

US00D391583S

United States Patent [19]
Moreno

[11] **Patent Number: Des. 391,583**
[45] **Date of Patent: **Mar. 3, 1998**

[54] **DIGGER TOOTH**
[75] **Inventor: Jorge Pallas Moreno, Premia De Mar, Spain**
[73] **Assignee: Metalogenia, S.A., Premia De Mar, Spain**
[**] **Term: 14 Years**

4,932,478 6/1990 Jones 172/699
5,325,615 7/1994 Hutchins et al. 37/452

Primary Examiner—Sandra L. Morris
Attorney, Agent, or Firm—Horst M. Kasper

[21] **Appl. No.: 55,901**
[22] **Filed: Jun. 14, 1996**

[57] **CLAIM**

The ornamental design for a digger tooth, as shown and described.

[30] **Foreign Application Priority Data**
Dec. 14, 1995 [ES] Spain 136465
[51] **LOC (6) Cl. 15-03**
[52] **U.S. Cl. D15/29**
[58] **Field of Search D15/10, 11, 25, D15/28, 29, 139; 37/446, 452-454; 172/699, 713**

DESCRIPTION

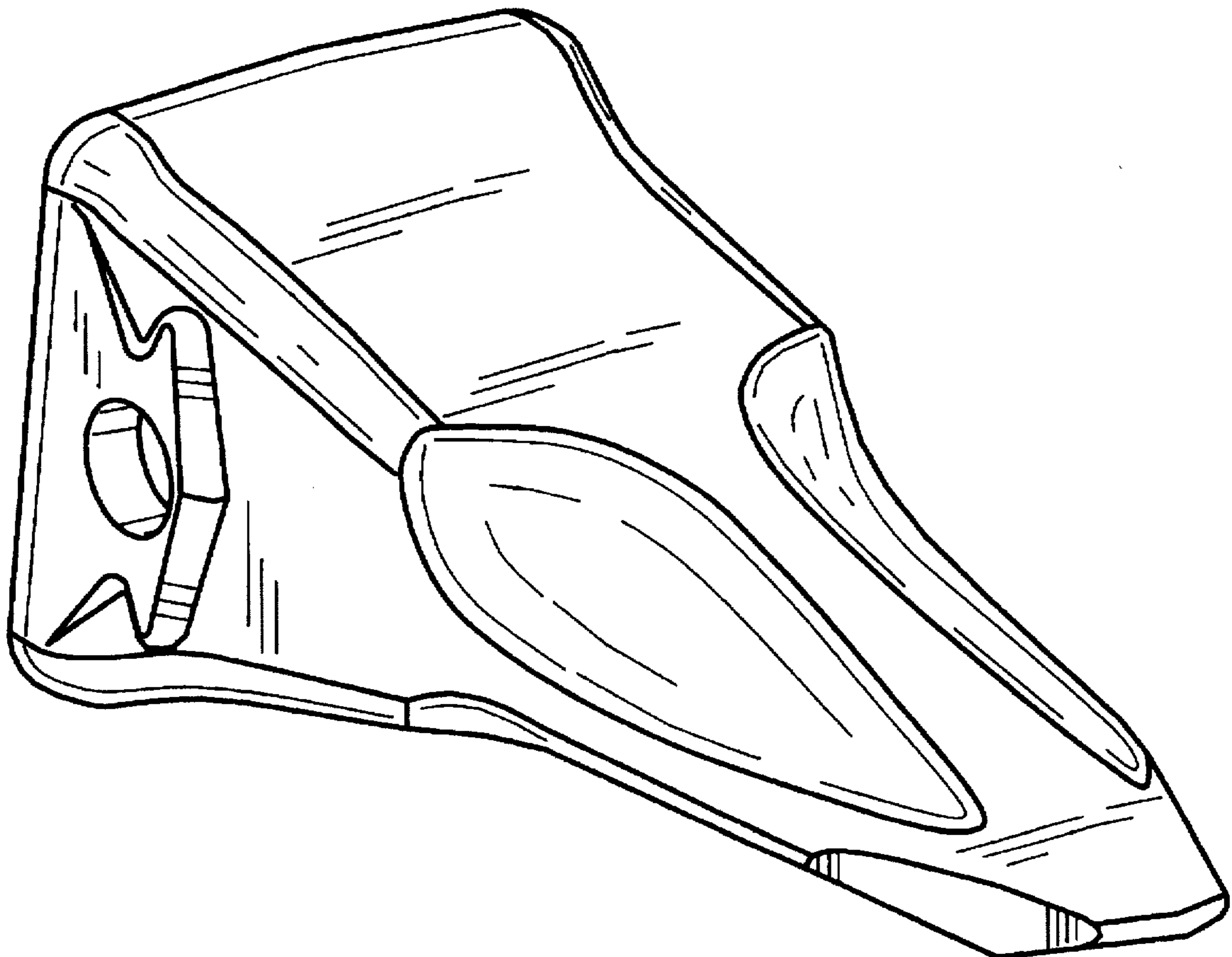
FIG. 1 is a perspective view of a digger tooth, showing my new design;
FIG. 2 is a sectional view, taken along line 2—2 of FIG. 3;
FIG. 3 is an upper plan view thereof;
FIG. 4 is a lower plan view thereof;
FIG. 5 is a side elevational view thereof, the other side being identical;
FIG. 6 is a front elevational view thereof;
FIG. 7 is a rear elevational view thereof;
FIG. 8 is a sectional view, taken along line 8—8 of FIG. 5;
FIG. 9 is a sectional view, taken along line 9—9 of FIG. 5;
FIG. 10 is a sectional view, taken along line 10—10 of FIG. 5; and,
FIG. 11 is a sectional view, taken along line 11—11 of FIG. 5.

[56] **References Cited**

U.S. PATENT DOCUMENTS

D. 328,466 8/1992 Robinson D15/29
D. 329,243 9/1992 Robinson D15/29
3,444,633 5/1969 Hensley 37/452
3,959,901 6/1976 Klett 172/713

1 Claim, 4 Drawing Sheets



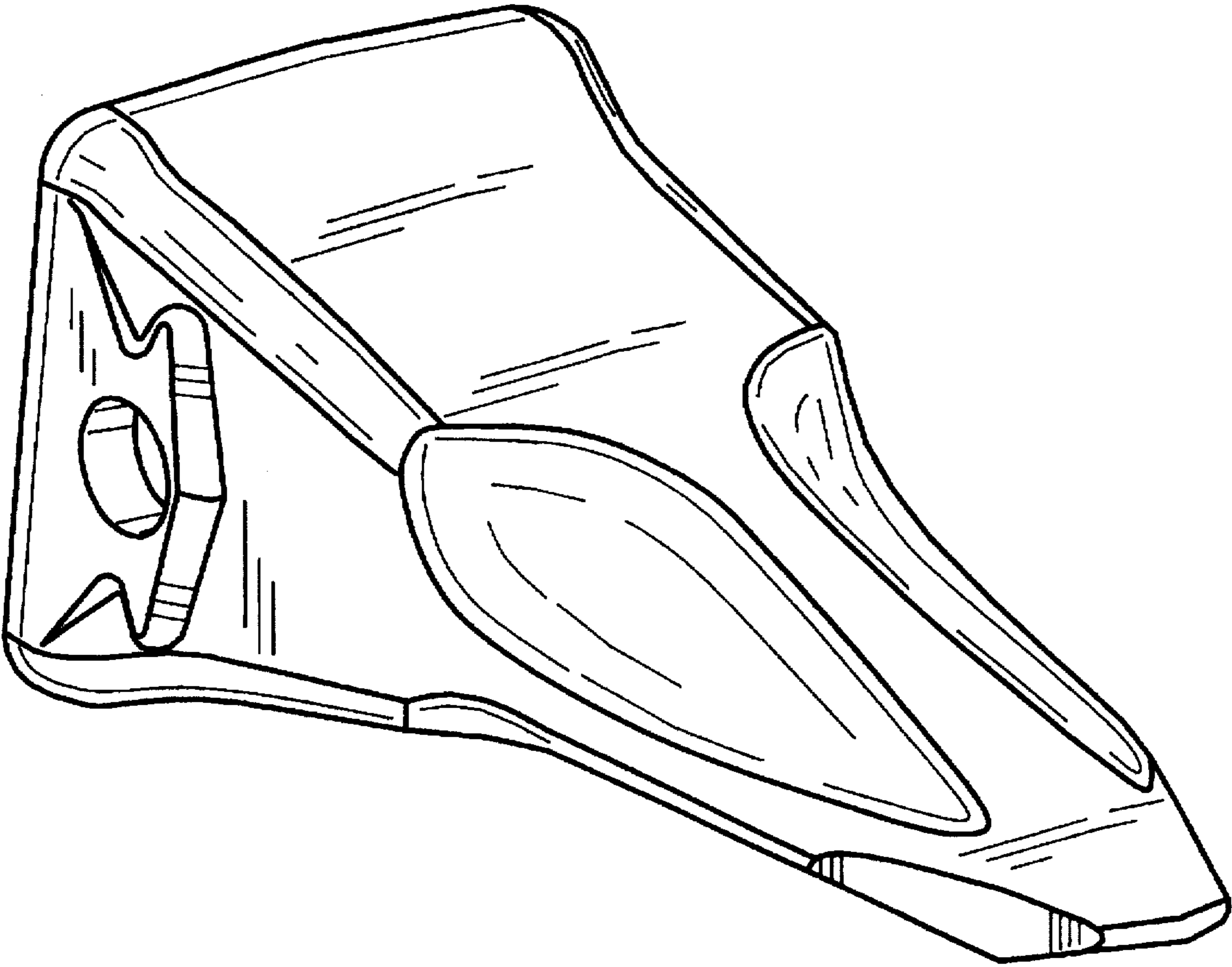


Fig. 1

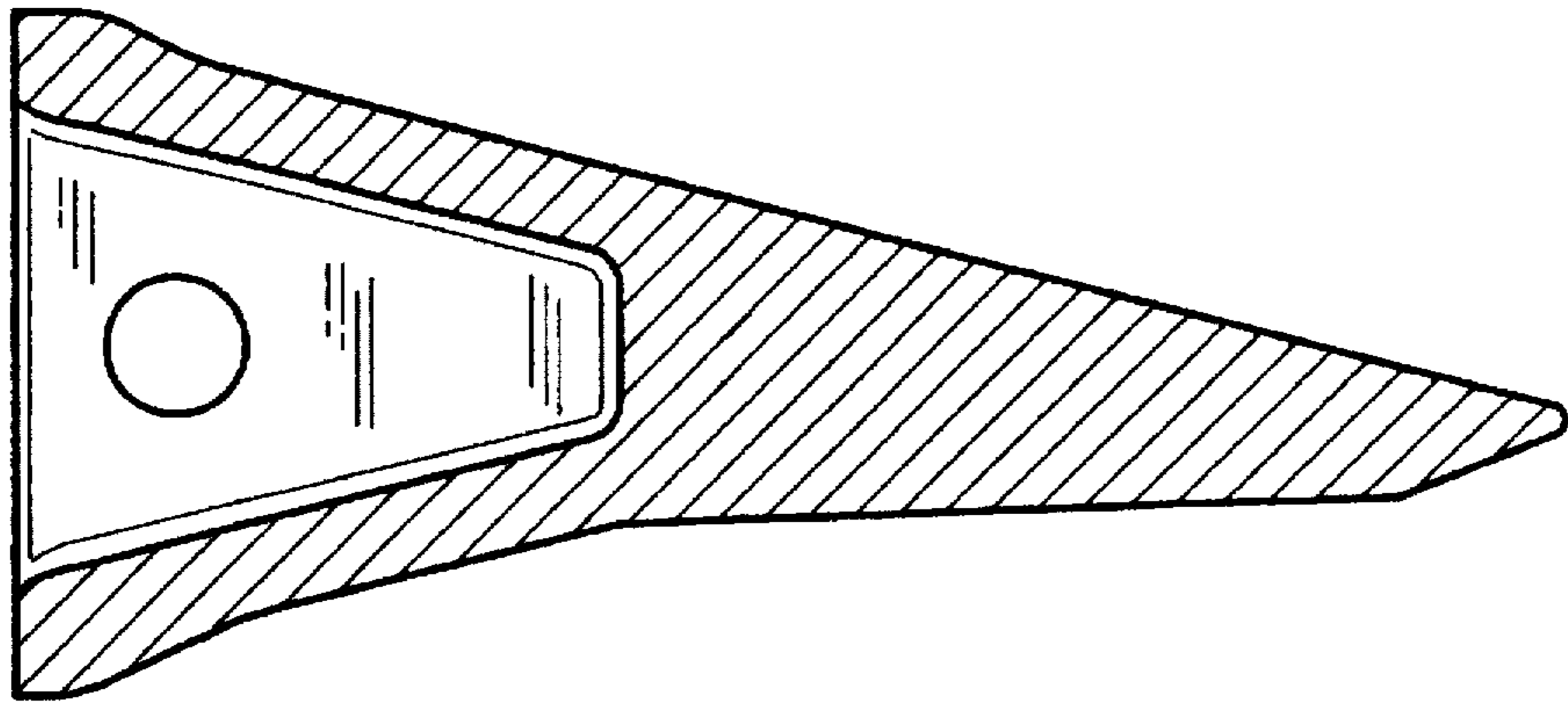


Fig. 2

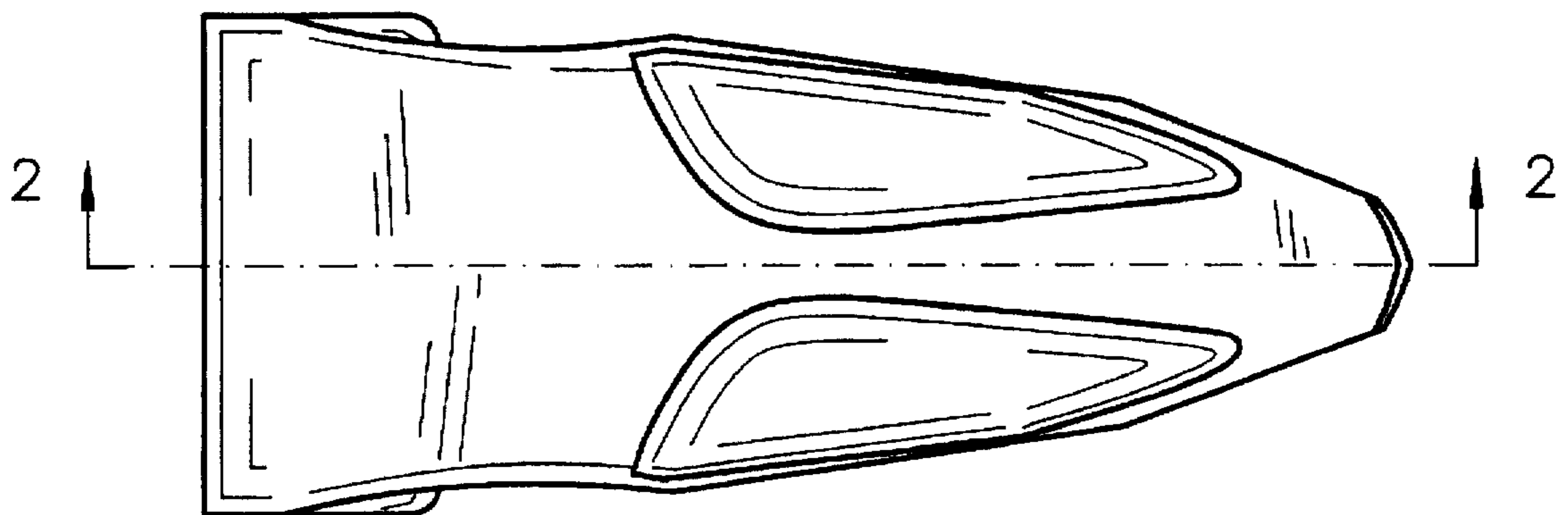


Fig. 3

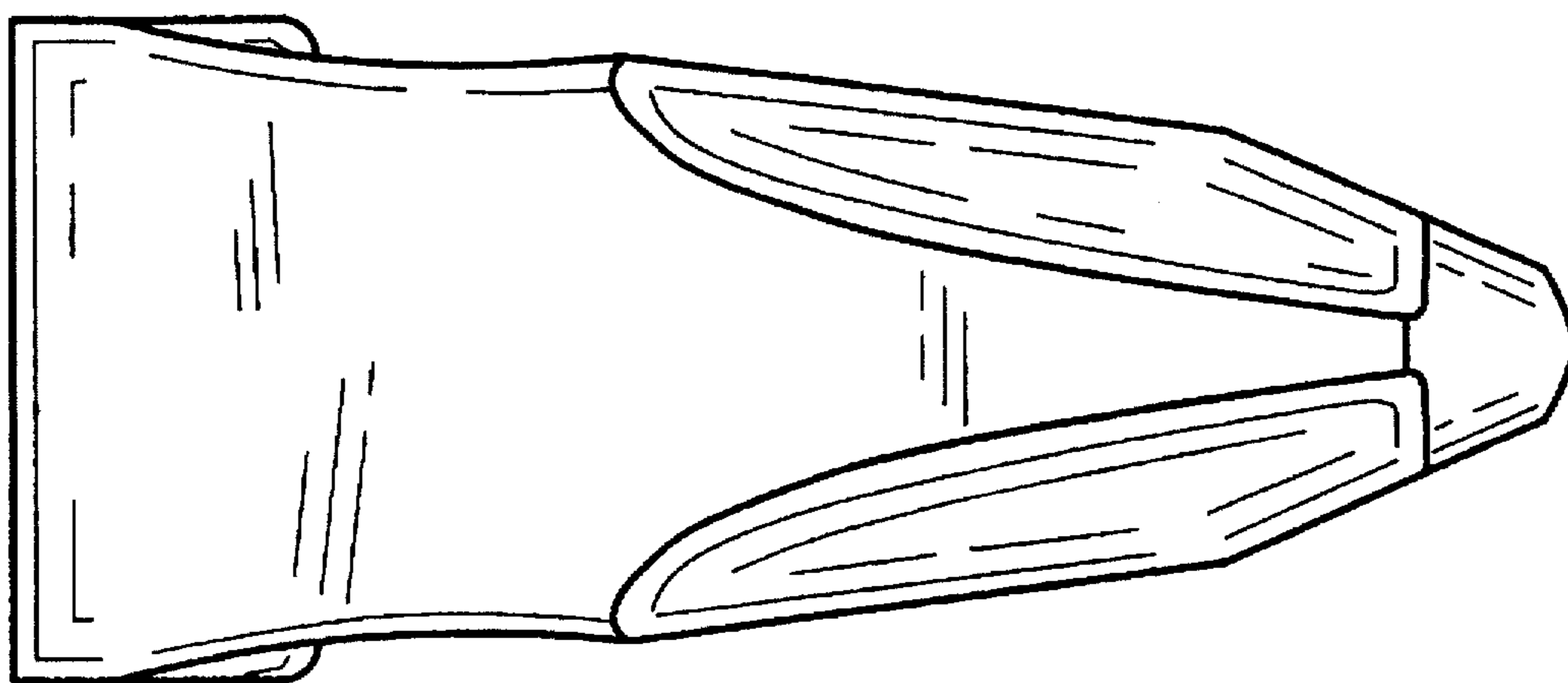


Fig.4

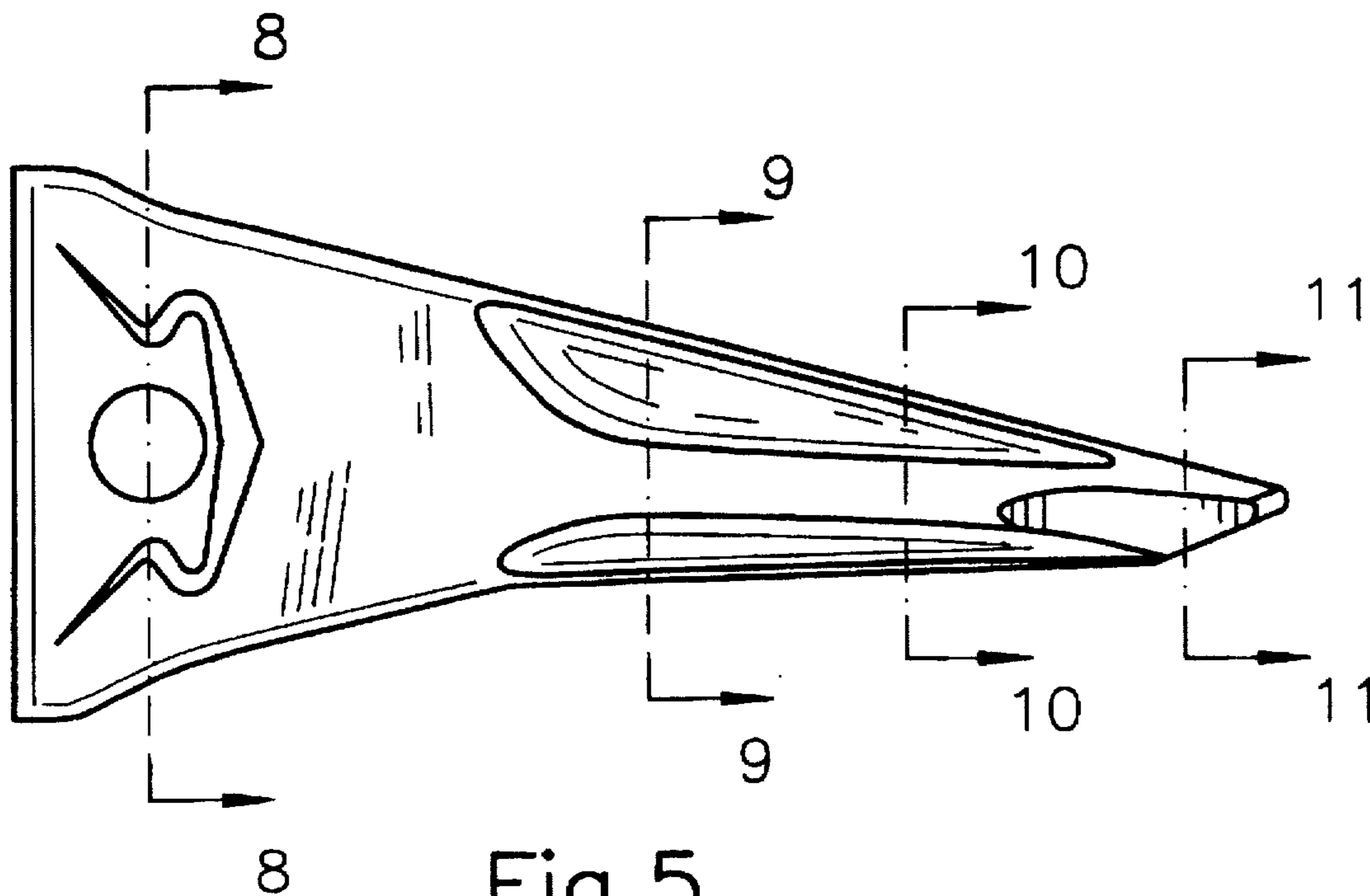


Fig.5

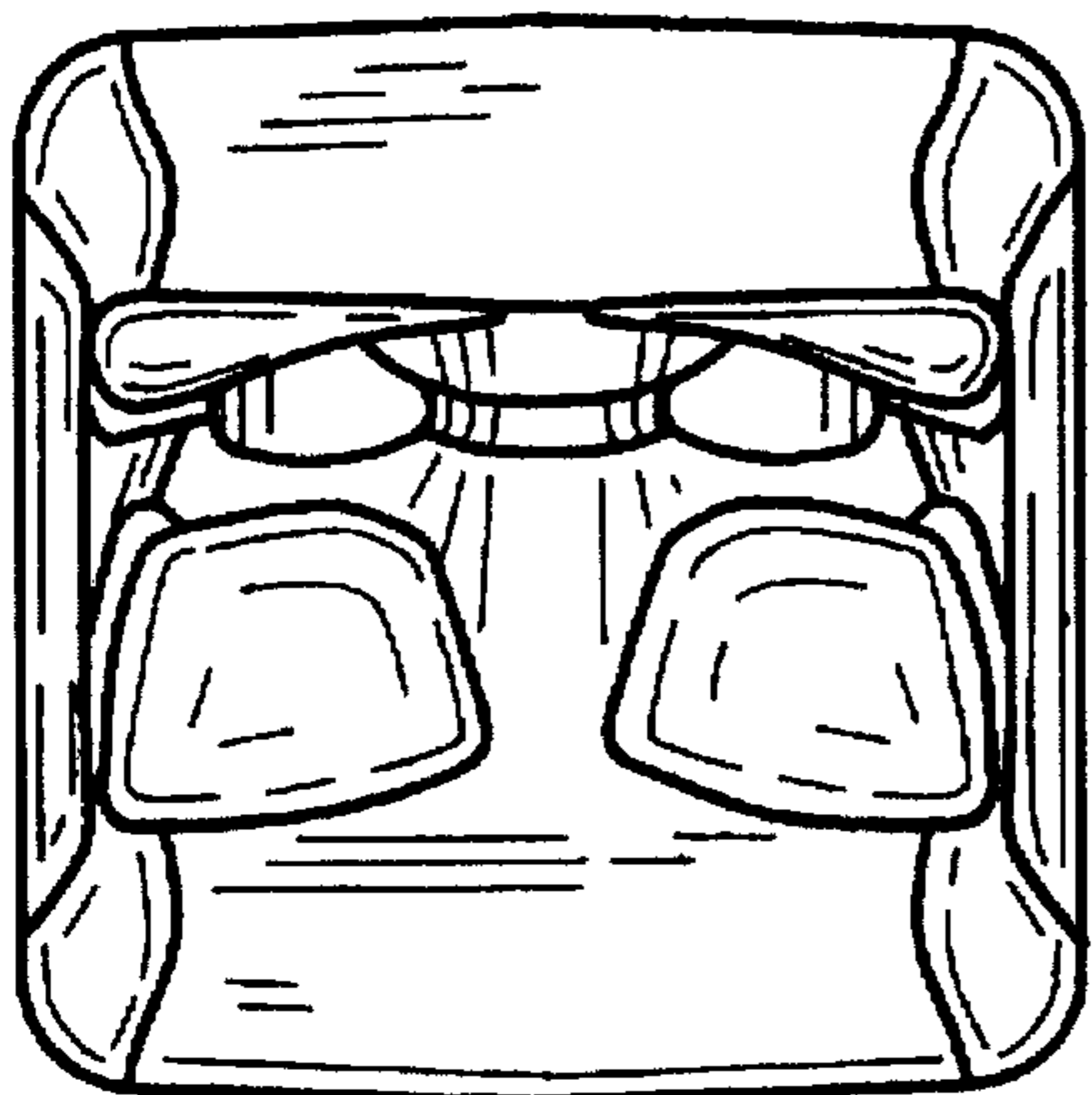


Fig. 6

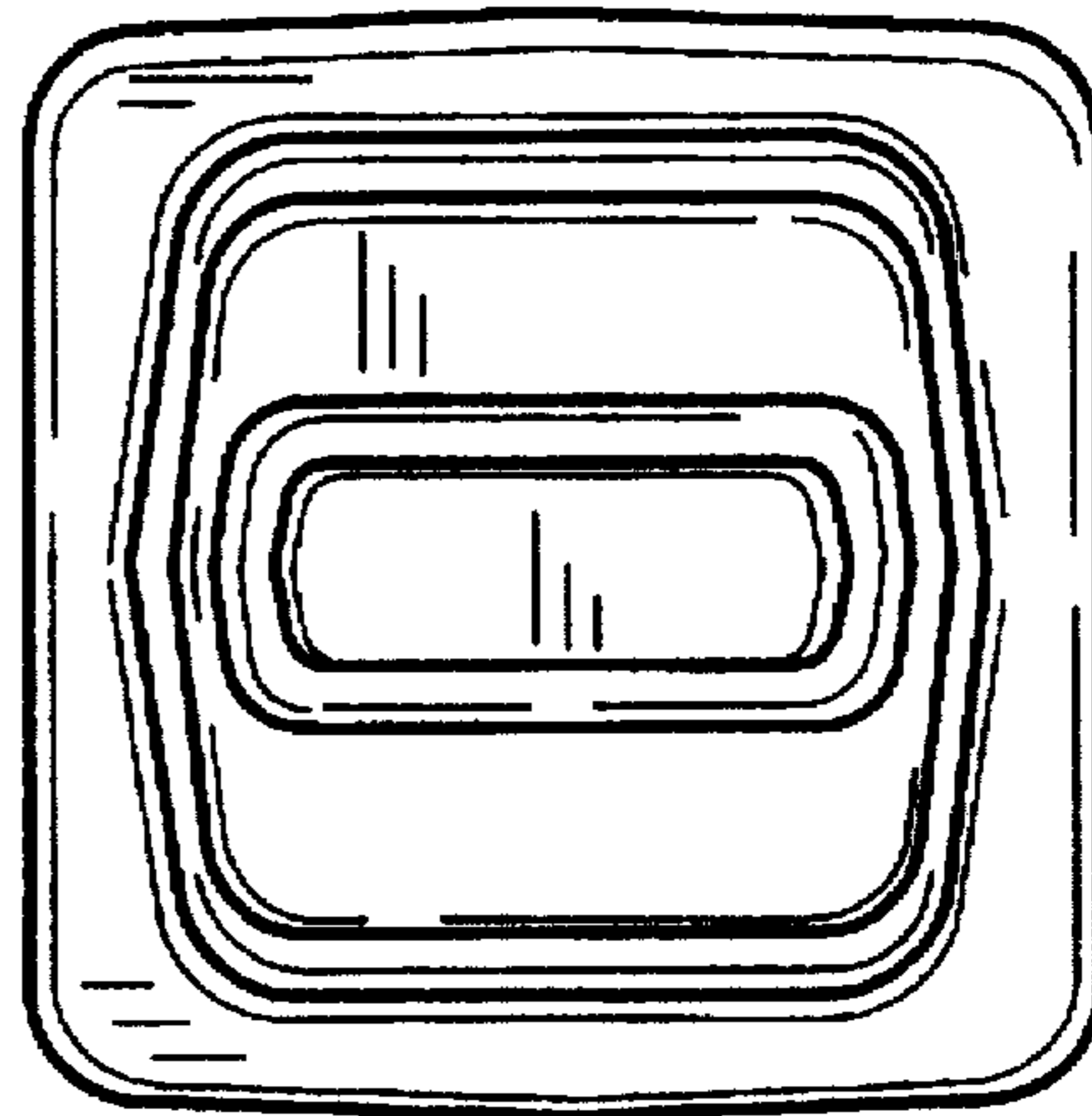


Fig. 7

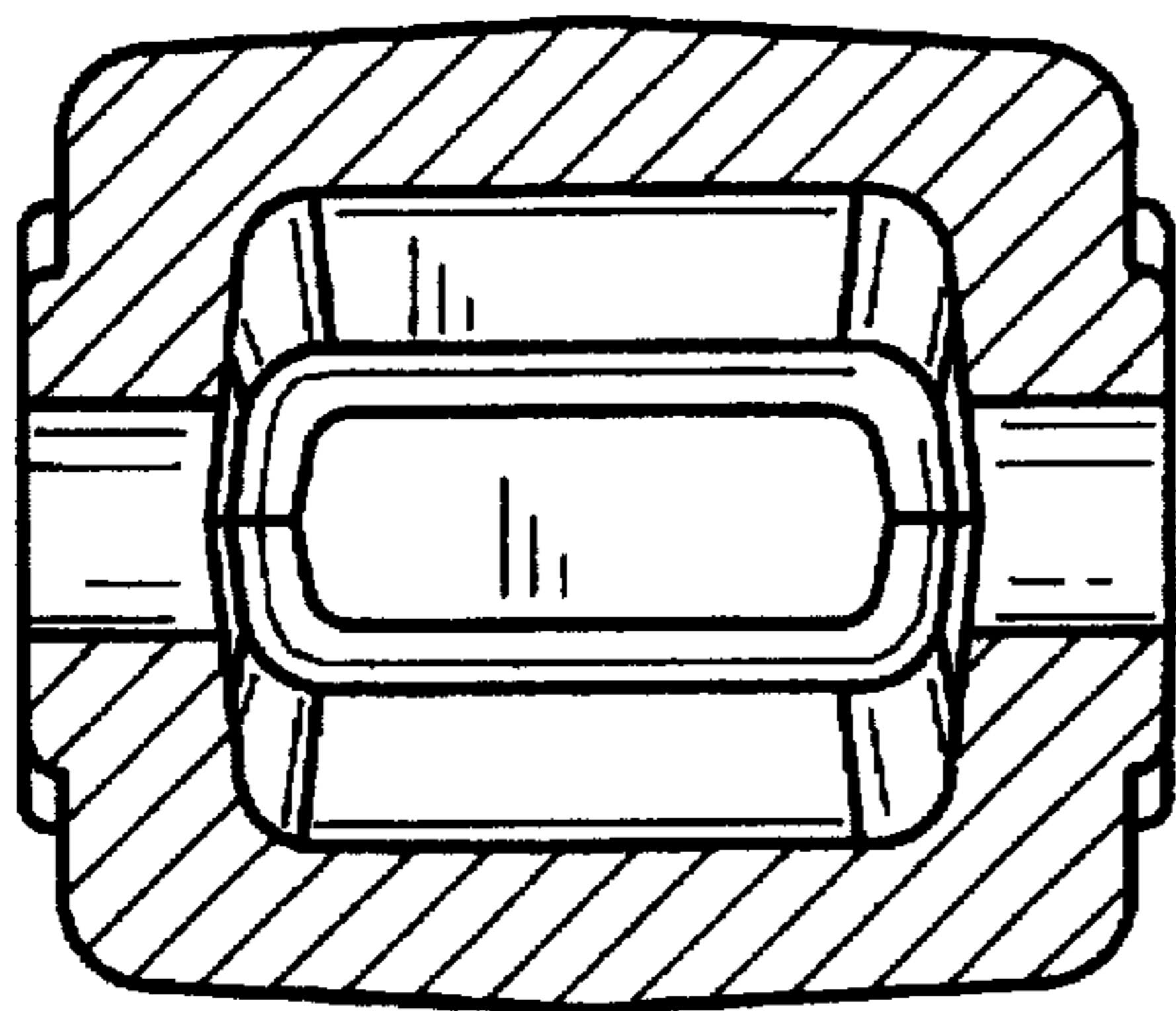


Fig. 8

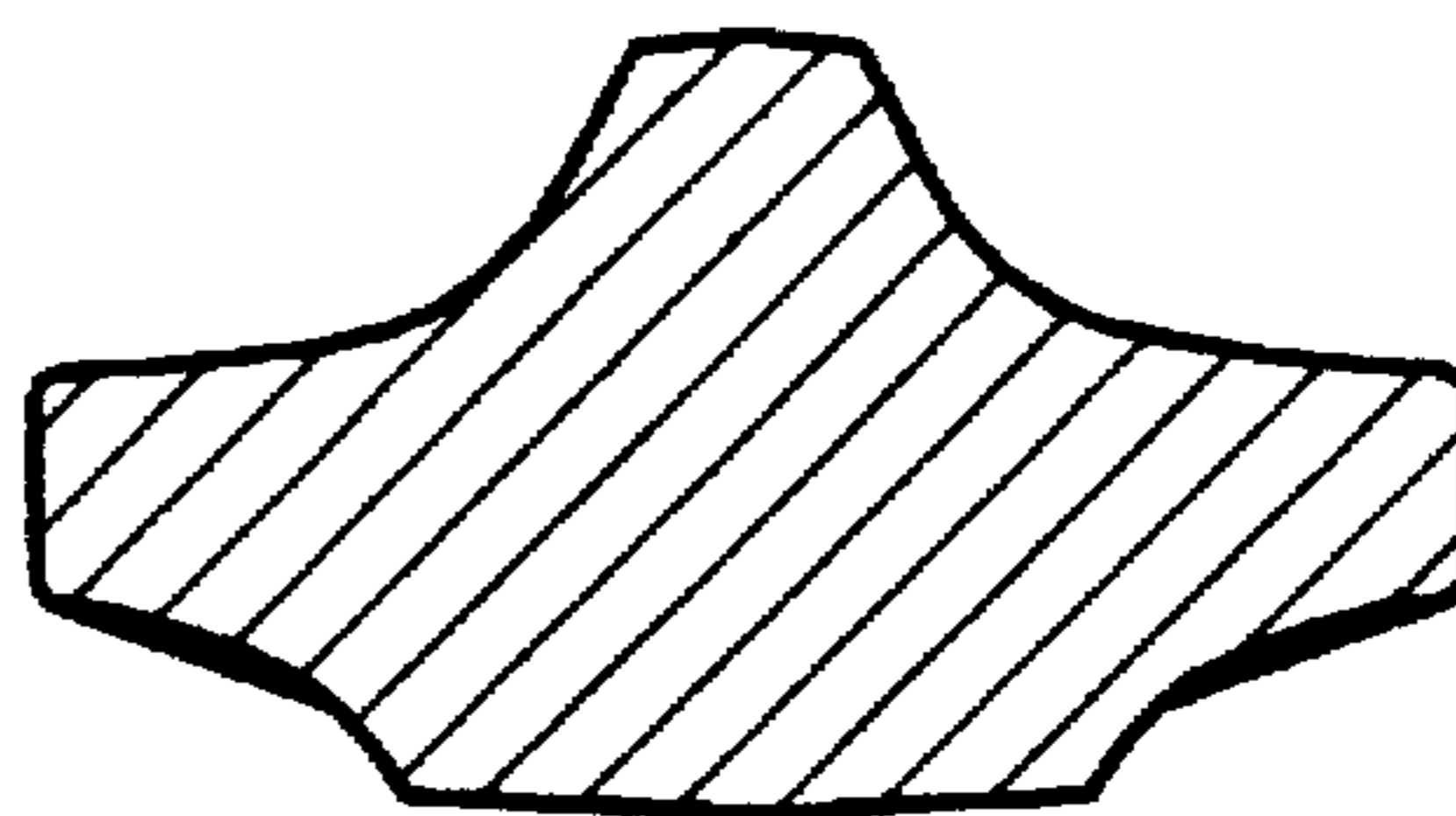


Fig. 9

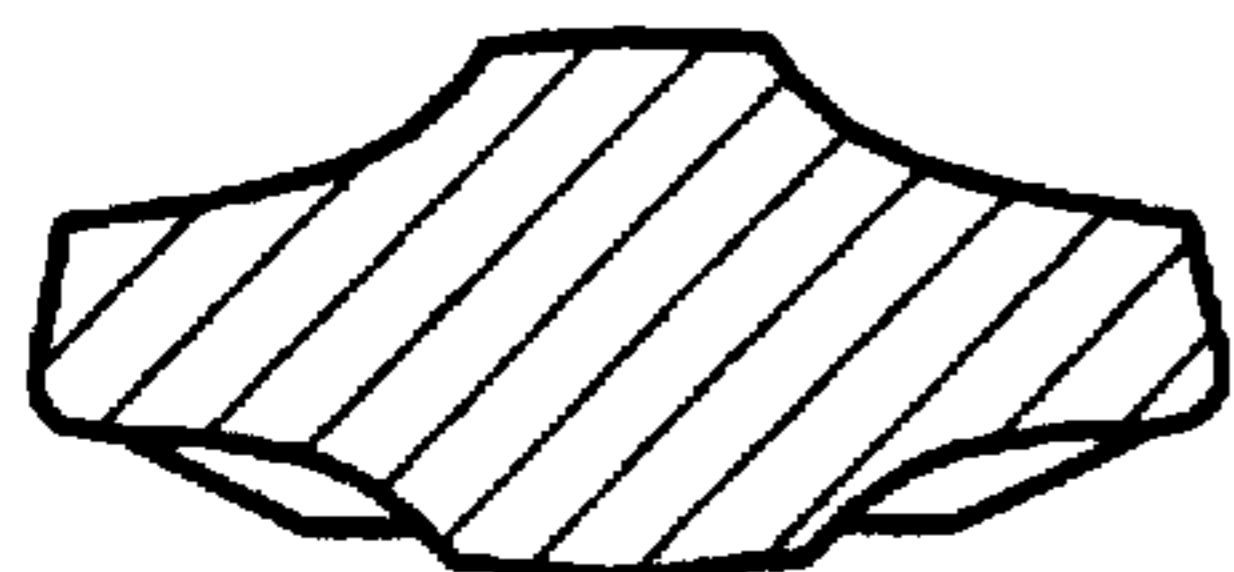


Fig. 10



Fig. 11