



US00D391579S

United States Patent [19]

Myers

[11] Patent Number: **Des. 391,579**

[45] Date of Patent: ****Mar. 3, 1998**

[54] **MOBILE DOUBLE DIAPHRAGM PUMP**

[76] Inventor: **Douglas D. Myers**, 6246 Riviera Manor Dr., Jacksonville, Fla. 32216

[**] Term: **14 Years**

[21] Appl. No.: **67,711**

[22] Filed: **Mar. 10, 1997**

[51] LOC (6) Cl. **15-02**

[52] U.S. Cl. **D15/7**

[58] Field of Search D15/7-9.1, 27;
417/231, 234

[56] **References Cited**

U.S. PATENT DOCUMENTS

D. 229,717	12/1973	Mixon	D15/7
D. 249,265	9/1978	Nanjo	D15/9
D. 367,071	2/1996	McKay	D15/27
2,685,404	8/1954	Wohlmeyer	417/234
2,733,661	2/1956	Surgi	417/234

Primary Examiner—Ralf Seifert
Attorney, Agent, or Firm—Arthur G. Yeager

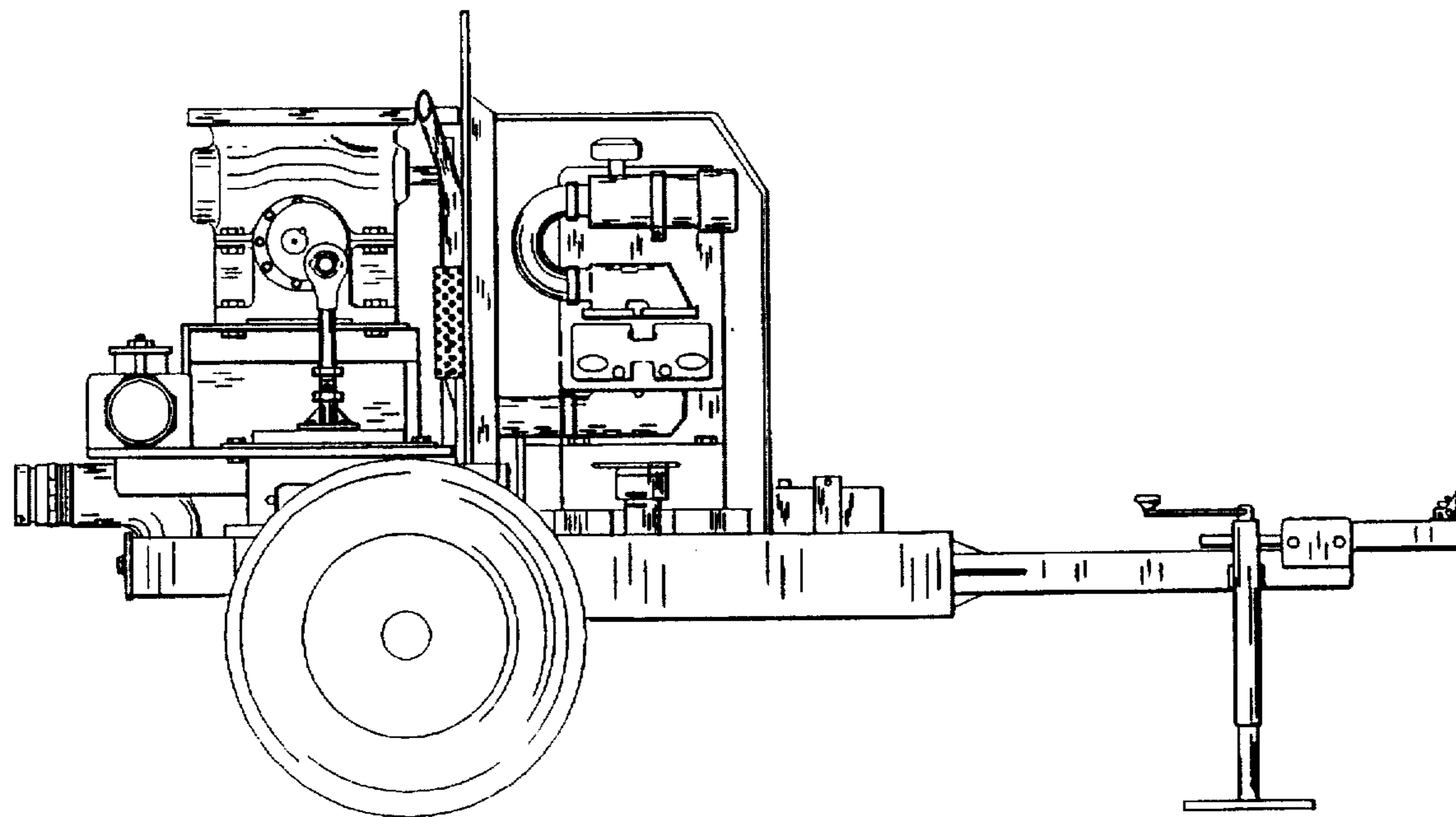
[57] **CLAIM**

The ornamental design for a mobile double diaphragm pump, as shown.

DESCRIPTION

FIG. 1 is a side elevational view of a mobile double diaphragm pump showing my new design;
 FIG. 2 is a top plan view thereof;
 FIG. 3 is a rear end elevational view thereof;
 FIG. 4 is a front end elevational view thereof;
 FIG. 5 is a bottom plan view thereof;
 FIG. 6 is a front elevationl view of a mobile double diaphragm pump showing a second embodiment of my new design, all other views are like those shown in FIGS. 1, 2, 3, and 5 except for the engine cover;
 FIG. 7 is a front elevationl view of a mobile double diaphragm pump showing a third embodiment of my new design;
 FIG. 8 is a top plan view of FIG. 7; and
 FIG. 9 is a side elevational view of FIG. 7; all other views not shown of the third embodiment are like those shown in FIGS. 3 and 5 except for the engine cover.

1 Claim, 5 Drawing Sheets



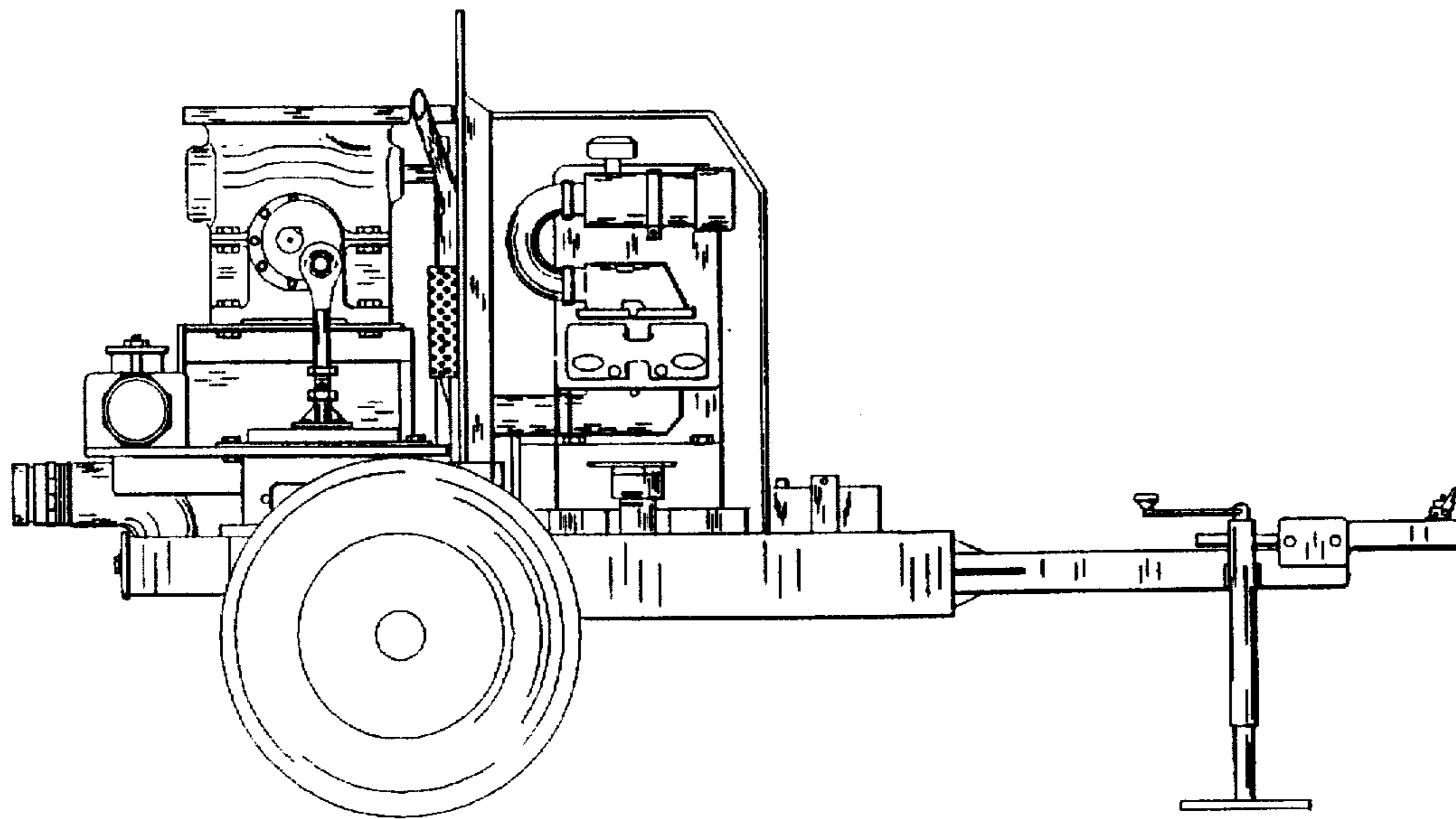


FIG. 1

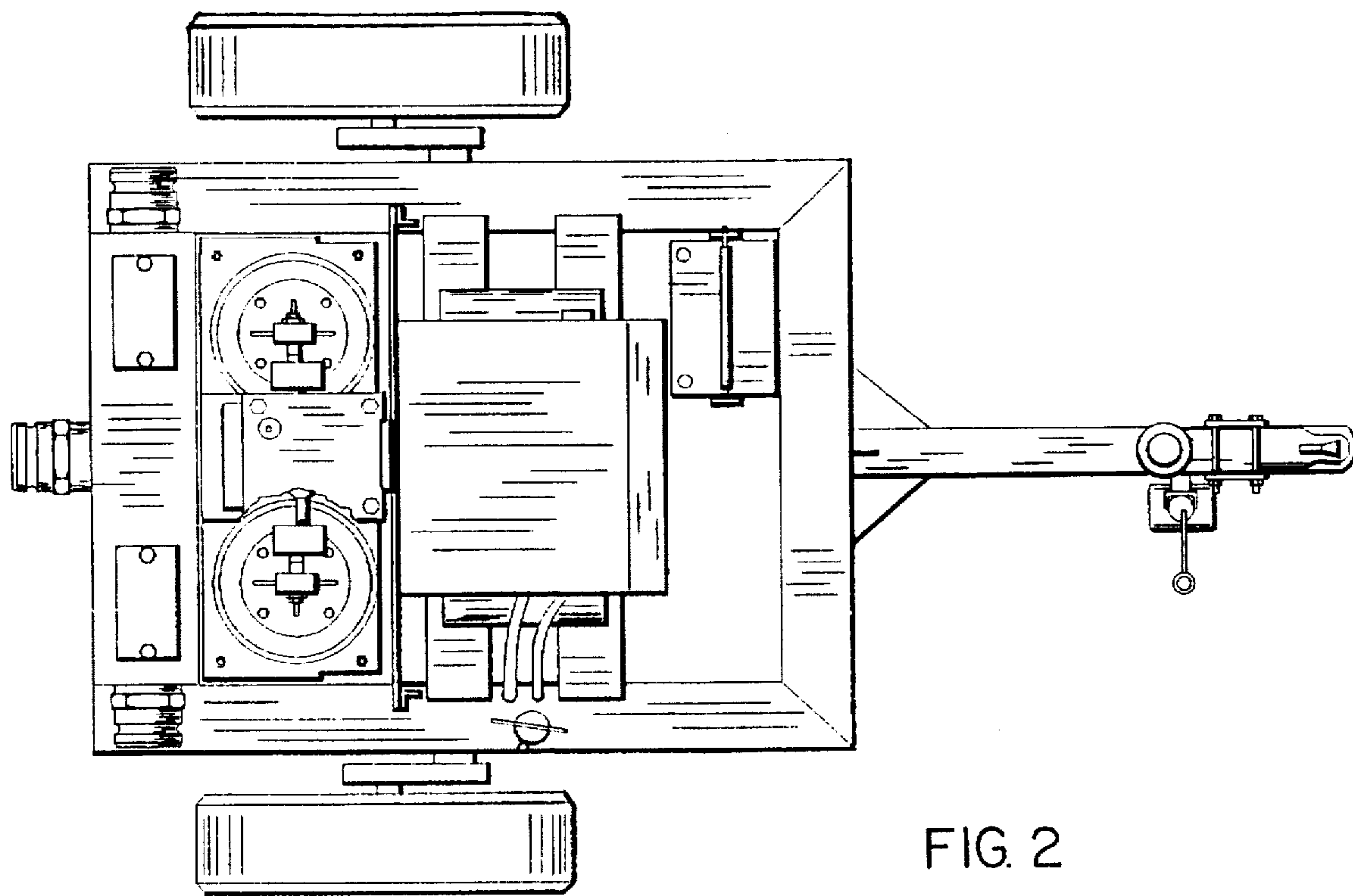


FIG. 2

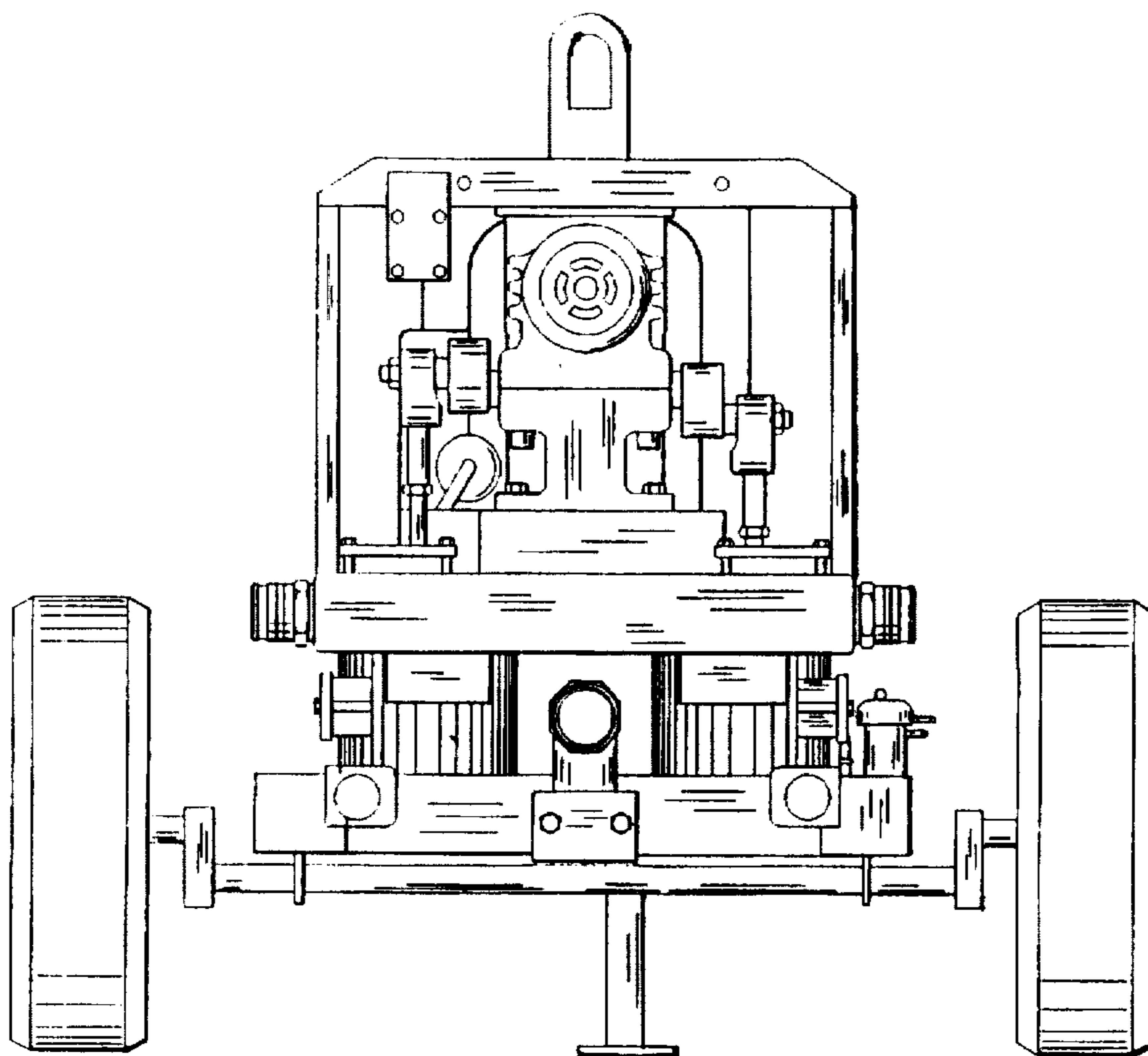


FIG. 3

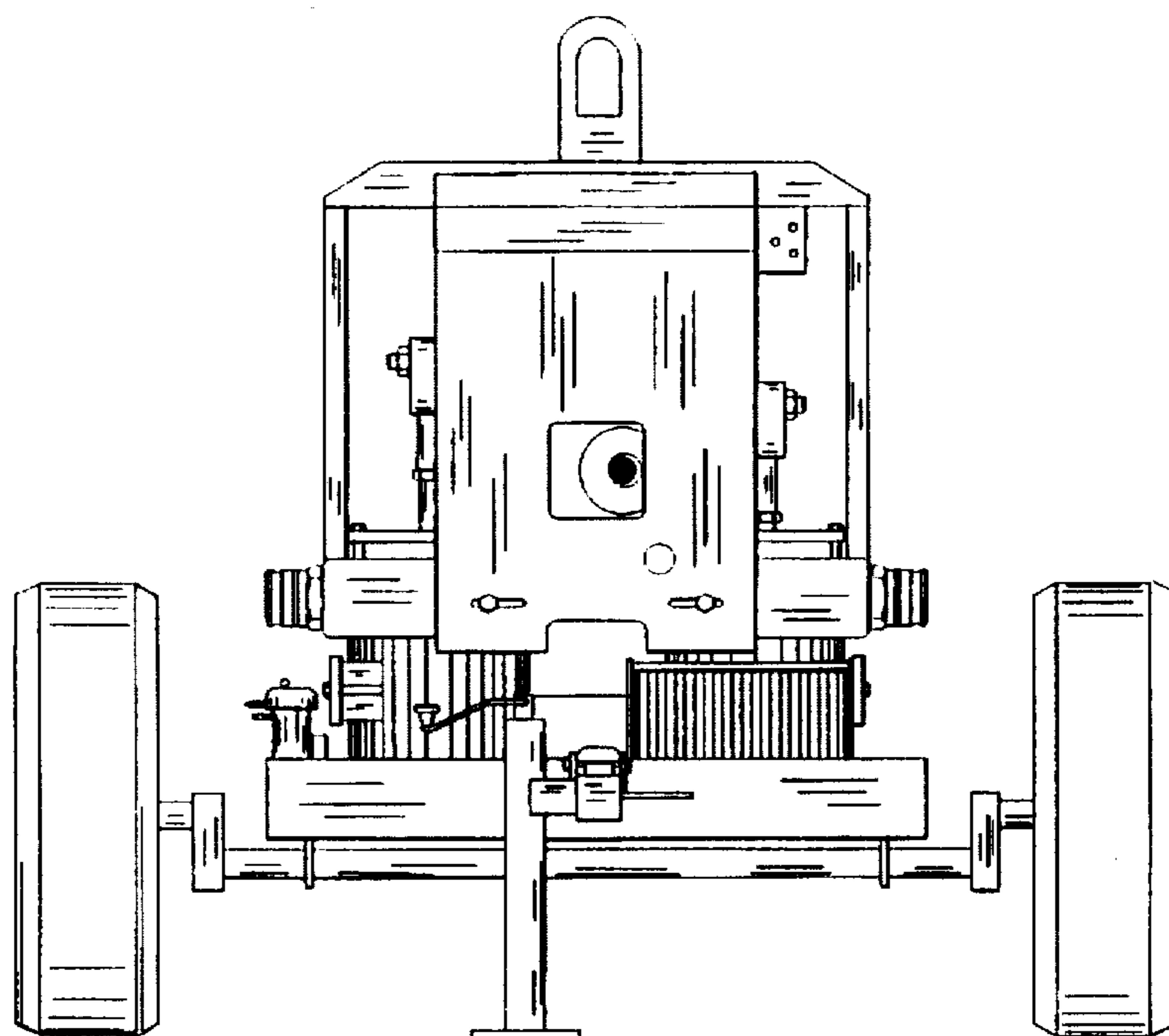


FIG. 4

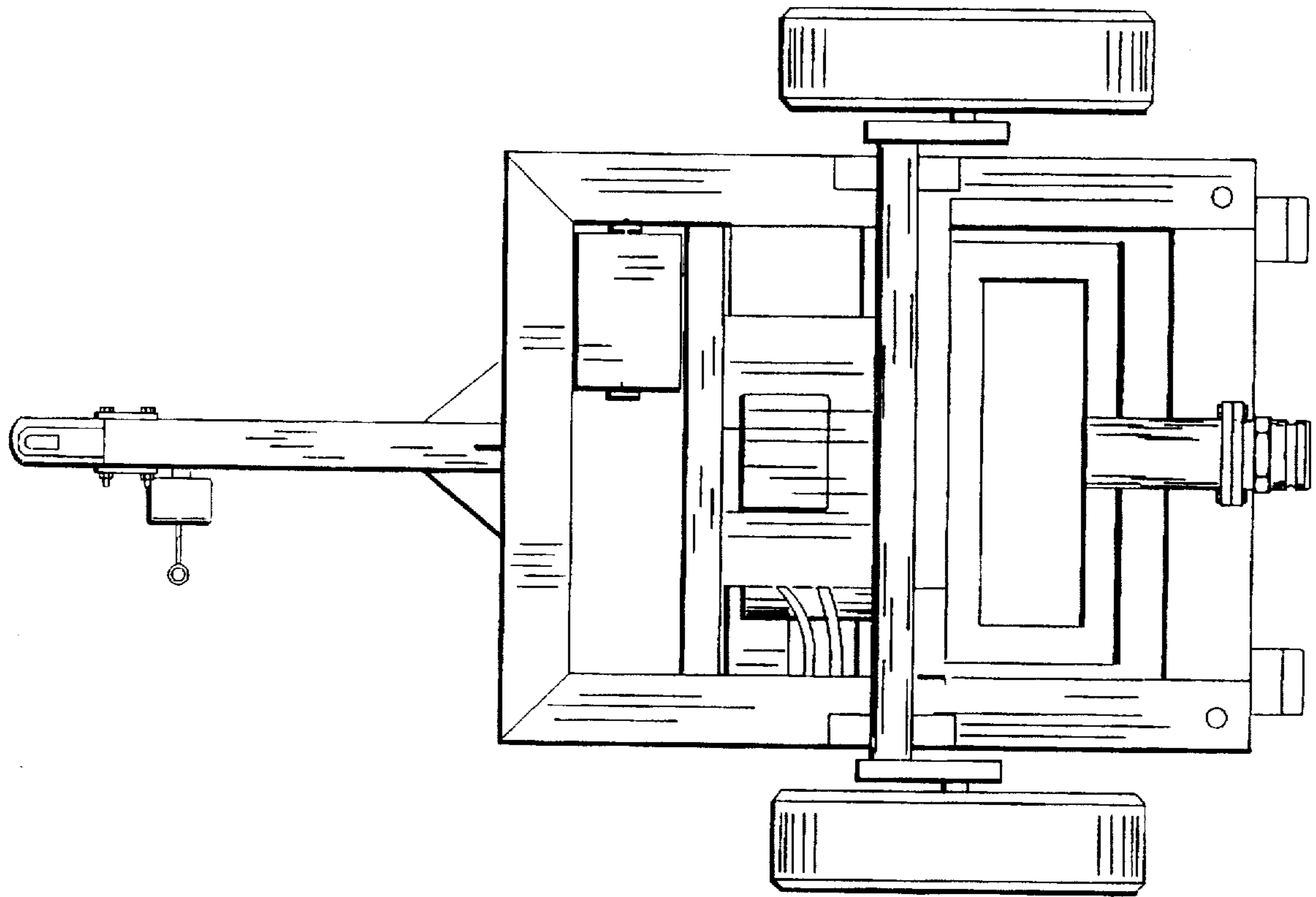


FIG. 5

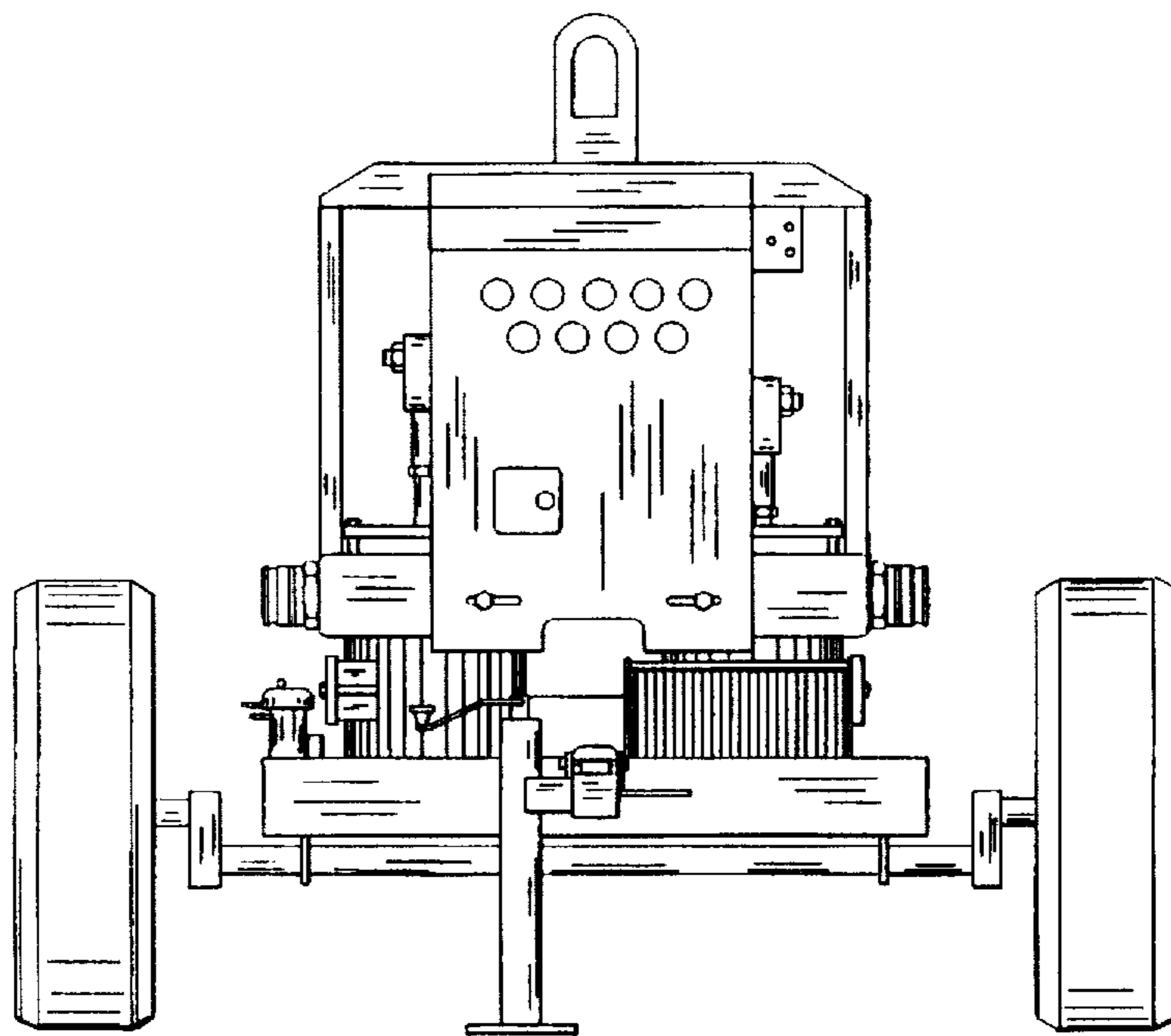


FIG. 6

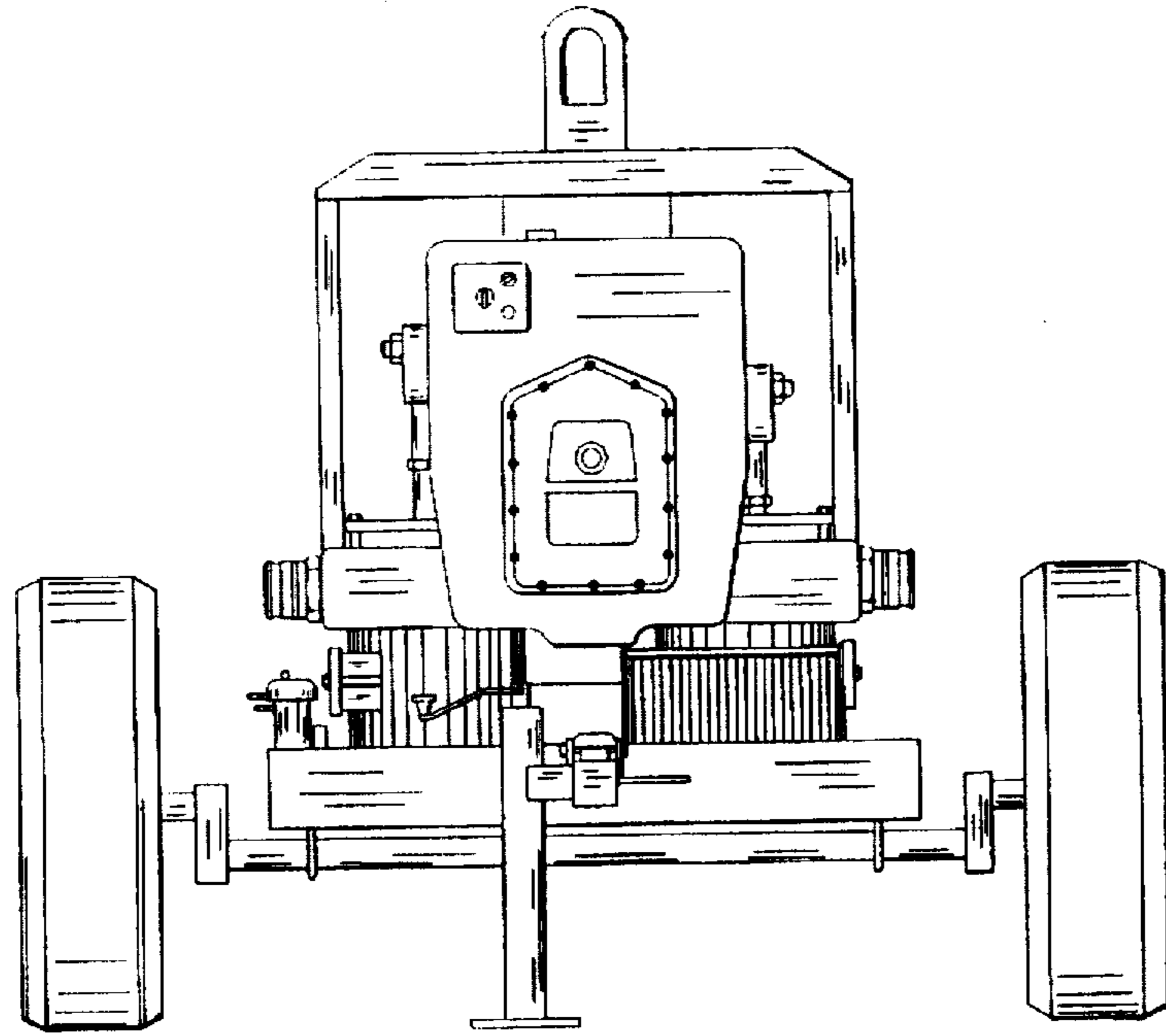


FIG. 7

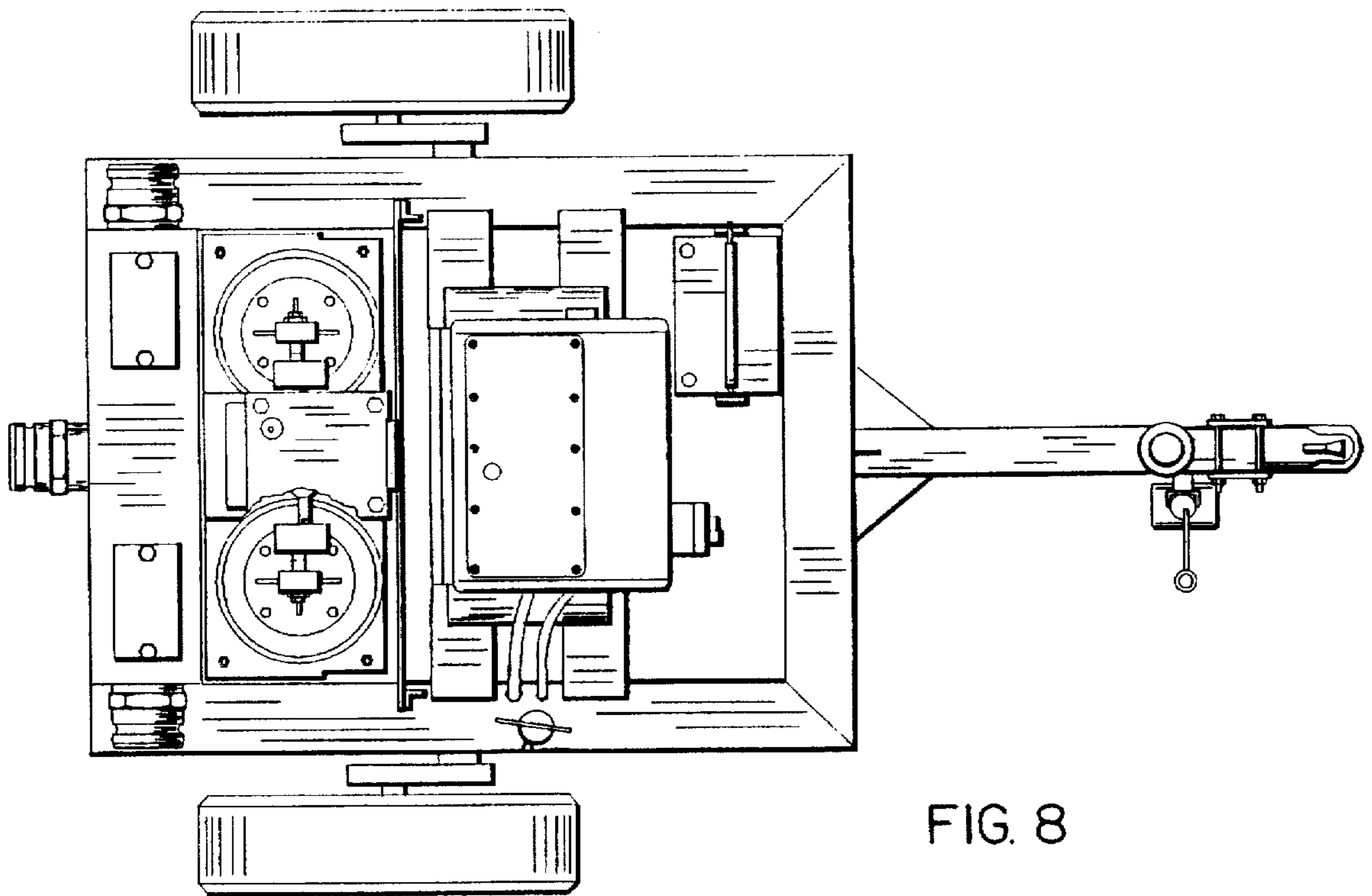


FIG. 8

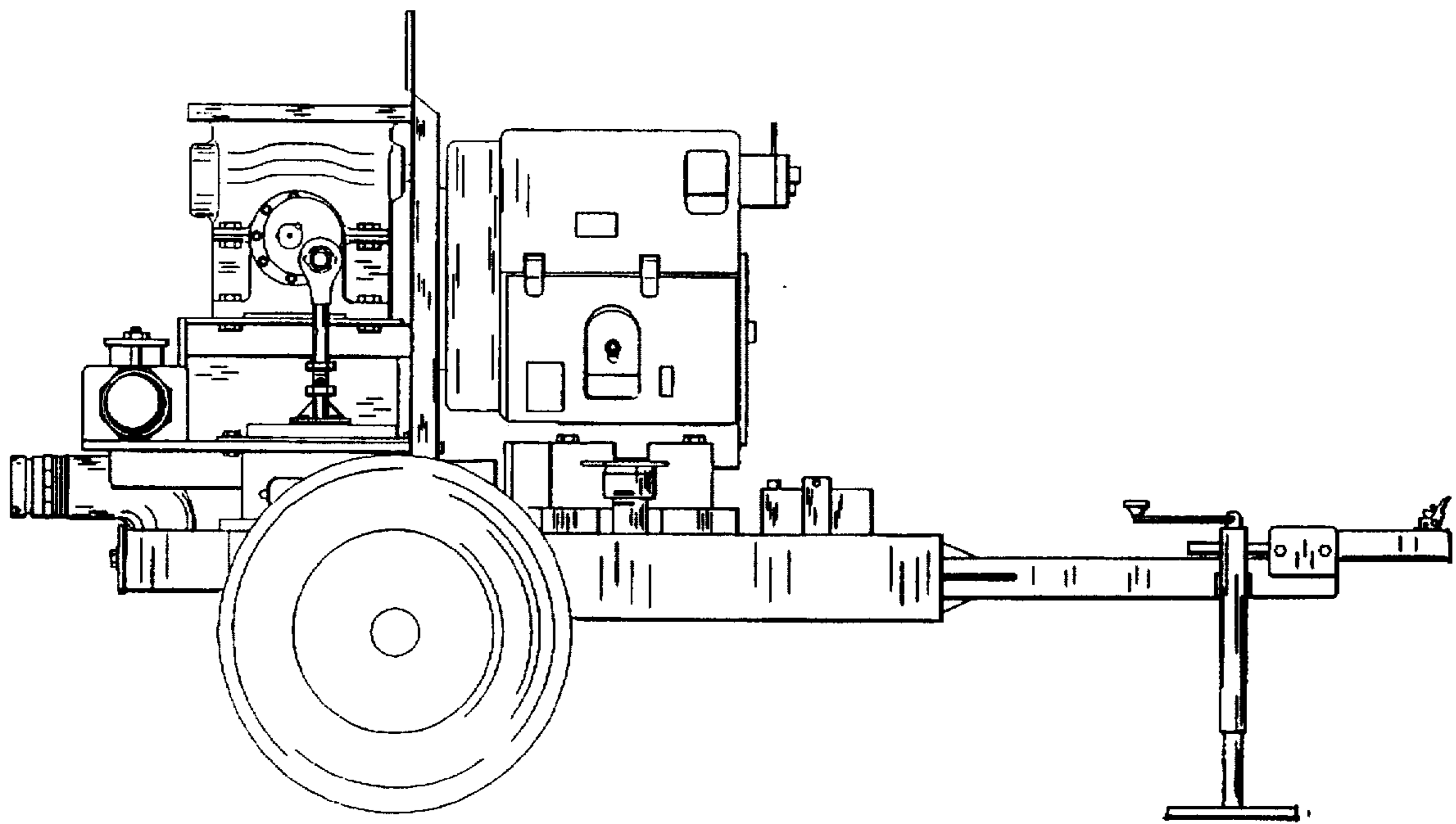


FIG. 9