

US00D391574S

United States Patent [19]
Chen

[11] **Patent Number:** **Des. 391,574**
[45] **Date of Patent:** ****Mar. 3, 1998**

[54] **LOUDSPEAKER**

[75] **Inventor:** **Ching-Chen Chen, Taichung Hsien, Taiwan**
[73] **Assignee:** **Kostar Electronics Co., Ltd., Taichung Hsien, Taiwan**
[**] **Term:** **14 Years**
[21] **Appl. No.:** **66,958**
[22] **Filed:** **Feb. 28, 1997**

[51] **LOC (6) Cl.** **14-01**
[52] **U.S. Cl.** **D14/211; D14/214**
[58] **Field of Search** **D14/204, 207, D14/209-216; 181/144-145, 147-148, 150, 153, 157, 198-199; 381/24, 87-90, 159, 186, 188, 203, 205**

[56] **References Cited**

U.S. PATENT DOCUMENTS

D. 229,618 12/1973 Teruachi et al. D14/211
D. 318,054 7/1991 Kikutani D14/210 X
D. 335,497 5/1993 Petterson, Jr. et al. D14/214 X
D. 363,485 10/1995 Pierce D14/214

OTHER PUBLICATIONS

Circute City Circular, Washington Post, 8-watt Powered Computer Loudspeakers, Jun. 1994.

Primary Examiner—Ted Shooman
Assistant Examiner—Nanda Bondade
Attorney, Agent, or Firm—Dellett and Walters

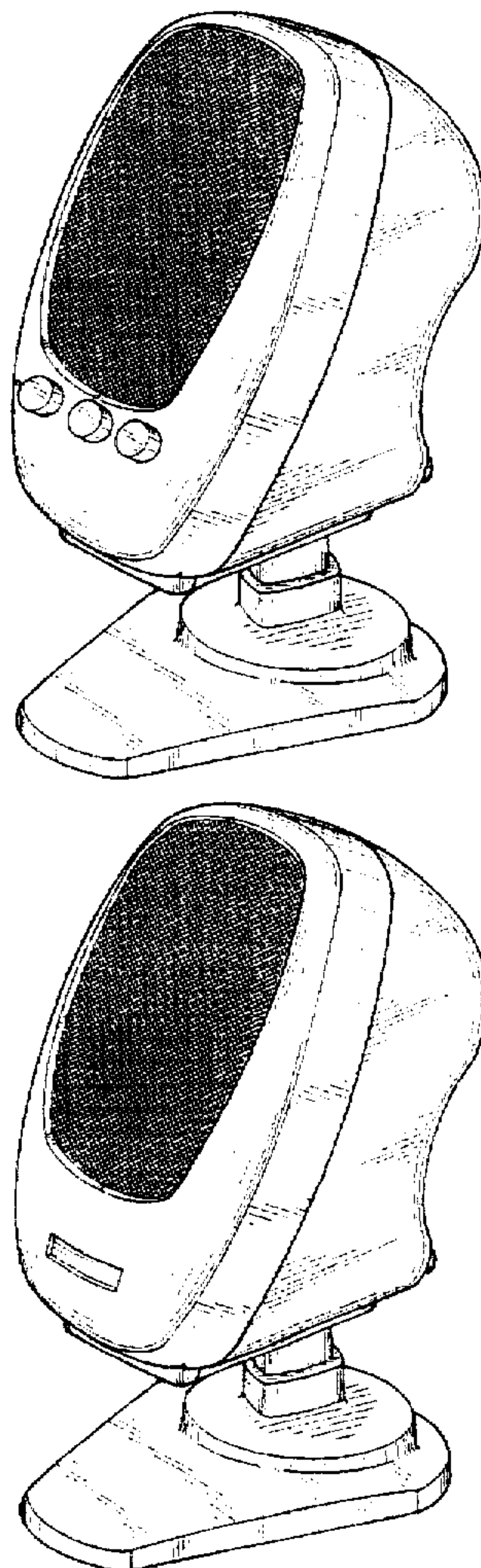
[57] **CLAIM**

The ornamental design for a loudspeaker, as shown and described.

DESCRIPTION

FIG. 1 is a front-right-top perspective view of a loudspeaker, showing my new design;
FIG. 2 is a front elevational view thereof;
FIG. 3 is a rear elevational view thereof;
FIG. 4 is a left elevational view thereof;
FIG. 5 is a right elevational view thereof;
FIG. 6 is a top plan view thereof;
FIG. 7 is a bottom plan view thereof; and,
FIG. 8 is a front, right and top perspective view of a second embodiment of FIG. 1, the left side view being a mirror image of the right side view.

1 Claim, 5 Drawing Sheets



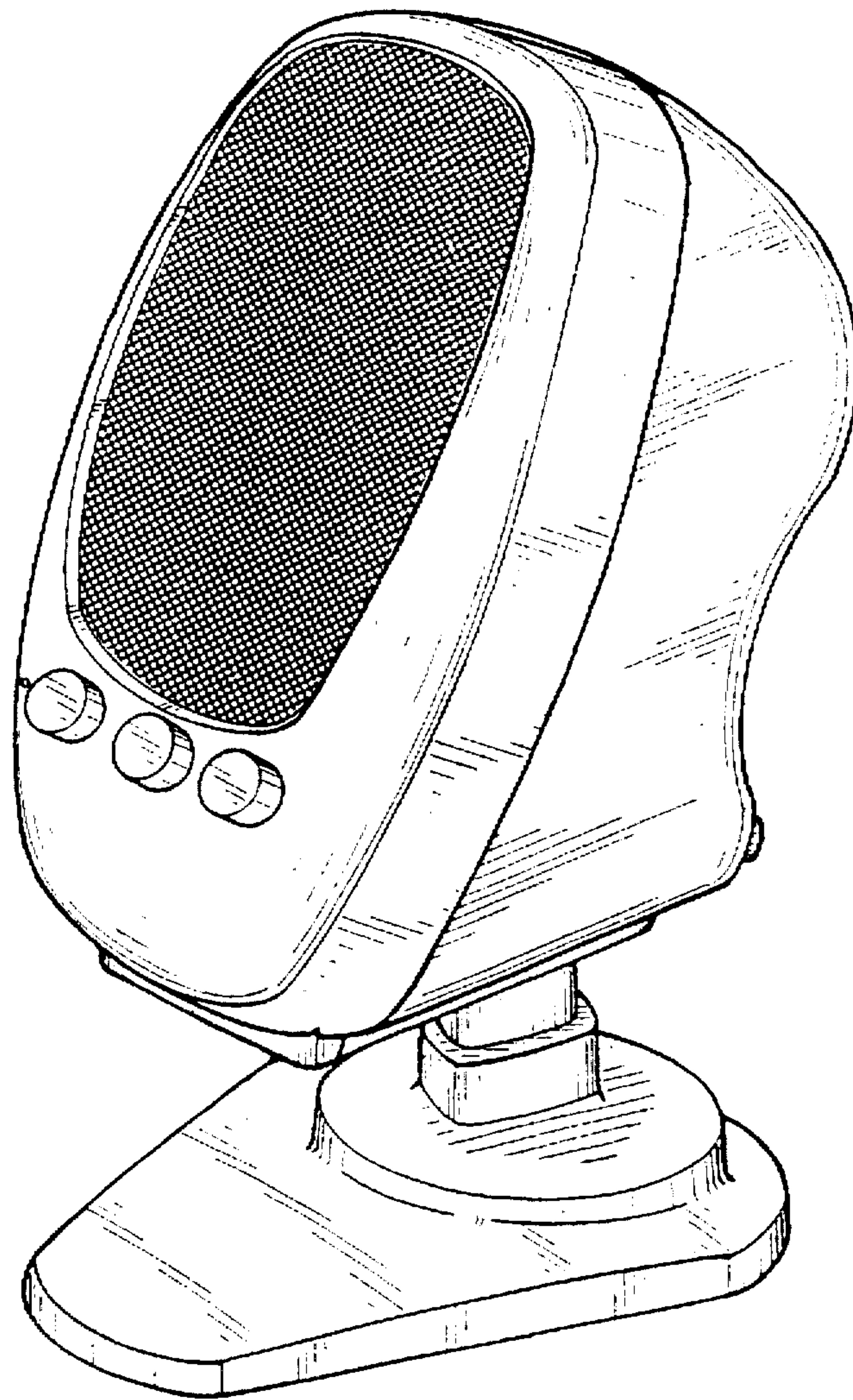


FIG. 1

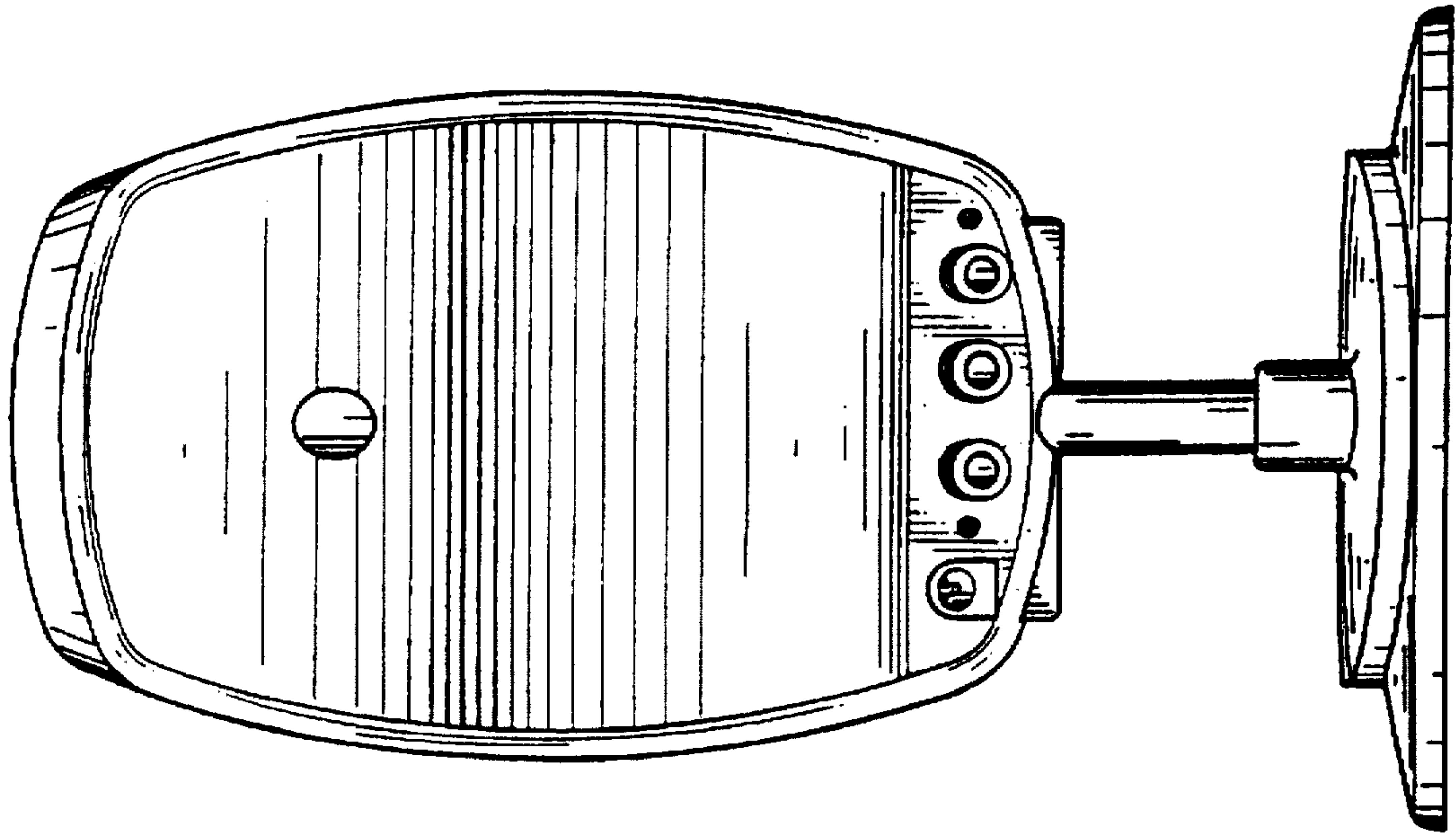


FIG.3

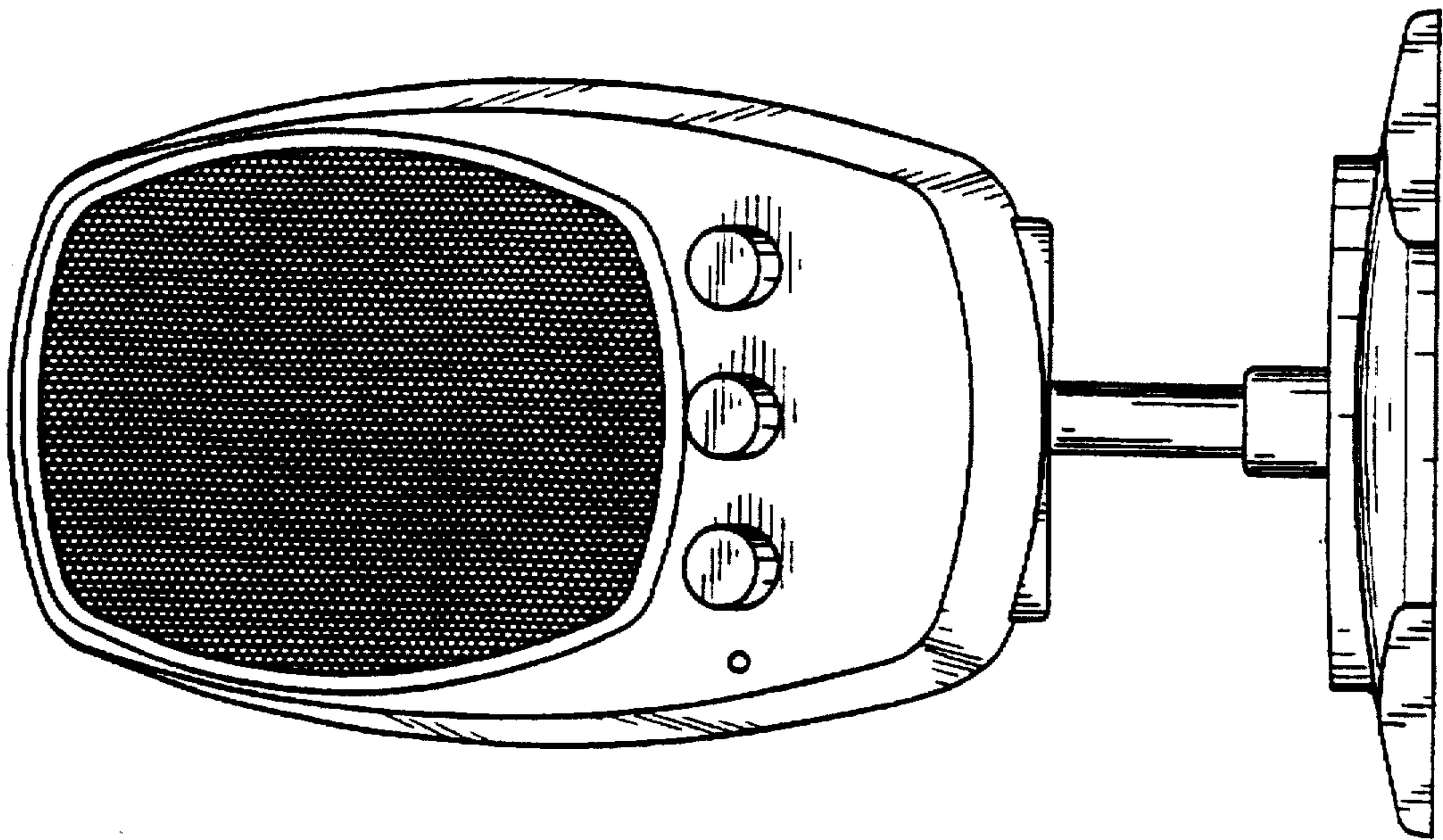


FIG.2

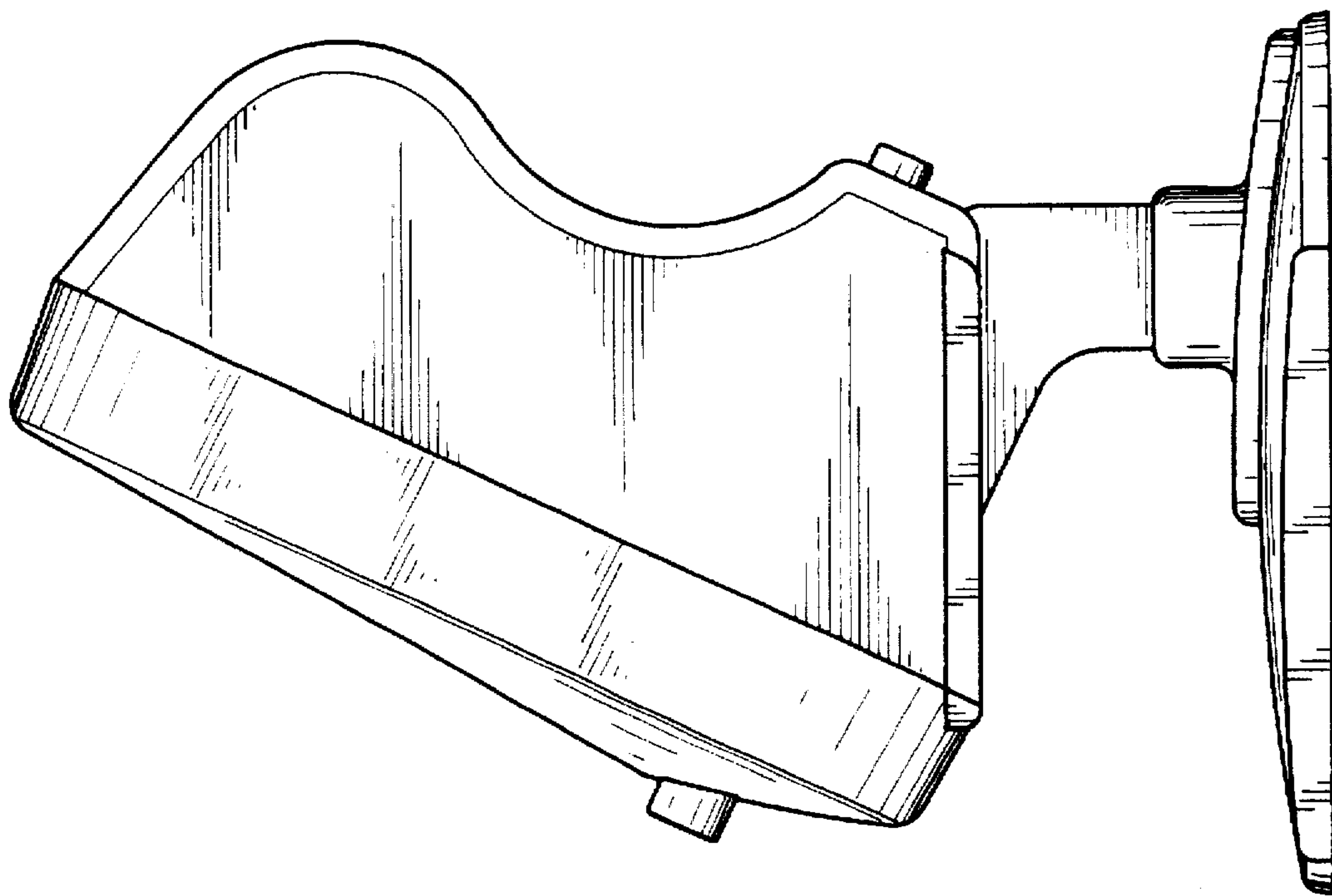


FIG.5

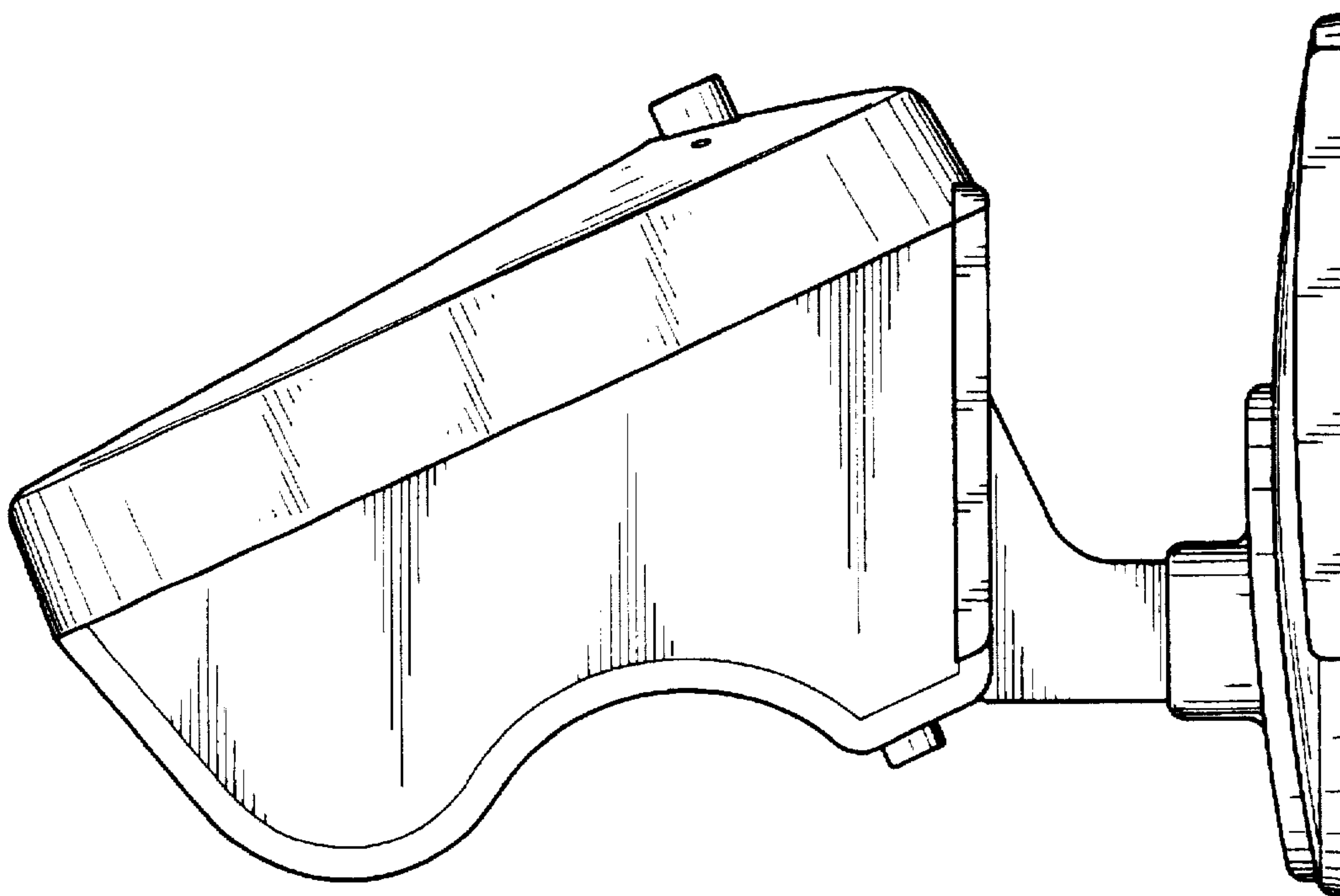


FIG.4

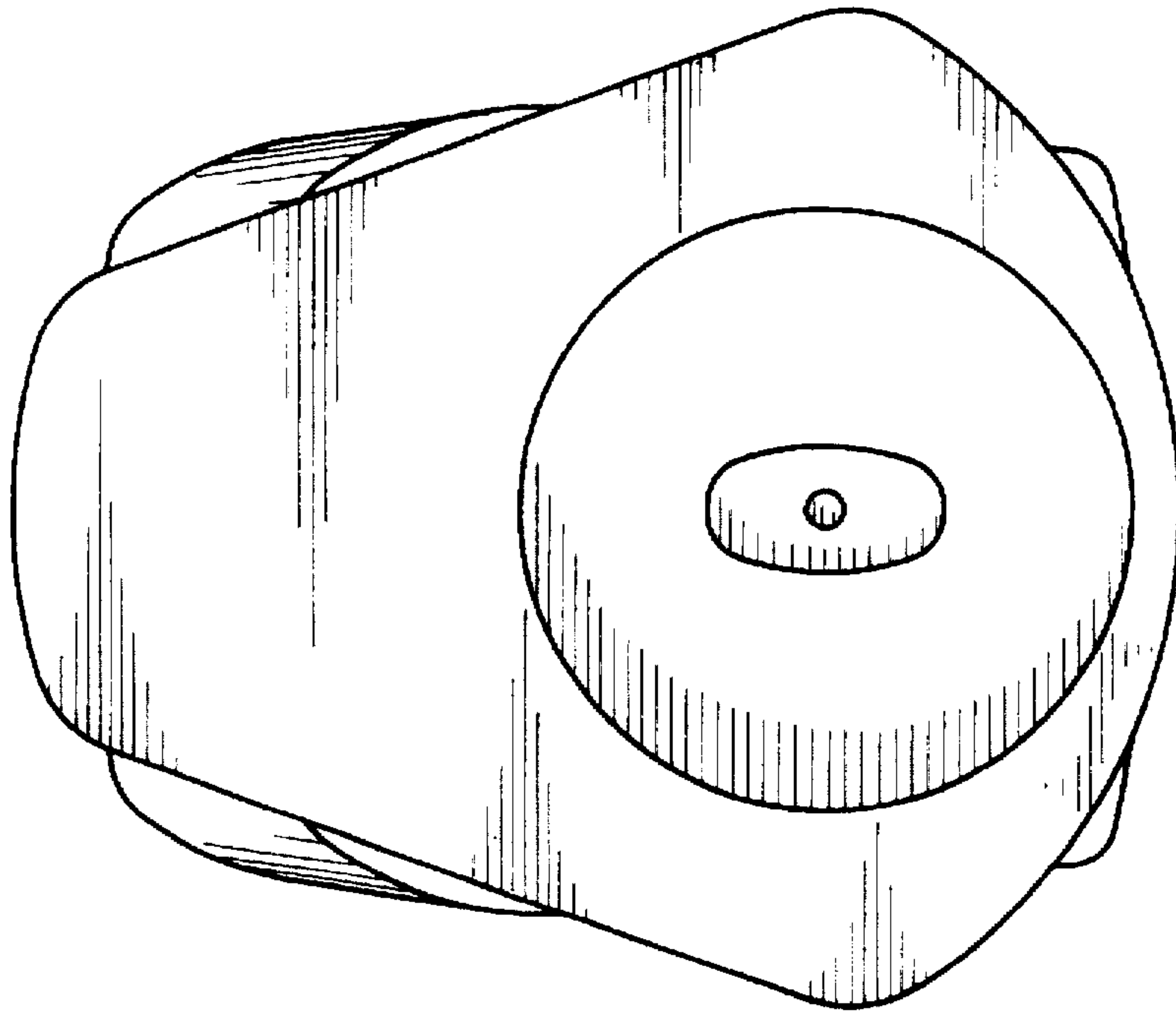


FIG.7

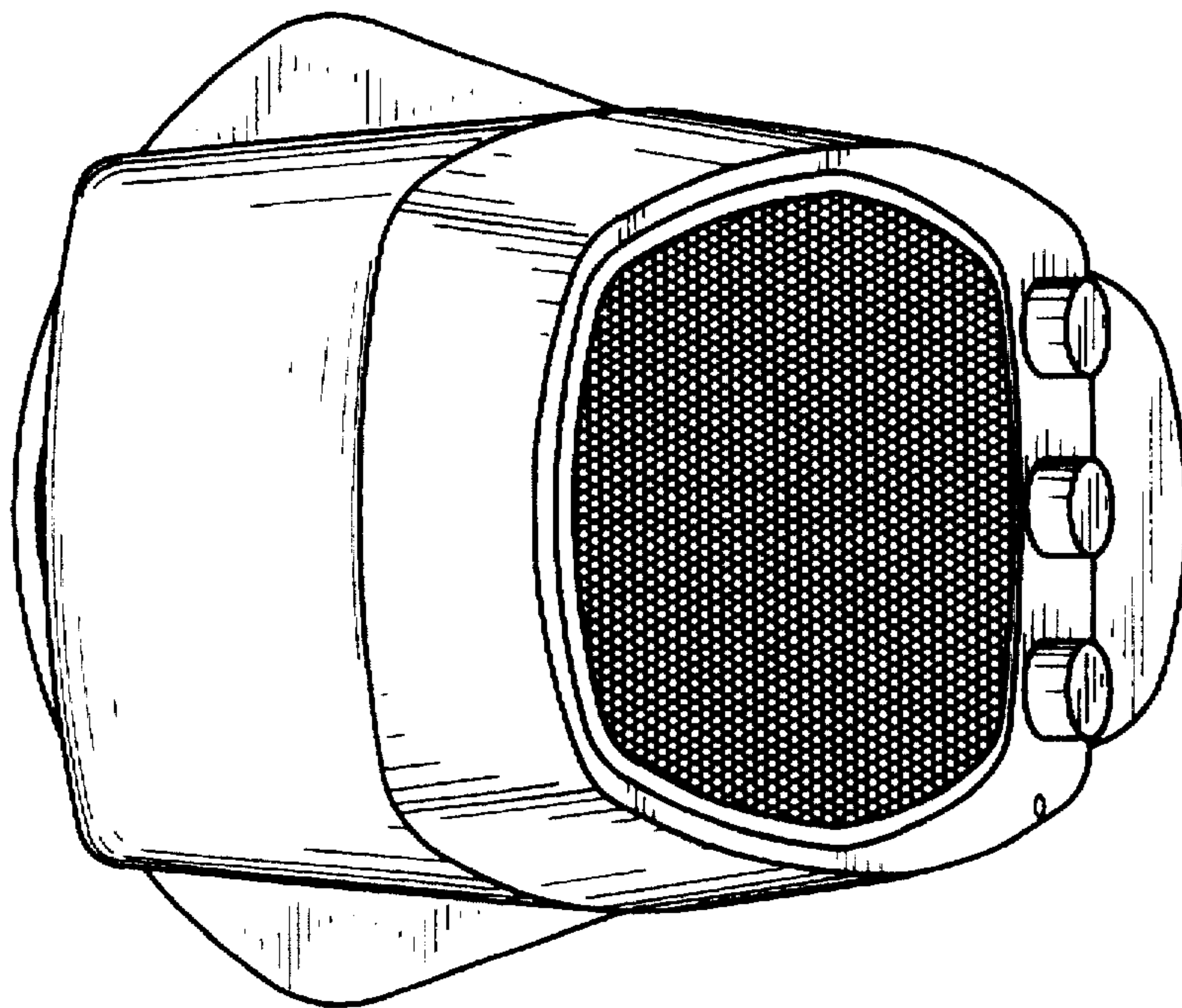


FIG.6

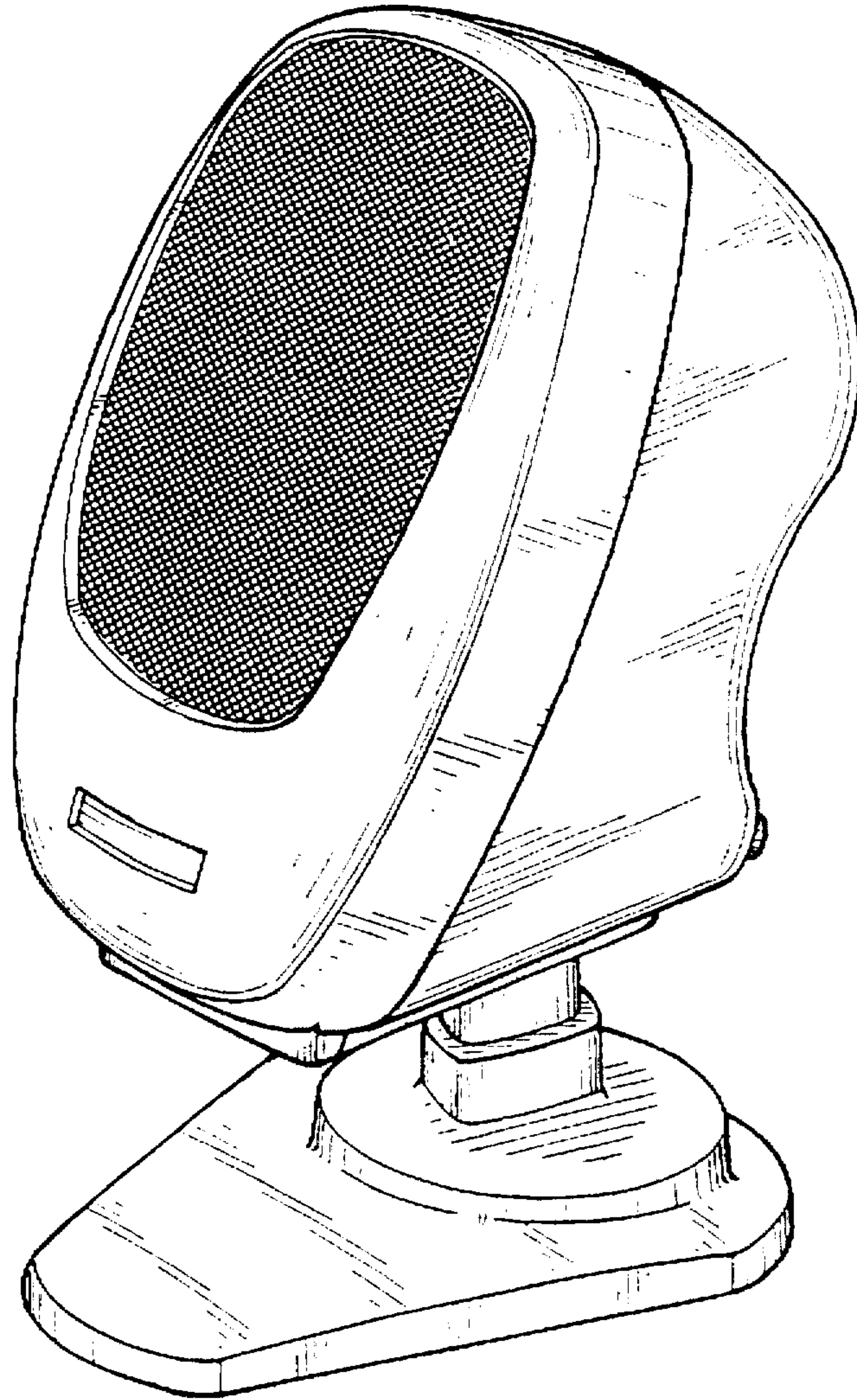


FIG. 8