



US00D391562S

United States Patent [19]

Kirihara et al.

[11] Patent Number: Des. 391,562

[45] Date of Patent: **Mar. 3, 1998

[54] VIDEO CASSETTE

[75] Inventors: **Kazushi Kirihara; Michio Akita**, both of Tokyo, Japan

[73] Assignee: **Sony Corporation**, Tokyo, Japan

[**] Term: **14 Years**

[21] Appl. No.: **64,735**

[22] Filed: **Jan. 10, 1997**

Related U.S. Application Data

[63] Continuation-in-part of Ser. No. 43,702, Sep. 11, 1995, Pat. No. Des. 377,791.

[51] LOC (6) Cl. **14-99**

[52] U.S. Cl. **D14/121**

[58] Field of Search D14/121, 100, D14/114, 122, 299, 135, 136; D21/13, 48; 273/148 B; 463/30-35, 46; 242/348, 348.4, 341; 360/132, 133

[56] References Cited

U.S. PATENT DOCUMENTS

D. 274,327	6/1984	Sumisha et al.	D14/121
D. 351,379	10/1994	Suzuki	D14/121
D. 351,380	10/1994	Suzuki	D14/121
D. 360,202	7/1995	Gelardi et al.	D14/121
D. 364,614	11/1995	Bailey et al.	D14/121
D. 375,305	11/1996	Hiraoka et al.	D14/121
4,608,617	8/1986	Oishi et al.	D14/121 X
4,850,547	7/1989	Uemura	D14/121 X
5,362,068	11/1994	Liu	463/46 X

Primary Examiner—Prabhakar G. Deshmukh
Attorney, Agent, or Firm—Foley & Lardner

[57] CLAIM

The ornamental design for a video cassette, as shown and described.

DESCRIPTION

FIG. 1 is a perspective view of a first embodiment of a video cassette showing our new design;
 FIG. 2 is a top plan view thereof;
 FIG. 3 is a left side elevational view thereof;
 FIG. 4 is a front elevational view thereof;
 FIG. 5 is a right side elevational view thereof;
 FIG. 6 is a rear elevational view thereof;
 FIG. 7 is a bottom plan view thereof;
 FIG. 8 is a perspective view of a second embodiment of a video cassette showing my new design;
 FIG. 9 is a top plan view of the second embodiment of FIG. 8;
 FIG. 10 is a left side elevational view of the second embodiment of FIG. 8;
 FIG. 11 is a front elevational view of the second embodiment of FIG. 8;
 FIG. 12 is a right side elevational view of the second embodiment of FIG. 8;
 FIG. 13 is a rear elevational view of the second embodiment of FIG. 8; and,
 FIG. 14 is a bottom plan view of the second embodiment of FIG. 8.

1 Claim, 3 Drawing Sheets

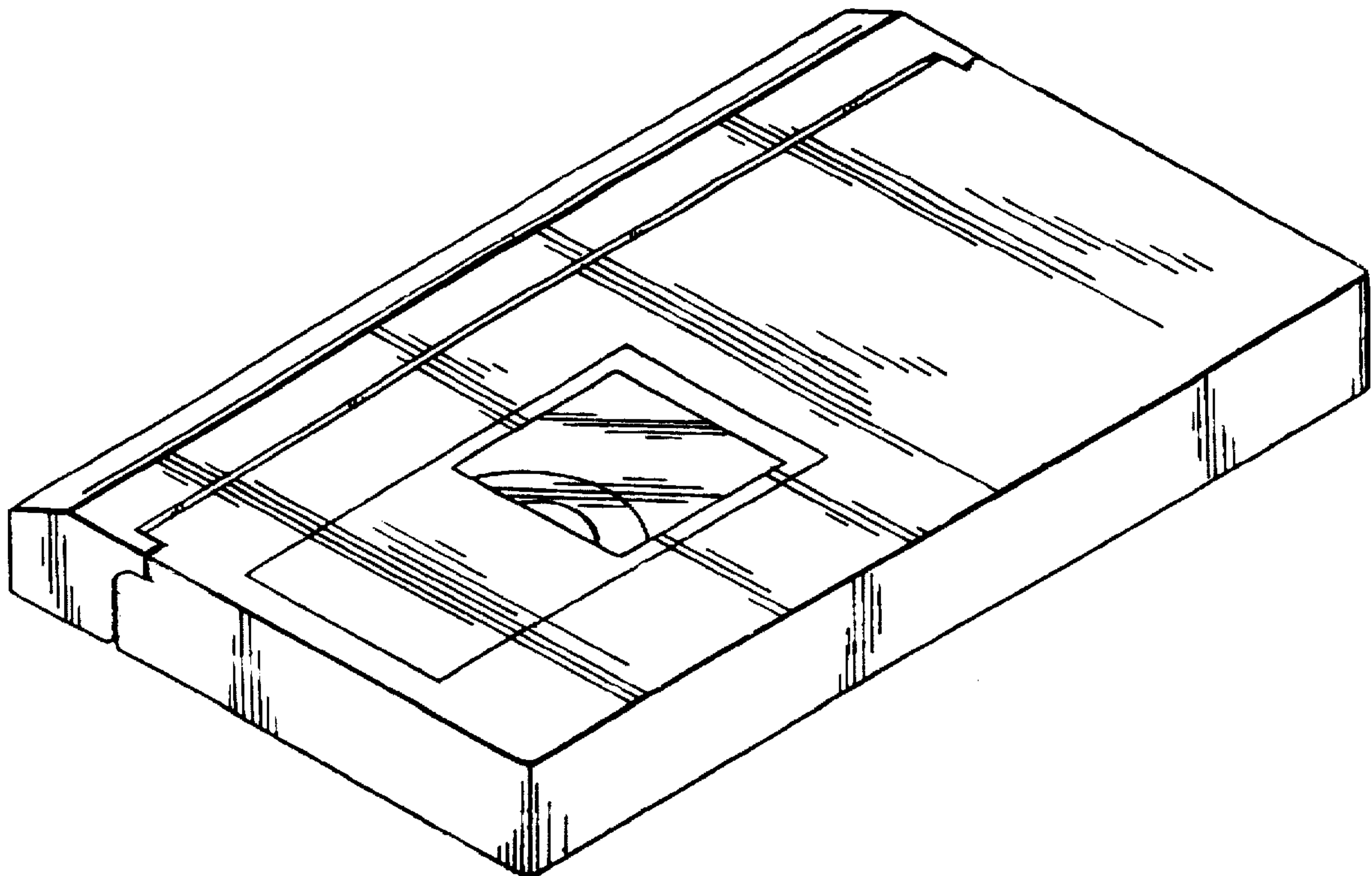


FIG. 1

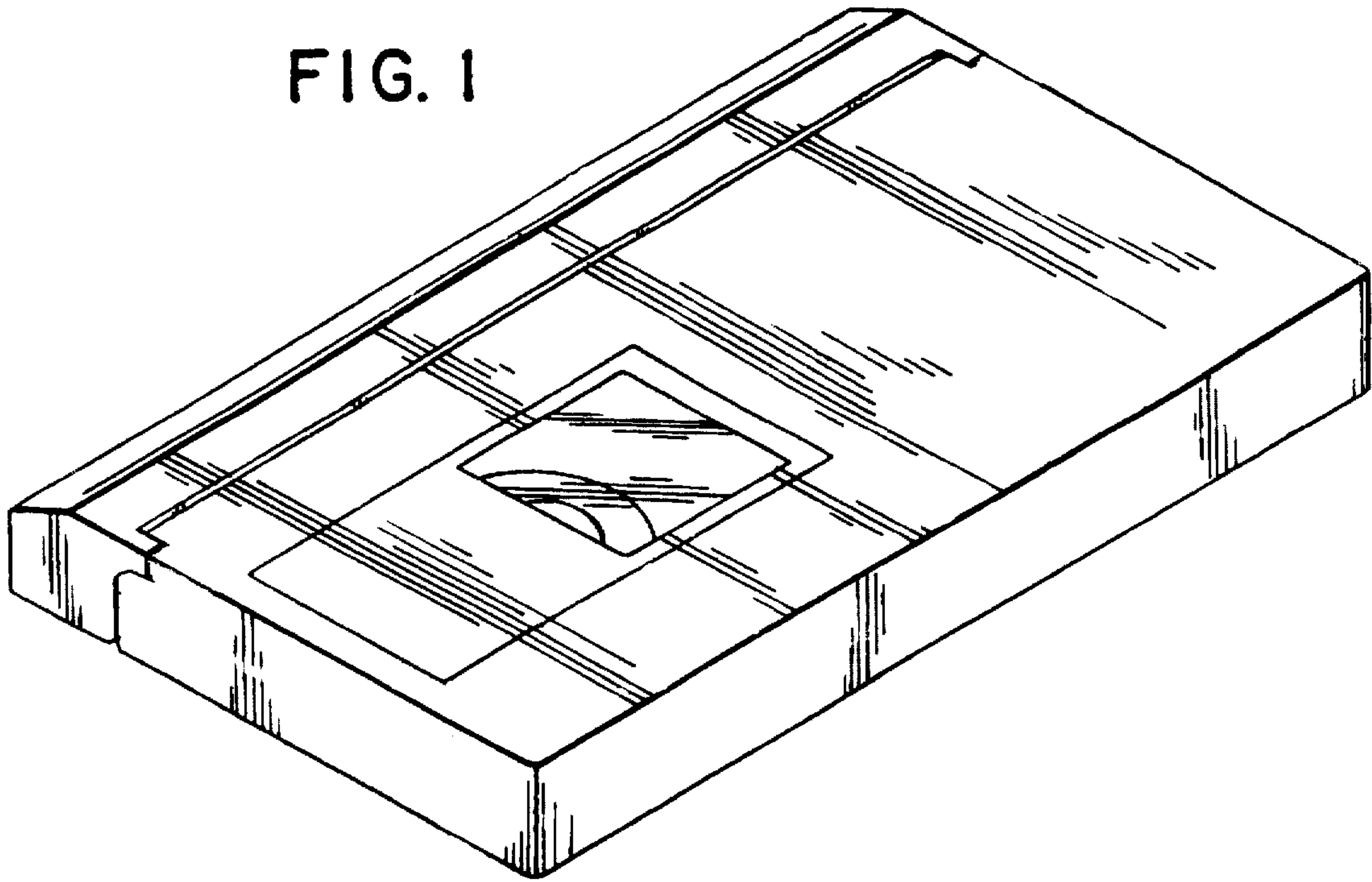


FIG. 2

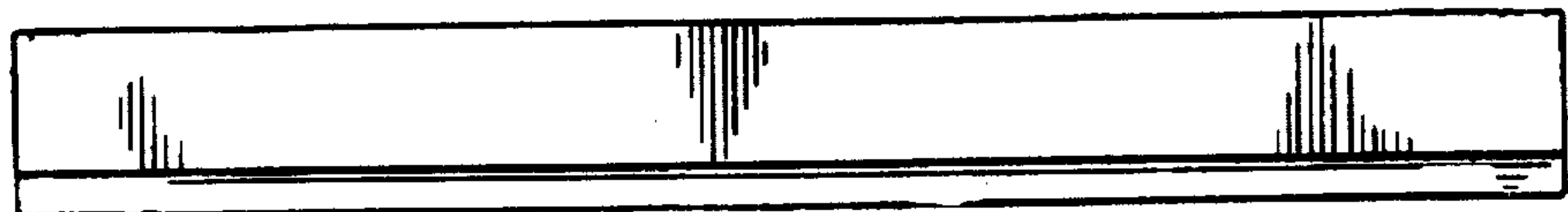


FIG. 3



FIG. 4

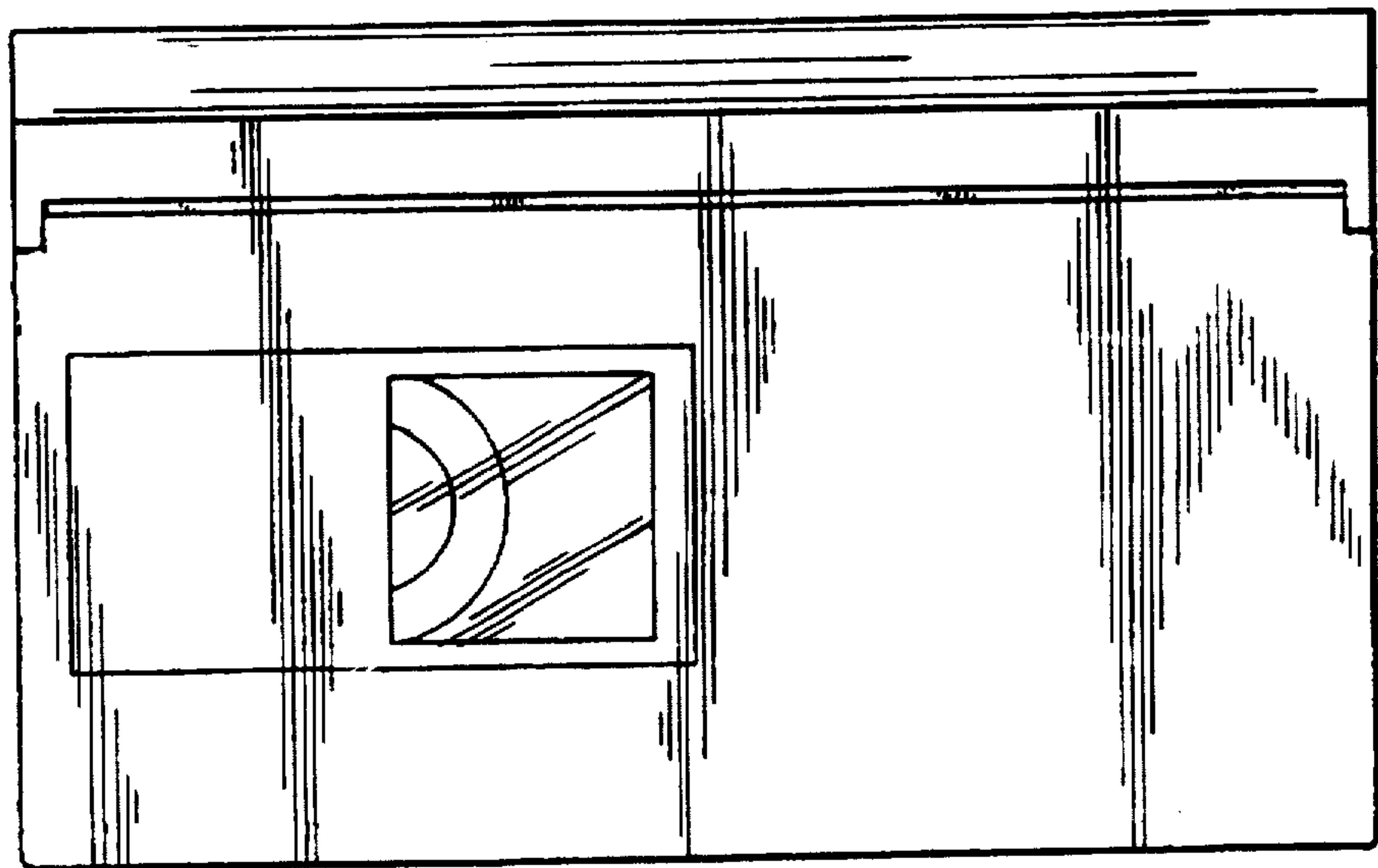


FIG. 5



FIG. 6

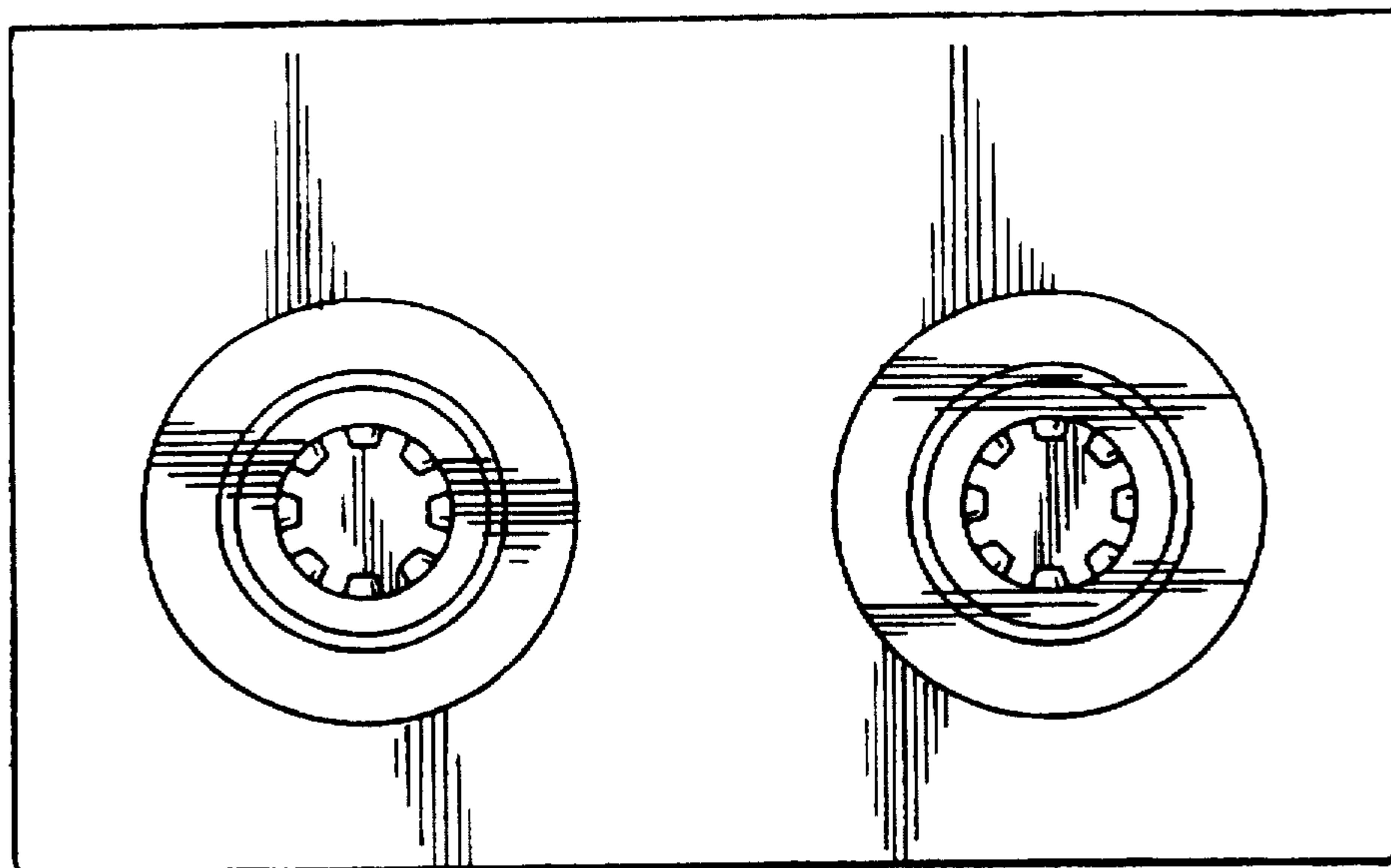


FIG. 7



FIG. 8

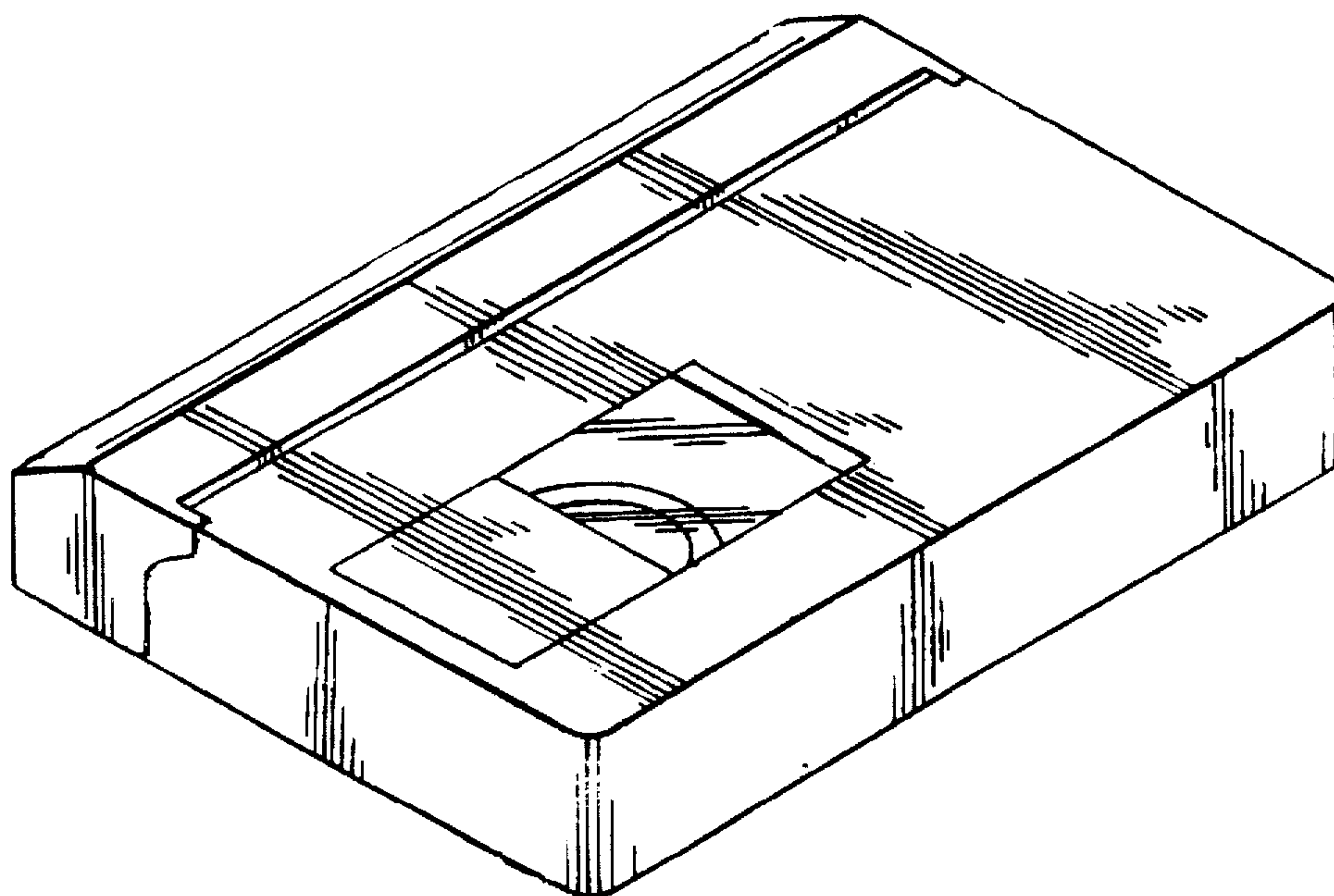


FIG. 9

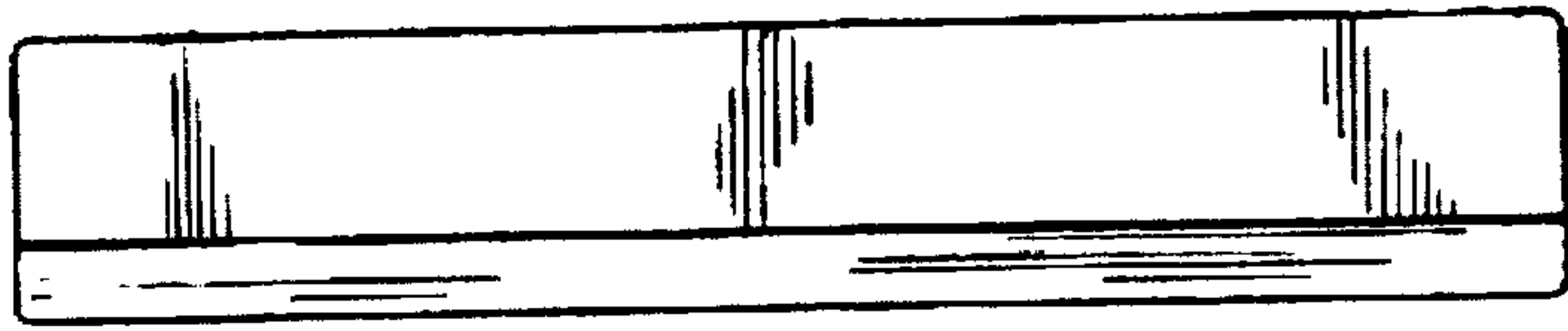


FIG. 10

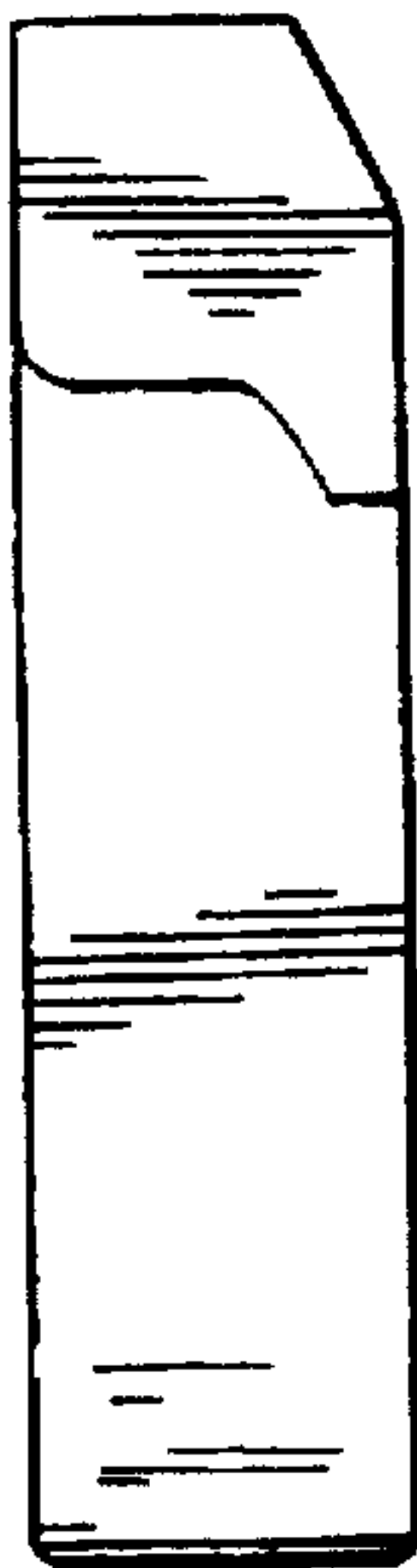


FIG. 11

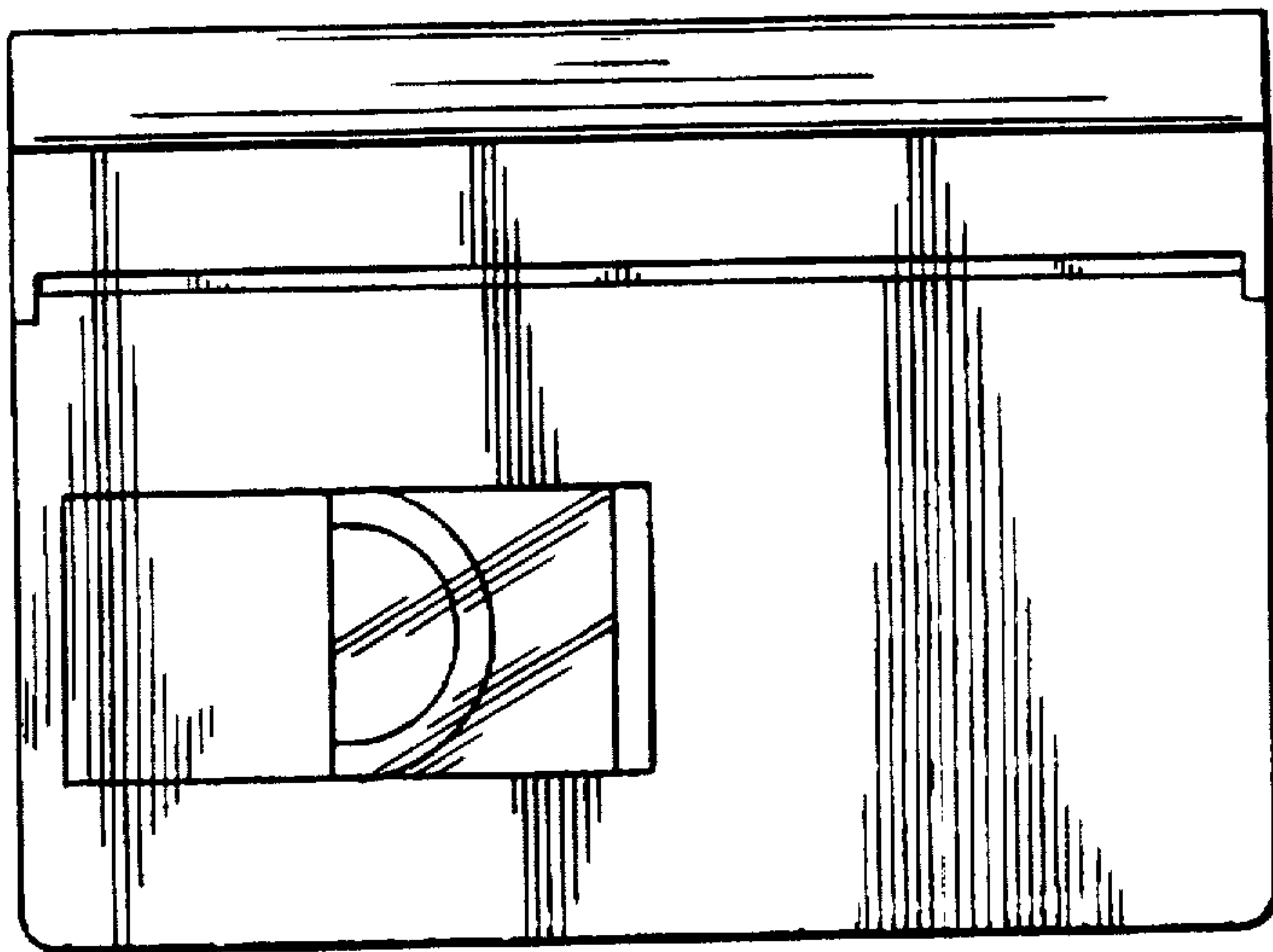


FIG. 13

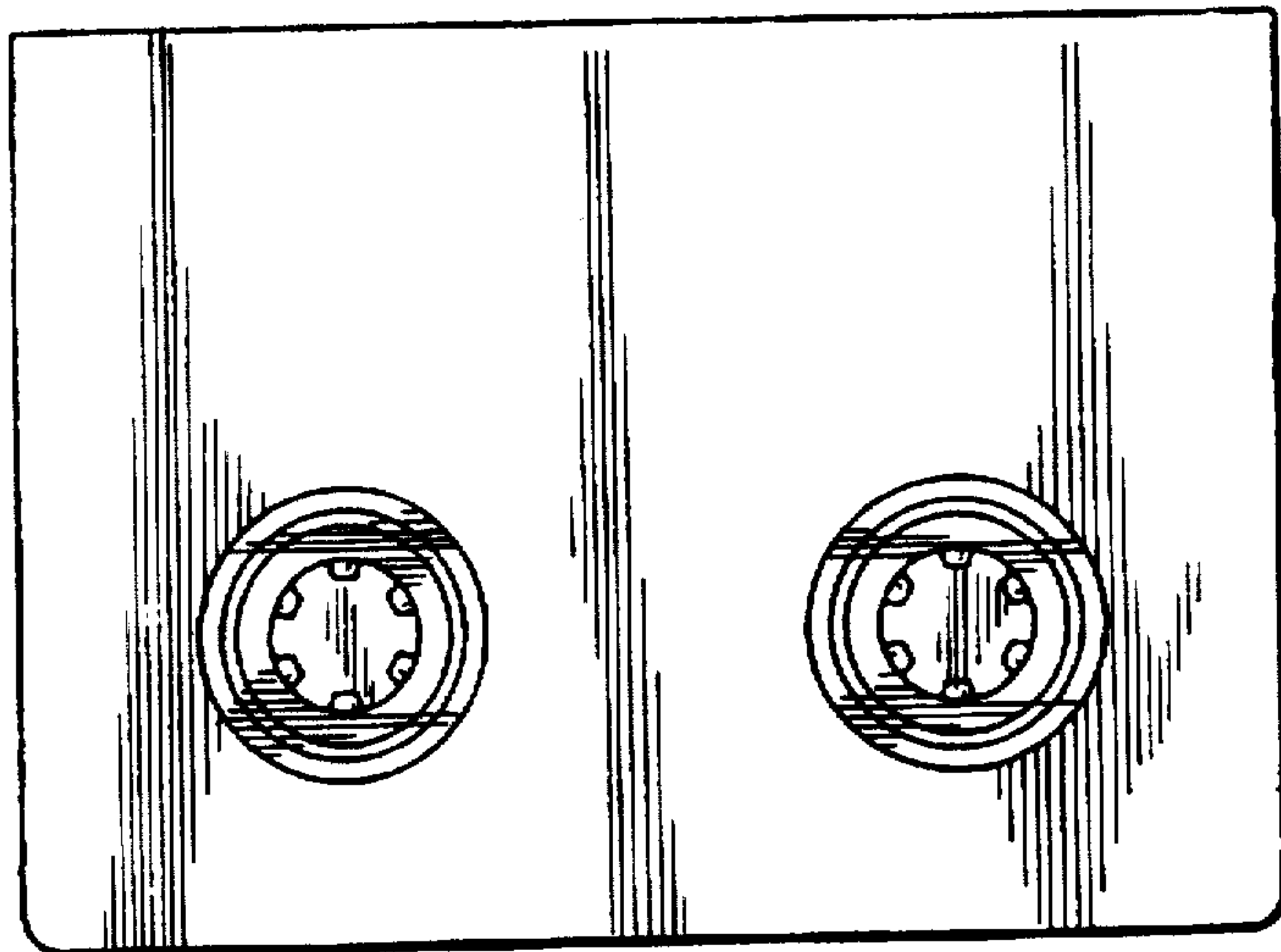


FIG. 12

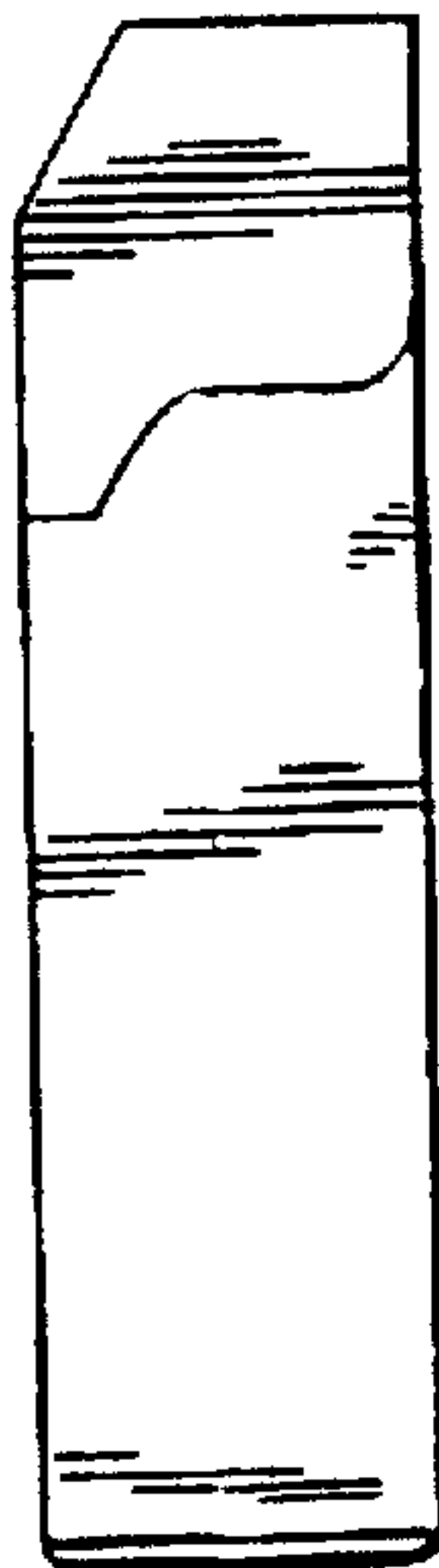


FIG. 14

