



US00D391557S

United States Patent [19]

Tada et al.

[11] Patent Number: **Des. 391,557**

[45] Date of Patent: ****Mar. 3, 1998**

[54] LIQUID CRYSTAL DISPLAY

[75] Inventors: **Chikako Tada; Masaru Tochishita; Yutaka Kohno**, all of Osaka, Japan

[73] Assignee: **Matsushita Electric Industrial Co., Ltd.**, Japan

[**] Term: **14 Years**

[21] Appl. No.: **68,171**

[22] Filed: **Mar. 13, 1997**

[30] **Foreign Application Priority Data**

Sep. 20, 1986 [JP] Japan 8-28145

[51] LOC (6) Cl. **14-02**

[52] U.S. Cl. **D14/113; D14/126**

[58] Field of Search D14/100, 101, D14/106, 113, 124-129; 345/104, 133, 156, 168, 173, 87; 348/180, 184, 325, 739; 248/917-924

[56] **References Cited**

U.S. PATENT DOCUMENTS

D. 326,847 6/1992 Savio D14/113

D. 344,933	3/1994	Wiseman et al.	D14/113
D. 351,834	10/1994	Takami et al.	D14/126
D. 351,835	10/1994	Kawamoto et al.	D14/126 X
D. 356,552	3/1995	Maeno et al.	D14/113
D. 356,555	3/1995	Takemasa et al.	D14/113
D. 363,925	11/1995	Imai	D14/113
D. 364,857	12/1995	Chou	D14/113

OTHER PUBLICATIONS

Canon's Ferroelectric Liquid Crystal Display, Canon FLCDC issued on Nov. 1, 1995.

Hitachi's SelecTop issued in Apr., 1996.

Primary Examiner—Freda Nunn

Attorney, Agent, or Firm—Saidman Design Law Group

[57] **CLAIM**

The ornamental design for a liquid crystal display, as shown.

DESCRIPTION

FIG. 1 is a perspective view of the front and right side of liquid crystal display showing our new design; FIG. 2 is a front elevational view thereof; FIG. 3 is a top plan view thereof; FIG. 4 is a left side elevational view thereof; FIG. 5 is a right side elevational view thereof; FIG. 6 is a rear elevational view thereof; and, FIG. 7 is a bottom plan view thereof.

1 Claim, 3 Drawing Sheets

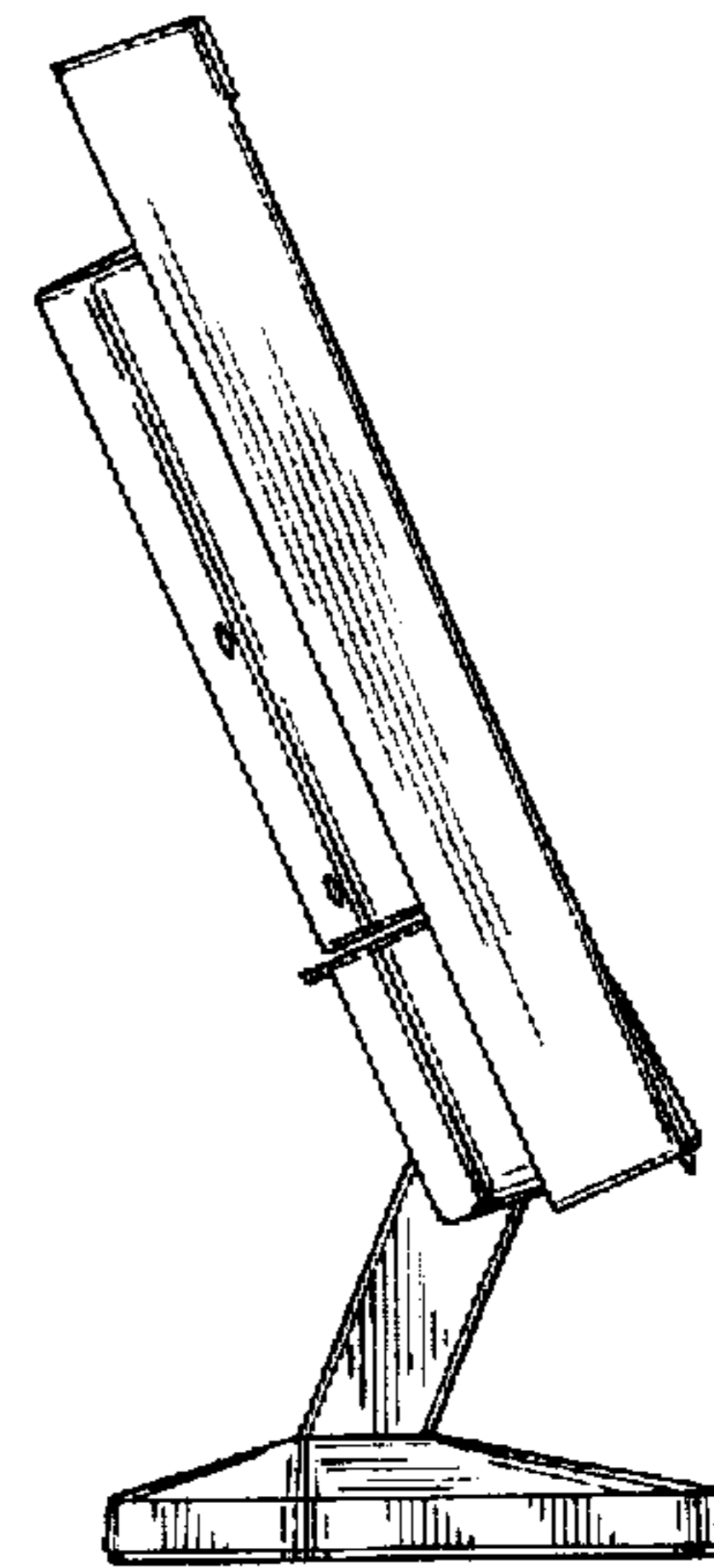
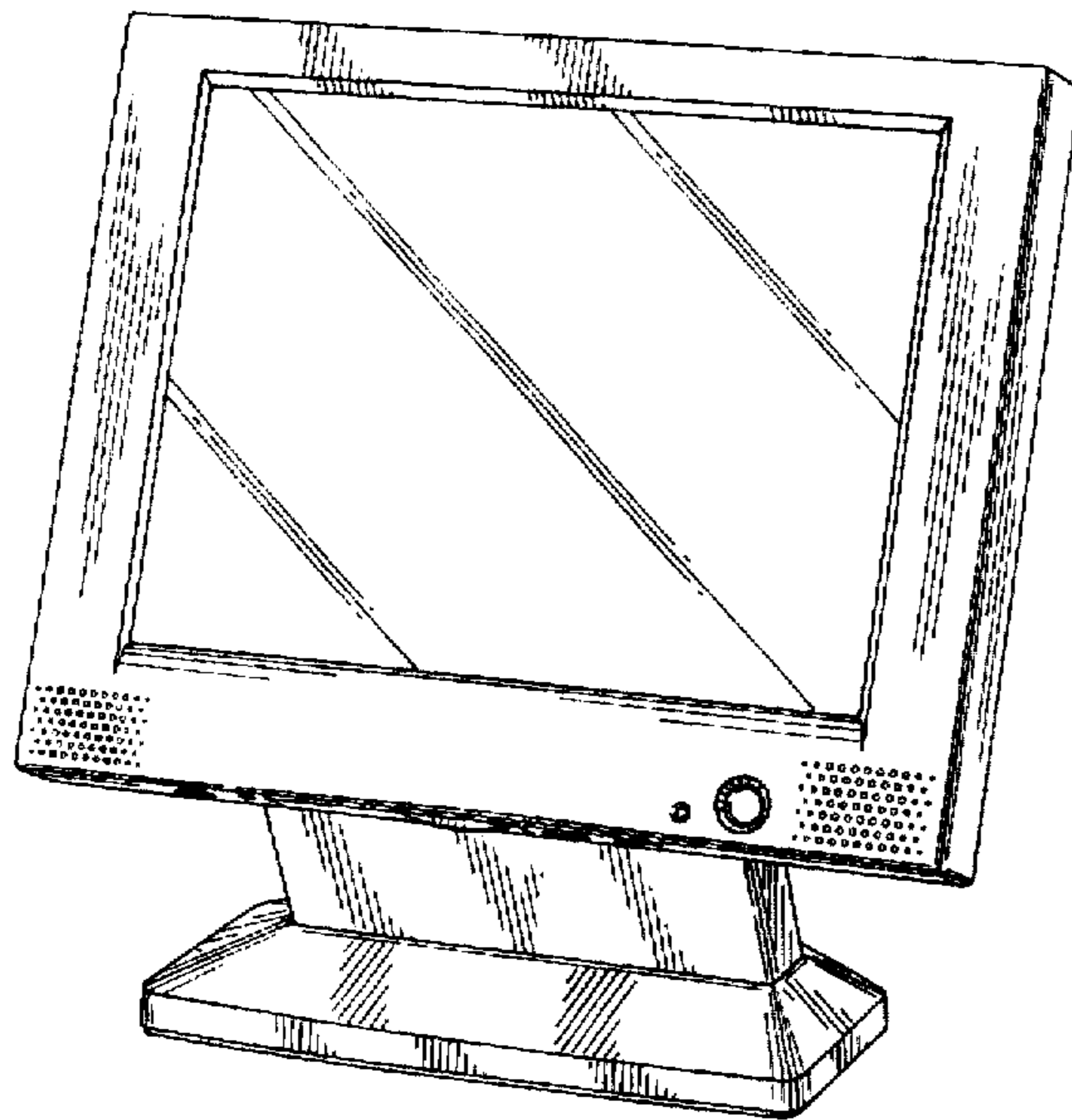


FIG. 1

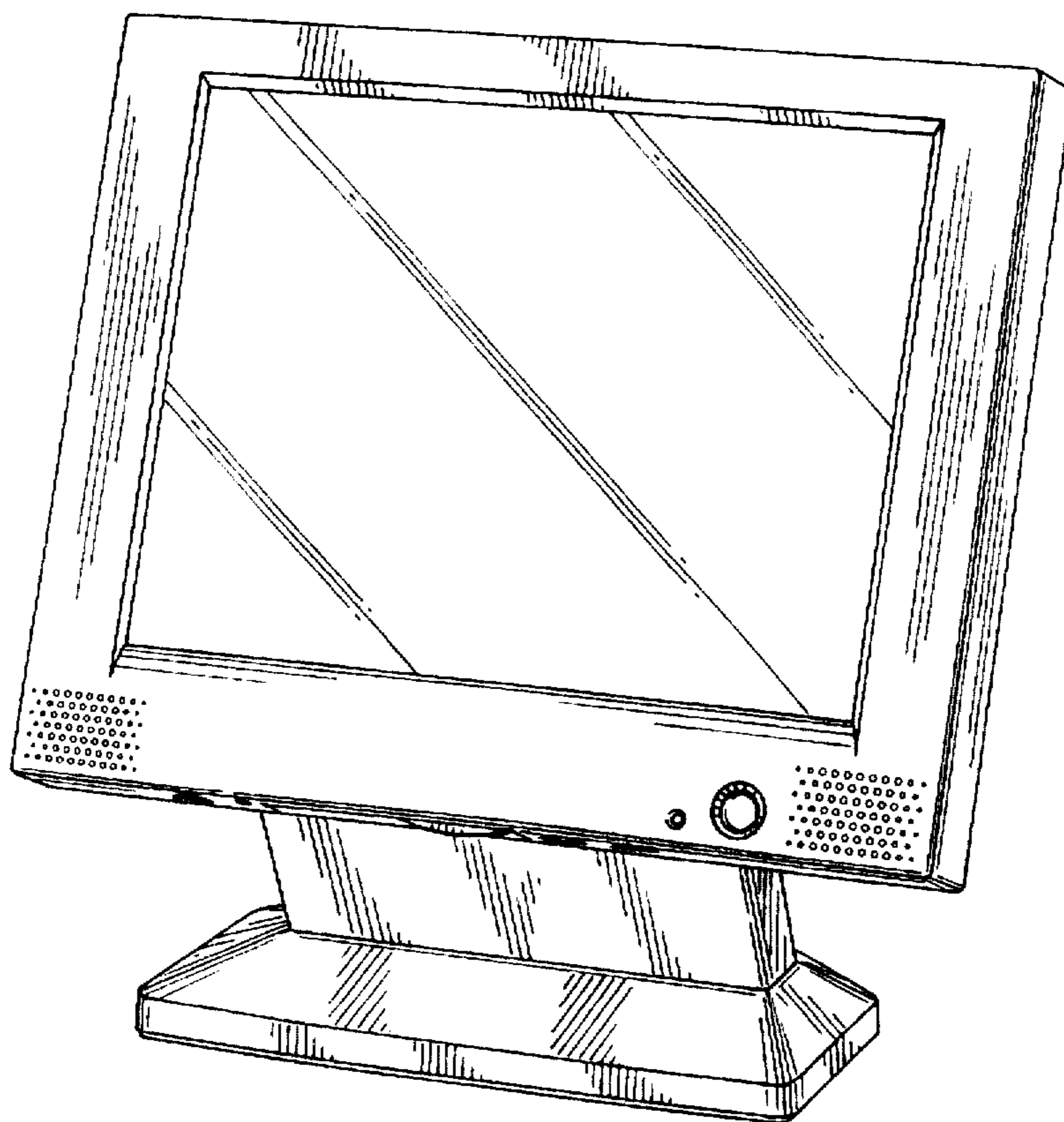


FIG. 2

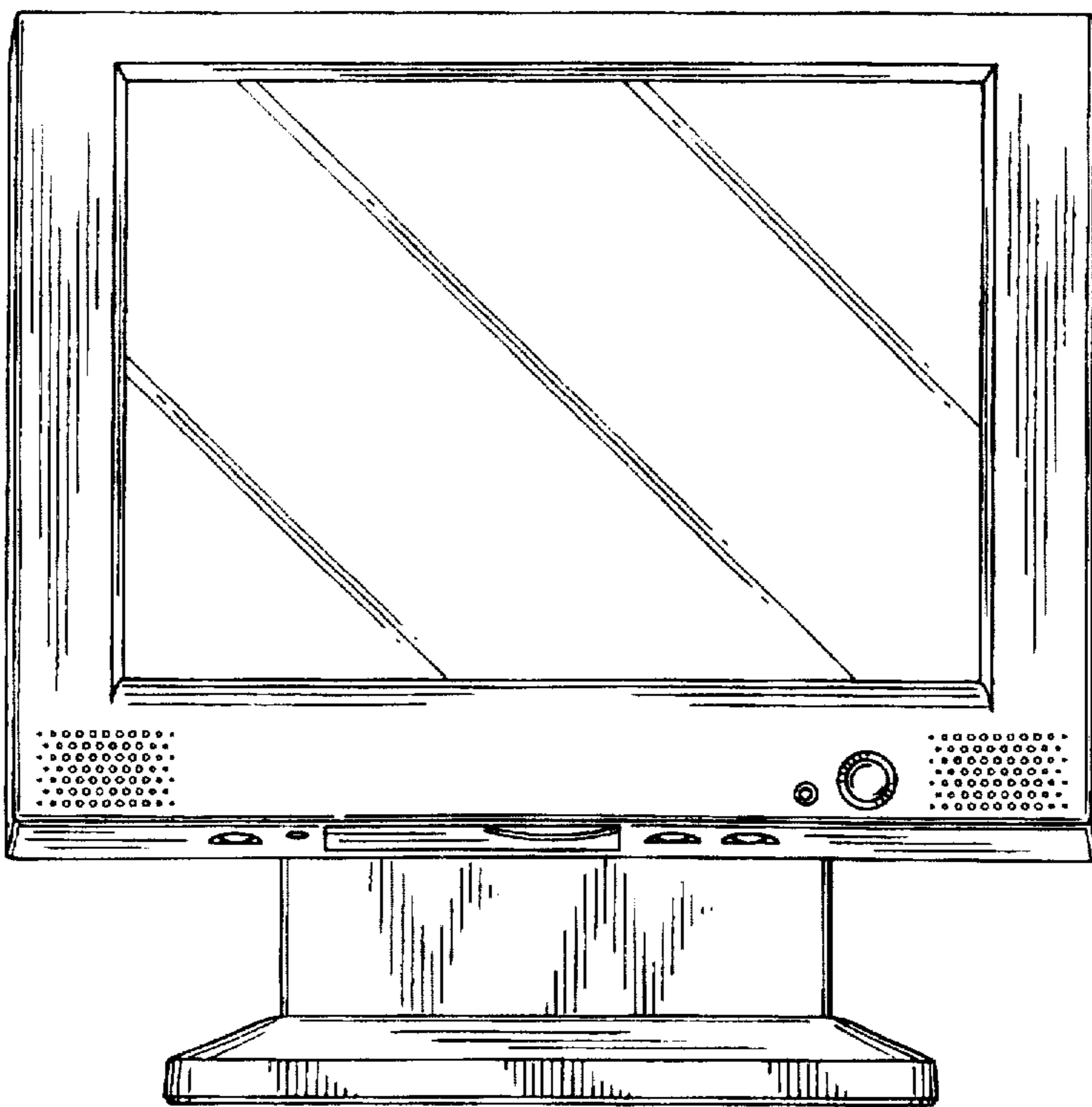


FIG. 3

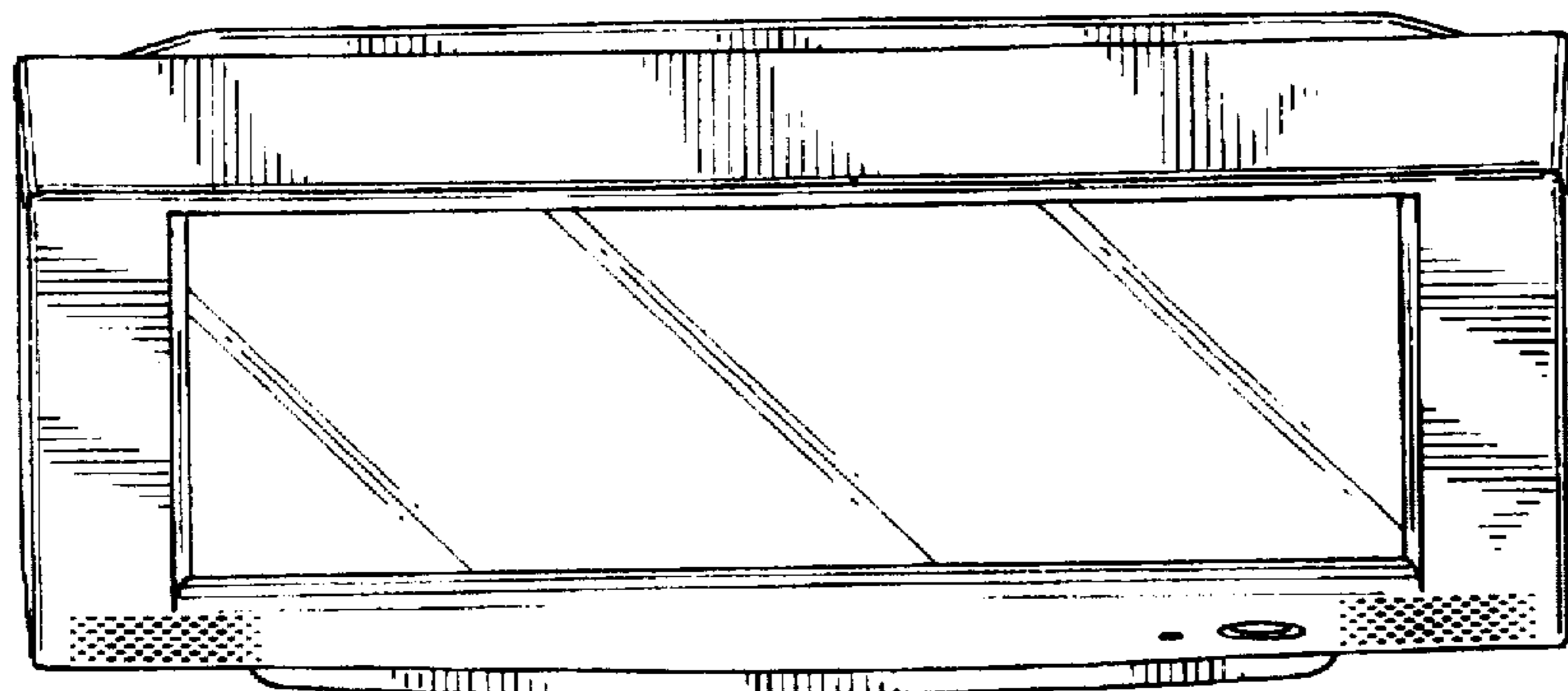


FIG. 4

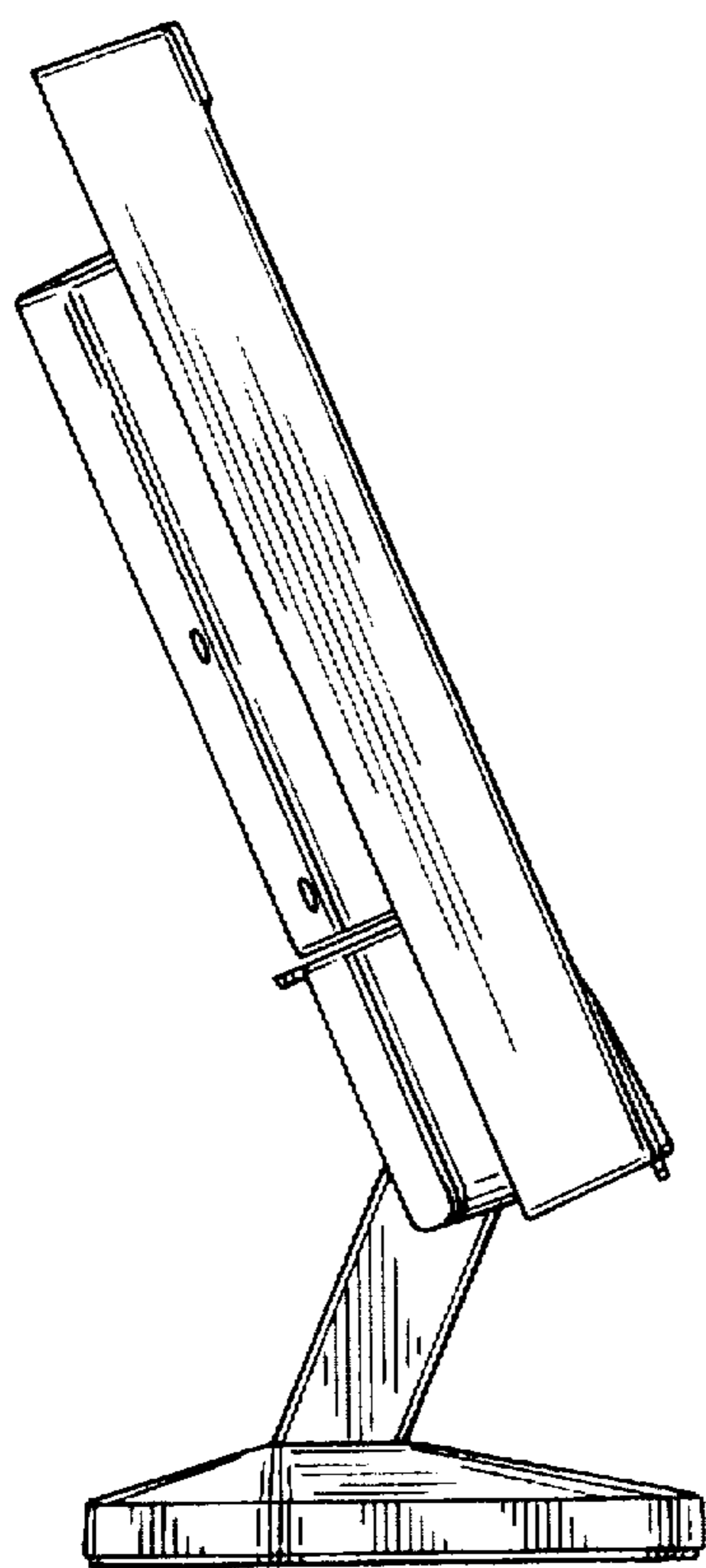


FIG. 5

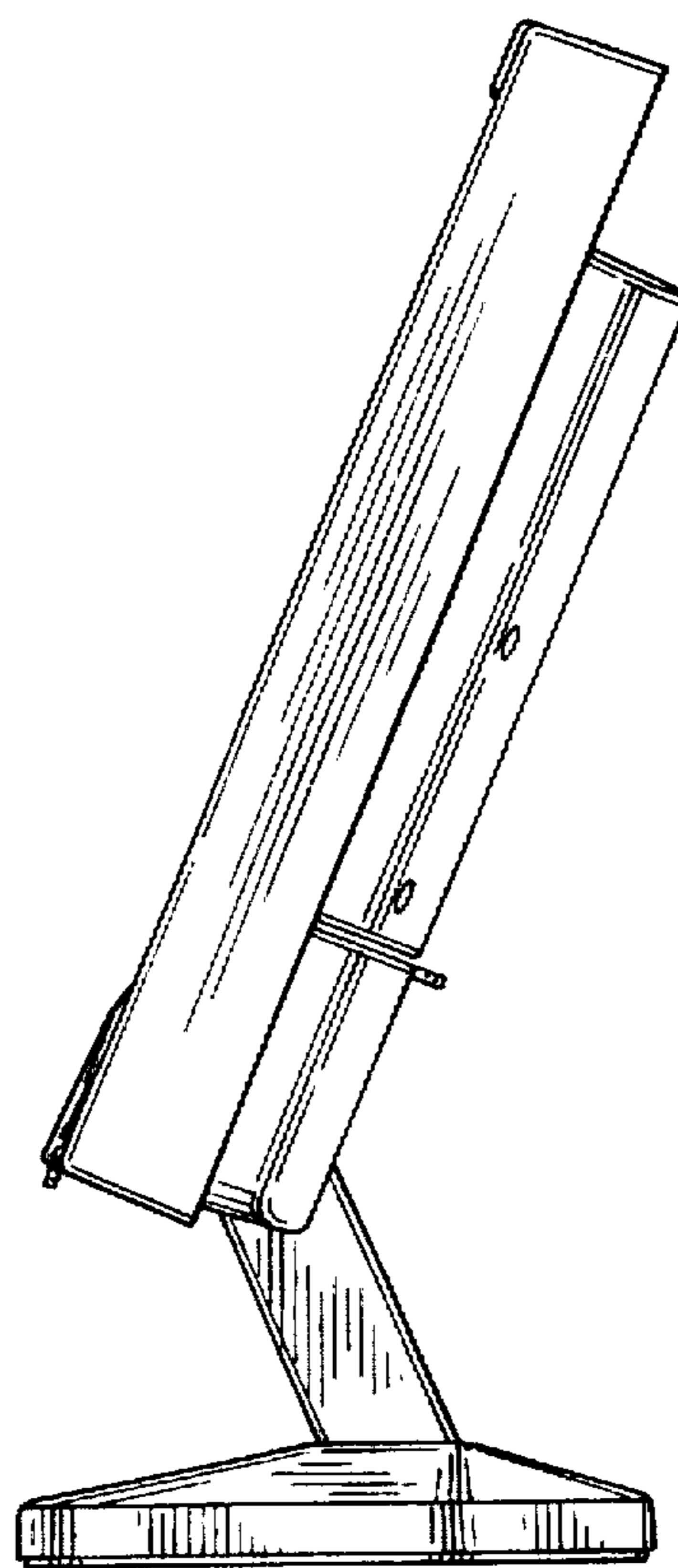


FIG. 6

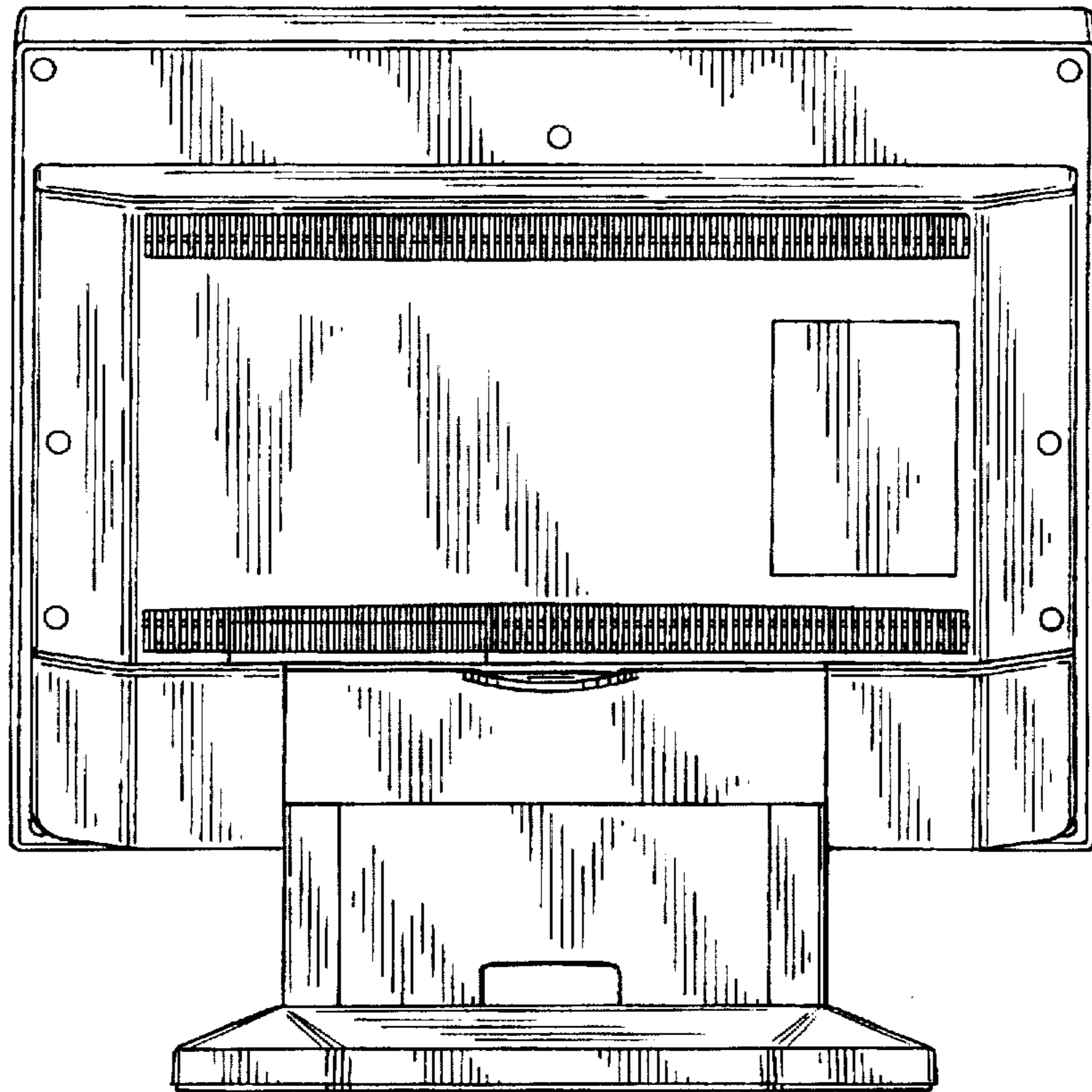


FIG. 7

