



US00D391556S

United States Patent [19]

Corrington et al.

[11] Patent Number: **Des. 391,556**

[45] Date of Patent: ****Mar. 3, 1998**

[54] **REMOVABLE COMPUTER STORAGE MODULE**

D. 374,216 10/1996 Paul D14/107
5,435,737 7/1995 Haga et al. 361/685 X

[75] Inventors: **Richard A. Corrington, Tustin; Alan B. Gordon, Costa Mesa, both of Calif.**

*Primary Examiner—Freda Nunn
Attorney, Agent, or Firm—Irell & Manella LLP*

[73] Assignee: **Micronet Technology, Inc., Irvine, Calif.**

[57] **CLAIM**

[**] Term: **14 Years**

The ornamental design for a removable computer storage module, as shown and described.

[21] Appl. No.: **51,667**

DESCRIPTION

[22] Filed: **Mar. 15, 1996**

FIG. 1 is a top front and right side perspective view of the removable computer storage module showing our new design;

[51] LOC (6) Cl. **14-02**

FIG. 2 is a top plan view thereof;

[52] U.S. Cl. **D14/107; D14/114**

FIG. 3 is a front elevational view thereof;

[58] **Field of Search** D14/100, 102, D14/107-109; D13/162, 184, 199; 312/254, 292; 360/99.01-99.12; 369/34, 36; 361/728-736, 685; 379/67, 93, 100, 102

FIG. 4 is a rear elevational view thereof;

FIG. 5 is a bottom plan view thereof;

FIG. 6 is a left side elevational view thereof;

FIG. 7 is a right side elevational view thereof; and,

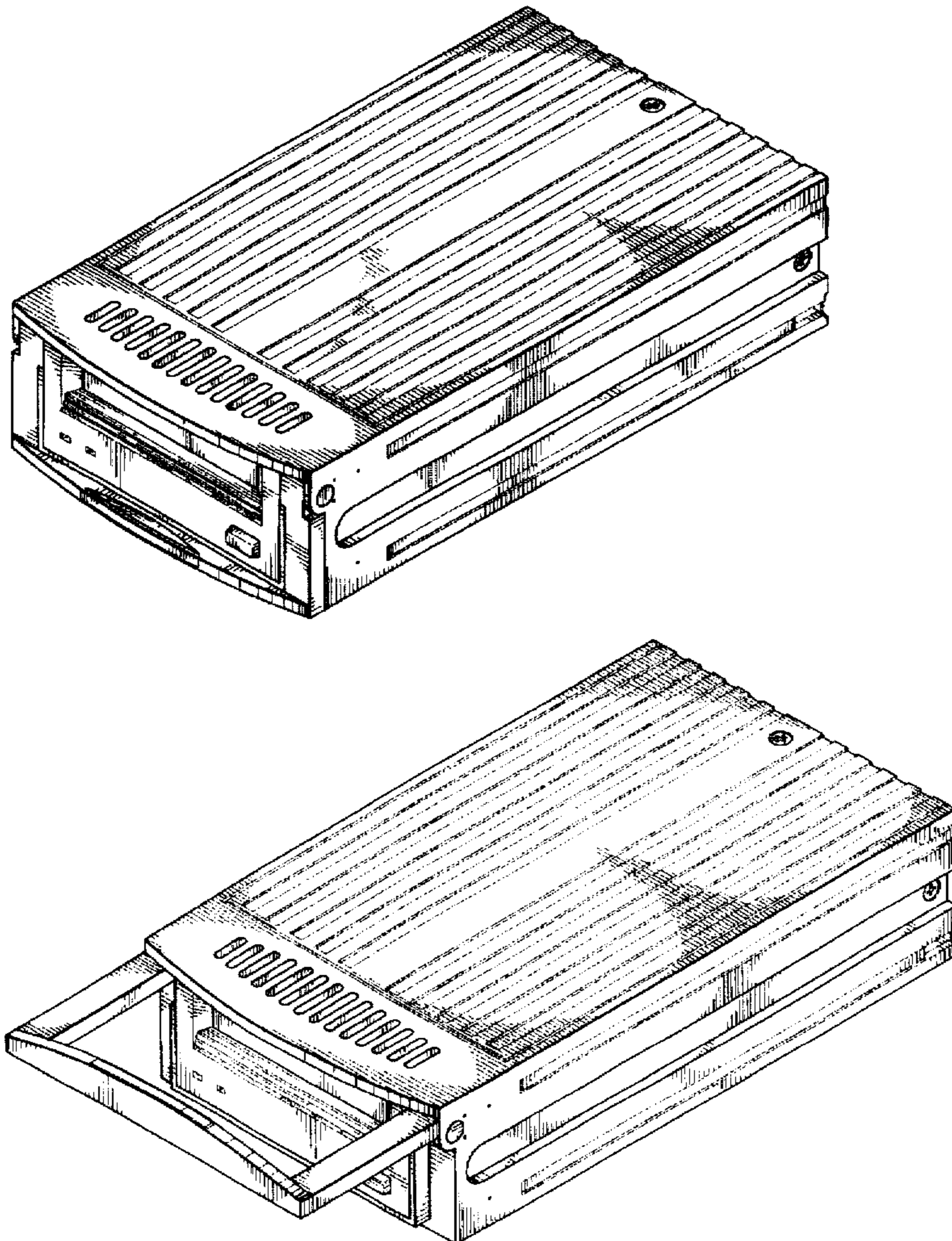
FIG. 8 is a top, front, and right perspective view of the module of FIG. 1 as that module would appear when a user has raised its handle.

[56] **References Cited**

U.S. PATENT DOCUMENTS

D. 323,321 1/1992 Kline et al. D14/109
D. 330,198 10/1992 Lajara et al. D14/107 X

1 Claim, 6 Drawing Sheets



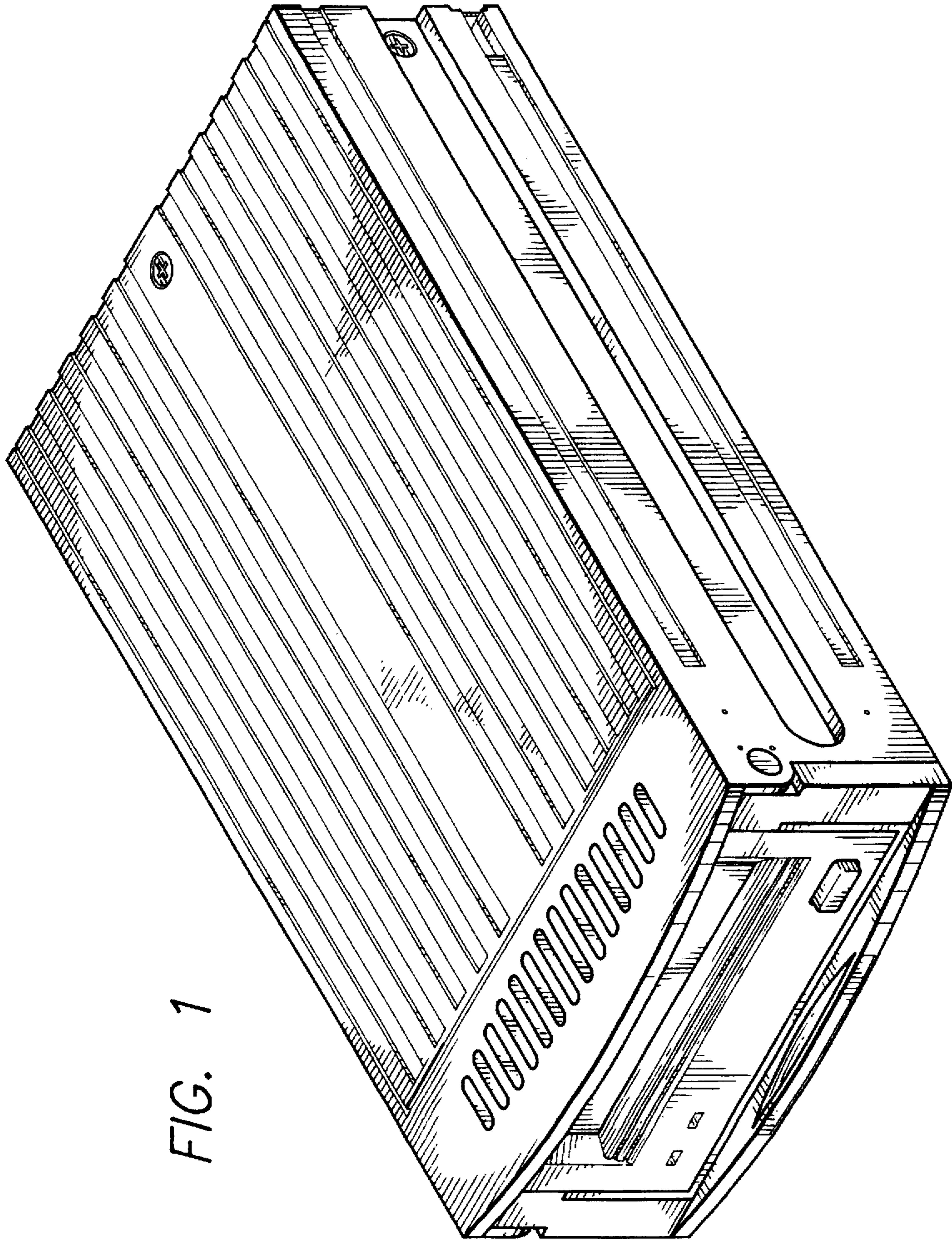


FIG. 1

FIG. 2

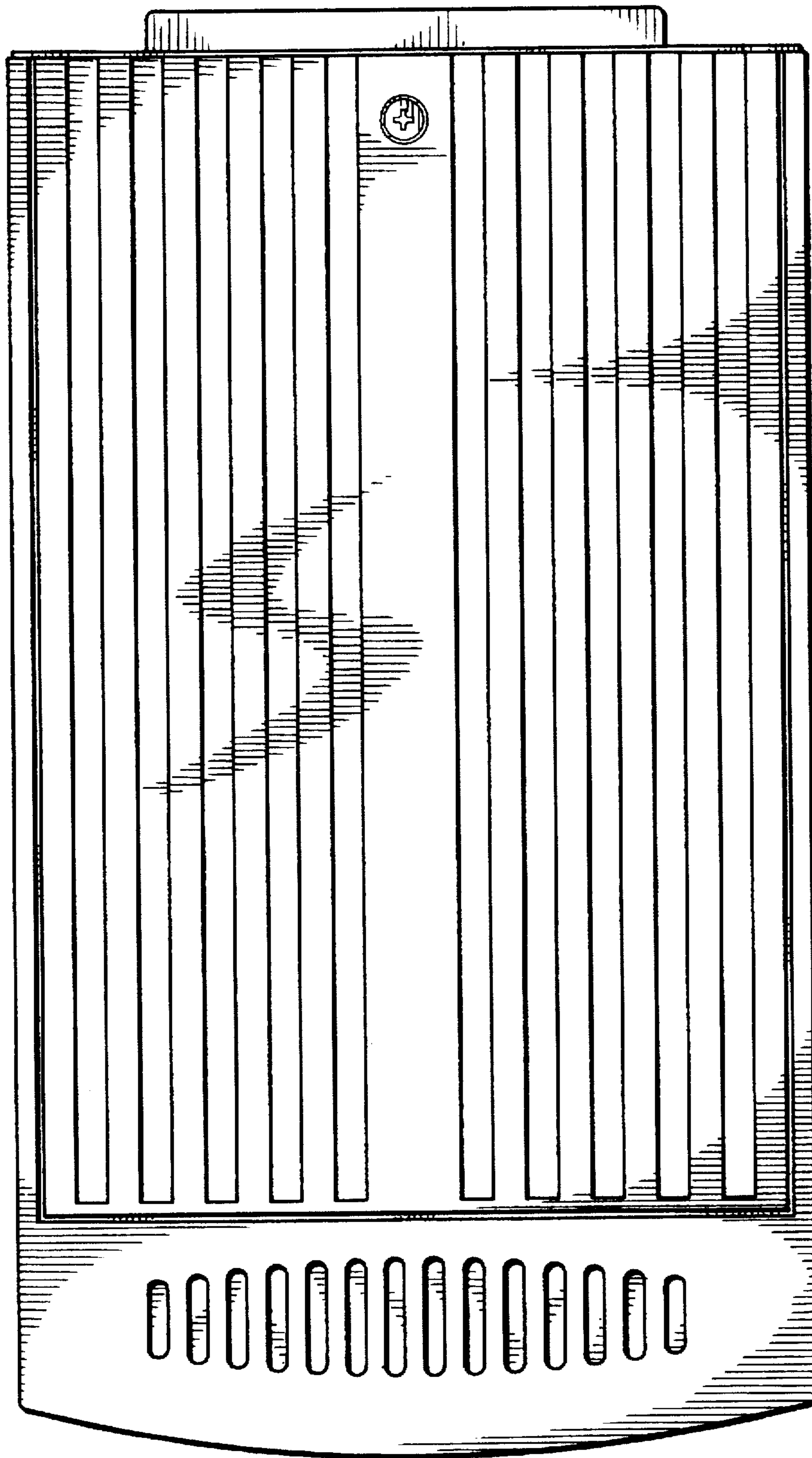


FIG. 3

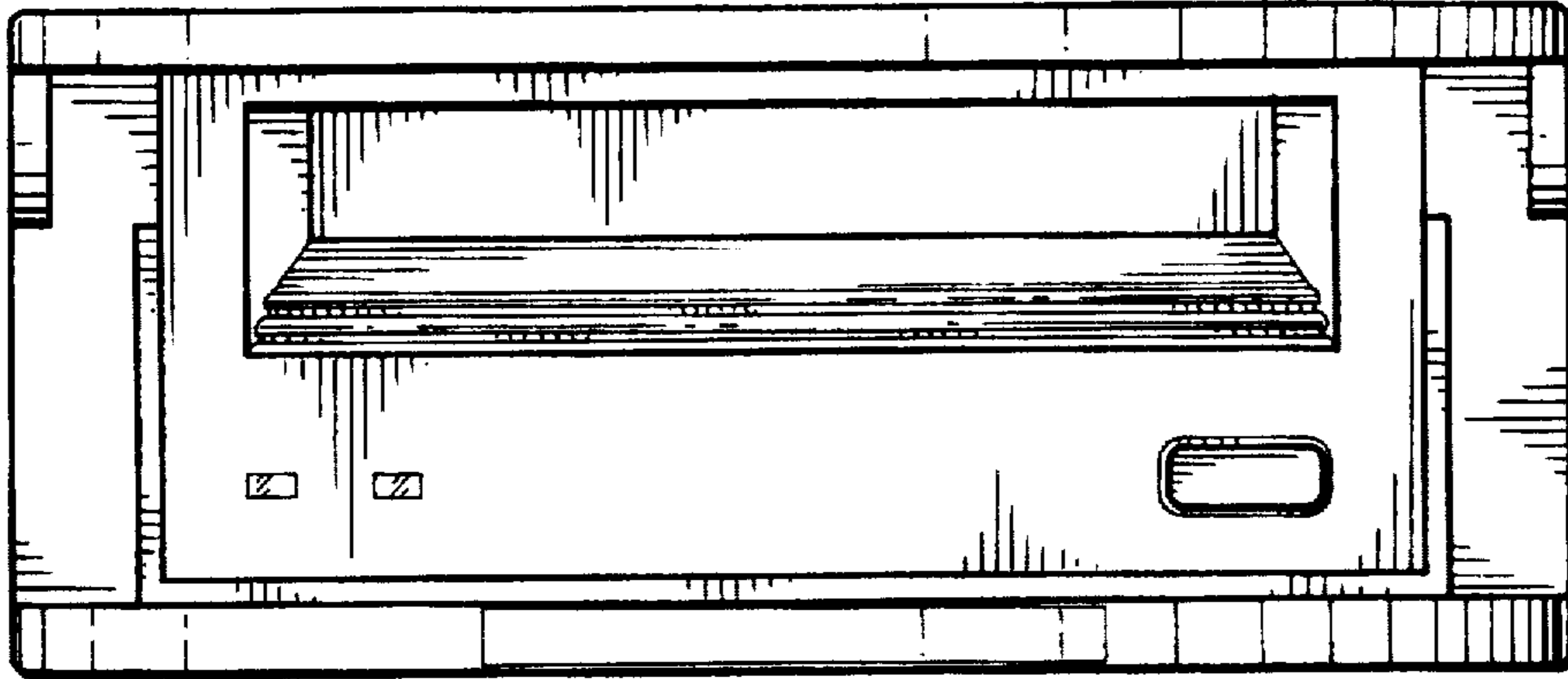


FIG. 4

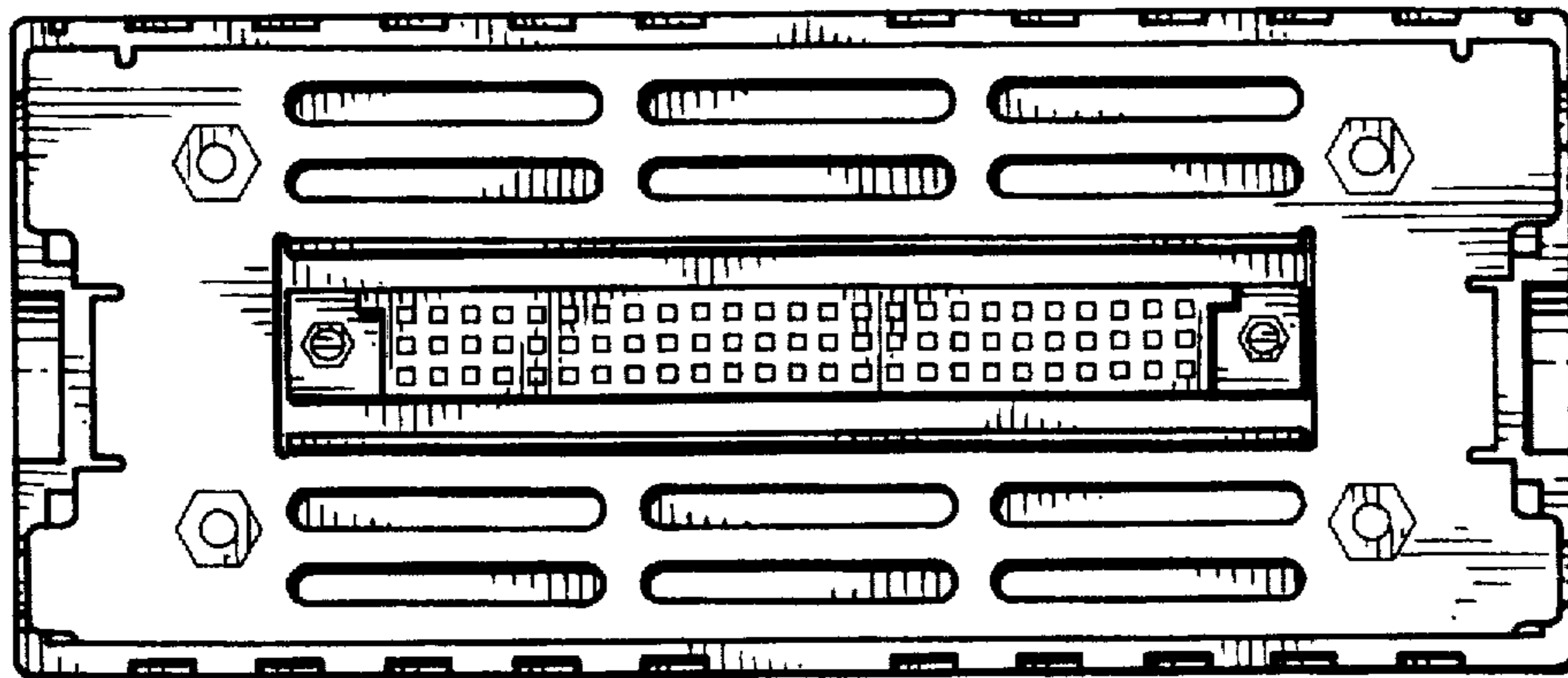


FIG. 5

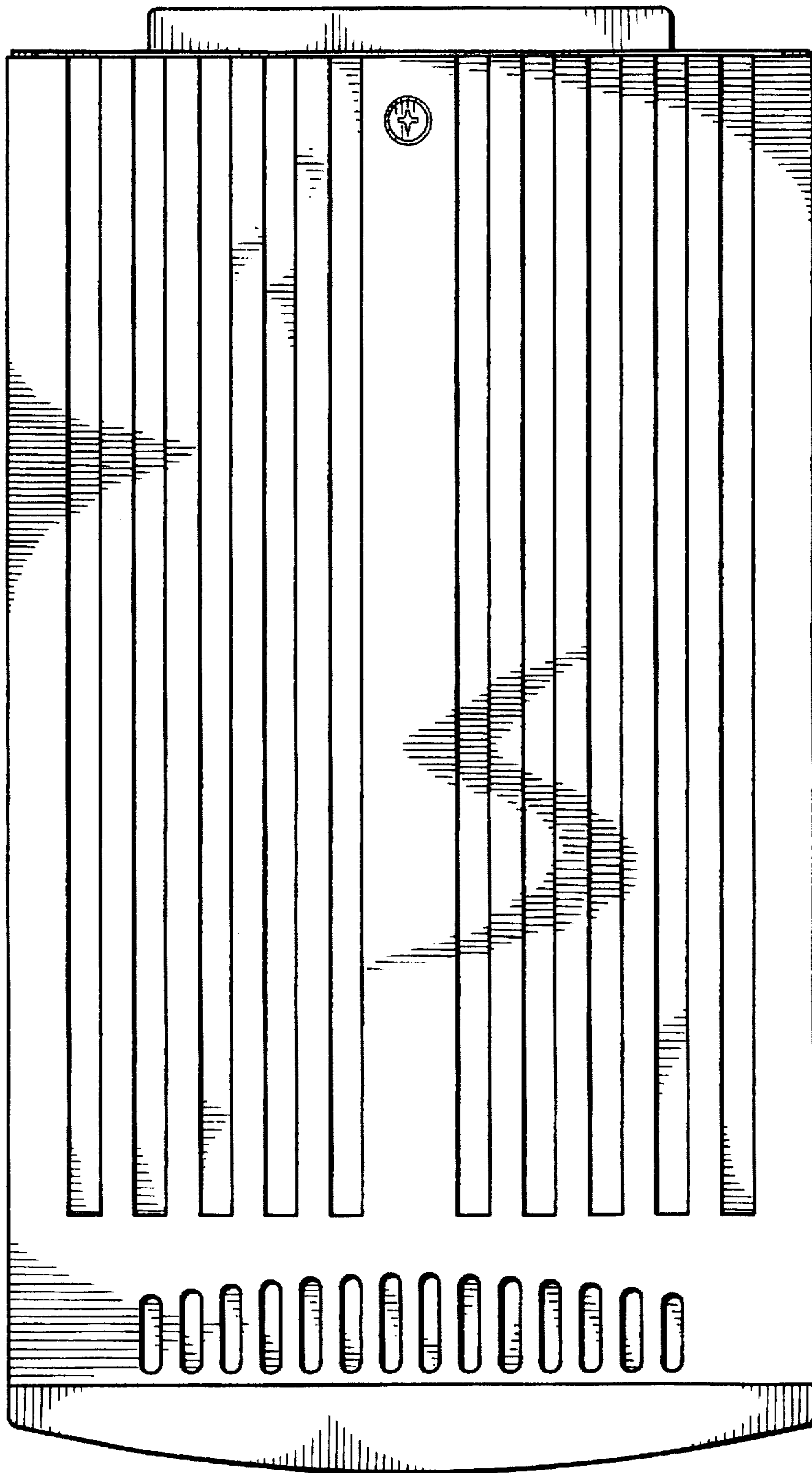


FIG. 6

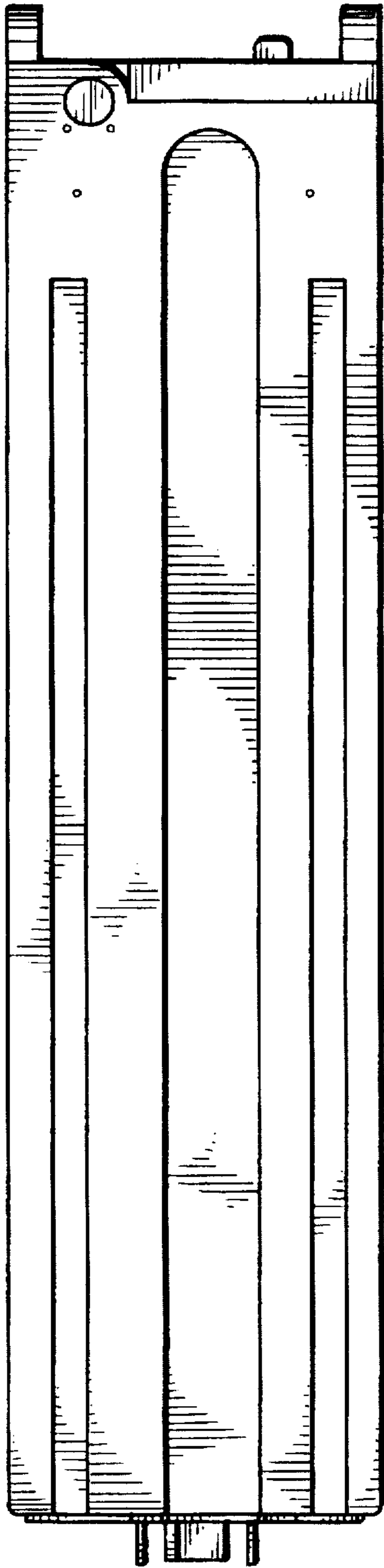
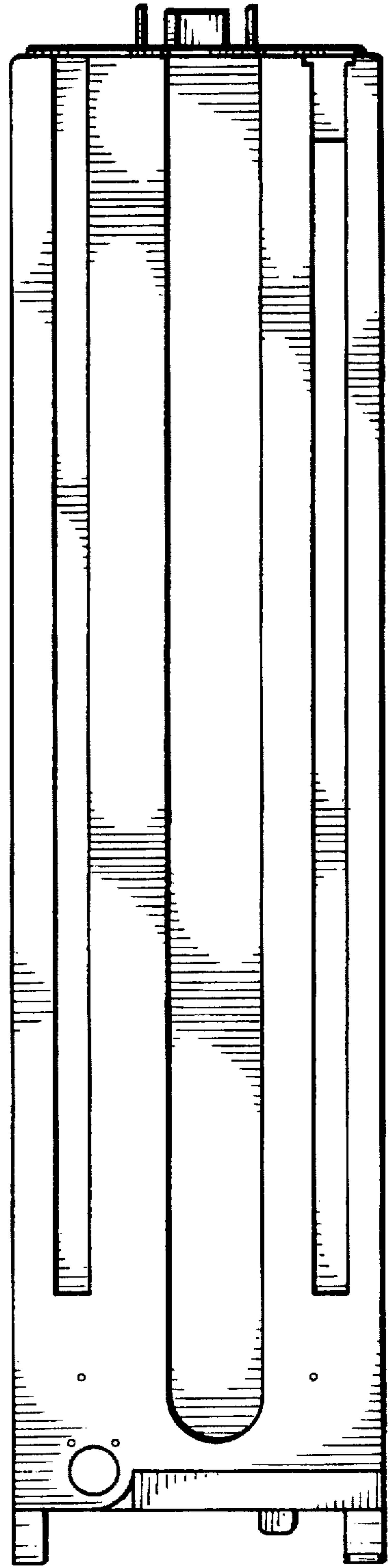


FIG. 7



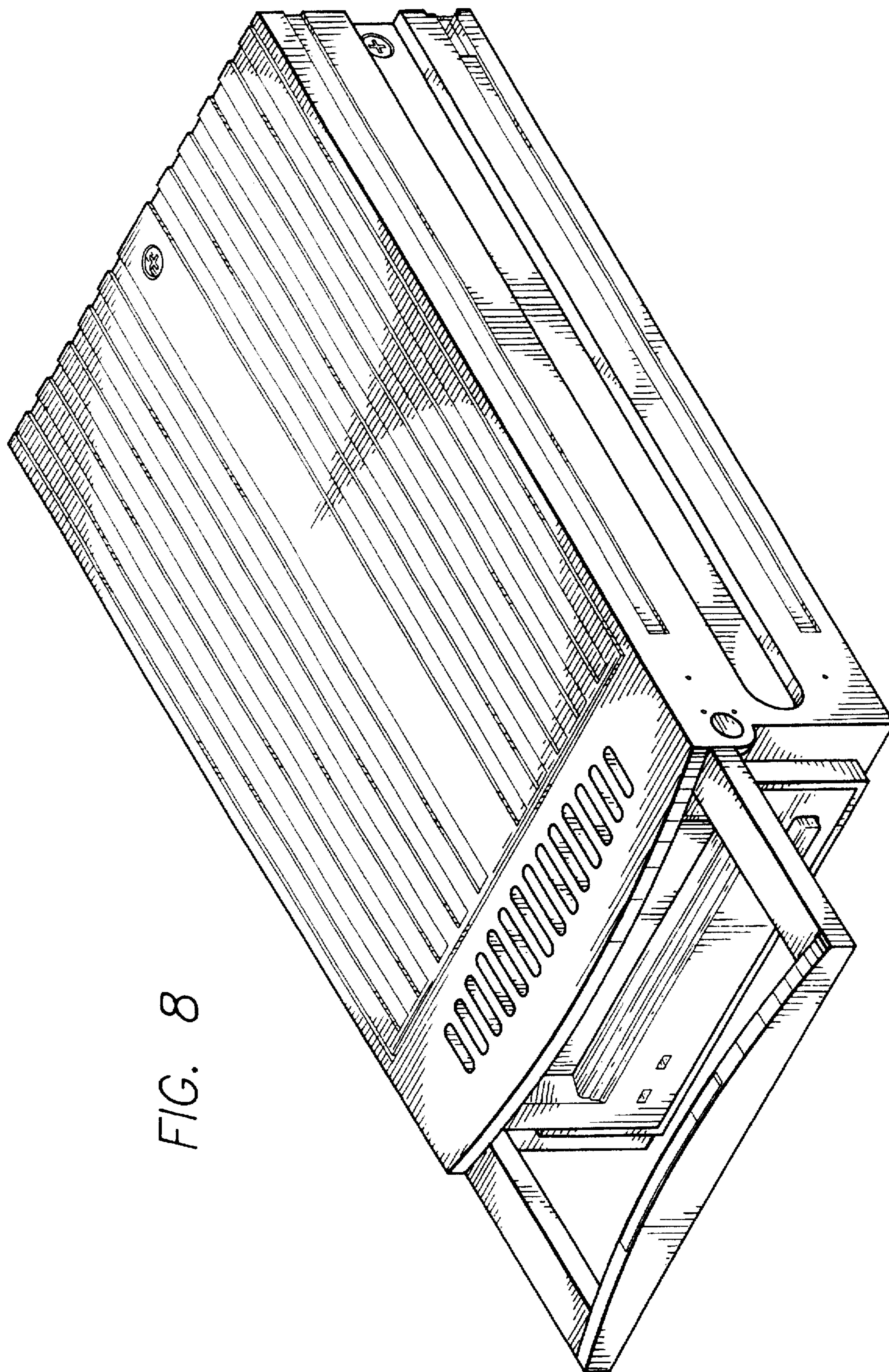


FIG. 8