



US00D391553S

United States Patent [19]

Okada

[11] Patent Number: **Des. 391,553**

[45] Date of Patent: ****Mar. 3, 1998**

[54] SWITCH BOX

[76] Inventor: **Eiji Okada**, 5-15-5, Nakanobu, Shinagawa-ku, Tokyo, Japan

[**] Term: **14 Years**

[21] Appl. No.: **51,026**

[22] Filed: **Feb. 21, 1996**

[30] Foreign Application Priority Data

Aug. 24, 1995 [JP] Japan 7-24646

[51] LOC (6) Cl. **13-03**

[52] U.S. Cl. **D13/158**

[58] Field of Search D13/158-178, D13/199; D4/101; 15/22.1, 23, 28, 105, 167.1

[56] References Cited

U.S. PATENT DOCUMENTS

D. 197,699	3/1964	Hall	D4/101
D. 353,490	12/1994	Hartwein	D4/101 X
5,177,826	1/1993	Vrignaud	15/22.1
5,341,534	8/1994	Serbinski et al.	15/22.1
5,365,627	11/1994	Jousson et al.	15/22.1
5,435,034	7/1995	Bigler et al.	15/22.1

Primary Examiner—James Gandy
Assistant Examiner—Cathron Matta
Attorney, Agent, or Firm—Flynn, Thiel, Boutell & Tanis, P.C.

[57] CLAIM

The ornamental design for a switch box, as shown and described.

DESCRIPTION

FIG. 1 is a front right bottom perspective view showing the switch box of my design;
FIG. 2 is a front view thereof;
FIG. 3 is a right side view thereof;
FIG. 4 is a left side view thereof;
FIG. 5 is a rear view thereof;
FIG. 6 is a bottom view thereof;
FIG. 7 is a rear left bottom perspective view thereof; and
FIG. 8 is an exploded reduced scale perspective view of the switch box shown with the environment thereof.
The top surface and interior of the switch box form no part of the claimed design.
The broken line showing of a toothbrush in FIG. 8 is for environmental purposes only, and forms no part of the claimed design.

1 Claim, 3 Drawing Sheets

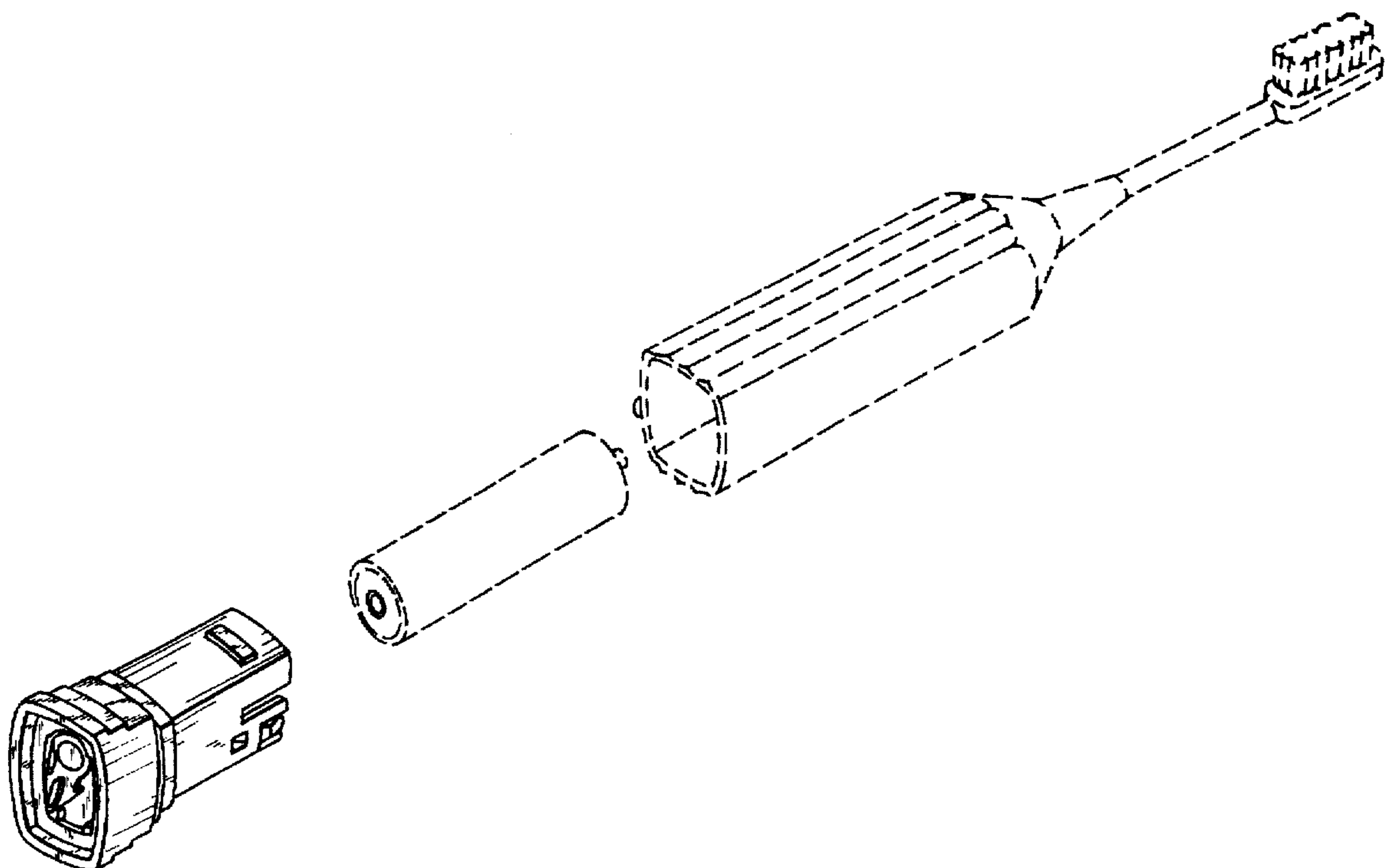


FIG. 1

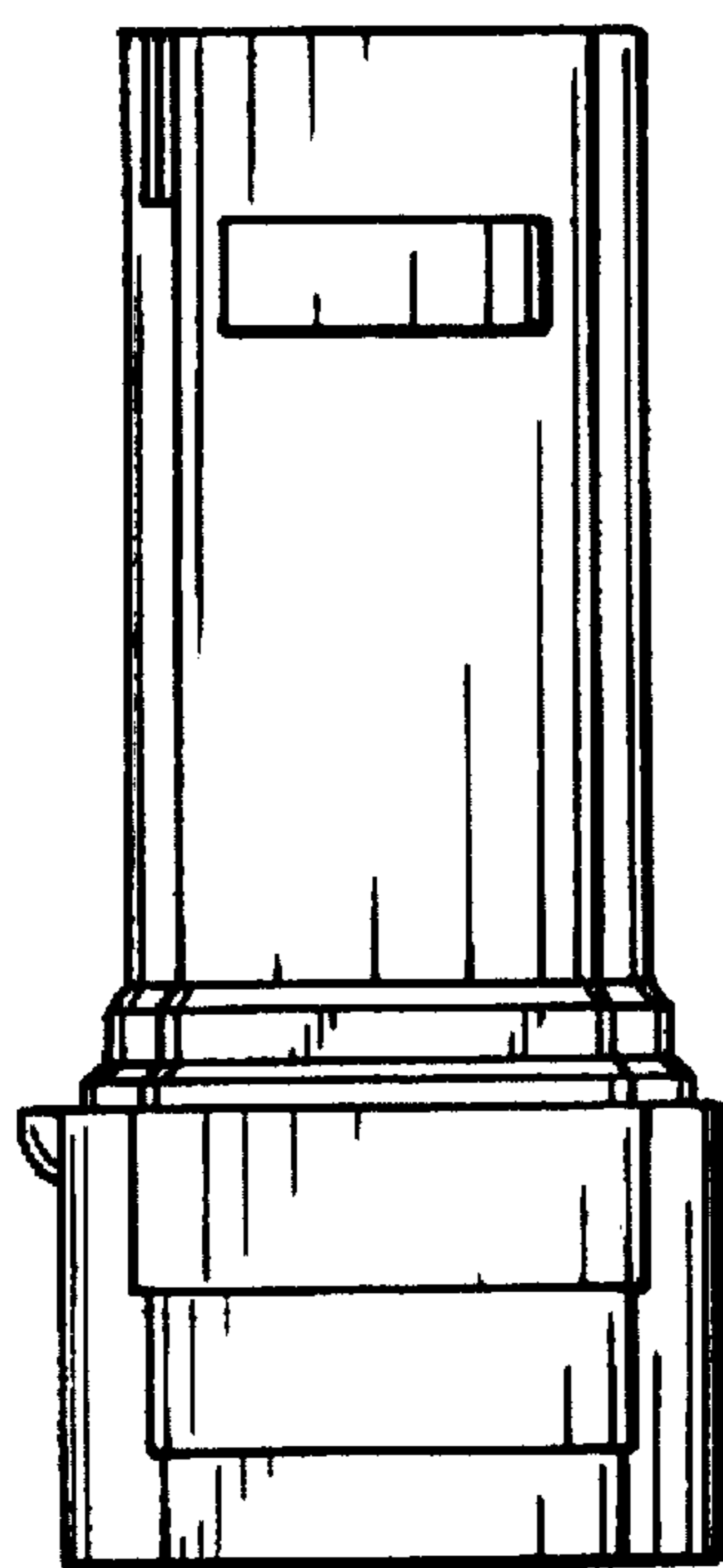
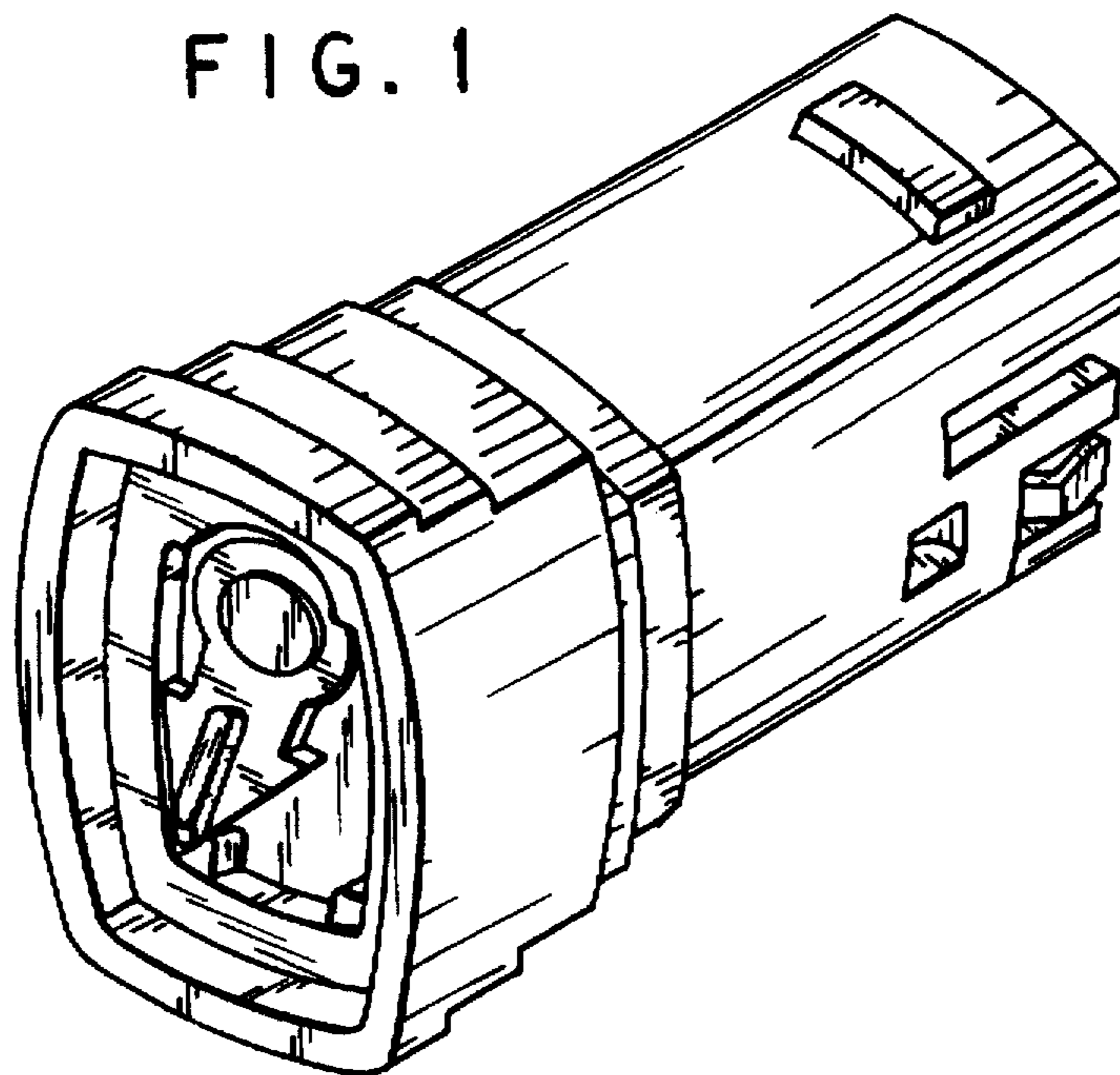


FIG. 2

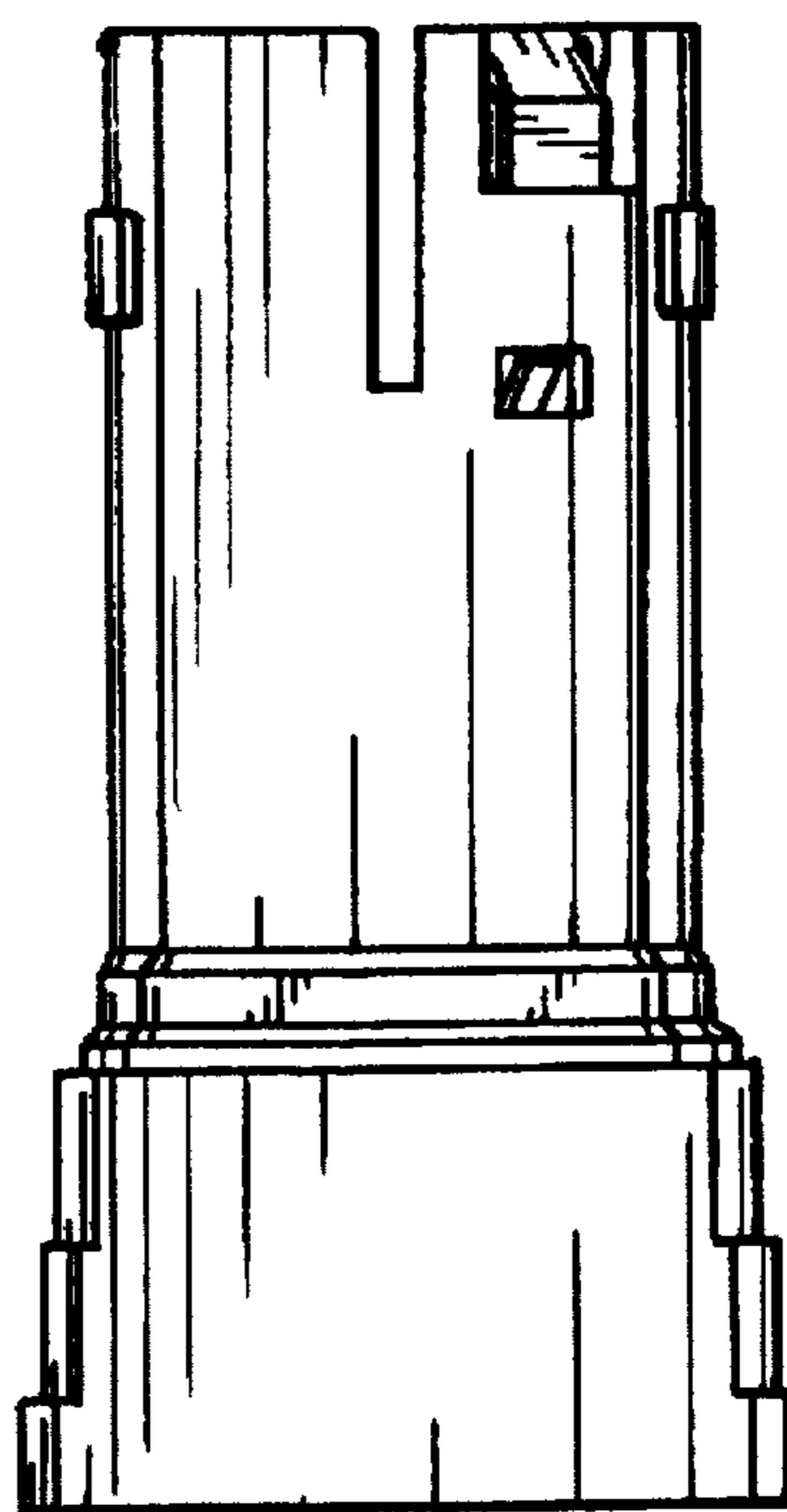


FIG. 3

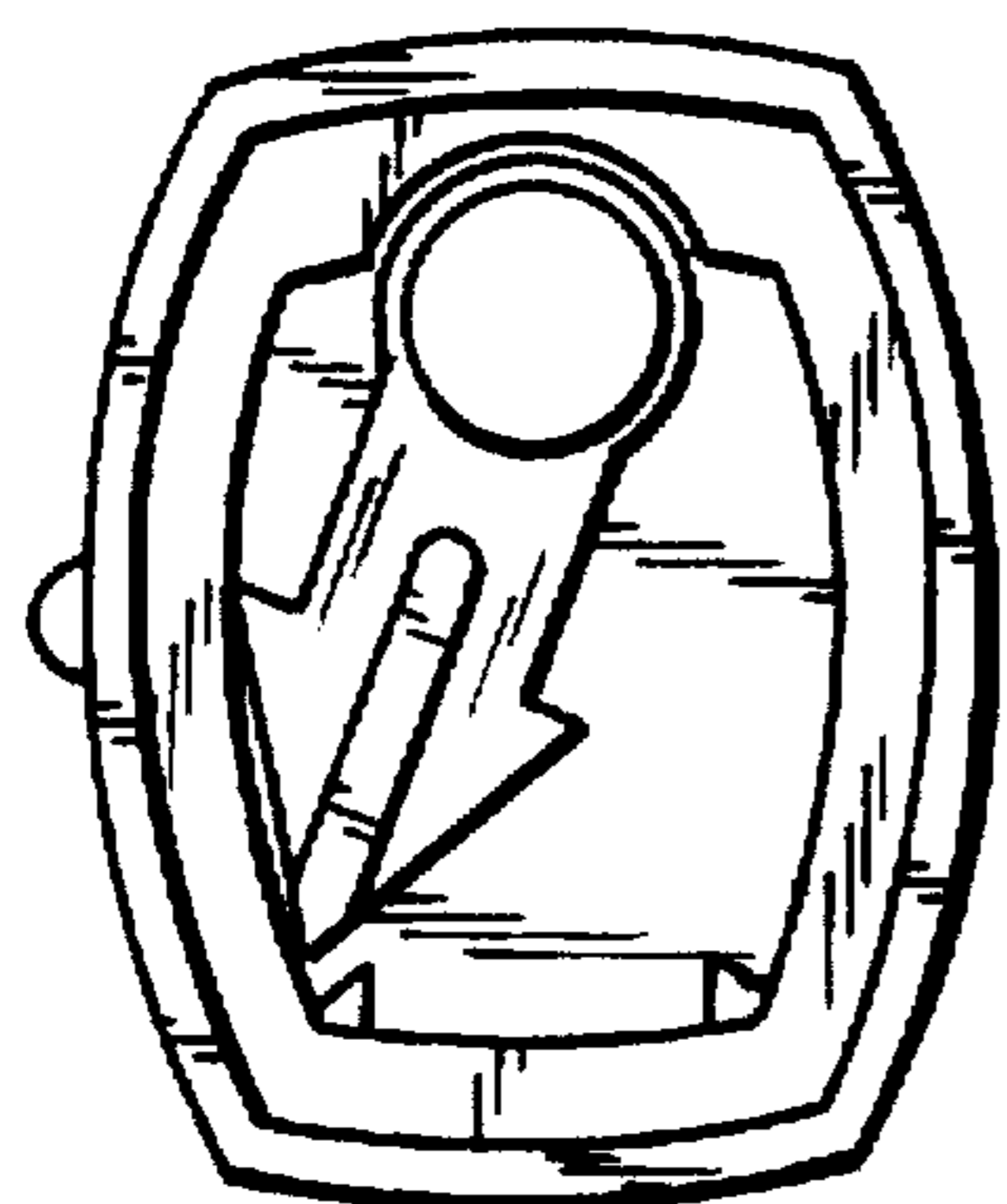


FIG. 6

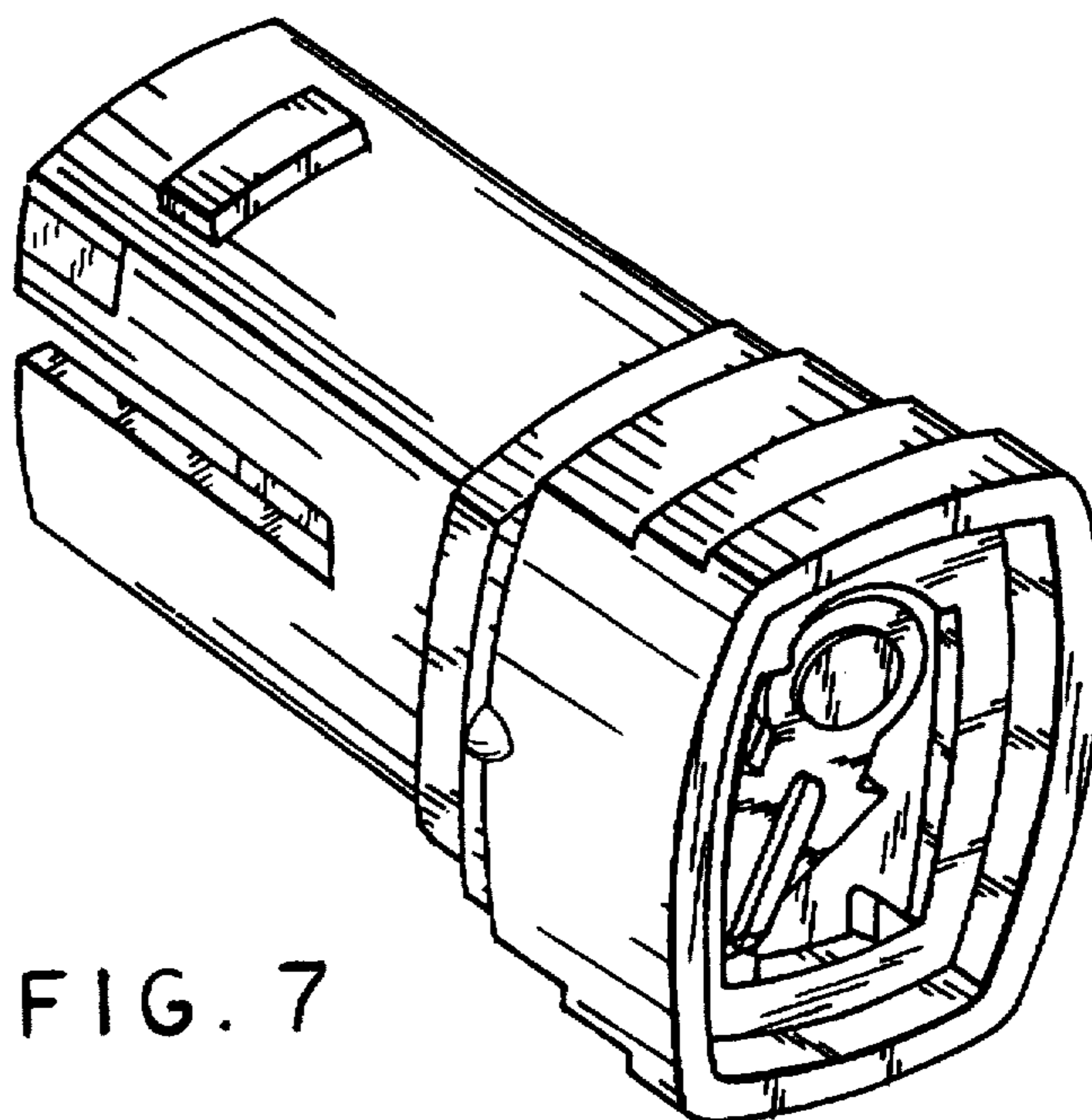


FIG. 7

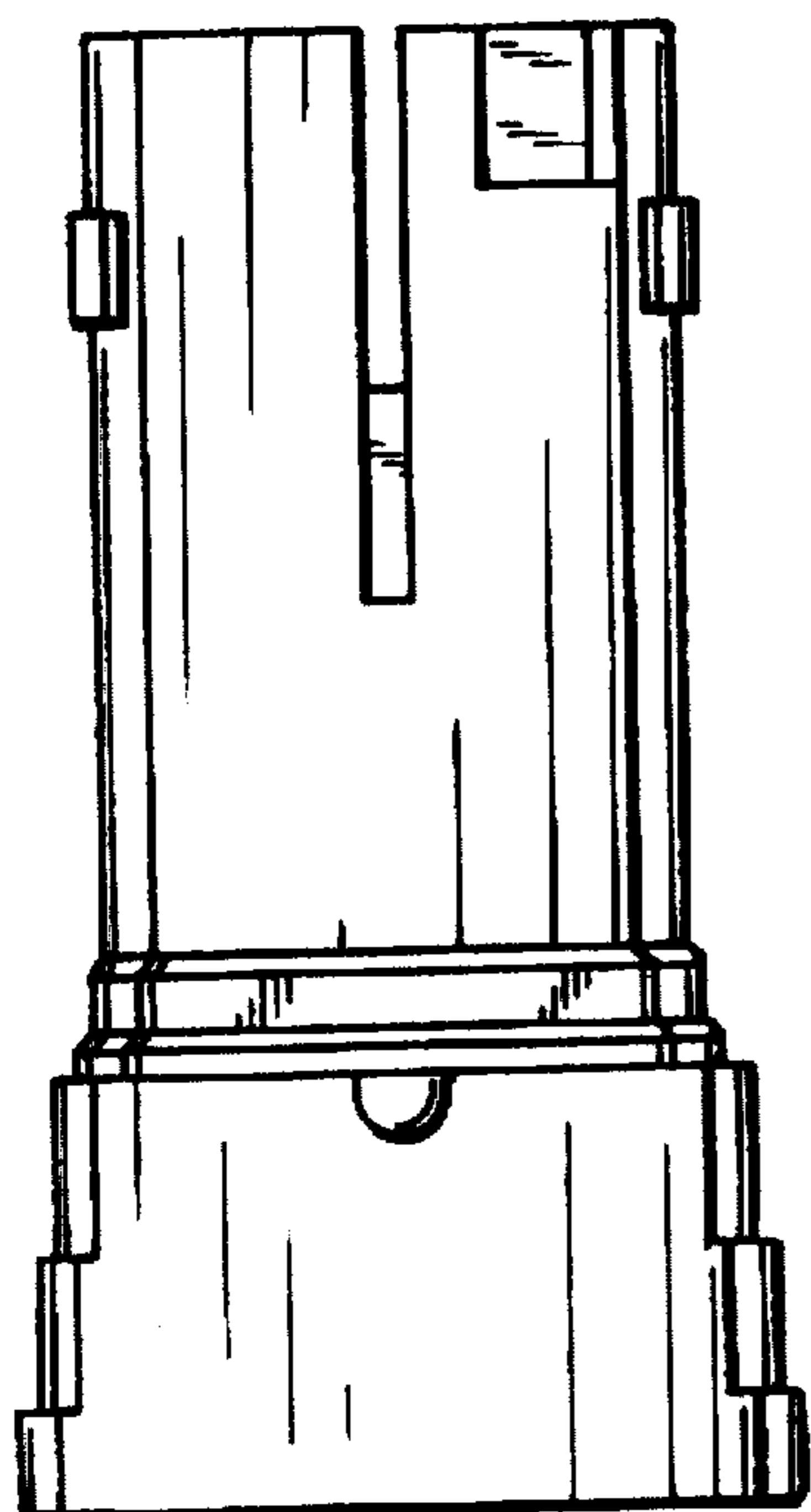


FIG. 4

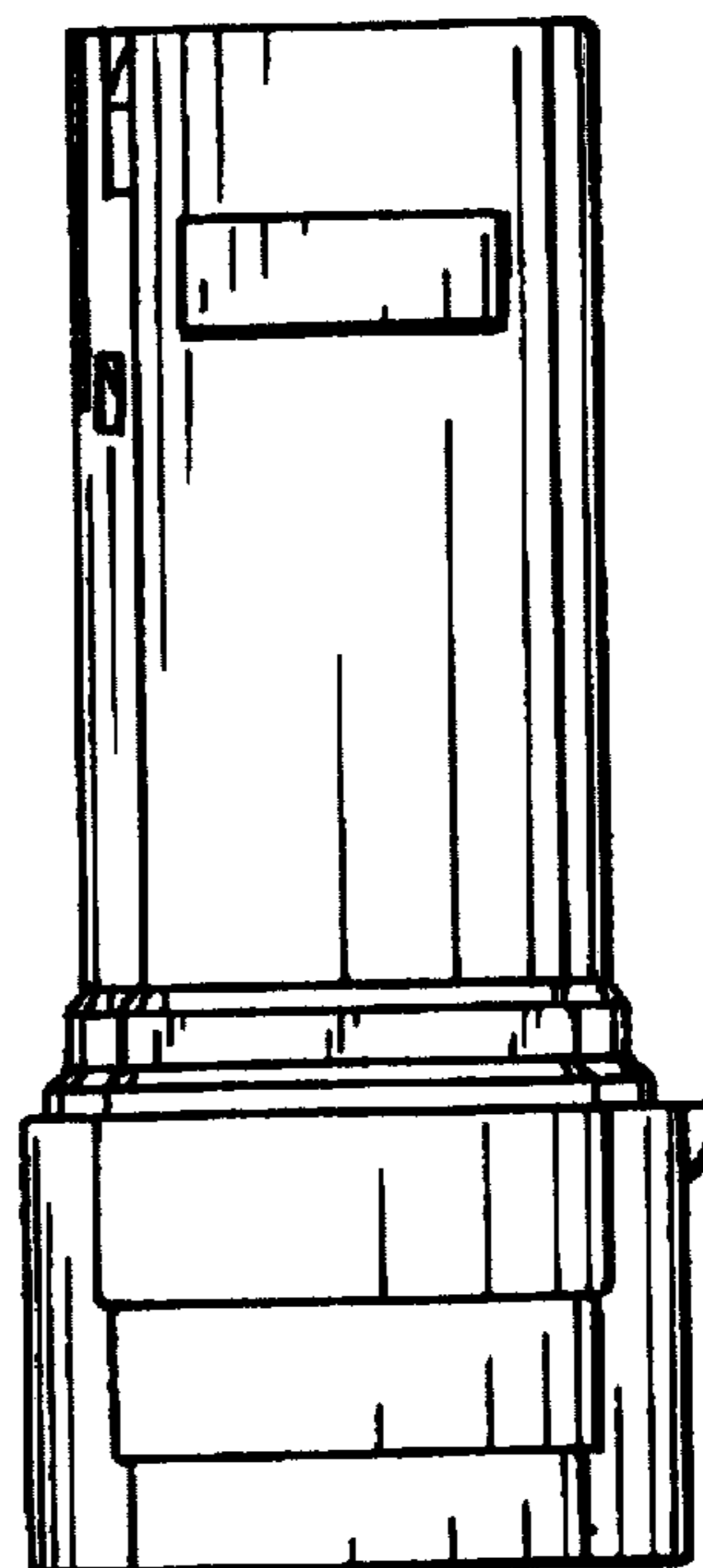


FIG. 5

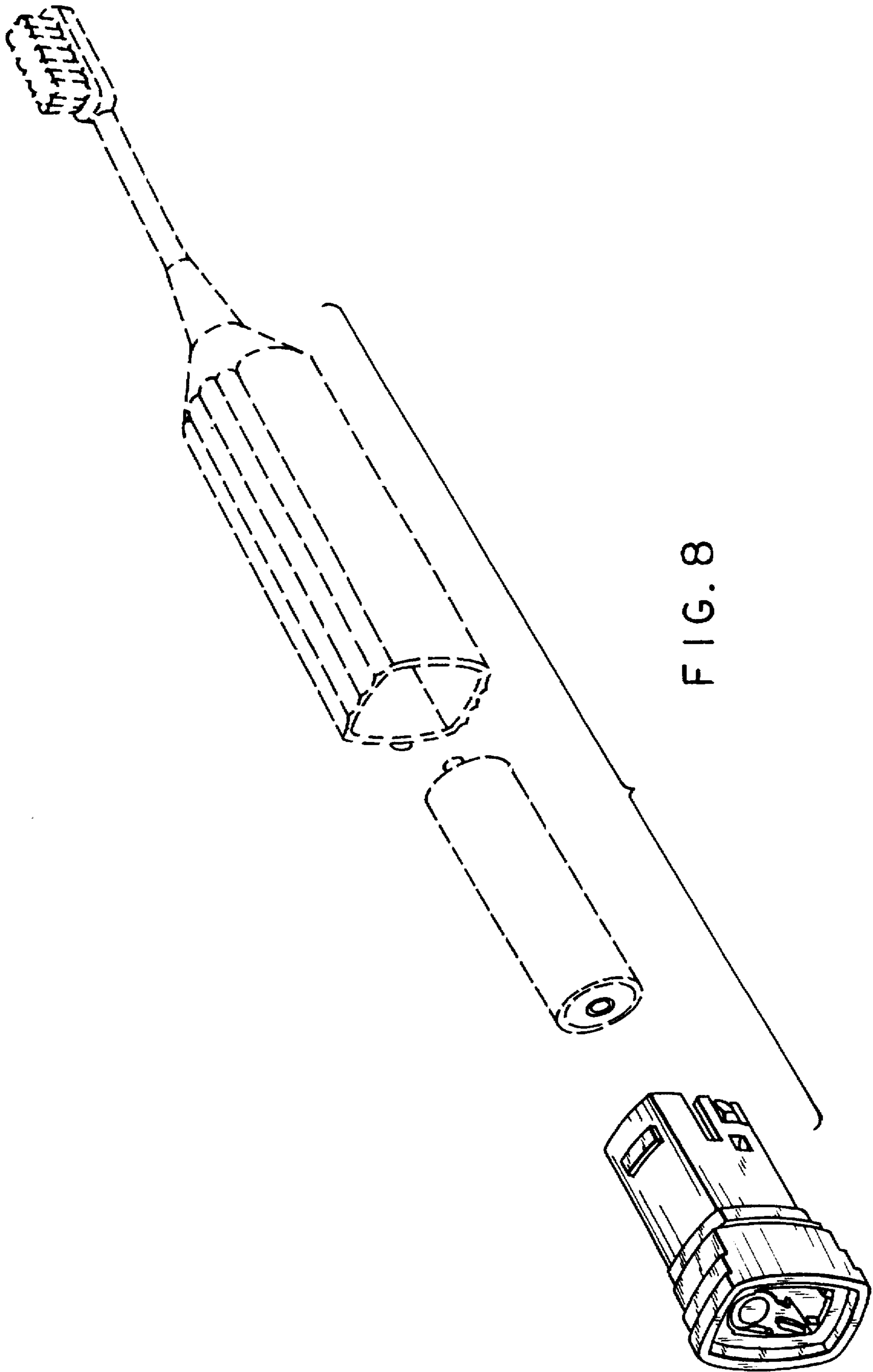


FIG. 8