

US00D391551S

# United States Patent [19] Ono

[11] Patent Number: **Des. 391,551**

[45] Date of Patent: **\*\*Mar. 3, 1998**

[54] **ELECTRICAL CONNECTOR**

5,017,156	5/1991	Sugiyama .....	439/607
5,035,652	7/1991	Shibano .....	439/610
5,083,945	1/1992	Miskin et al. ....	439/607

[75] Inventor: **Naoyuki Ono**, Tokyo, Japan

[73] Assignee: **SMK Corporation**, Tokyo, Japan

[\*\*] Term: **14 Years**

*Primary Examiner*—Alan P. Douglas  
*Assistant Examiner*—Lavone D. Tabor  
*Attorney, Agent, or Firm*—Armstrong, Westerman, Hattori,  
McLeland & Naughton

[21] Appl. No.: **59,172**

[22] Filed: **Sep. 4, 1996**

[30] **Foreign Application Priority Data**

Mar. 4, 1996 [JP] Japan ..... 8-5820

[51] **LOC (6) Cl.** ..... **13-03**

[52] **U.S. Cl.** ..... **D13/147**

[58] **Field of Search** ..... D13/133, 146,  
D13/147; 439/101, 108, 607-610, 676,  
660, 668, 682

[56] **References Cited**

### U.S. PATENT DOCUMENTS

D. 252,268	7/1979	Jonsson .....	D13/147
D. 336,632	6/1993	Nakata et al. ....	D13/133

### [57] CLAIM

The ornamental design for an electrical connector, as shown and described.

### DESCRIPTION

FIG. 1 is a perspective view taken from the top left hand end of FIG. 2 of an electrical connector showing my new ornamental design;  
FIG. 2 is a front elevational view thereof;  
FIG. 3 is a rear elevational view thereof;  
FIG. 4 is a top view thereof;  
FIG. 5 is a bottom view thereof; and,  
FIG. 6 is a side view thereof taken from the right side, the left side view being a mirror image thereof.

**1 Claim, 2 Drawing Sheets**

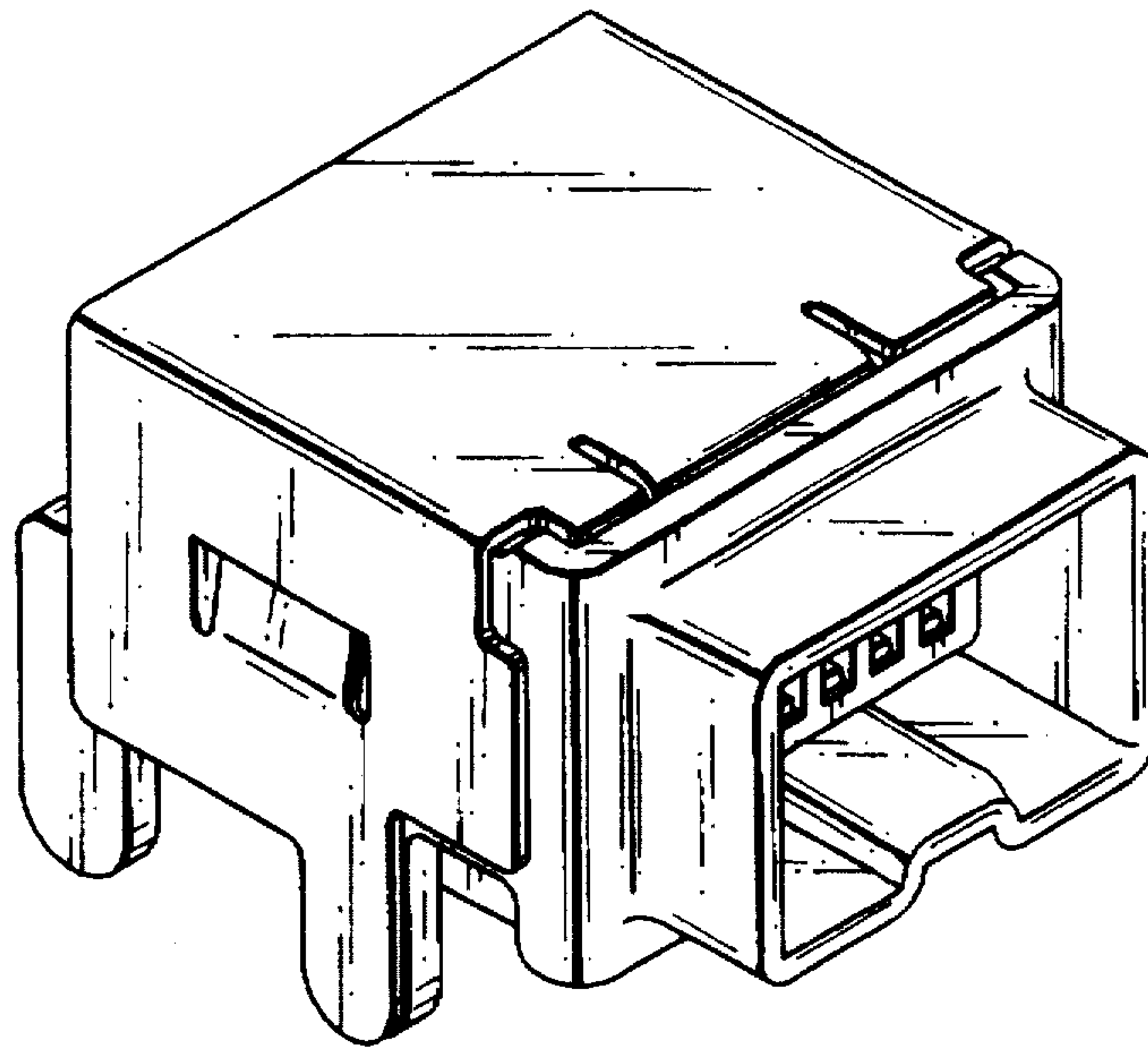


FIG. 1

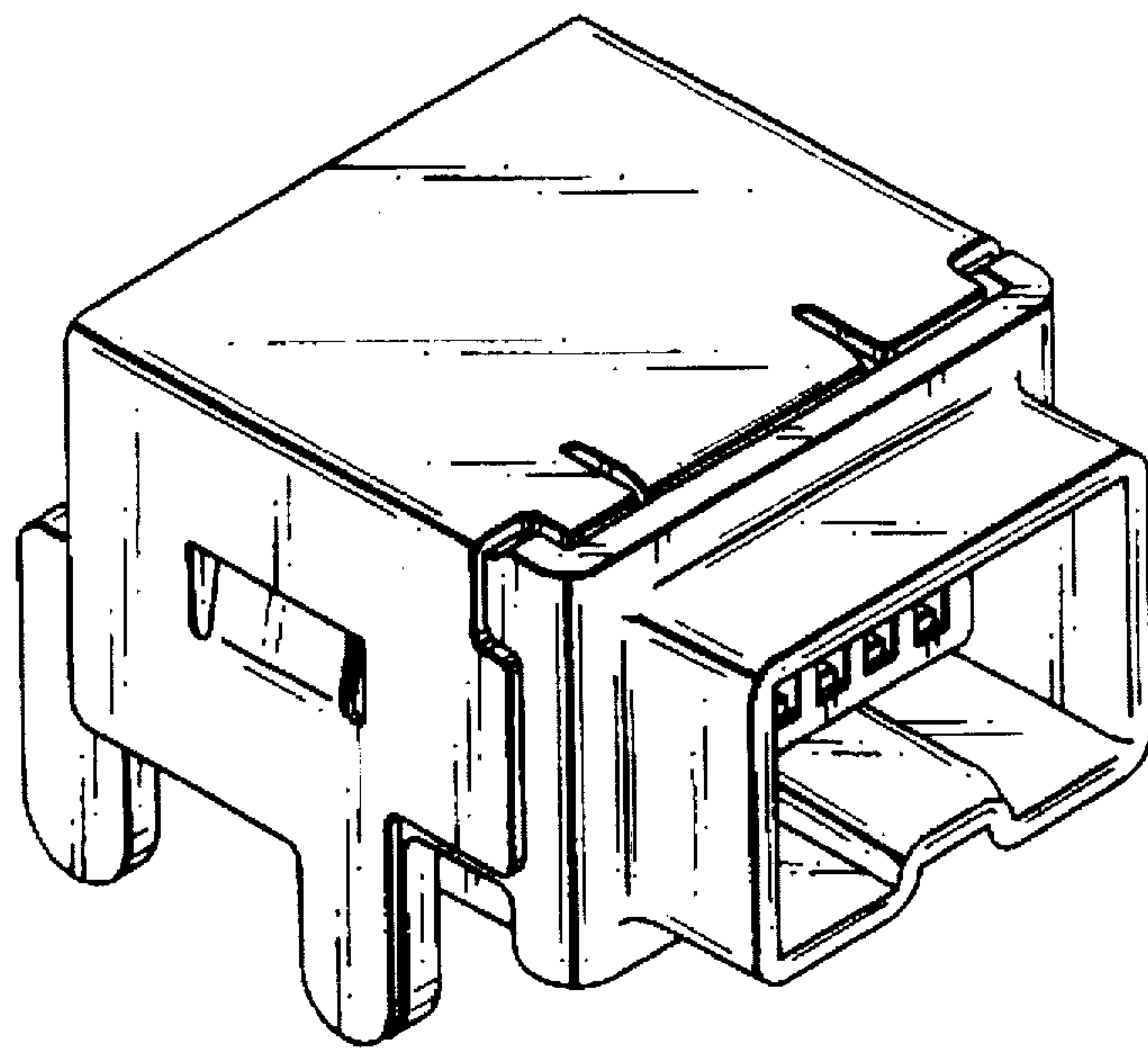


FIG. 2

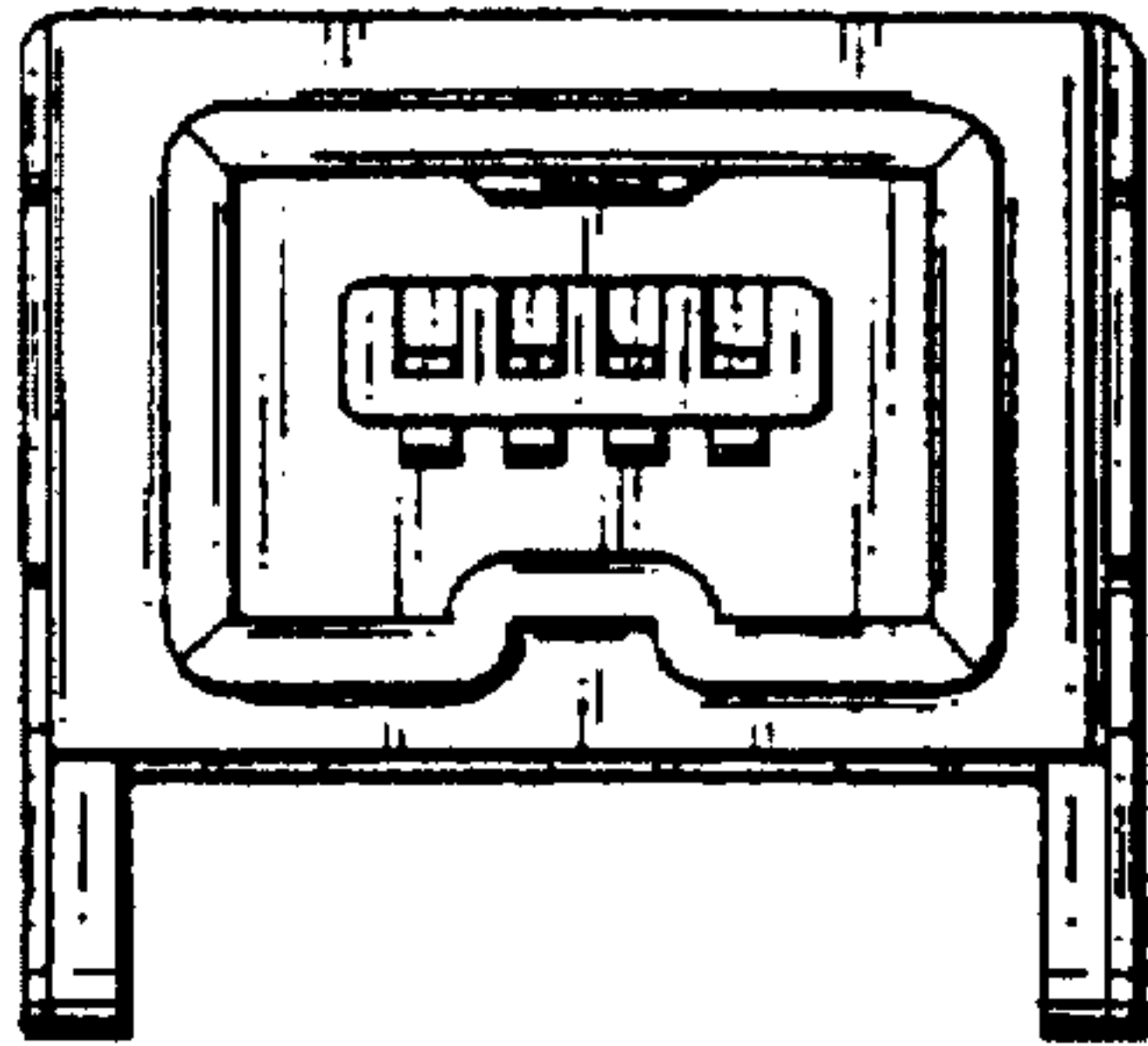


FIG. 3

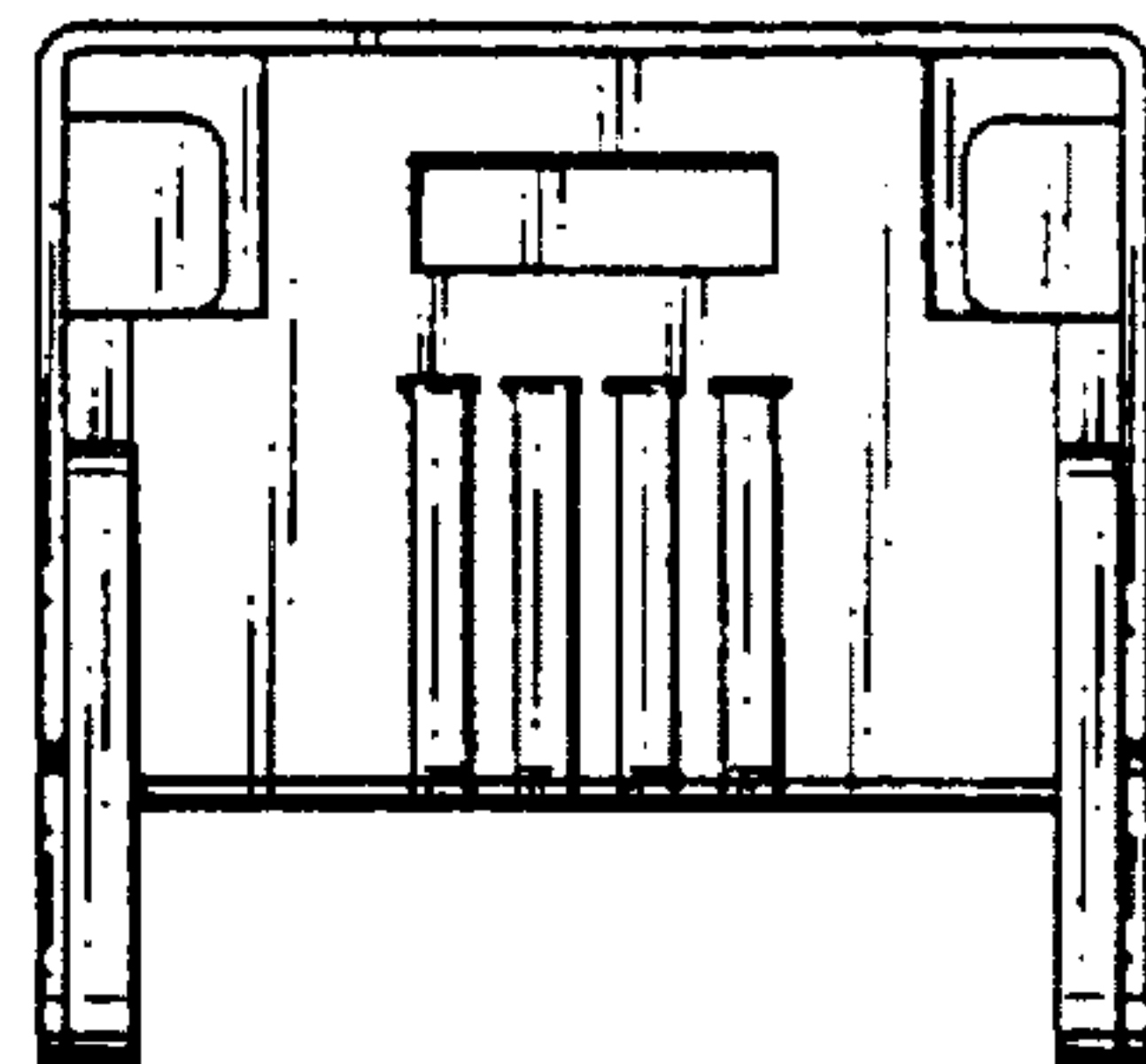


FIG. 4

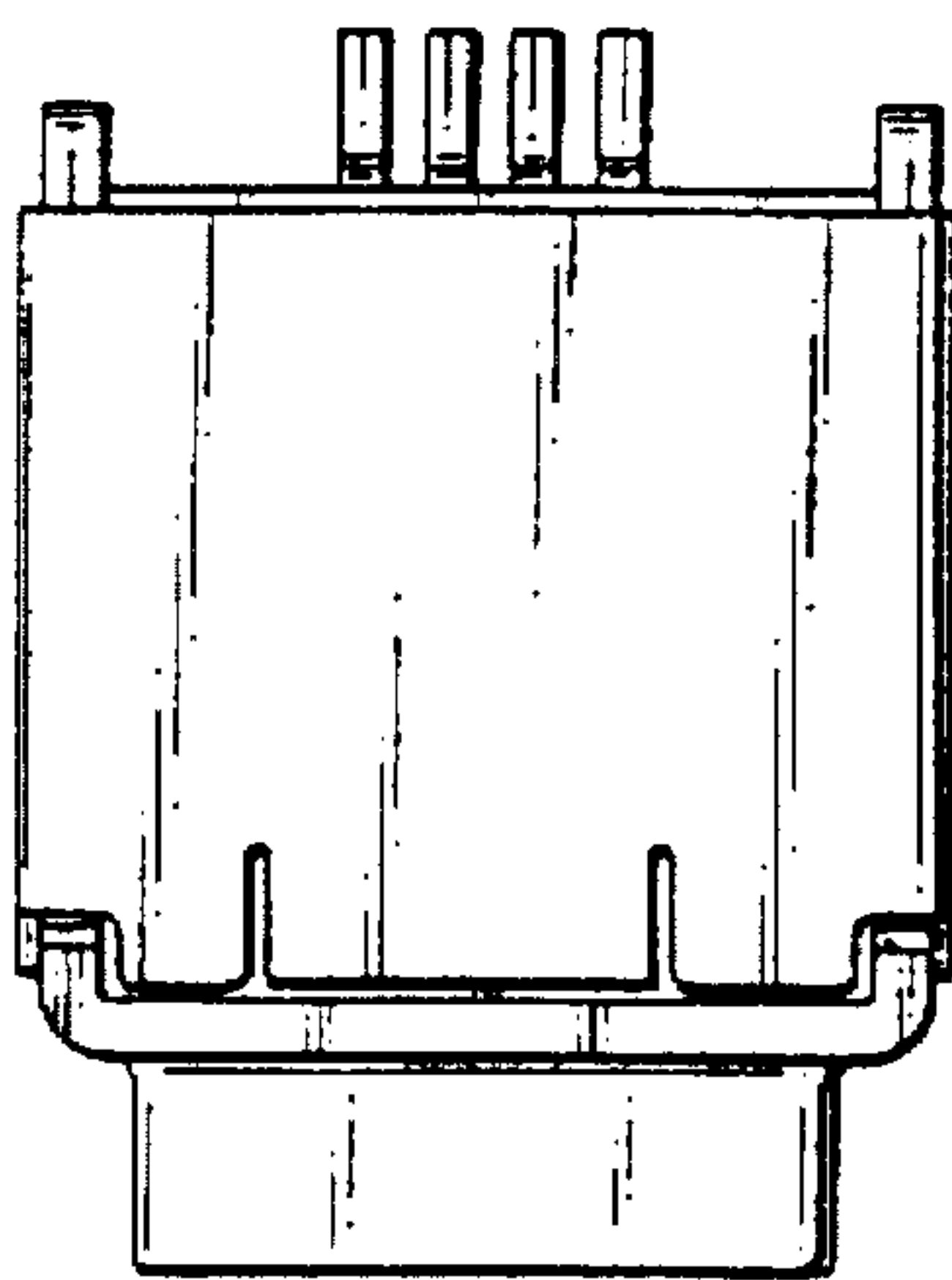


FIG. 5

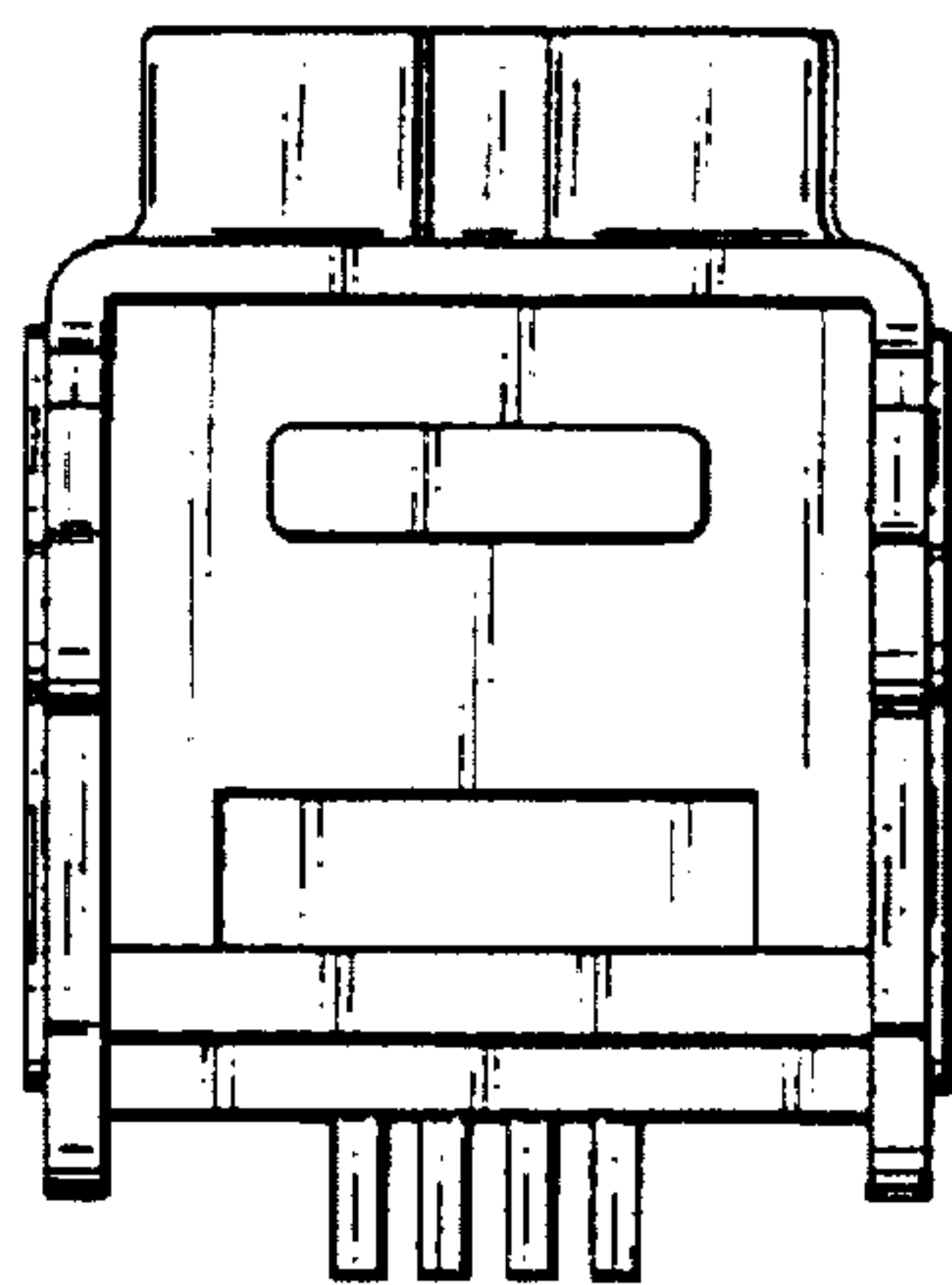


FIG. 6

