



US00D391549S

United States Patent [19]

Ness

[11] Patent Number: **Des. 391,549**

[45] Date of Patent: ****Mar. 3, 1998**

[54] **CORD REEL**

[75] Inventor: **Randolph Peter Ness, Ryley, Canada**

[73] Assignee: **The Reel-Thing Innovations Inc.,
Sherwood Park, Canada**

[**] Term: **14 Years**

[21] Appl. No.: **54,014**

[22] Filed: **May 6, 1996**

[30] **Foreign Application Priority Data**

Nov. 4, 1995 [CA] Canada 1995-2462

[51] LOC (6) Cl. **13-03**

[52] U.S. Cl. **D13/140**

[58] Field of Search D13/140; D8/358;
191/12.2 R, 12.4; 439/501, 502, 4; 242/400,
400.1, 560, 595, 598.6

[56] **References Cited**

U.S. PATENT DOCUMENTS

D. 226,165 1/1973 Miller D8/358

D. 275,263	8/1984	Cutler	D8/358
D. 316,666	5/1991	Ishimaru	D13/140 X
D. 329,637	9/1992	Sutton	D13/140
4,844,359	7/1989	Kato	191/12.2 R
5,535,960	7/1996	Skowronski et al.	191/12.2 R

Primary Examiner—Joel Sincavage
Attorney, Agent, or Firm—Anthony R. Lambert

[57] **CLAIM**

The ornamental design for a cord reel, as shown and described.

DESCRIPTION

FIG. 1 is a perspective view;
FIG. 2 is a right side elevation view, the left side elevation view being a mirror image thereof. The broken line showing of the plug is included for the purpose of illustrating the article in which the design is embodied only and forms no part of the claimed design;
FIG. 3 is a top plan view;
FIG. 4 is a bottom plan view;
FIG. 5 is a front end view; and,
FIG. 6 is a back end view.

1 Claim, 3 Drawing Sheets

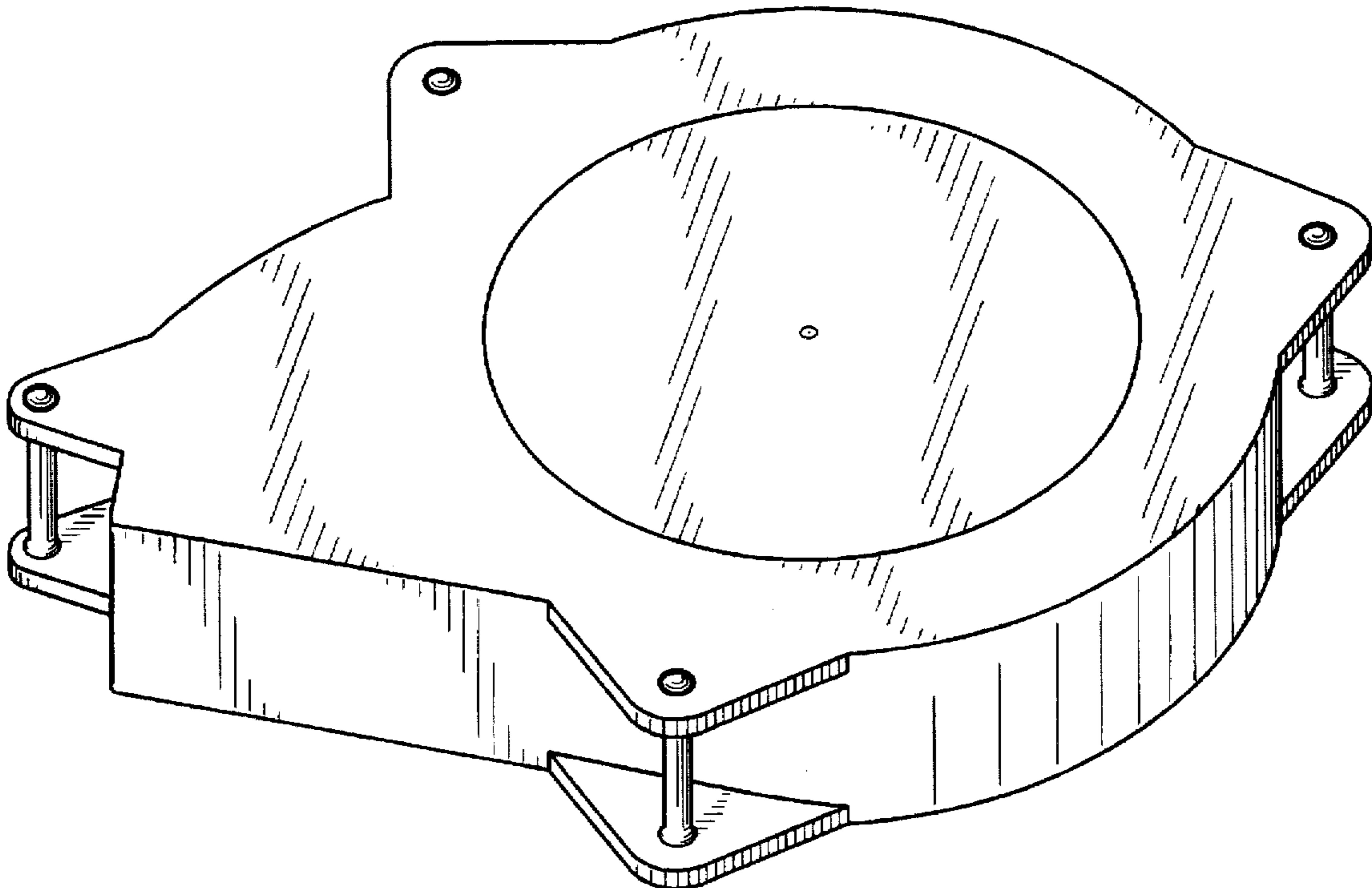


FIG. 1.

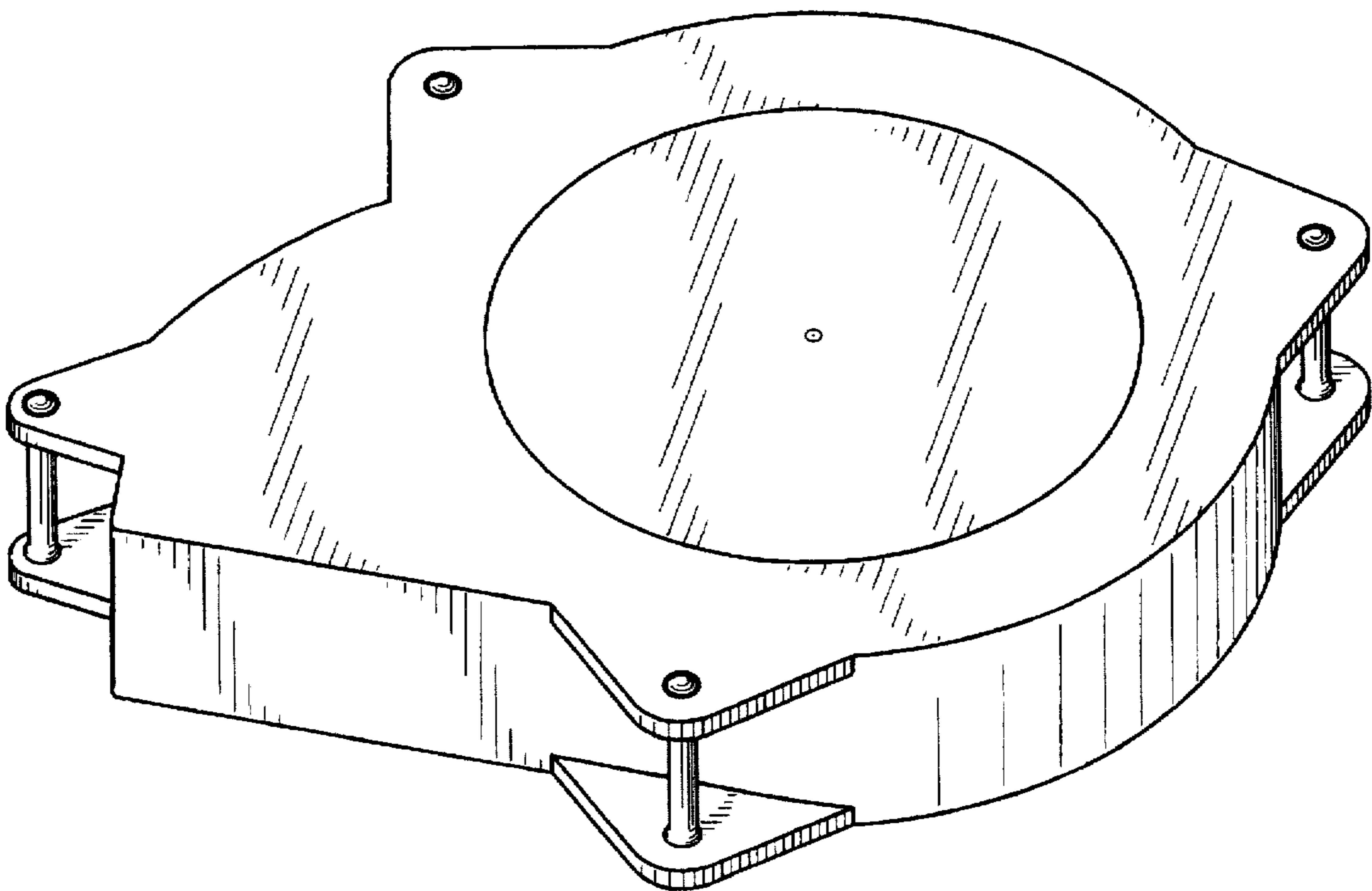


FIG. 2.

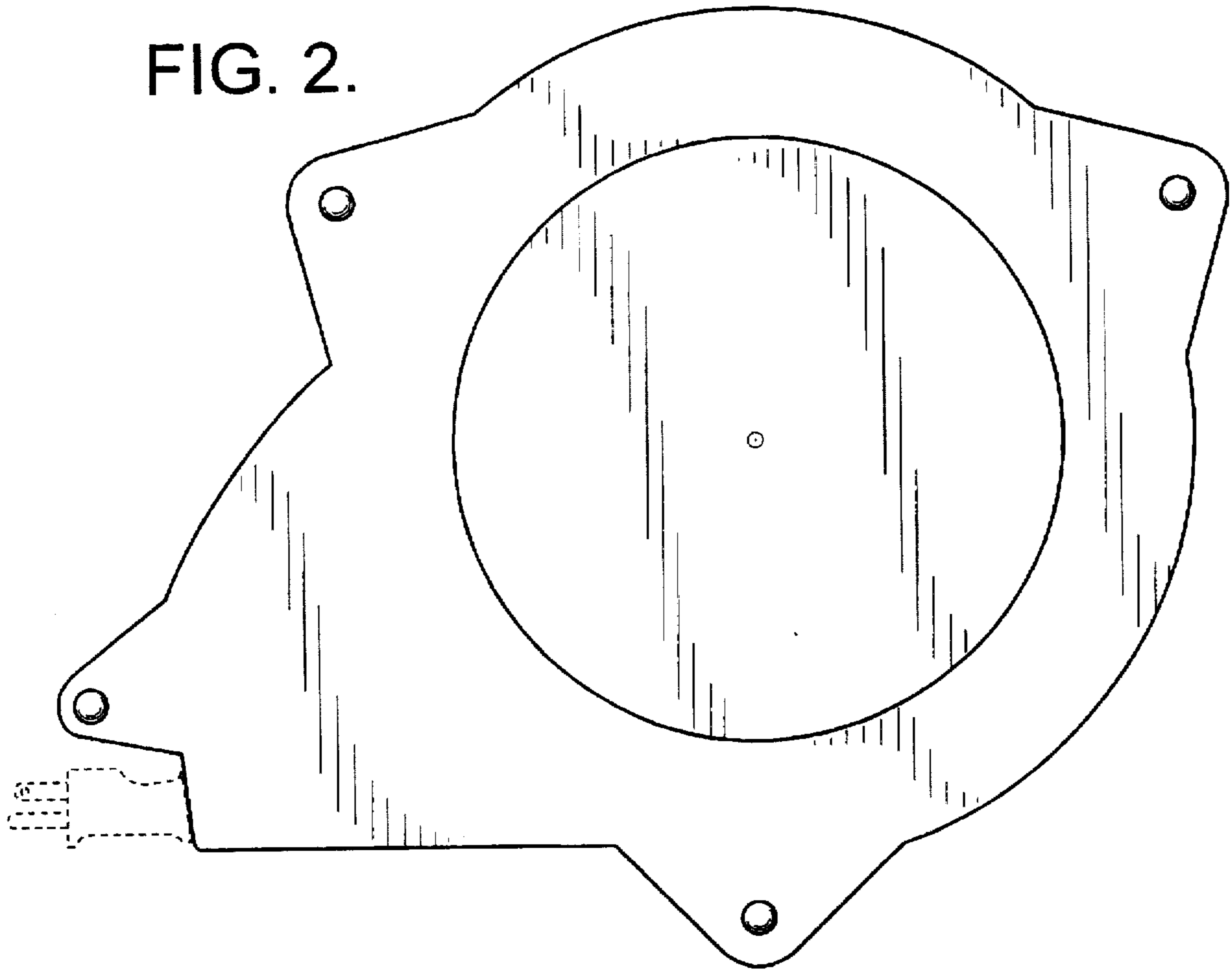


FIG. 3.

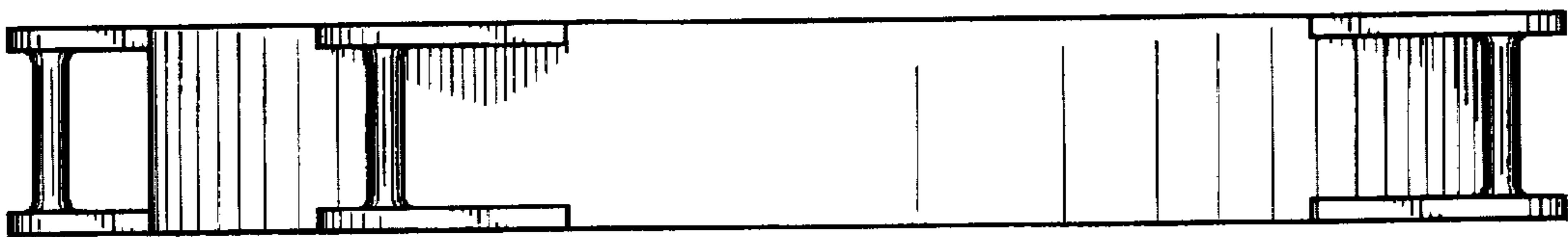


FIG. 4.

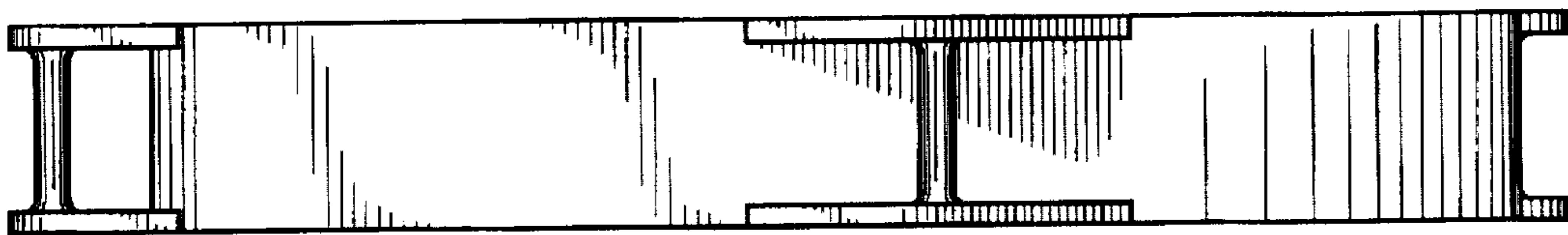


FIG. 5.

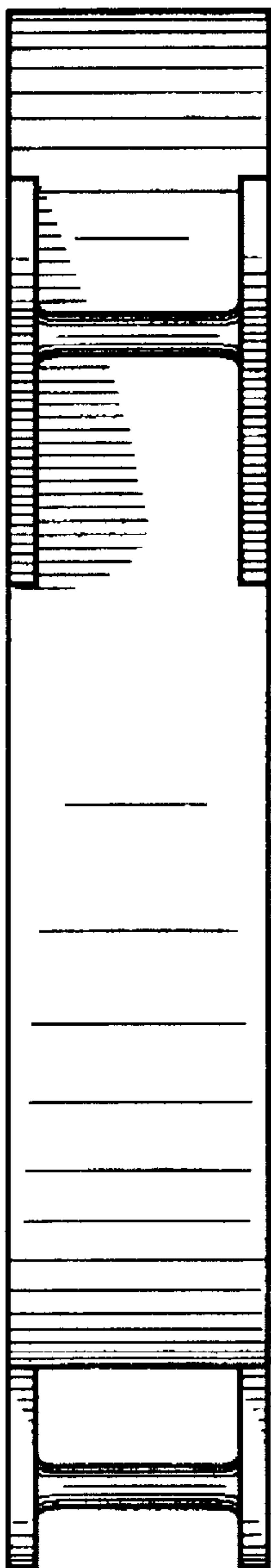


FIG. 6.

