



US00D391548S

United States Patent [19]

Sato et al.

[11] Patent Number: **Des. 391,548**

[45] Date of Patent: ****Mar. 3, 1998**

[54] **LAMP SOCKET**

[75] Inventors: **Katunori Sato**, Shioya-gun; **Hiroyoshi Nishihara**; **Kazuaki Murata**, both of Tokyo, all of Japan

[73] Assignee: **Moriyama Sangyo Kabushiki Kaisha**, Tokyo, Japan

[**] Term: **14 Years**

[21] Appl. No.: **55,245**

[22] Filed: **Jun. 3, 1996**

[30] **Foreign Application Priority Data**

Dec. 22, 1995 [JP] Japan 7-38635

[51] **LOC (6) CL** **13-03**

[52] **U.S. Cl.** **D13/134**

[58] **Field of Search** **D13/133-135;**
D26/1, 3, 24, 138; 362/226; 439/239-241,
602, 603

[56] **References Cited**

U.S. PATENT DOCUMENTS

D. 281,682 12/1985 Pfeiffer, Jr. D13/134

D. 336,892 6/1993 Fitzgerald D13/134
D. 343,384 1/1994 Stone, Jr. et al. D13/134

Primary Examiner—James Gandy
Assistant Examiner—Cathron B. Matta
Attorney, Agent, or Firm—Morrison Law Firm

[57] **CLAIM**

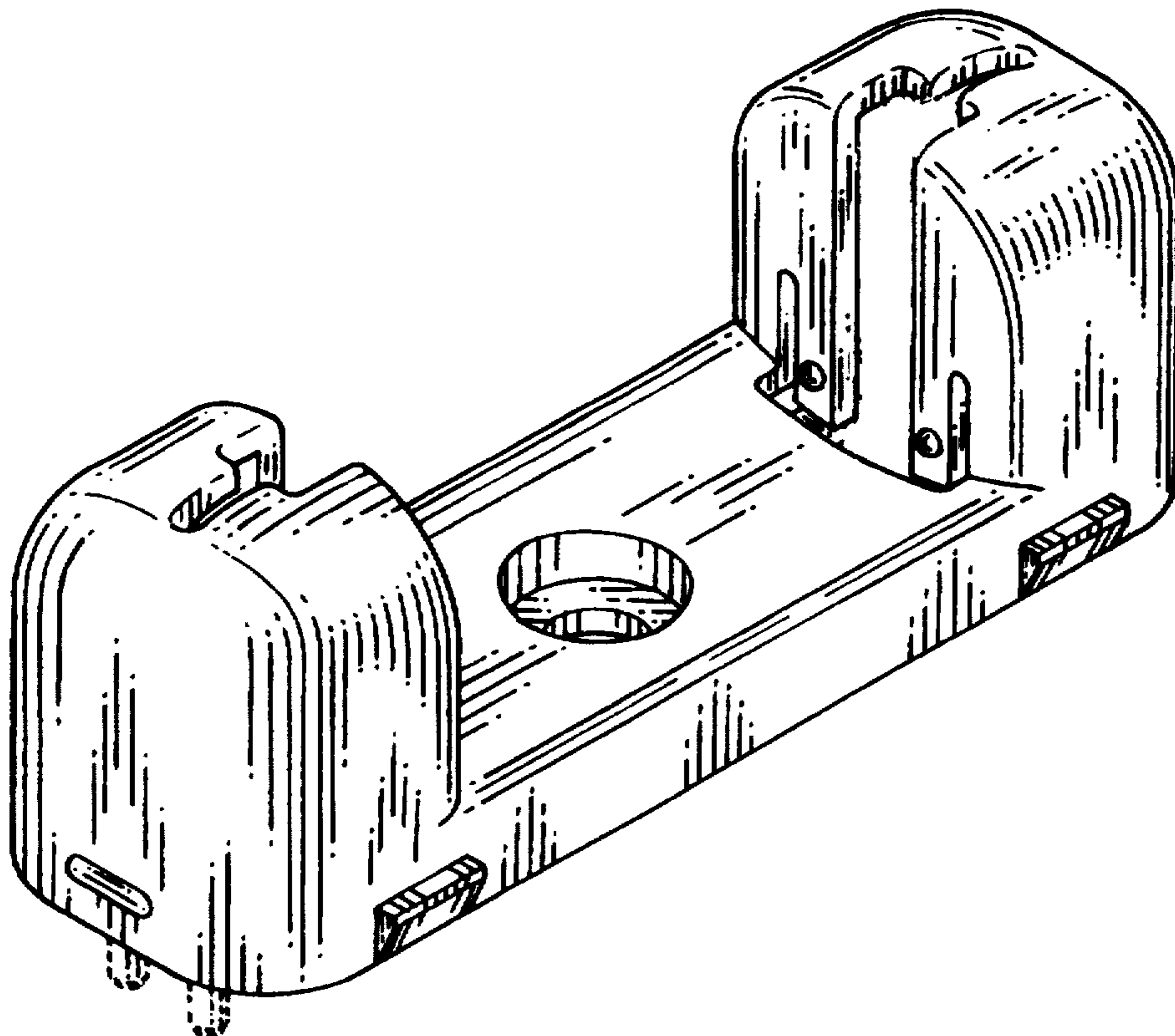
The ornamental design for a lamp socket, as shown and described.

DESCRIPTION

FIG. 1 is a perspective view of the lamp socket;
FIG. 2 is a front elevational view of the lamp socket, the rear view being a mirror image thereof;
FIG. 3 is a top plan view thereof;
FIG. 4 is a right side elevational view thereof, the left side being a mirror image thereof; and,
FIG. 5 is a perspective view thereof.

The broken line showing of the lamp, socket base, and elements on the bottom of the lamp socket are for illustrative purposes only and form no part of the claimed design.

1 Claim, 3 Drawing Sheets



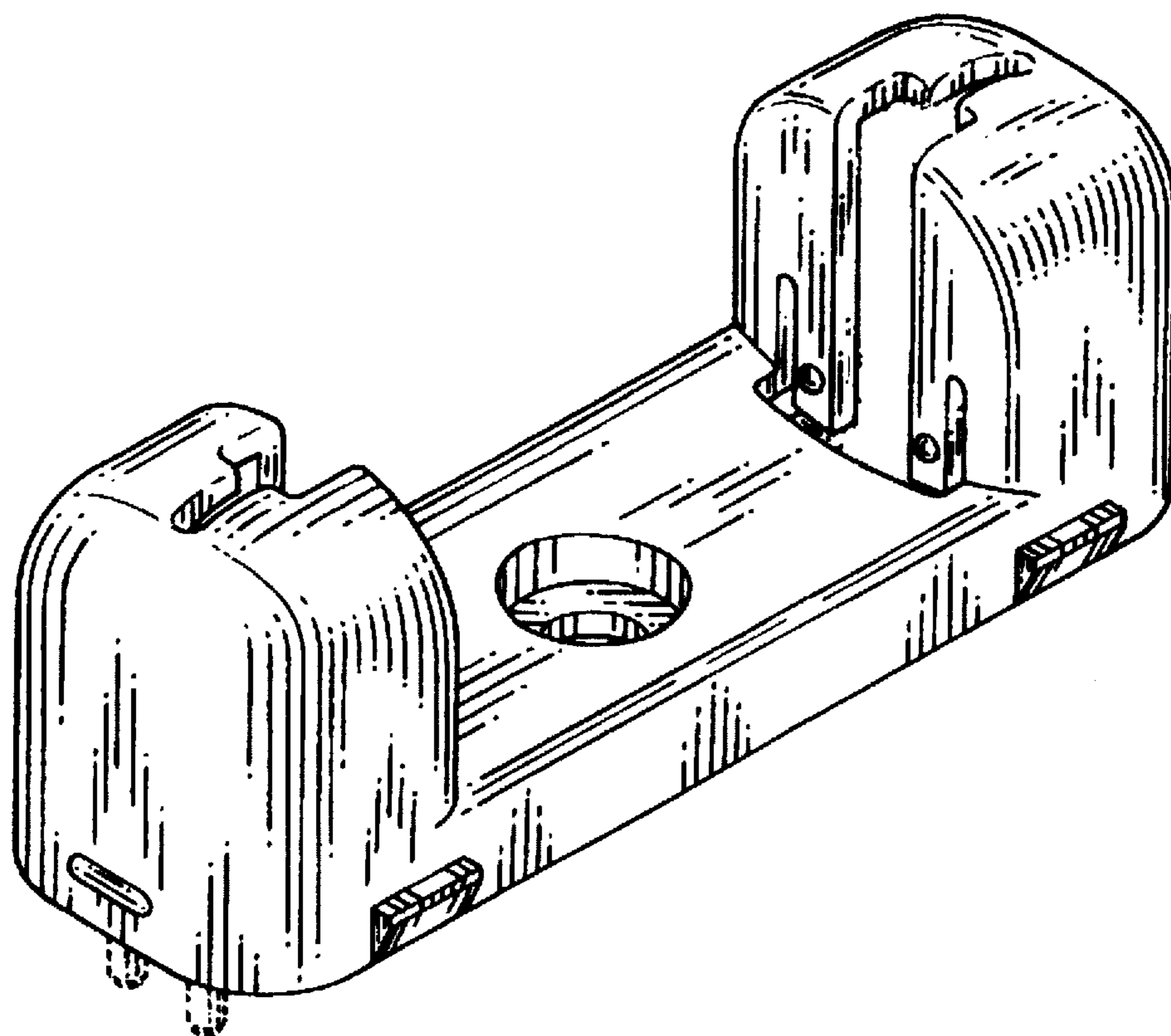


FIG. 1

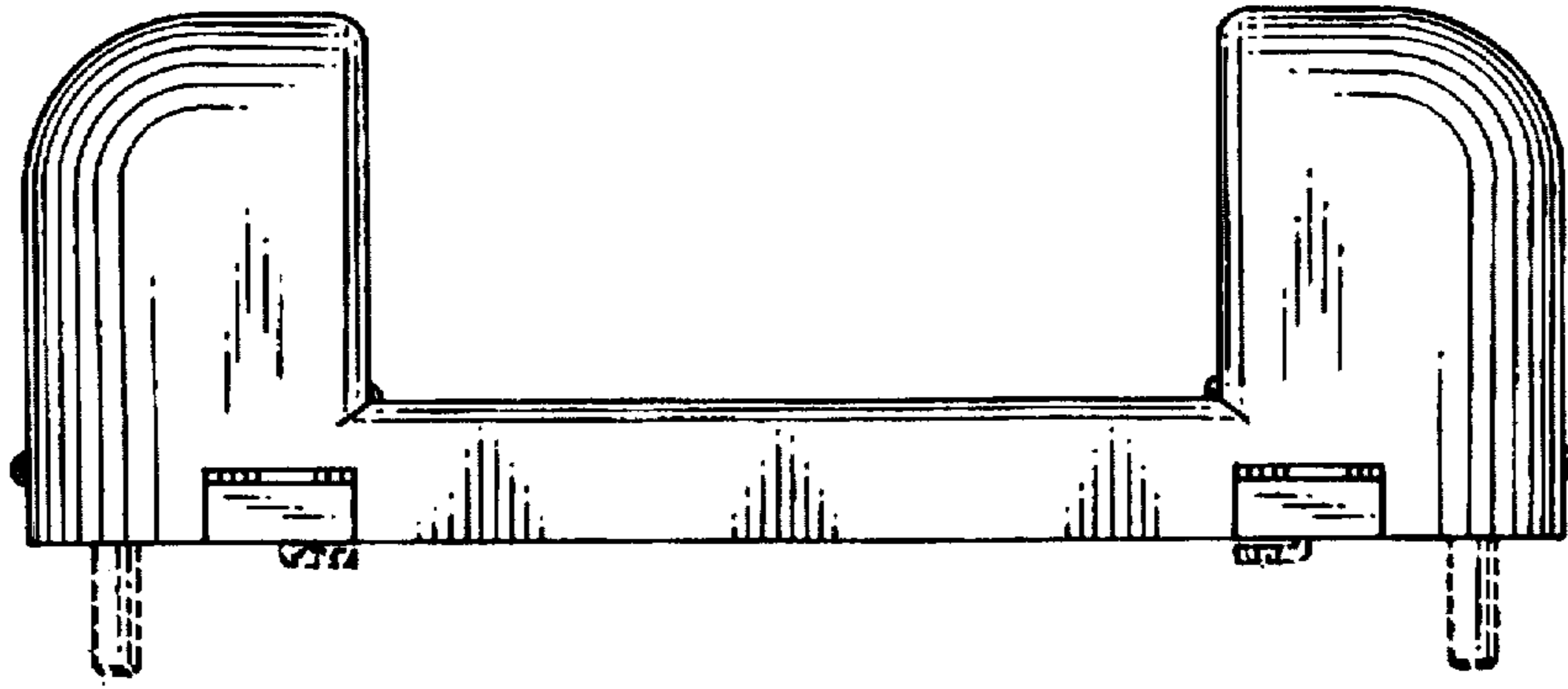


FIG. 2

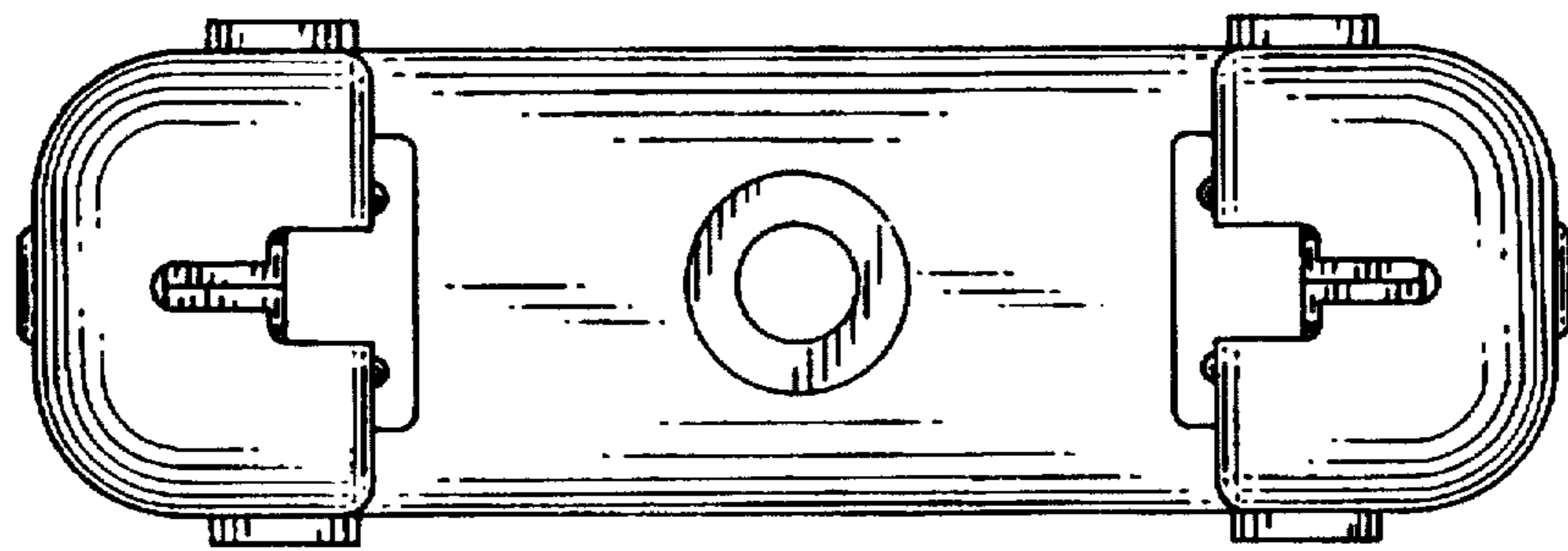


FIG. 3

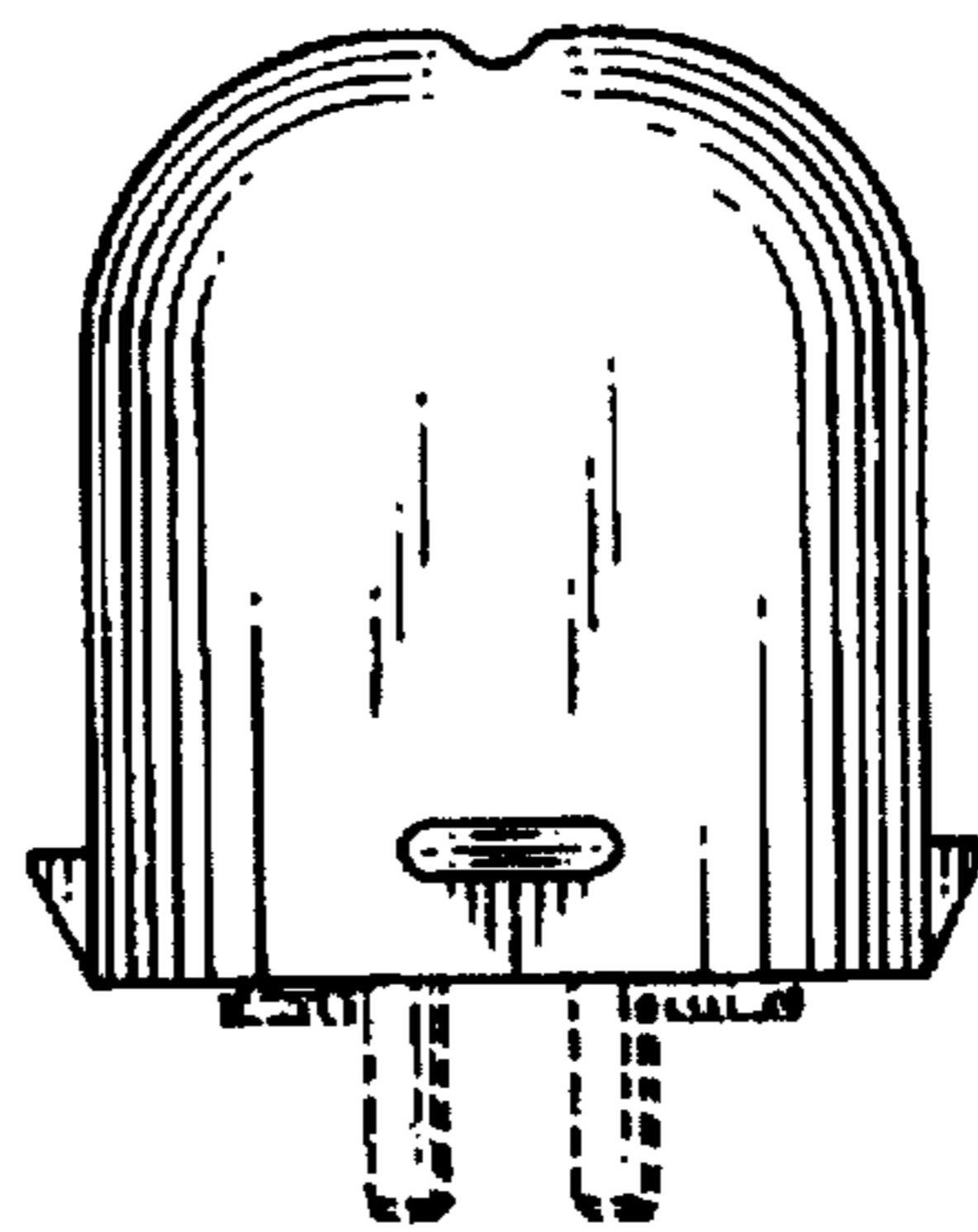


FIG. 4

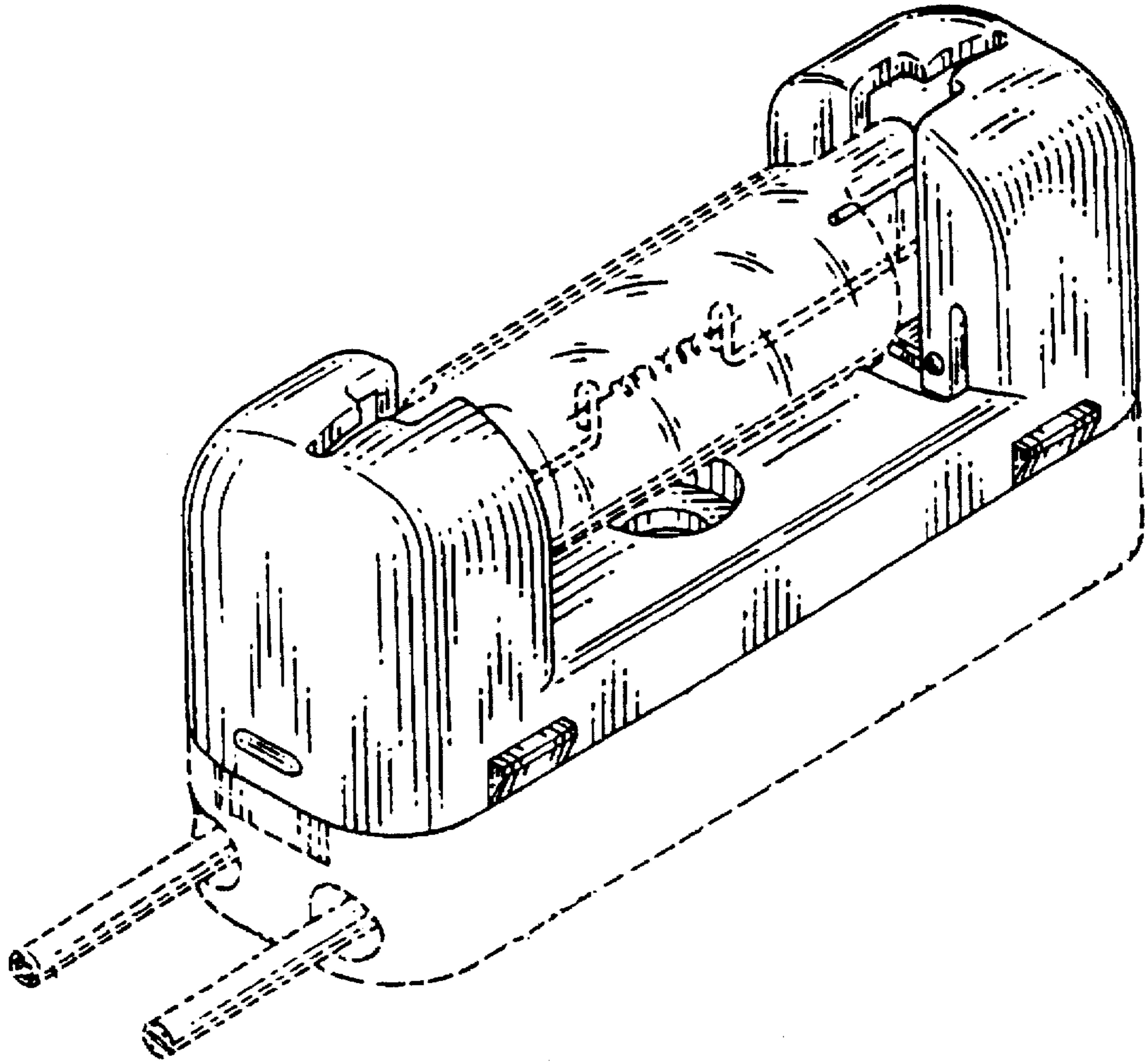


FIG. 5