

US00D391546S

# United States Patent [19]

Frink et al.

[11] Patent Number: **Des. 391,546**

[45] Date of Patent: **\*\*Mar. 3, 1998**

[54] **SUN BONNET FOR A WATERCRAFT**

D. 355,883	2/1995	Simpkins	.....	D12/317
2,836,187	5/1958	Dunnagan	.....	135/90
3,428,976	2/1969	Robinson	.....	114/361

[76] Inventors: **Thomas H. Frink**, 246 Avenida Del Pontiente, San Clemente, Calif. 92672;  
**Darrin Eugene Davidson**, 3719 Indian Hills Dr., Lake Havasu City, Ariz. 86406

*Primary Examiner*—Kay H. Chin  
*Attorney, Agent, or Firm*—Gene Scott - Patent Law & Venture Group

[\*\*] Term: **14 Years**

[57] **CLAIM**

[21] Appl. No.: **73,659**

The ornamental design for a "sun bonnet for a watercraft", as shown and described.

[22] Filed: **Jul. 22, 1997**

**DESCRIPTION**

[51] LOC (6) Cl. .... **12-06**

[52] U.S. Cl. .... **D12/317; D12/318**

[58] **Field of Search** ..... D12/300, 315,  
D12/318, 317, 133; 114/361, 343, 364;  
135/87, 88.01, 90, 117

FIG. 1 is a perspective view of a sun bonnet for a watercraft, showing our new design;  
FIG. 2 is a rear elevational view thereof;  
FIG. 3 is a front elevational view thereof;  
FIG. 4 is a bottom plan view thereof;  
FIG. 5 is a top plan view thereof; and,  
FIG. 6 is a right side elevational view thereof, the left side elevational view being a mirror image of the right side view.

[56] **References Cited**

**U.S. PATENT DOCUMENTS**

D. 311,169 10/1990 Hoese ..... D12/318

**1 Claim, 6 Drawing Sheets**

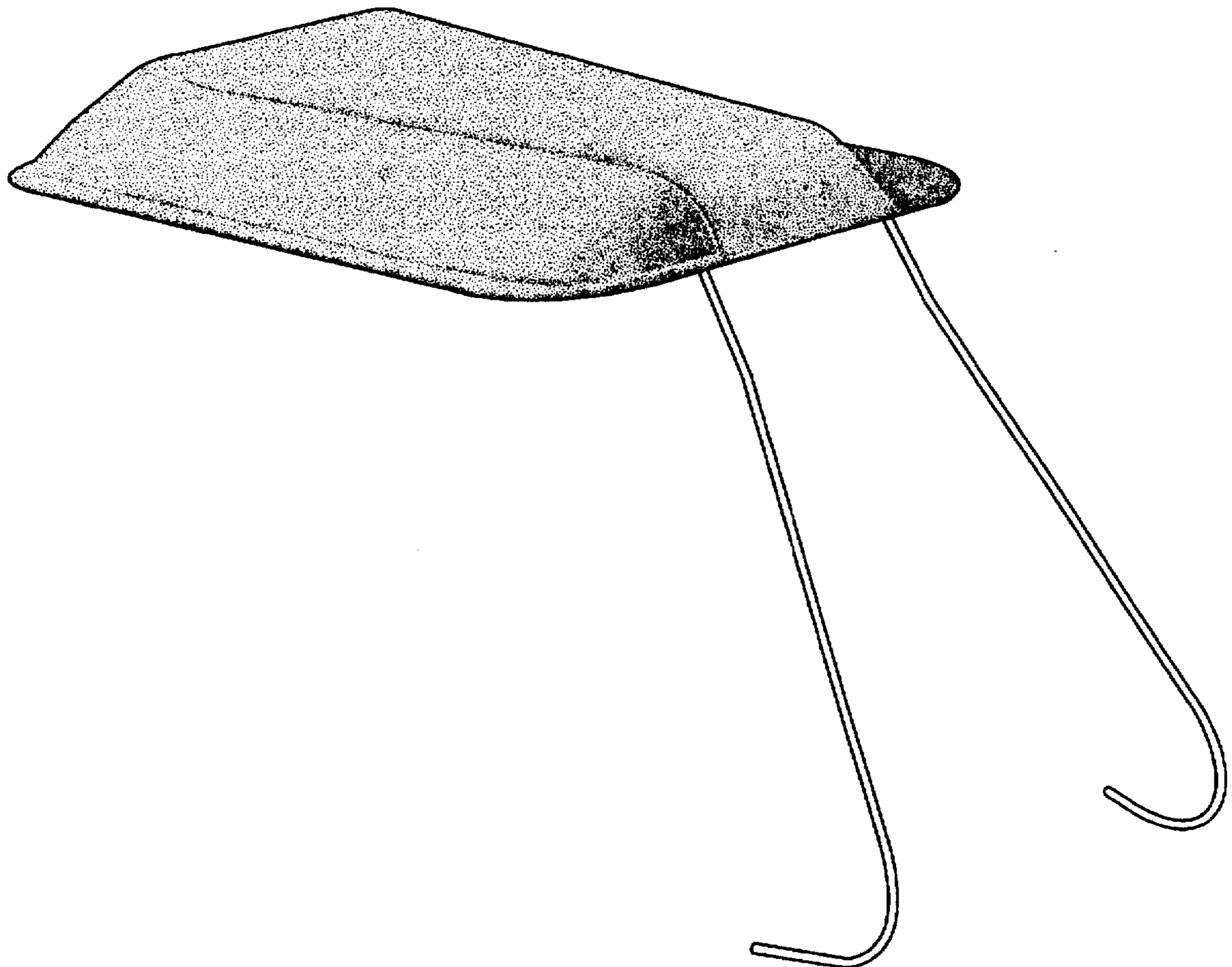


FIG. 1

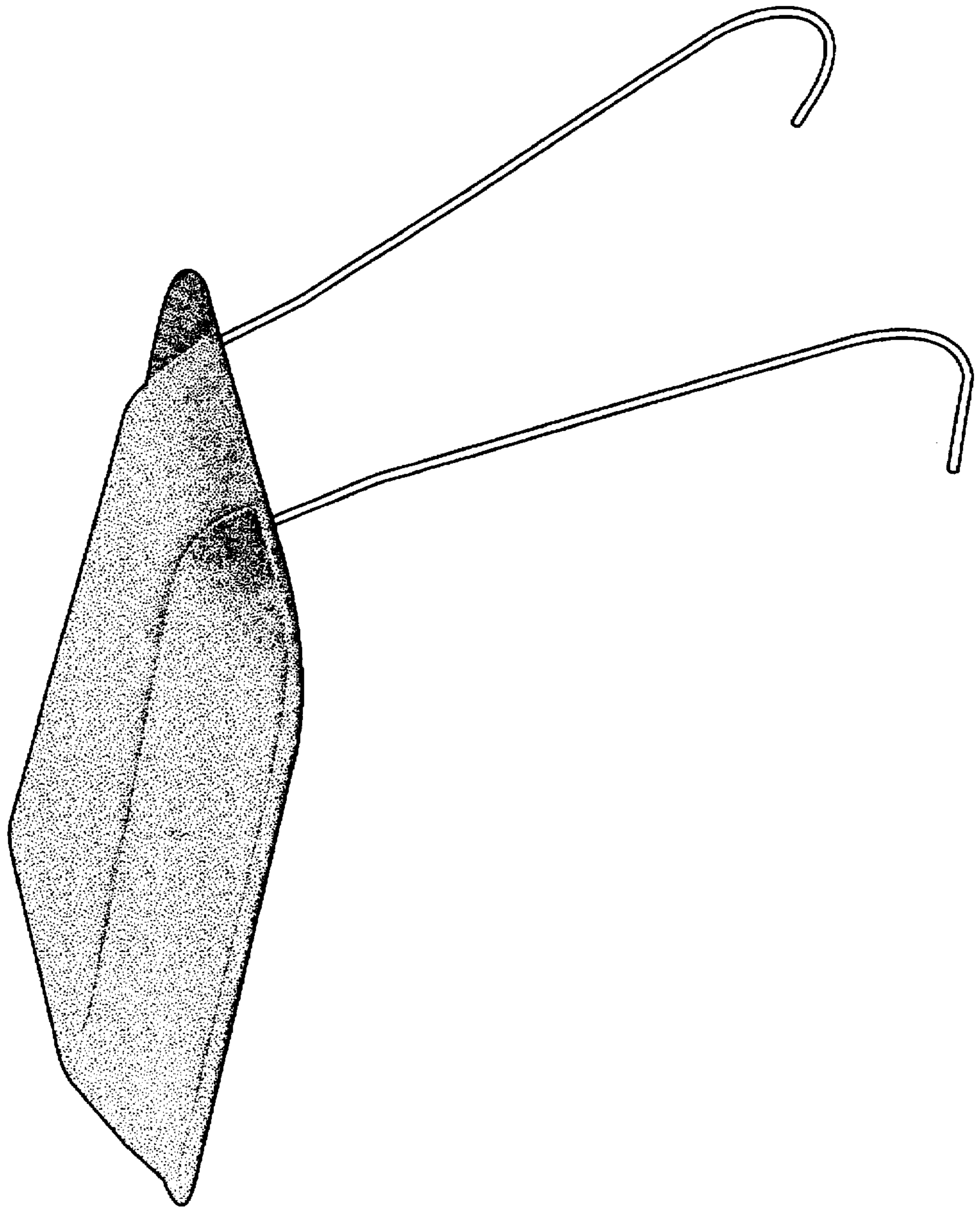


FIG. 2

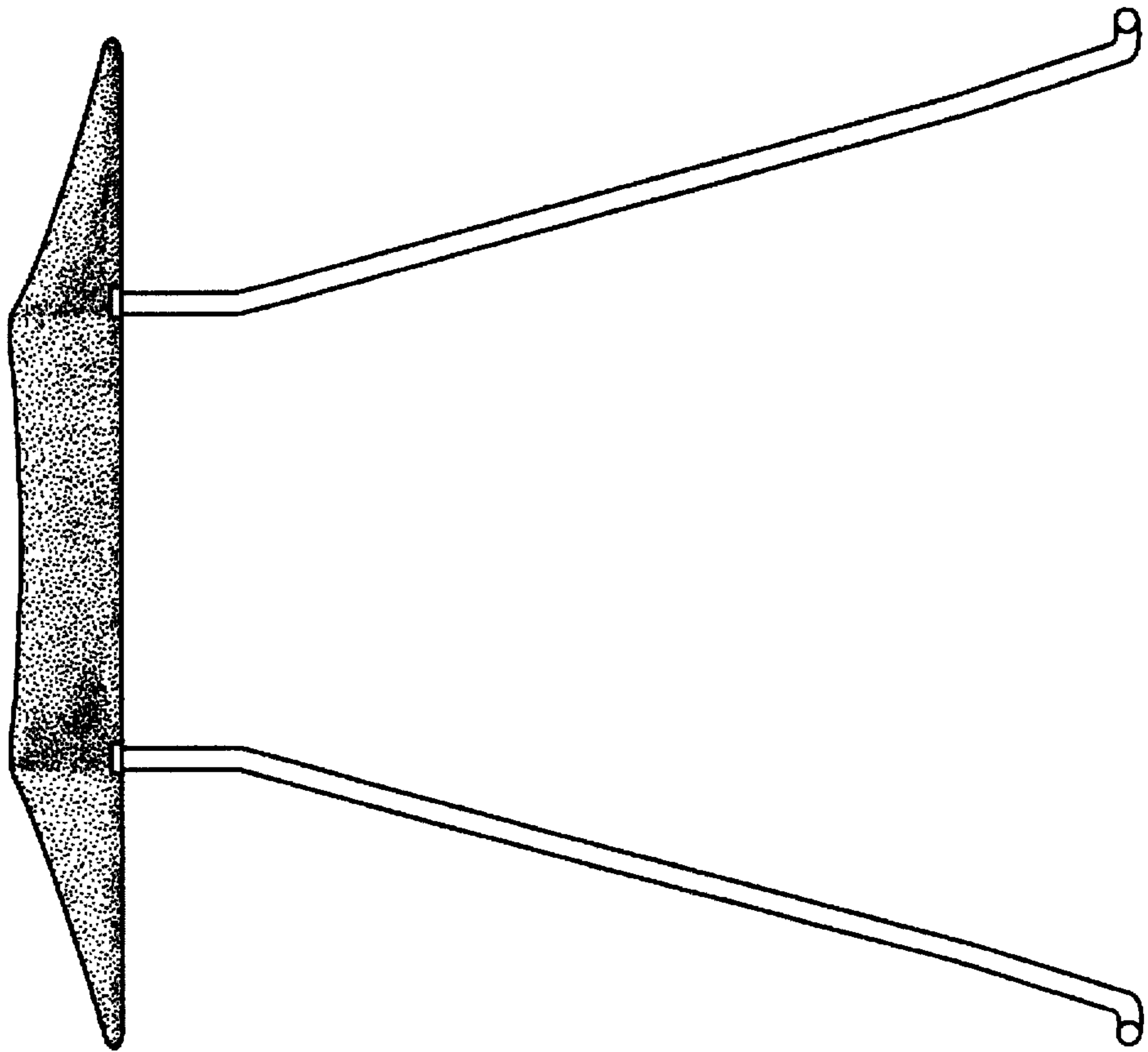


FIG.3

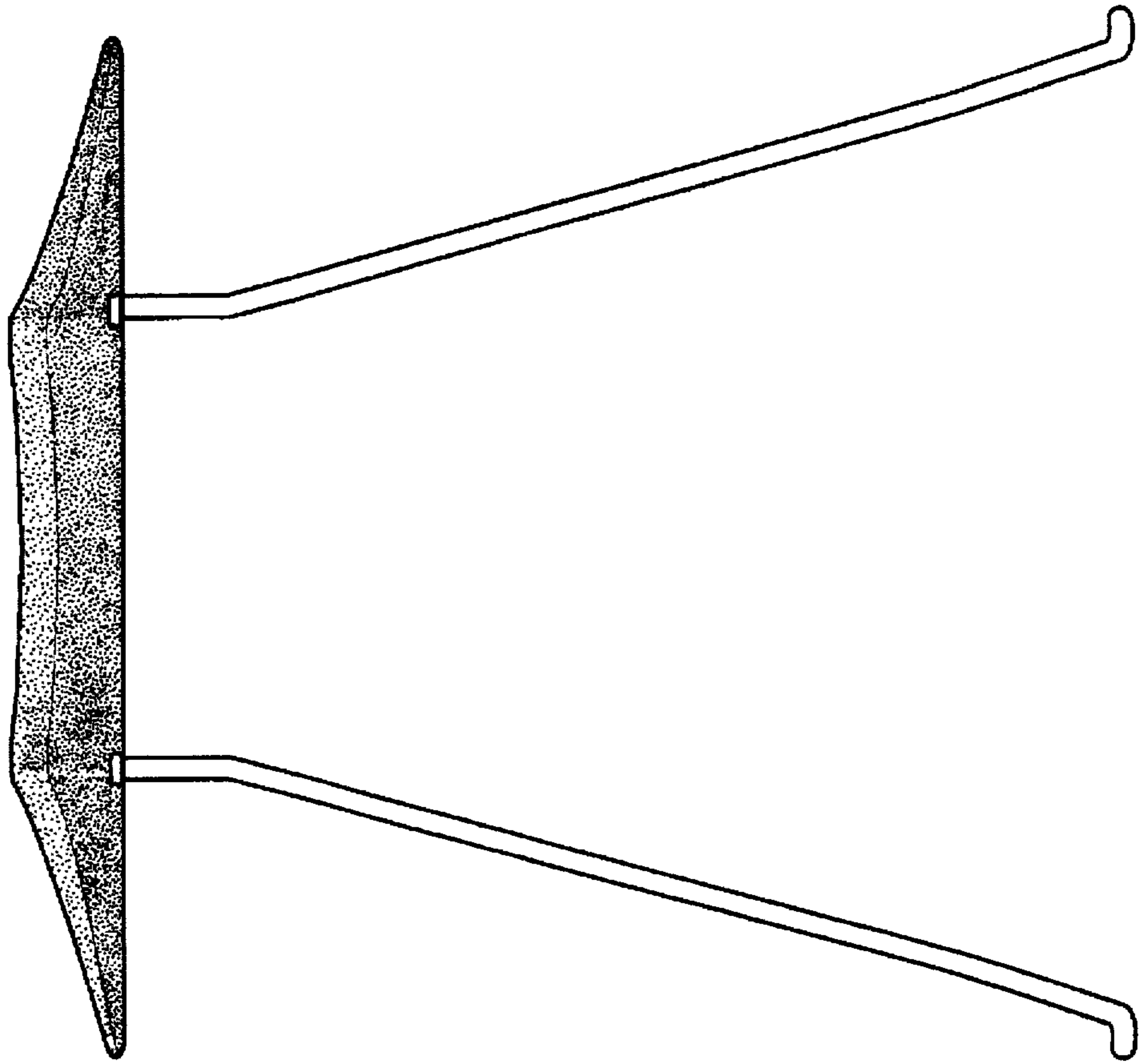


FIG. 4

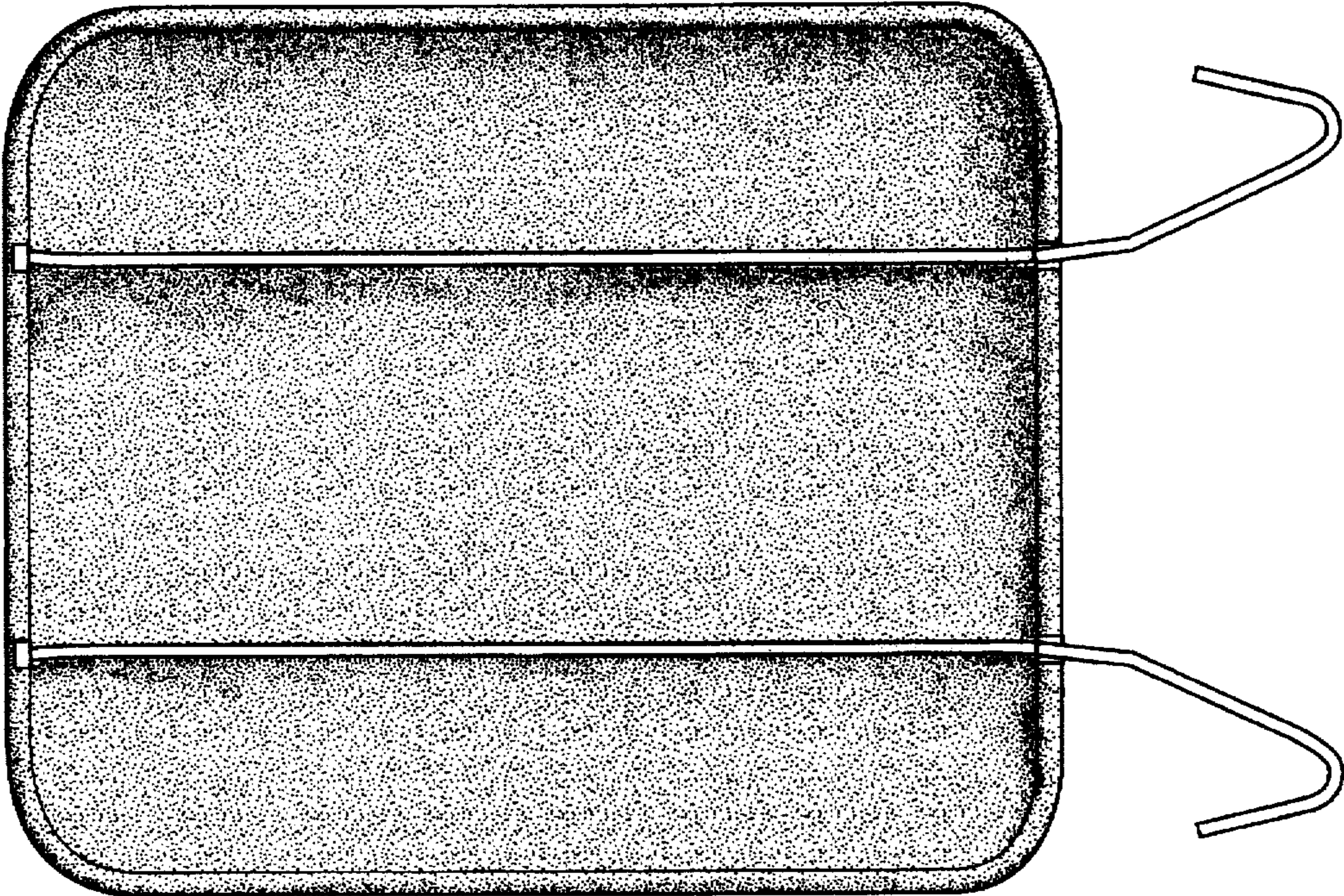


FIG. 5

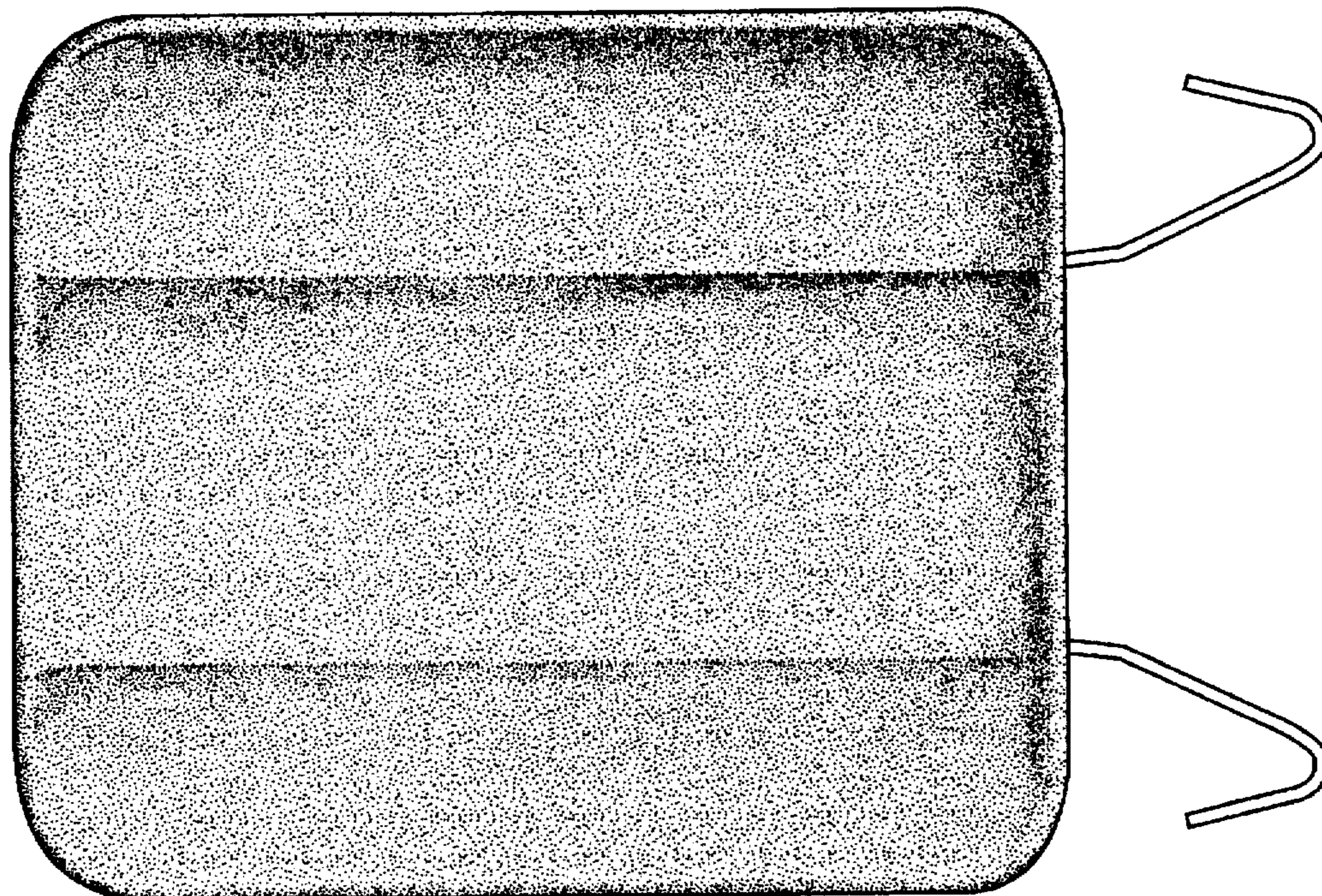


FIG. 6

