



US00D391529S

**United States Patent** [19]  
**Skalka**

[11] **Patent Number:** **Des. 391,529**  
[45] **Date of Patent:** **\*\*Mar. 3, 1998**

[54] **BICYCLE RACK**

[75] **Inventor:** **Gerald P. Skalka, Potomac, Md.**

[73] **Assignee:** **Victor Stanley, Inc., Dunkirk, Md.**

[\*\*] **Term:** **14 Years**

[21] **Appl. No.:** **60,729**

[22] **Filed:** **Oct. 21, 1996**

- D. 324,009 2/1992 Smith ..... D12/115
- D. 341,342 11/1993 Pook ..... D12/115
- D. 367,022 2/1996 Graber ..... D12/115
- D. 369,131 4/1996 Smith ..... D12/115
- D. 369,332 4/1996 Smith ..... D12/115
- 623,967 5/1899 Barnett ..... 211/20

*Primary Examiner*—Melody N. Brown  
*Attorney, Agent, or Firm*—Reid & Priest L.L.P.

**Related U.S. Application Data**

[62] Division of Ser. No. 49,585, Nov. 28, 1995.

[51] **LOC (6) Cl.** ..... **12-11**

[52] **U.S. Cl.** ..... **D12/115**

[58] **Field of Search** ..... **D12/115; 211/17,**  
**211/20, 22**

[56] **References Cited**

**U.S. PATENT DOCUMENTS**

D. 305,010 12/1989 Rankin ..... D12/115

[57] **CLAIM**

The ornamental design for a bicycle rack, as shown.

**DESCRIPTION**

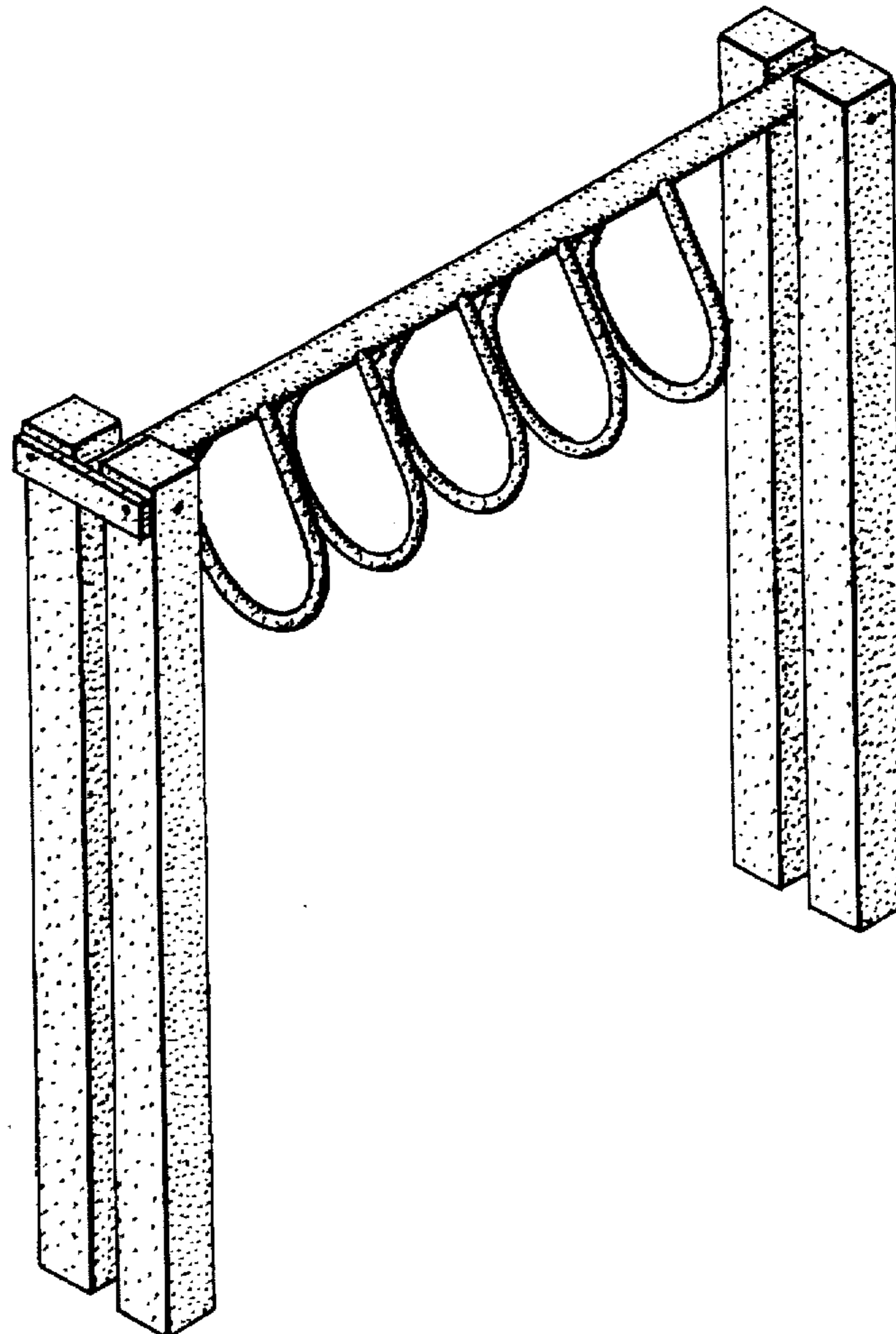
FIG. 1 is a front elevational view of a bicycle rack showing my new design;

FIG. 2 is a front elevational view of the bicycle rack thereof, the rear elevational view being a mirror image thereof;

FIG. 3 is a side elevational of the bicycle rack thereof, the opposite side elevational view being a mirror image thereof;

FIG. 4 is a top plan view of the bicycle rack thereof; and, FIG. 5 is a bottom plan view of the bicycle rack thereof.

**1 Claim, 2 Drawing Sheets**



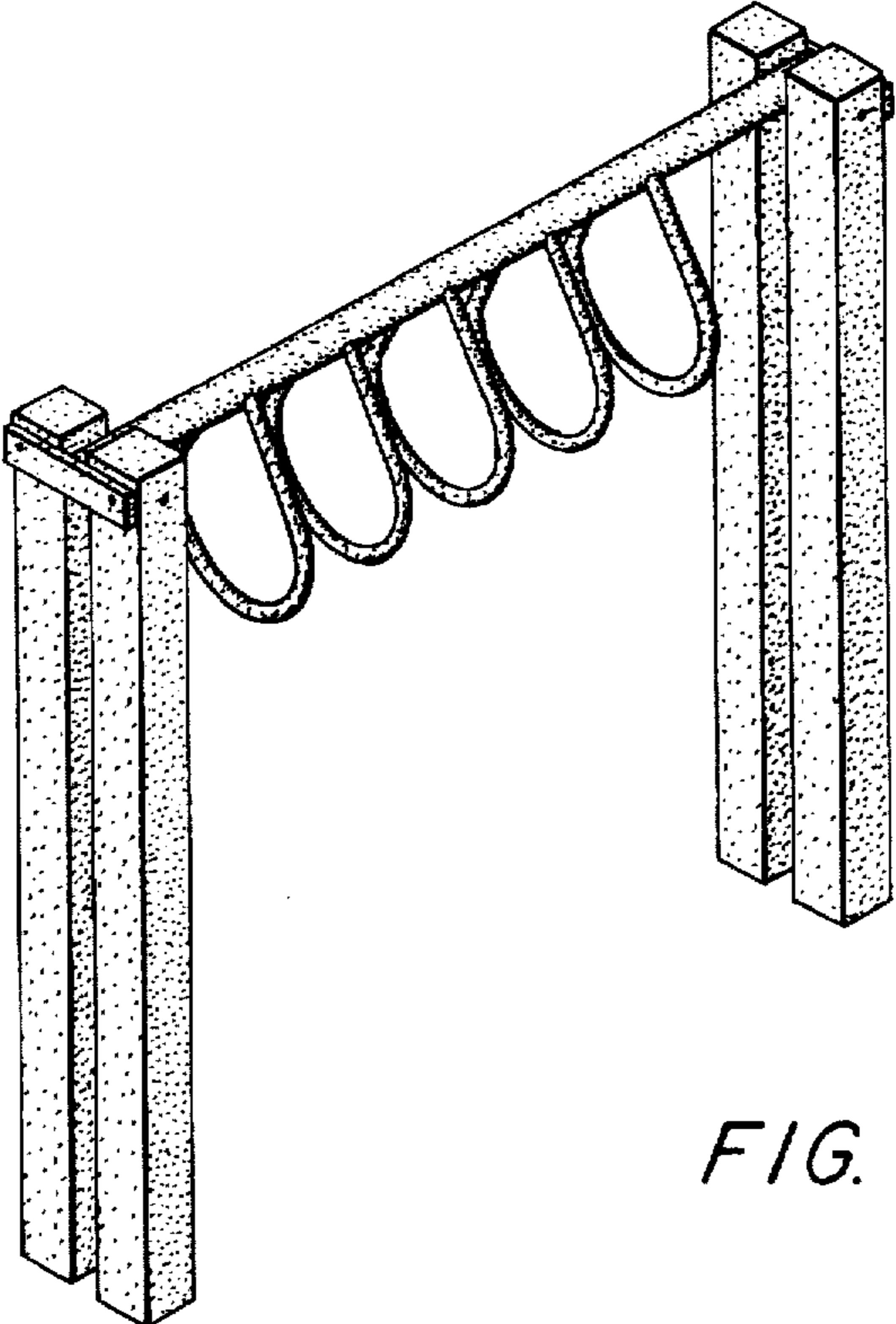


FIG. 1

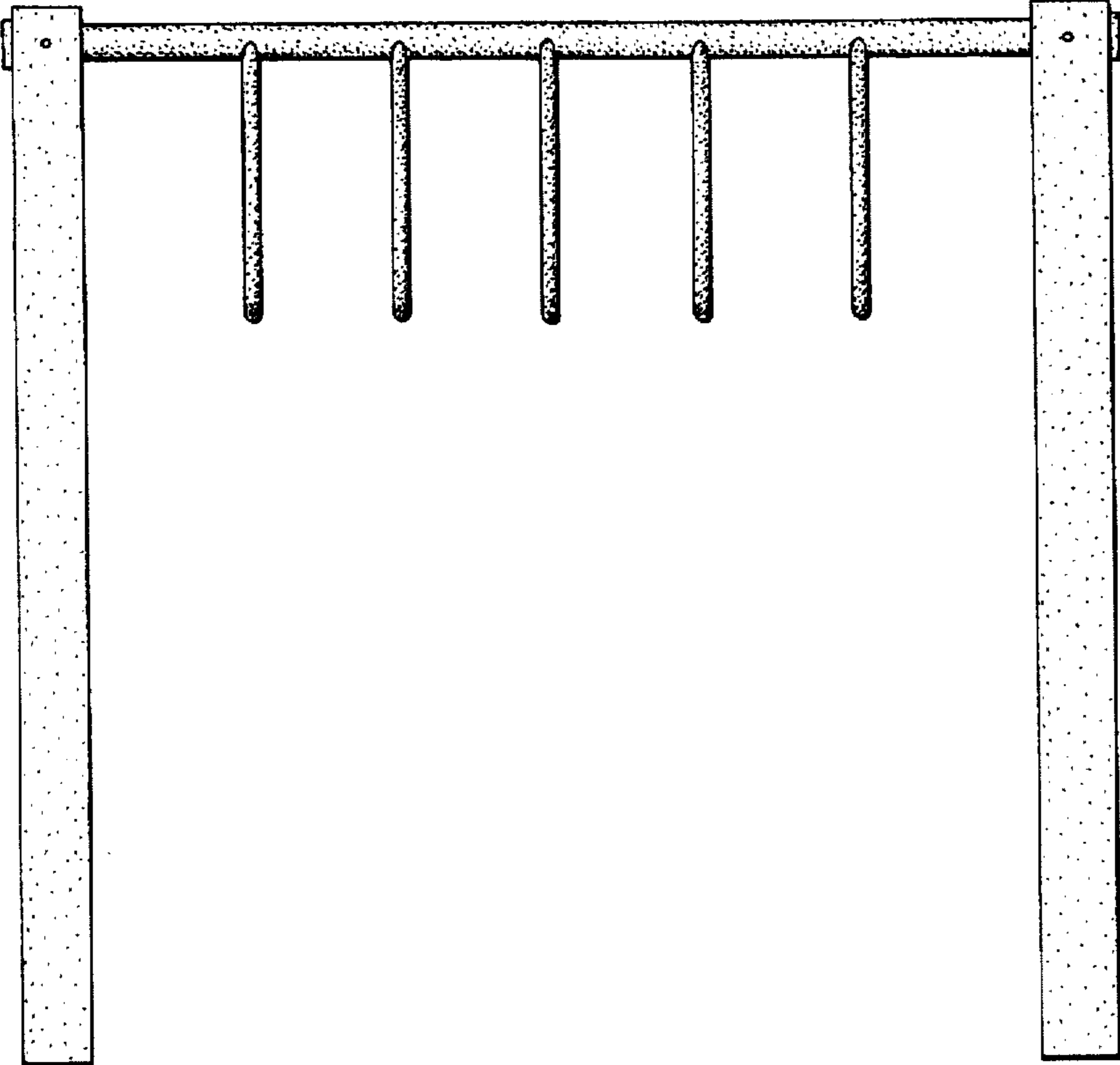


FIG. 2

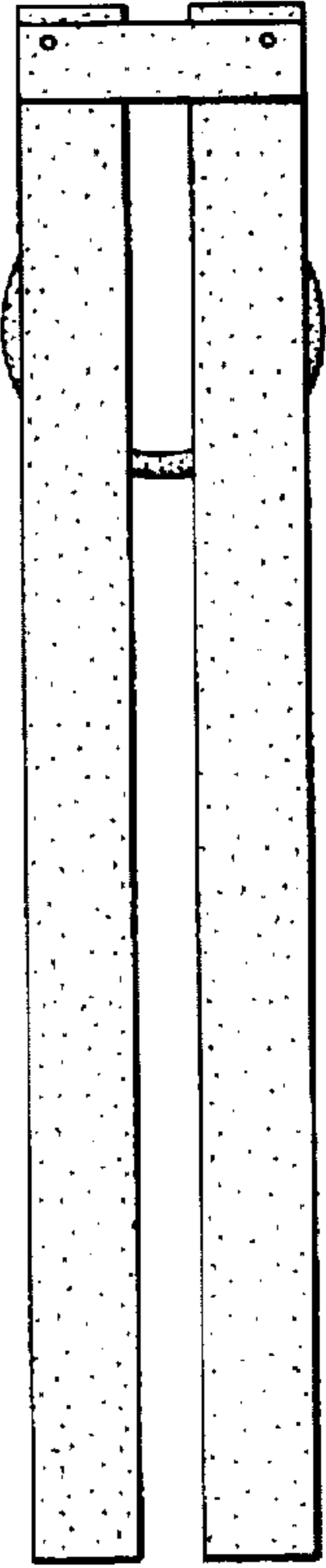
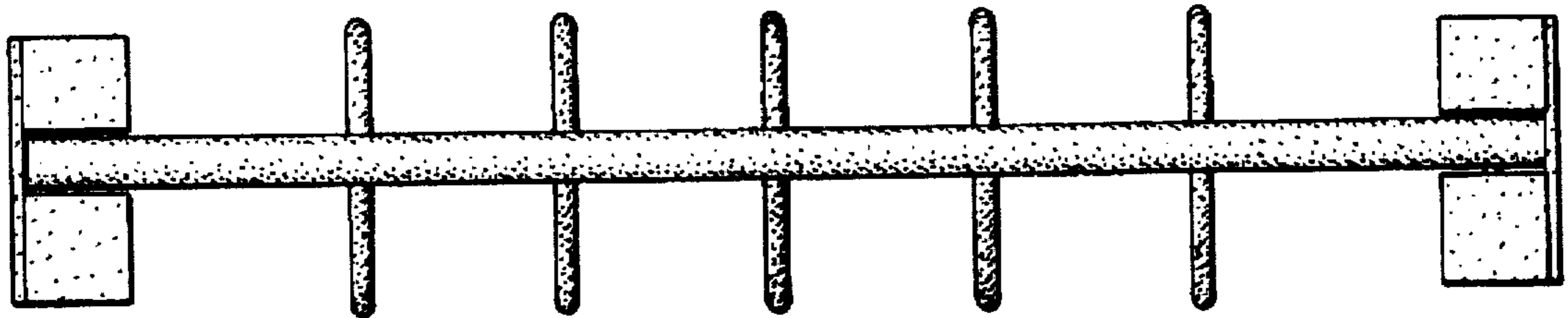
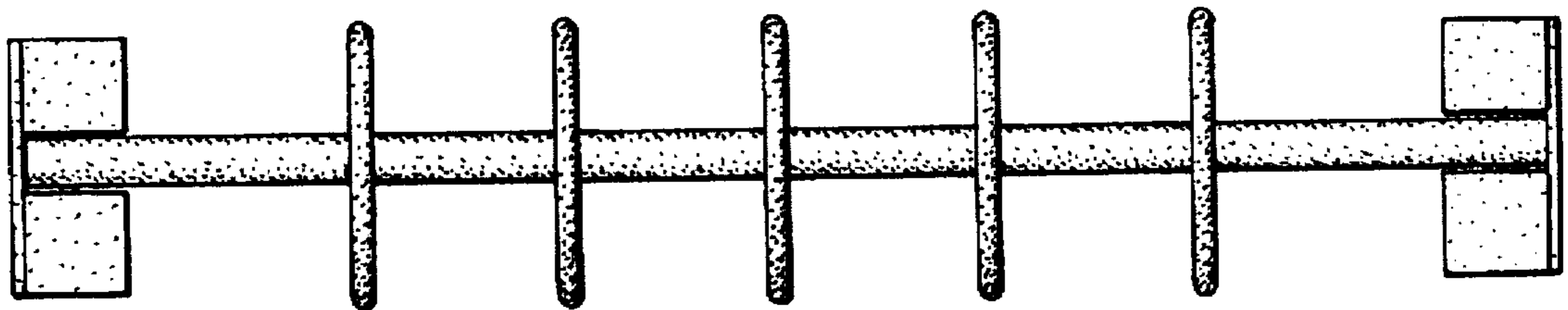


FIG. 3



*FIG. 4*



*FIG. 5*