



US00D391528S

United States Patent [19]

Pingel et al.

[11] Patent Number: **Des. 391,528**

[45] Date of Patent: ****Mar. 3, 1998**

[54] MOTORCYCLE IGNITION KILL SWITCH

[75] Inventors: **Wayne Pingel; Donna Pingel**, both of Adams, Wis.

[73] Assignee: **Pingel Enterprise, Inc.**, Adams, Wis.

[**] Term: **14 Years**

[21] Appl. No.: **60,194**

[22] Filed: **Sep. 24, 1996**

[51] LOC (6) Cl. **12-11**

[52] U.S. Cl. **D12/114**

[58] Field of Search **D12/114; 74/489; 180/219; 280/288.4, 304.3**

[56] References Cited

PUBLICATIONS

Drag Specialties Catalog, the tether kill switch for dirt bikes, 1987.

1996 Harley Davidson Genuine Parts & Accessories Catalog, the ignition switch cover kit, ©1995.

Primary Examiner—Melody N. Brown
Attorney, Agent, or Firm—Douglas B. White

[57] CLAIM

The ornamental design for a motorcycle ignition kill switch, as shown and described.

DESCRIPTION

FIG. 1 is a front view of a motorcycle ignition kill switch showing our new design, the tether and clip shown in broken lines are for illustrative purposes only and form no part of the claimed design, the rear view is a mirror image of that shown;

FIG. 2 is a left side view of the kill switch;

FIG. 3 is a right side view of the kill switch;

FIG. 4 is a perspective view of the kill switch;

FIG. 5 is a top view of the kill switch; and,

FIG. 6 is a bottom view of the kill switch.

1 Claim, 1 Drawing Sheet

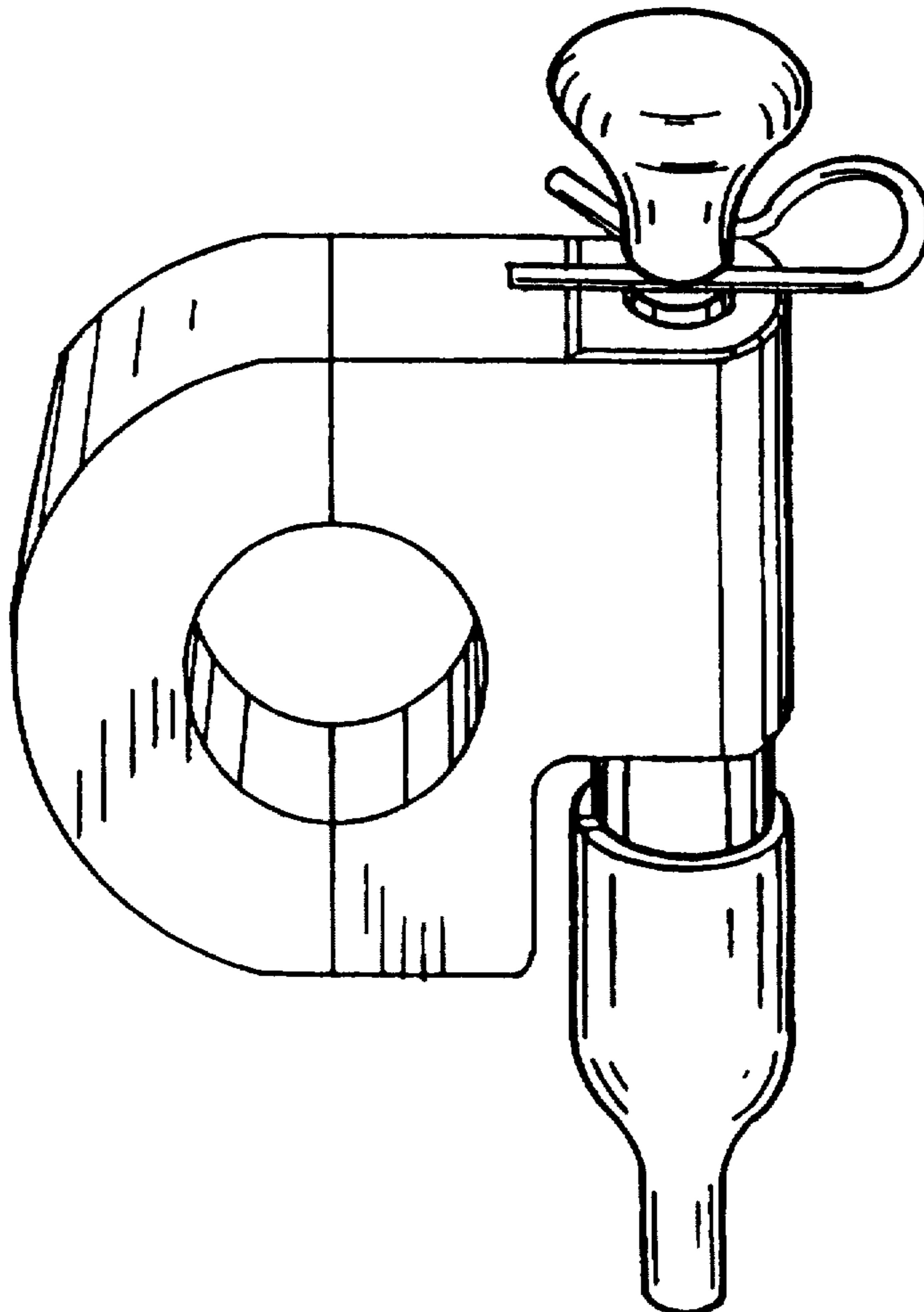


FIG. 1

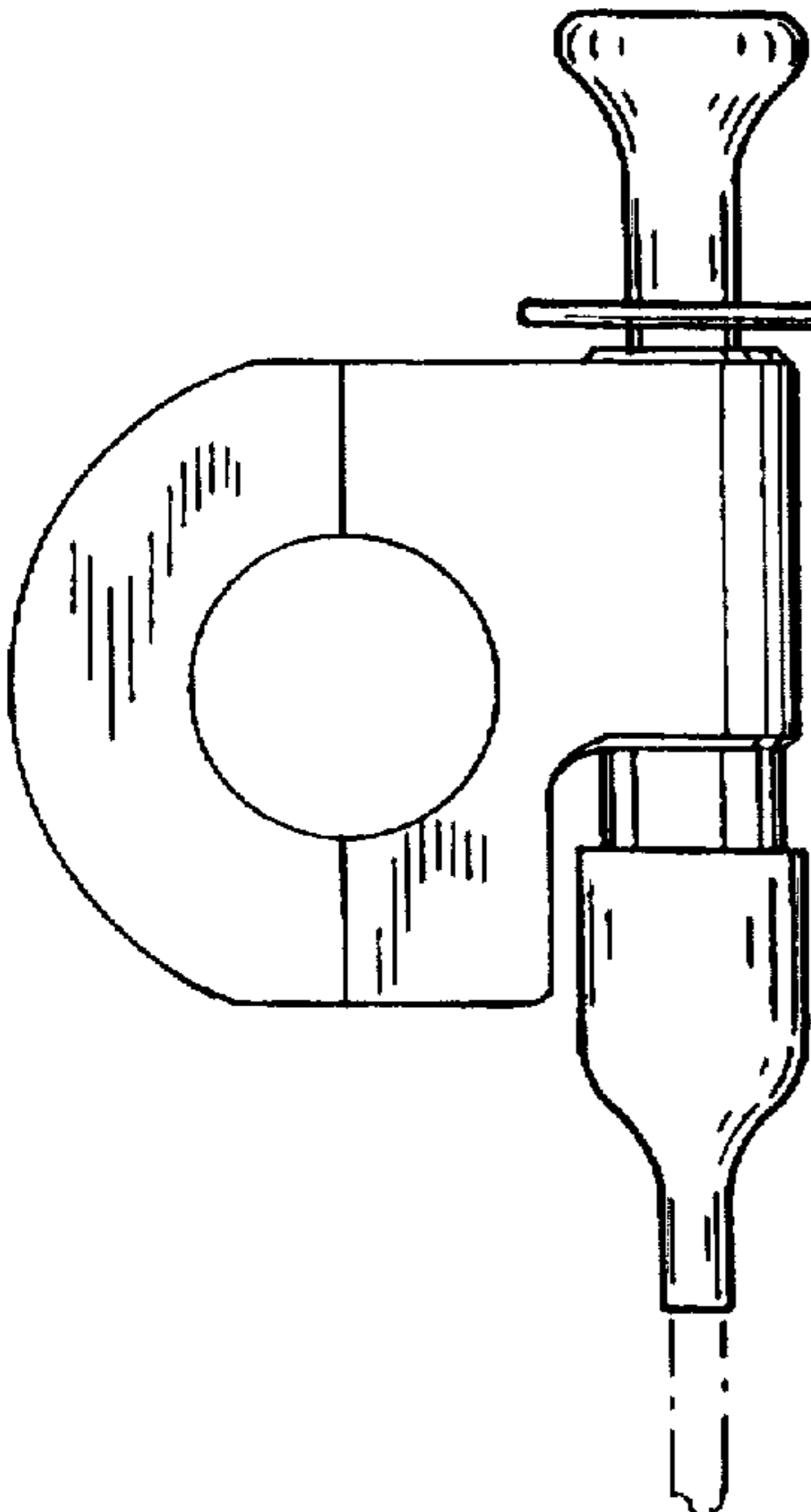


FIG. 2



FIG. 3

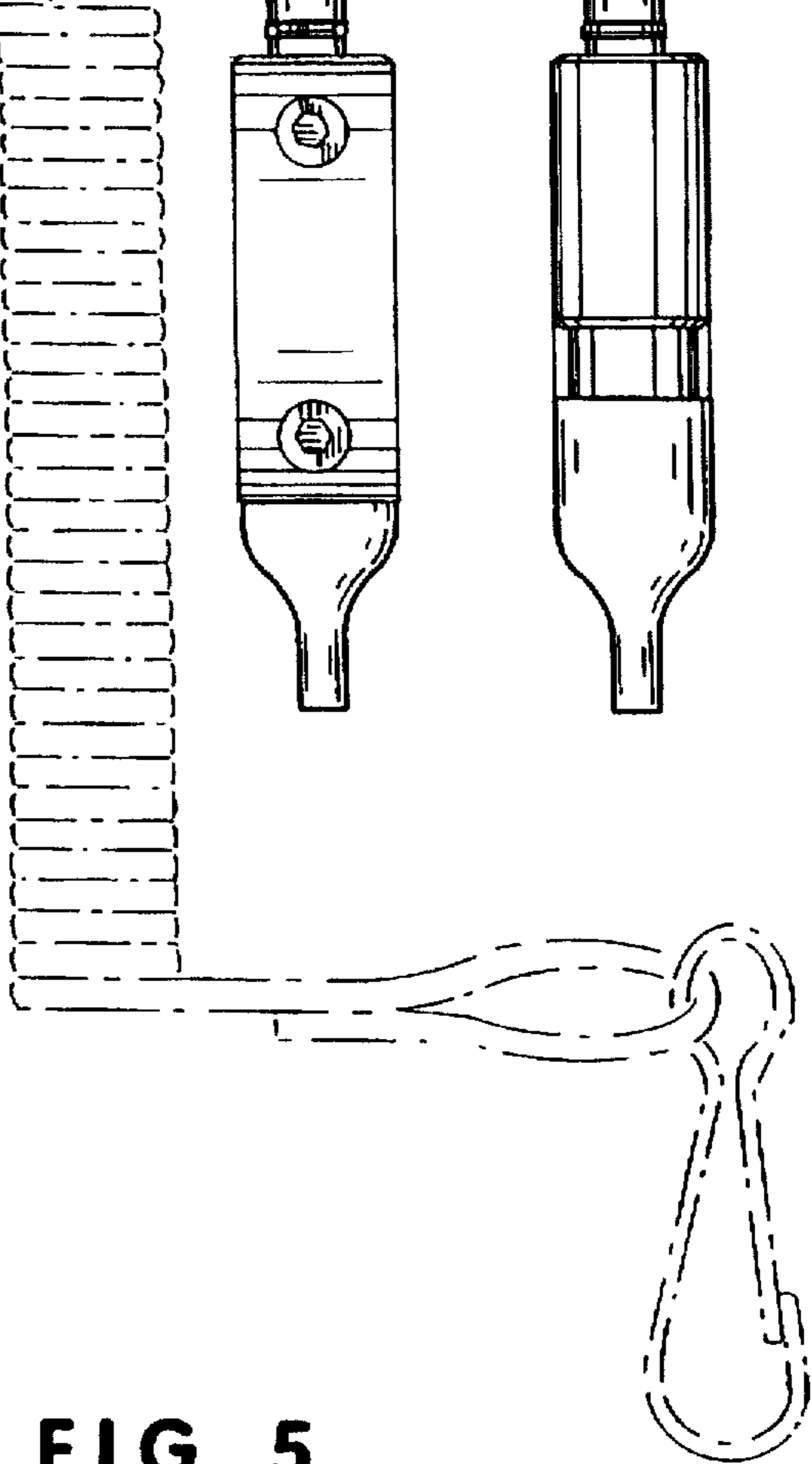


FIG. 4

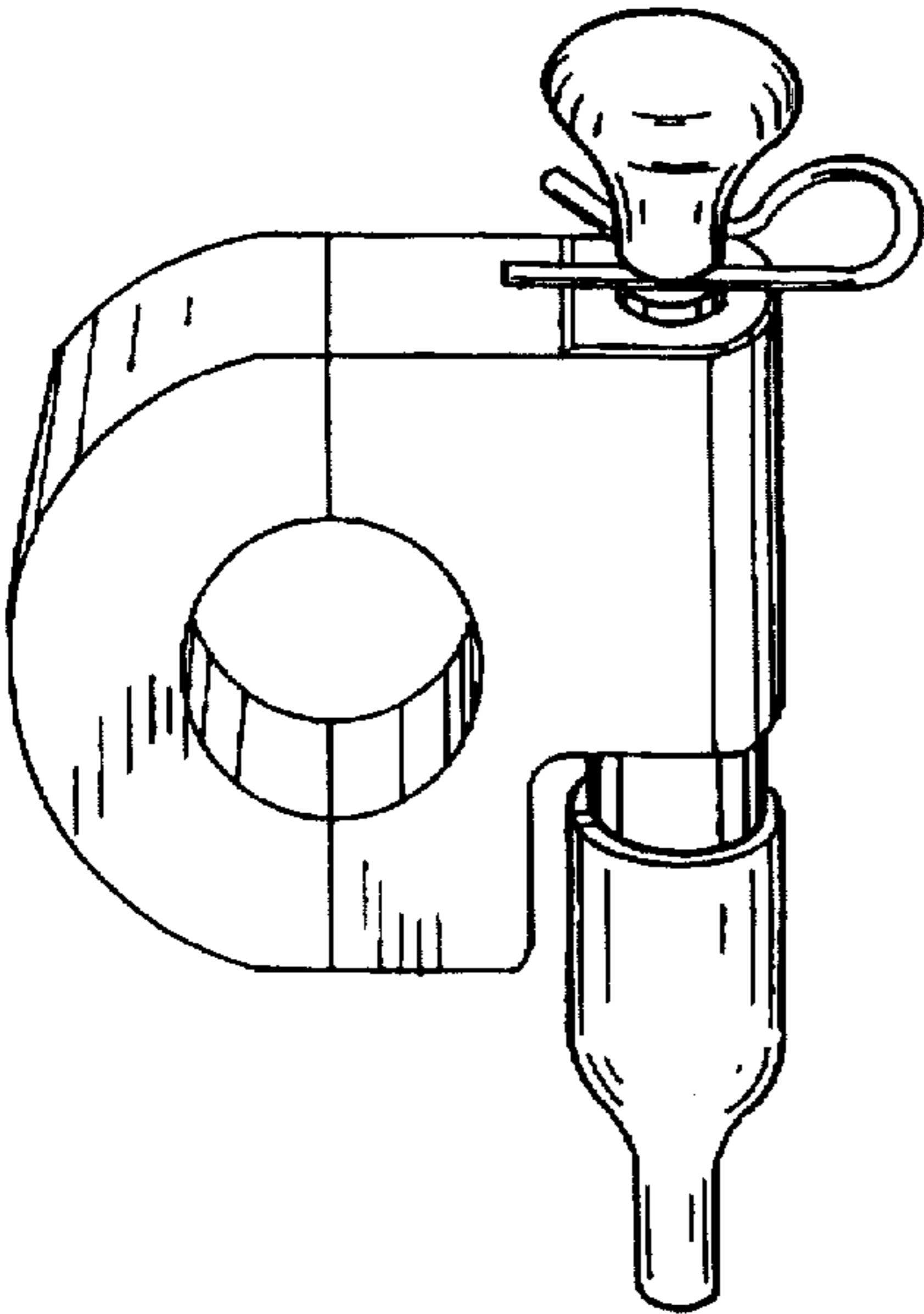


FIG. 5

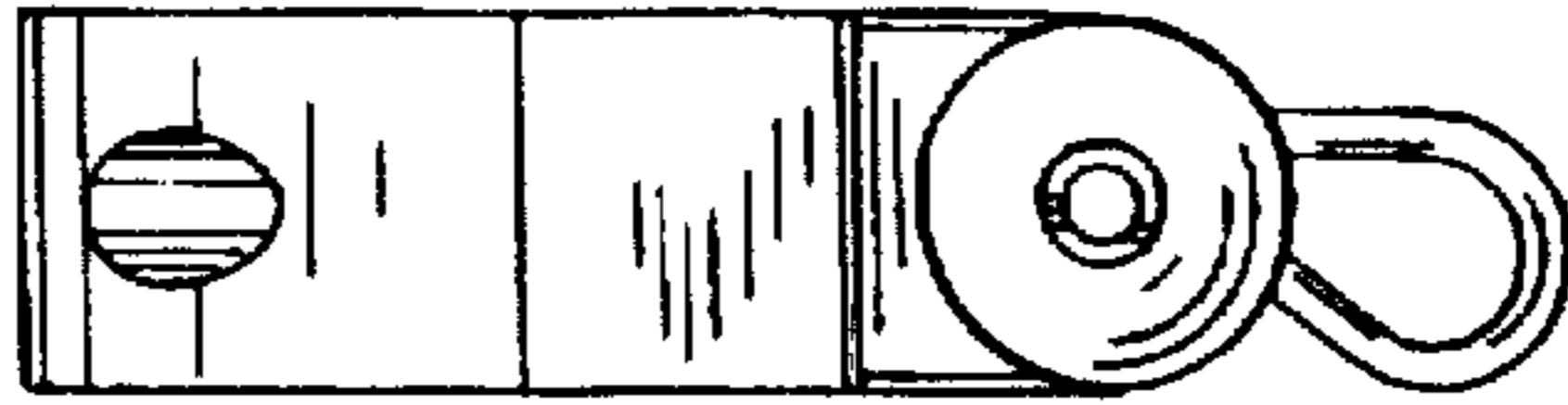
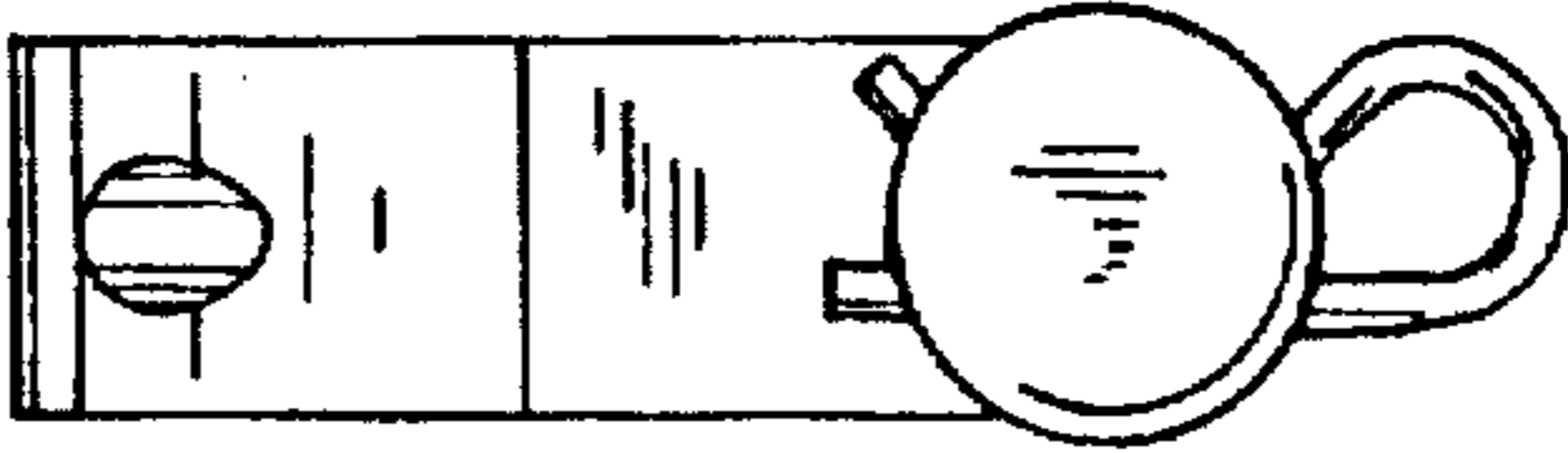


FIG. 6