



US00D391525S

United States Patent [19]
Savitski

[11] **Patent Number:** **Des. 391,525**
[45] **Date of Patent:** ****Mar. 3, 1998**

[54] **MOTORCYCLE TRAILER**

4,536,011 8/1985 Wagner 280/209
5,011,170 4/1991 Forbes 280/512

[76] **Inventor:** **Richard H. Savitski**, 14255 88th St.
NE., Elk River, Minn. 55330

Primary Examiner—Melody N. Brown
Attorney, Agent, or Firm—Merchant, Gould, Smith, Edell,
Welter & Schmidt, P.A.

[**] **Term:** **14 Years**

[57] **CLAIM**

[21] **Appl. No.:** **60,928**

The ornamental design for a motorcycle trailer, as shown
and described.

[22] **Filed:** **Oct. 10, 1996**

[51] **LOC (6) Cl.** **12-10**

[52] **U.S. Cl.** **D12/102**

[58] **Field of Search** **D12/102, 101;**
280/418.1, 491.1, 202, 209; 296/181, 24.1

DESCRIPTION

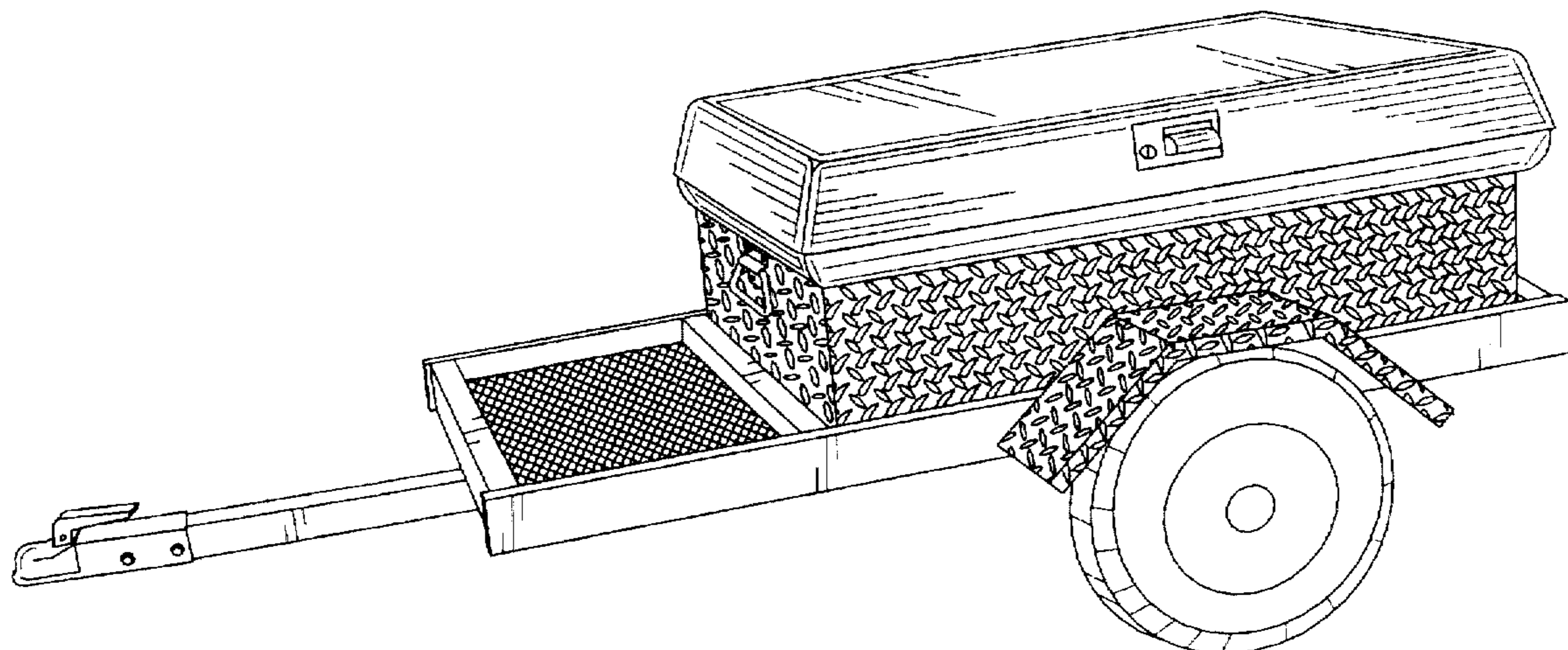
FIG. 1 is a top, front, and left side perspective view of a
motorcycle trailer showing my new design;
FIG. 2 is a front view thereof;
FIG. 3 is a rear view thereof;
FIG. 4 is a top plan view thereof;
FIG. 5 is a bottom plan view thereof;
FIG. 6 is a right side view thereof; and,
FIG. 7 is a left side view thereof.

[56] **References Cited**

U.S. PATENT DOCUMENTS

D. 240,806 8/1976 Hawes D12/102
D. 318,841 8/1991 Lemere D12/102
D. 373,100 8/1996 Carter D12/102
4,057,283 11/1977 Barnett 280/209

1 Claim, 6 Drawing Sheets



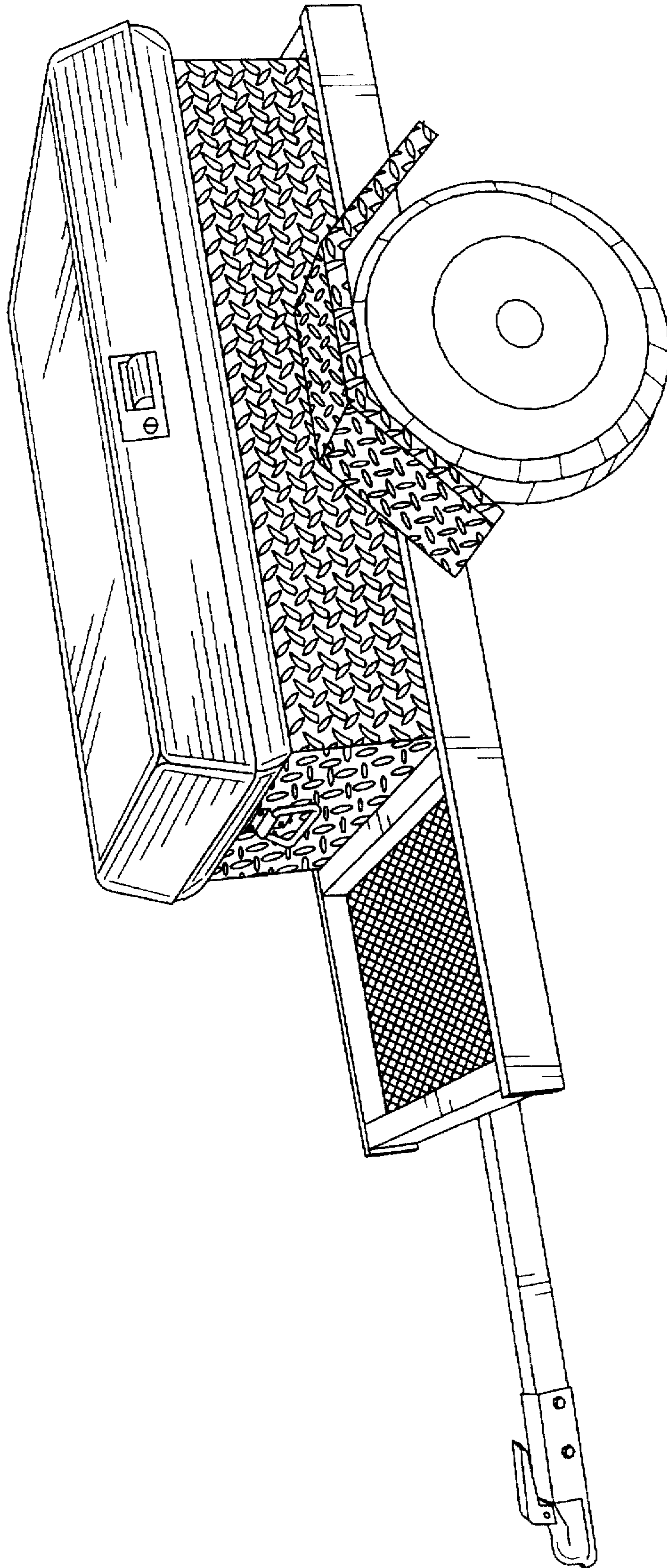


FIG. 1

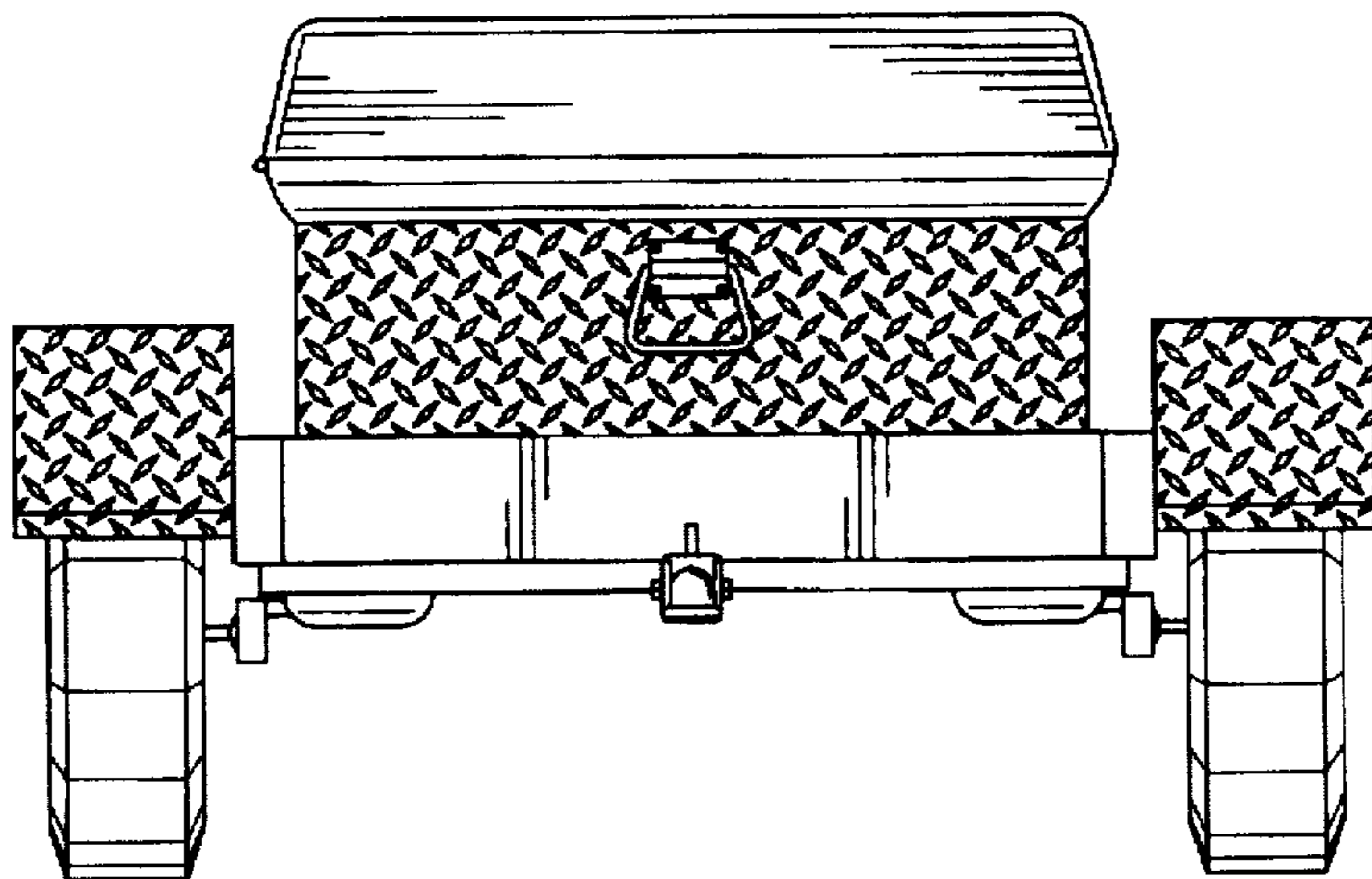


FIG. 2

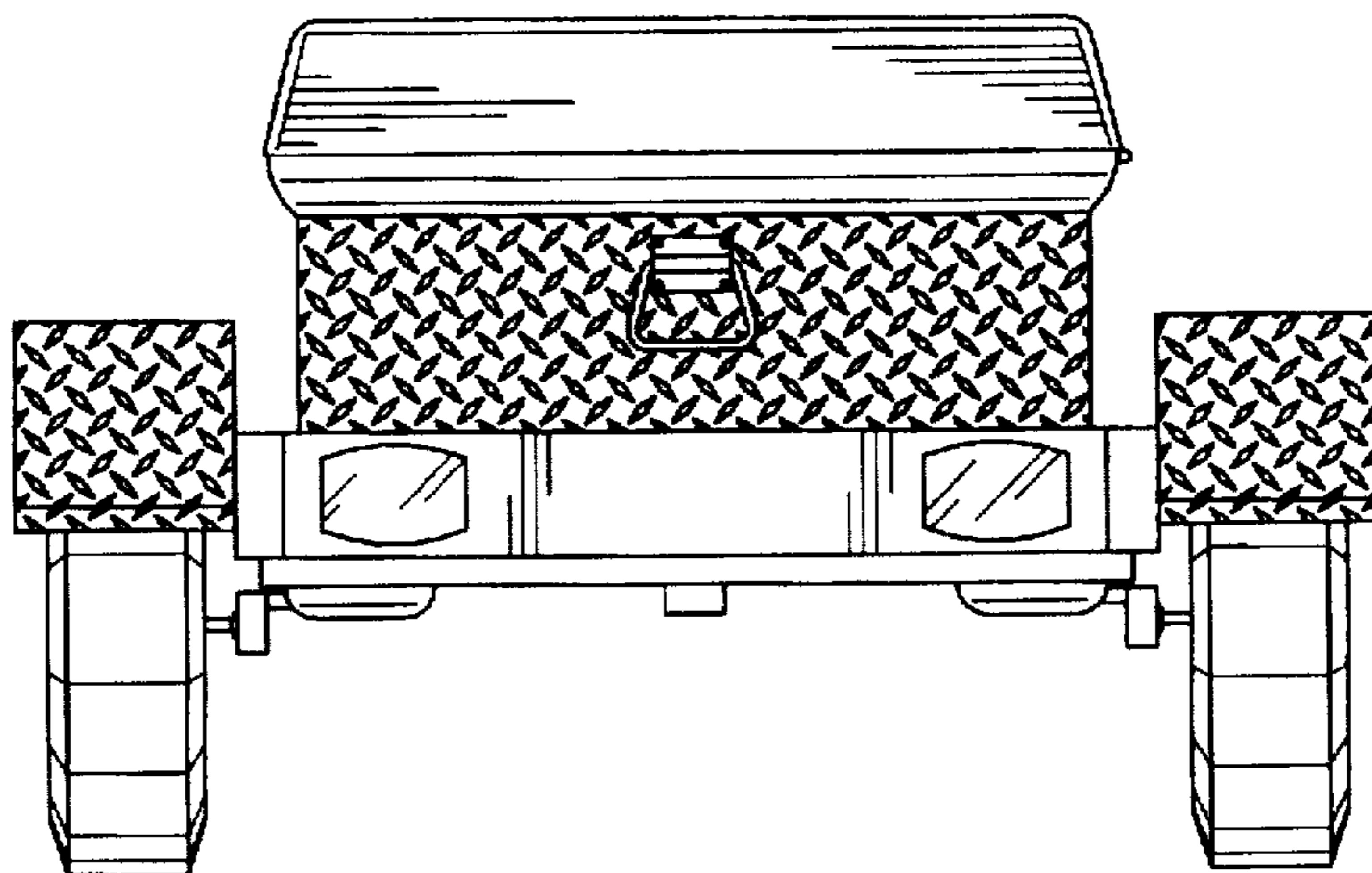


FIG. 3

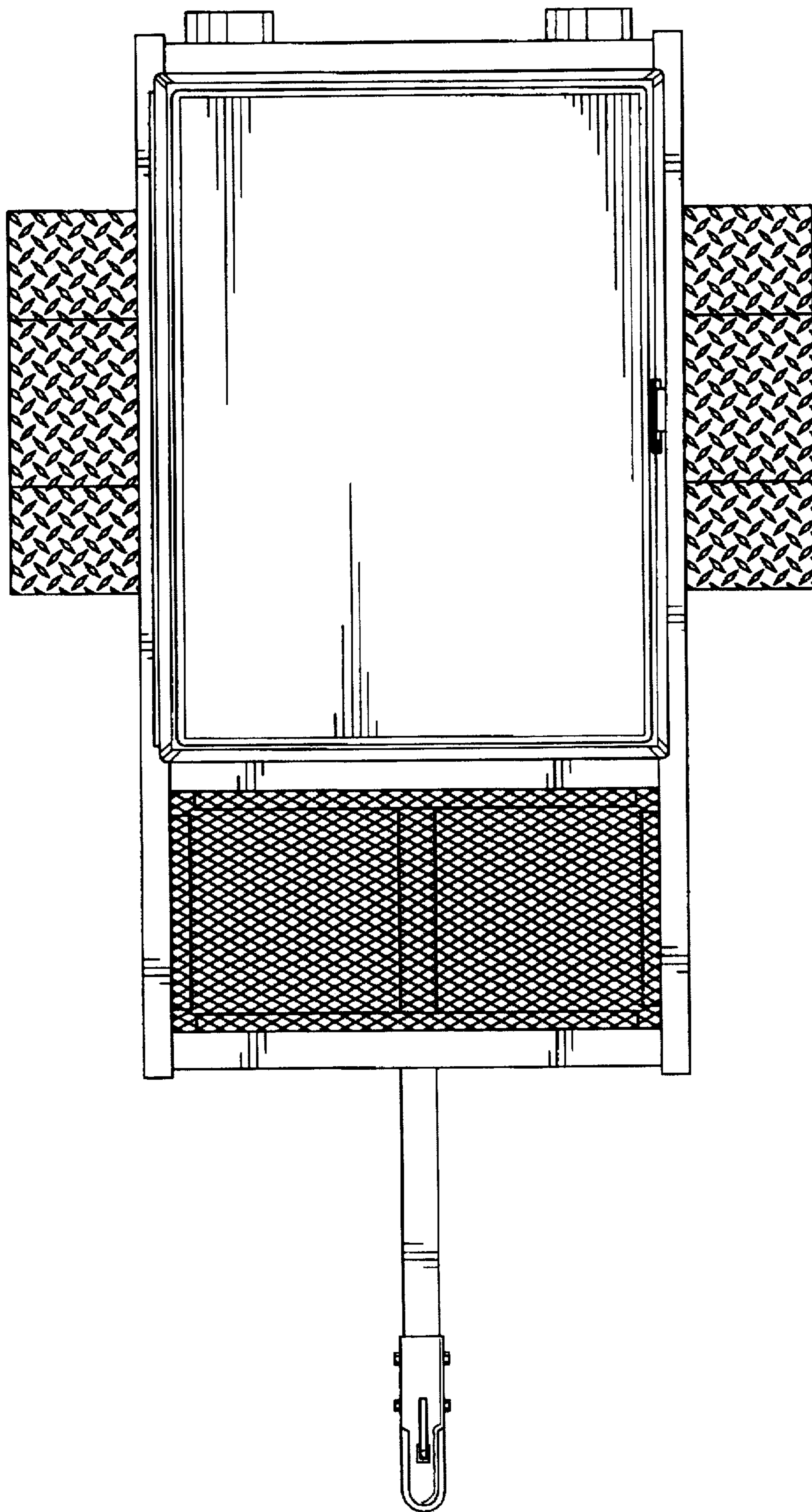


FIG. 4

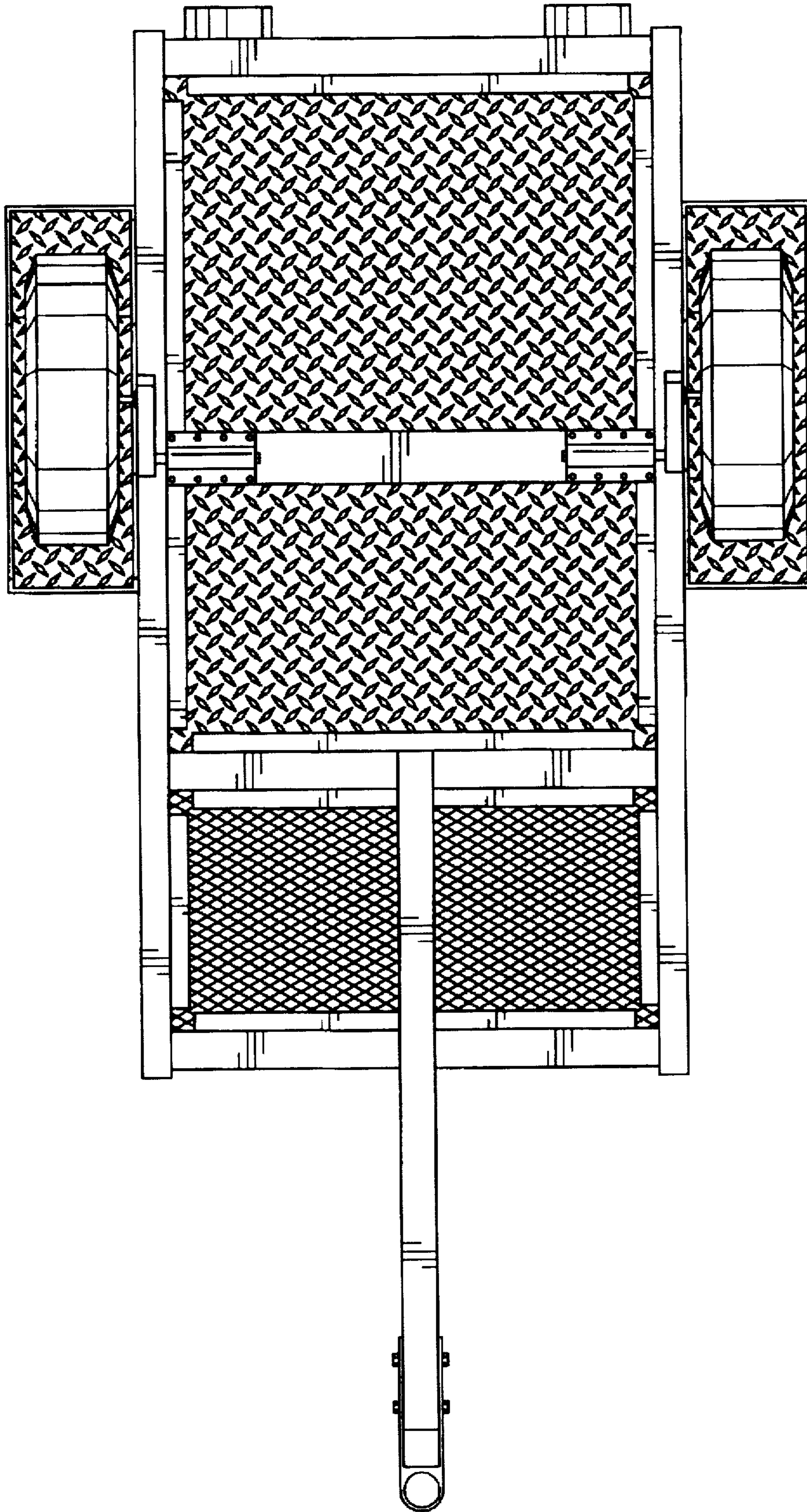


FIG. 5

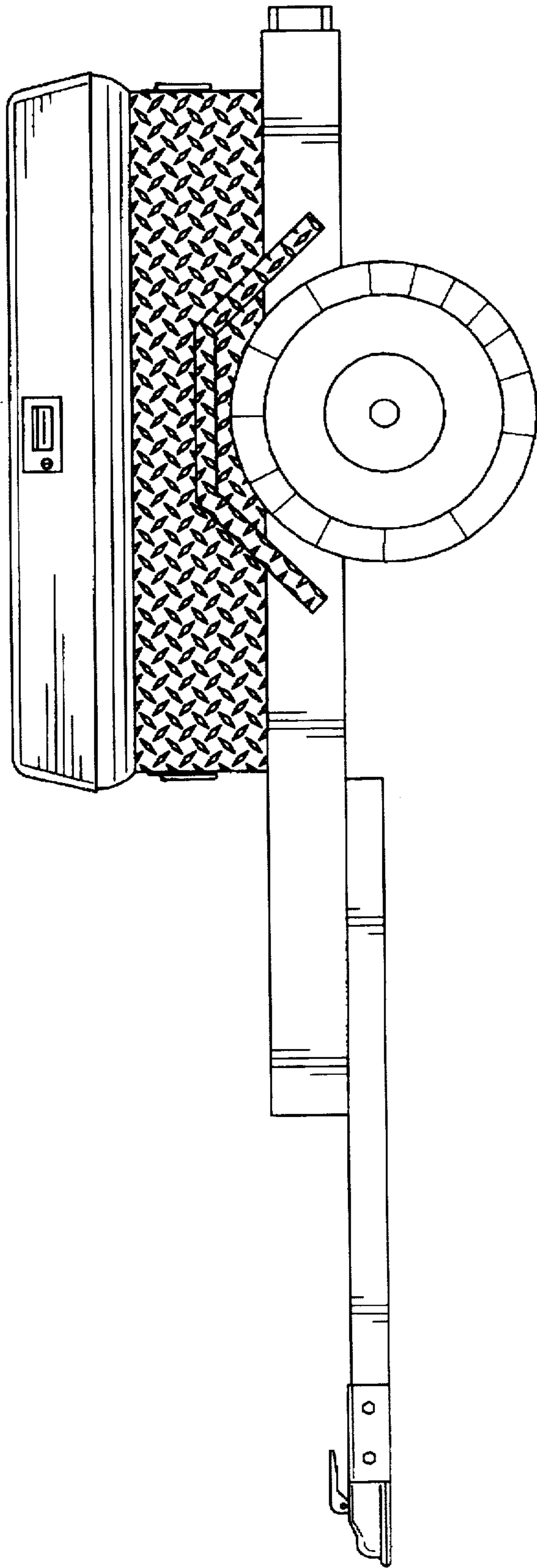


FIG. 6

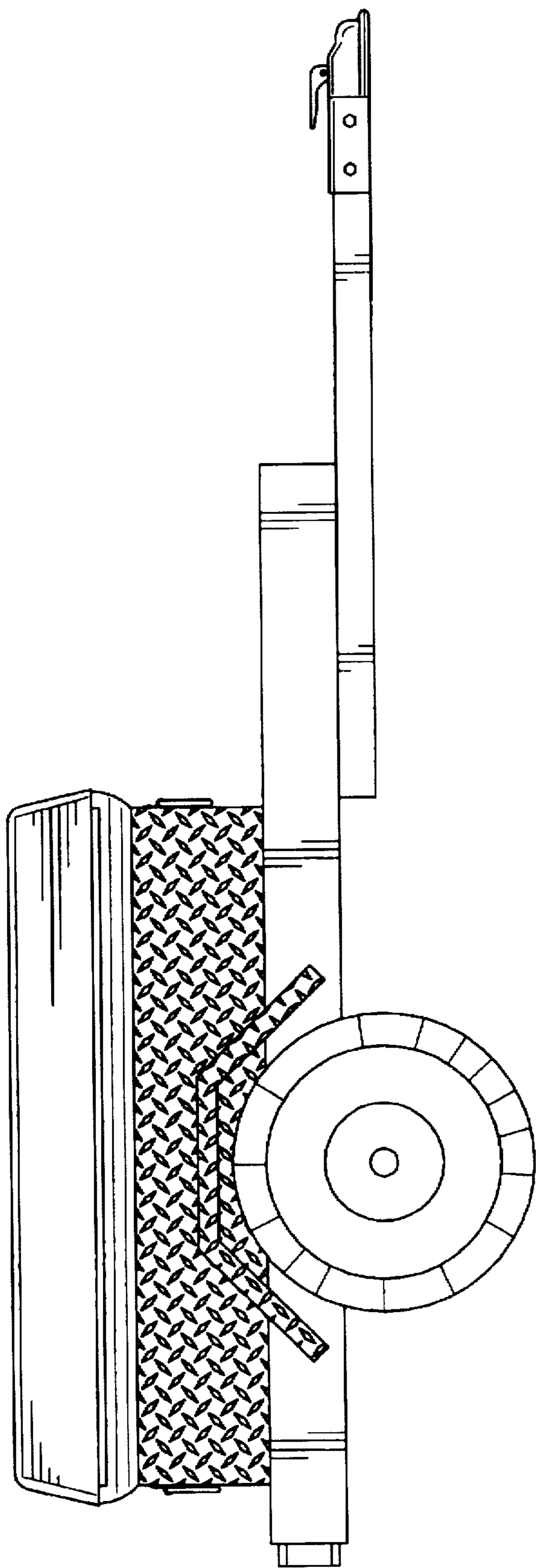


FIG. 7