



US00D391520S

# United States Patent [19]

[11] Patent Number: **Des. 391,520**

Laster

[45] Date of Patent: **\*\*Mar. 3, 1998**

[54] **VEHICLE BODY**

[75] Inventor: **Robert T. Laster**, Rochester, Mich.

[73] Assignee: **Chrysler Corporation**, Auburn Hills, Mich.

[\*\*] Term: **14 Years**

[21] Appl. No.: **60,046**

[22] Filed: **Sep. 20, 1996**

[51] LOC (6) Cl. .... **12-08**

[52] U.S. Cl. .... **D12/91**

[58] Field of Search ..... **D12/90-92, 86; 296/185**

[56] **References Cited**

**U.S. PATENT DOCUMENTS**

D. 172,124	5/1954	Blenkle	.....	D12/91
D. 220,837	6/1971	Mattson	.....	D12/91
D. 253,763	12/1979	Legueu	.....	D12/164
D. 296,537	7/1988	Kin	.....	D12/91
D. 316,986	5/1991	Hackett et al.	.....	D12/91
D. 318,828	8/1991	Wada et al.	.....	D12/91

**OTHER PUBLICATIONS**

"Car and Driver," Hummer, p. 108 (1992).  
Automotive Industries, "Mighty Mite", p. 18, Feb. 1, 1959.  
Automotive Industries, Datsun patrol, p. 254, 1963 Almanac Issue.

Motor Trend, Jeep CJ-7, p. 51, Mar., 1976.

Jeep Catalog, Jeep CJ-5, pp. 6, 7, 9, 1974.

*Primary Examiner*—Melody N. Brown  
*Attorney, Agent, or Firm*—Mark P. Calcaterra

[57] **CLAIM**

The ornamental design for a vehicle body, as shown and described.

**DESCRIPTION**

FIG. 1 is a front perspective view of a vehicle body showing my new design;

FIG. 2 is a rear perspective view of the vehicle body of FIG. 1;

FIG. 3 is a front view of the vehicle body of FIG. 1;

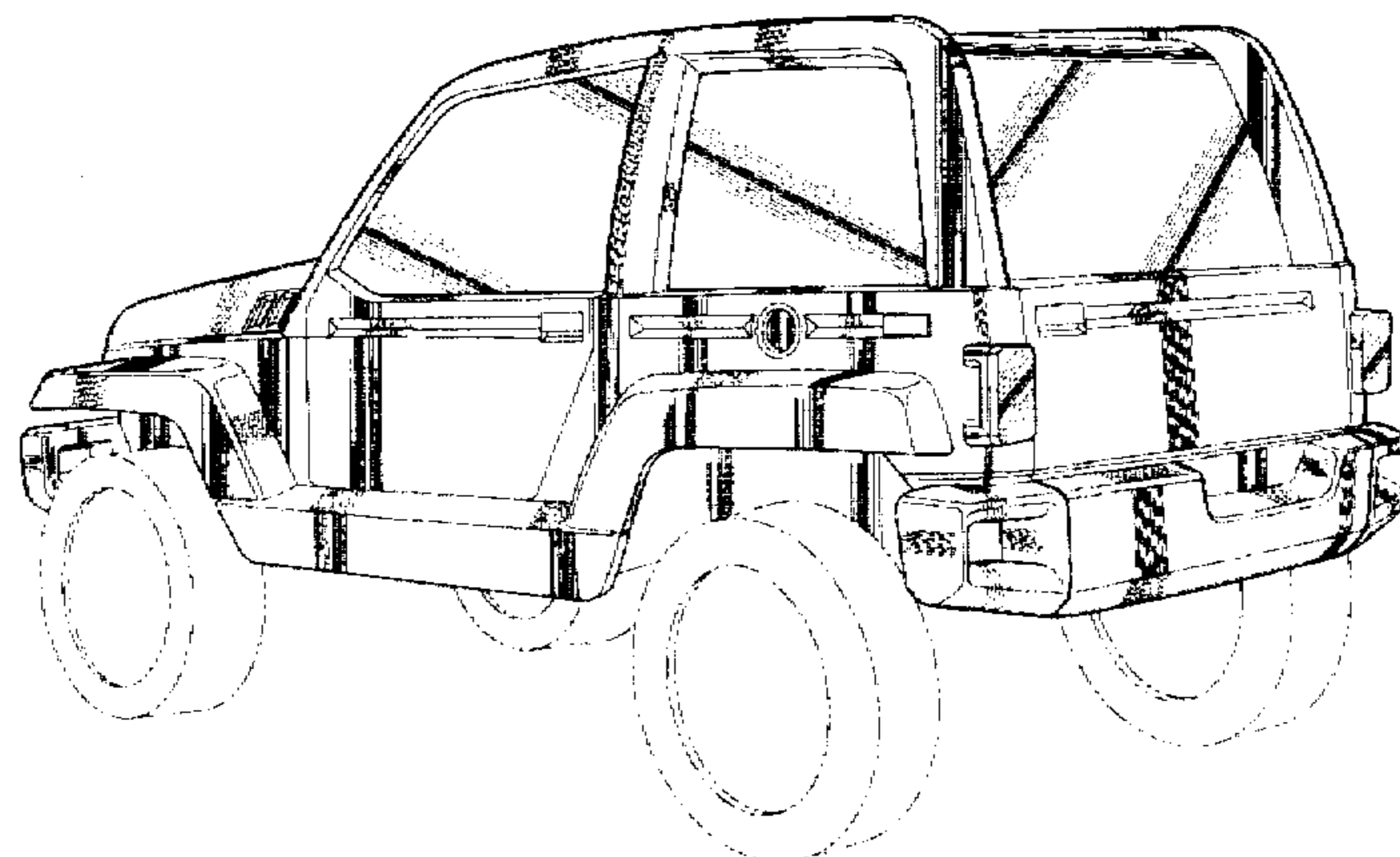
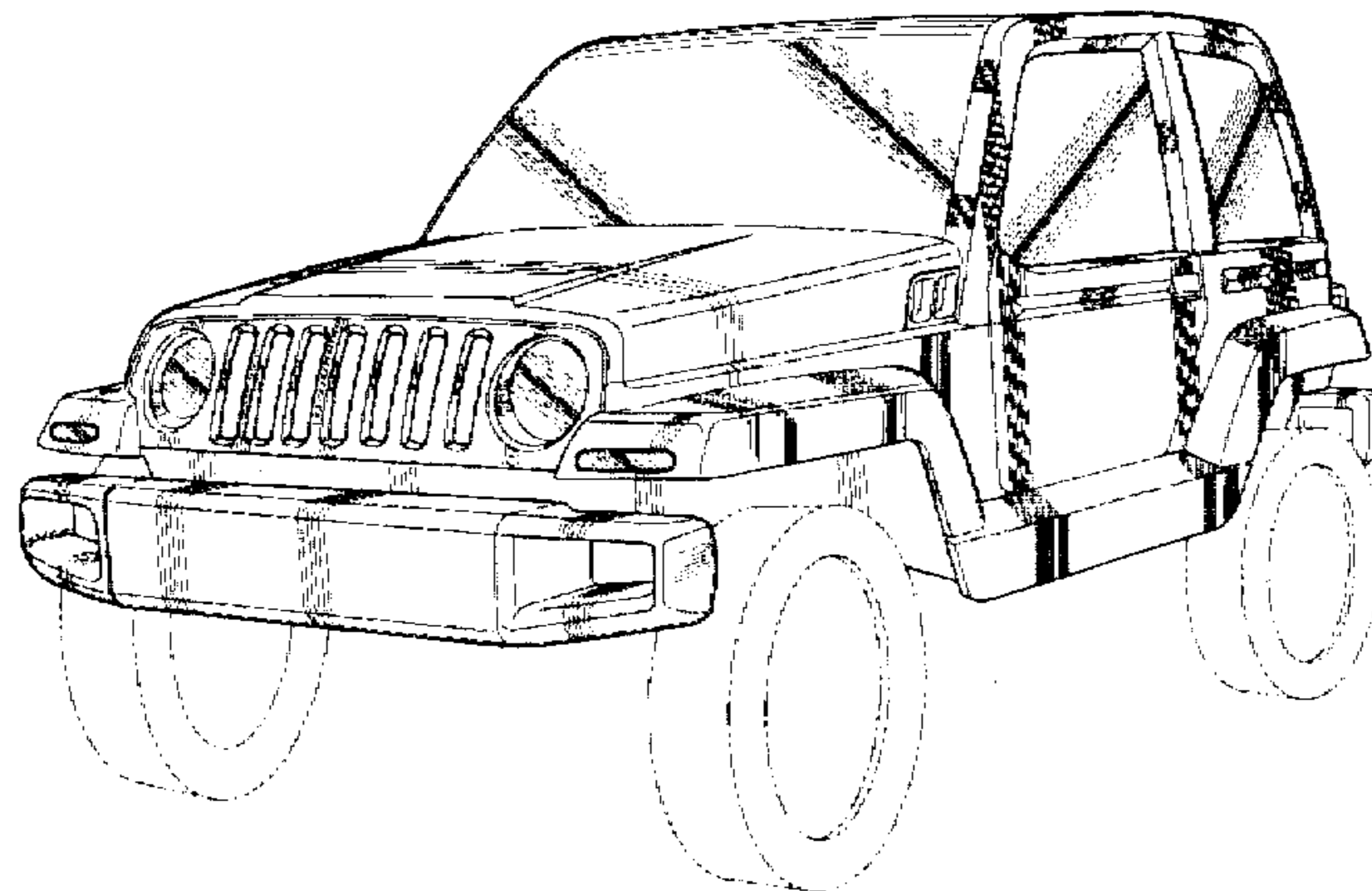
FIG. 4 is a rear view of the vehicle body of FIG. 1;

FIG. 5 is a left side view the vehicle body of FIG. 1; and,

FIG. 6 is a right side view of the vehicle body of FIG. 1.

It will be understood that the roof of the vehicle body is plain and unornamented, and further that the broken line showing on the tires and wheels throughout the views is for illustrative purposes only and forms no part of the claimed design.

**1 Claim, 5 Drawing Sheets**



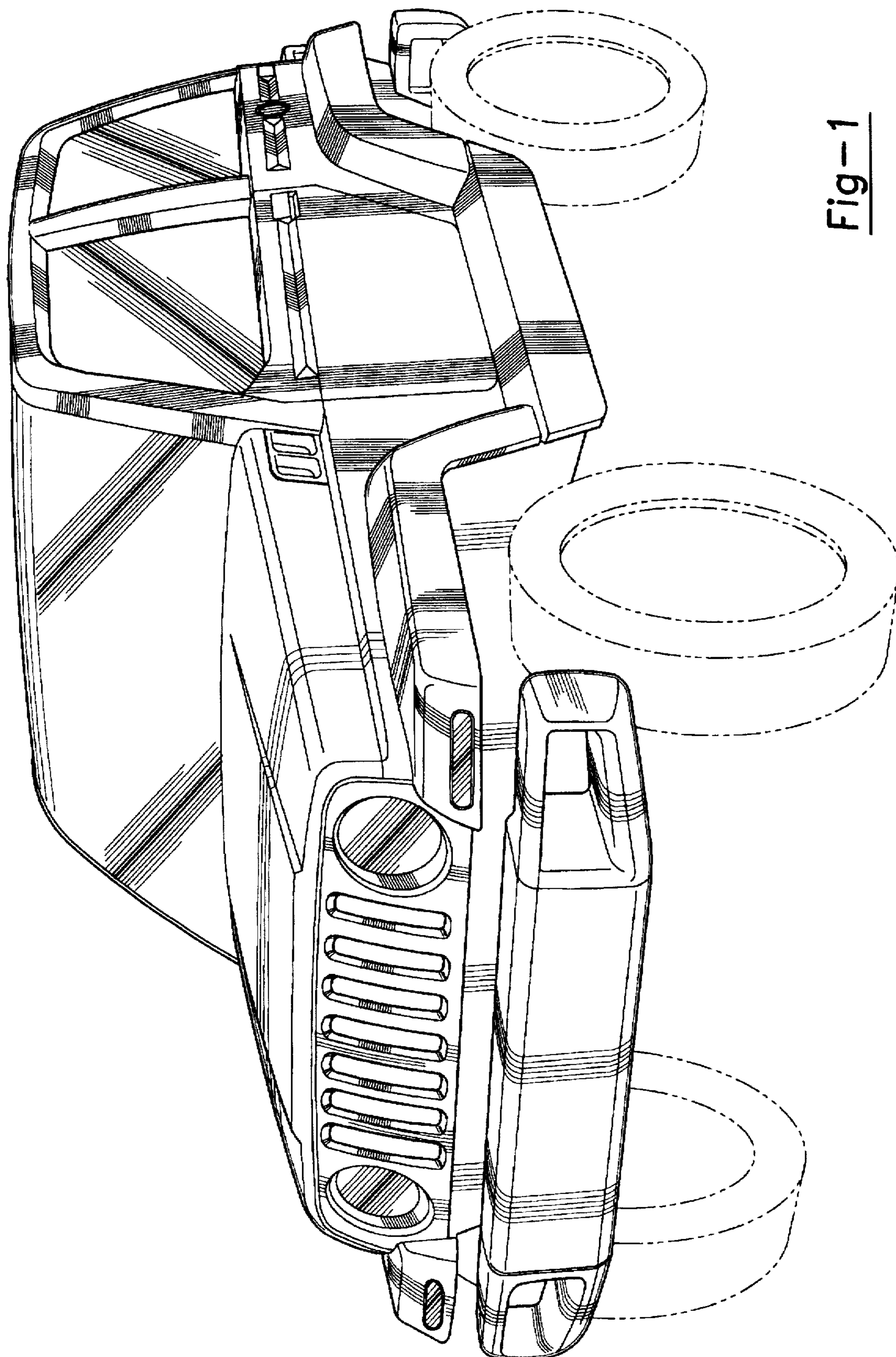


Fig-1



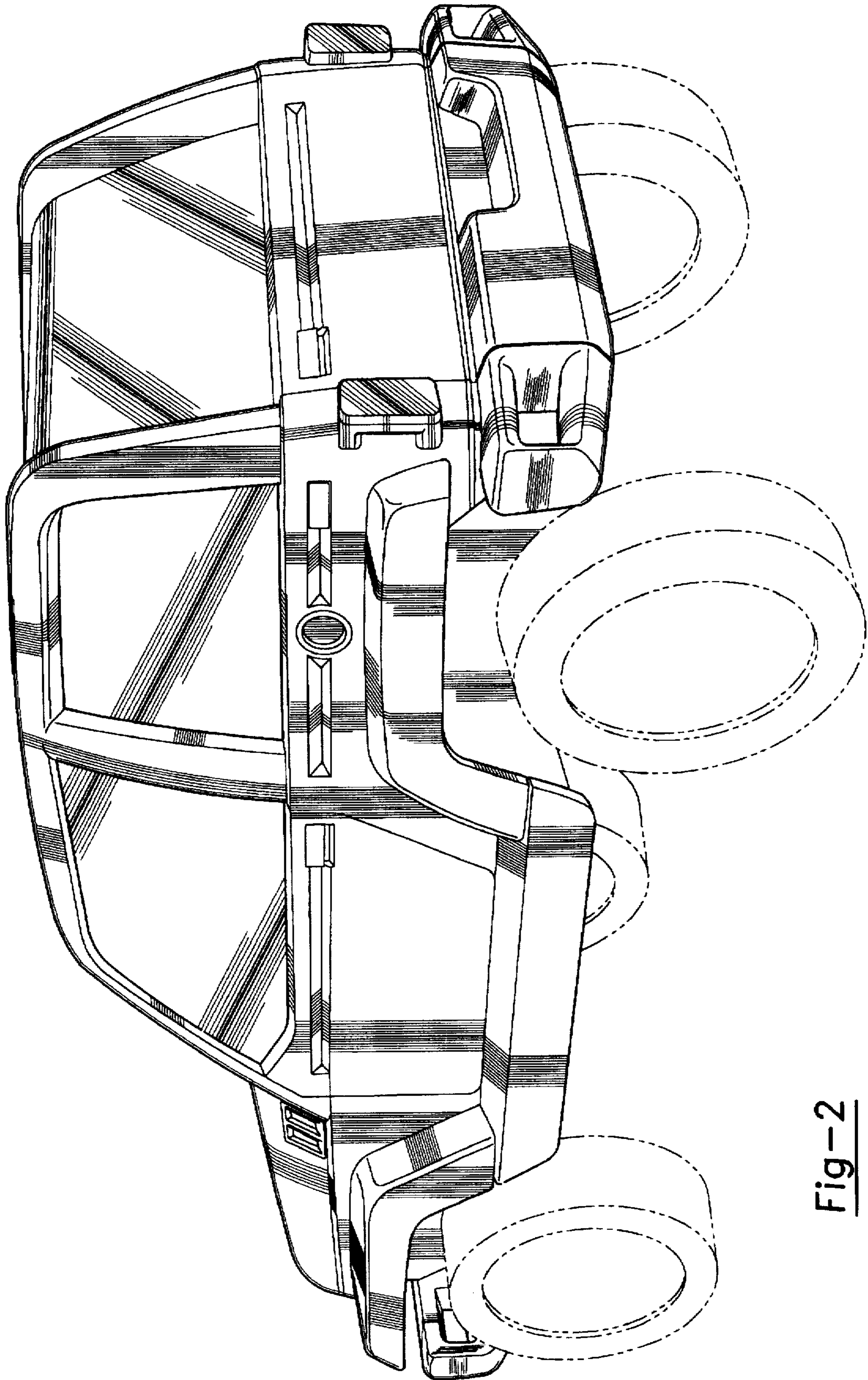


Fig-2

Fig-3

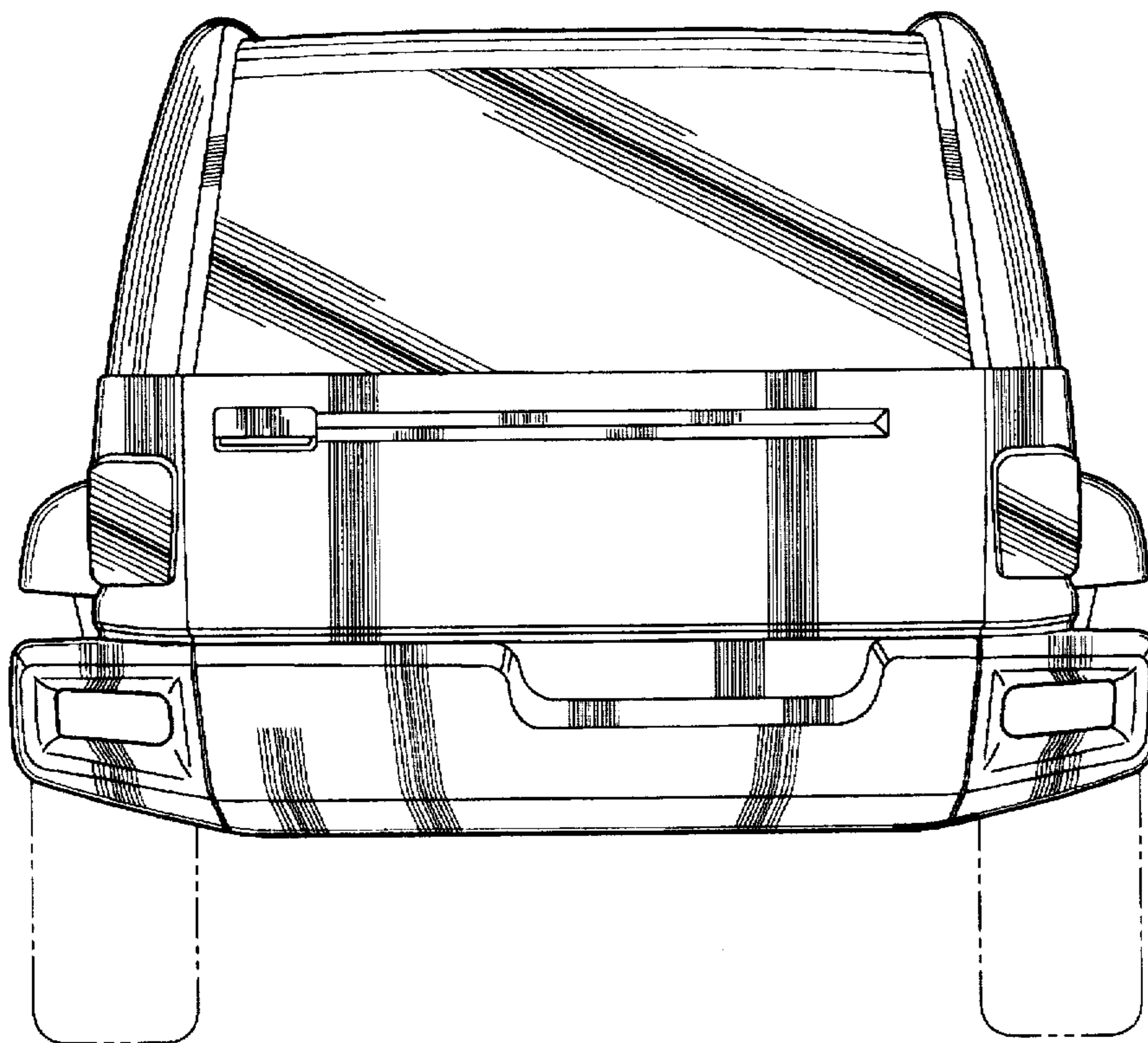
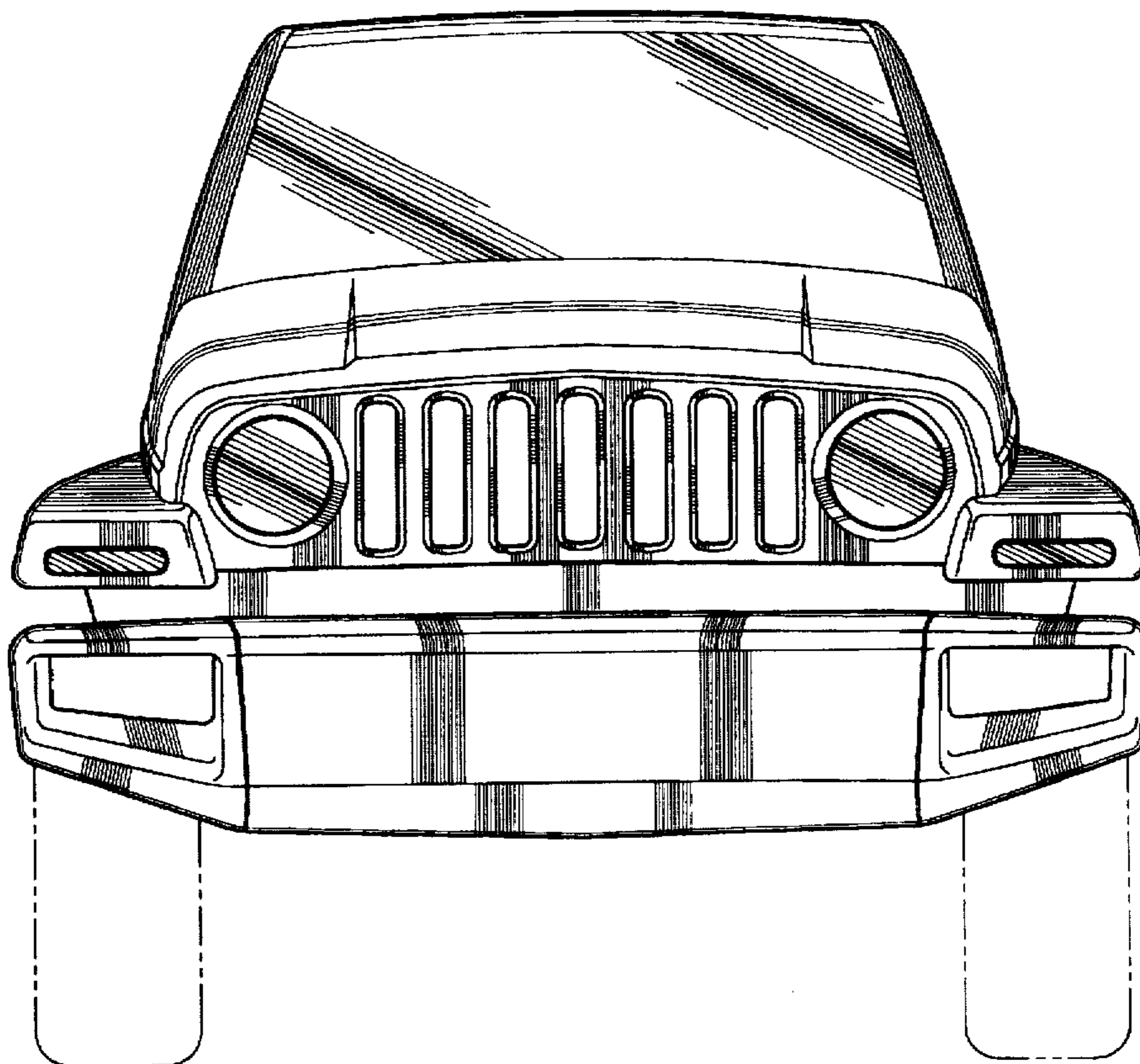


Fig-4



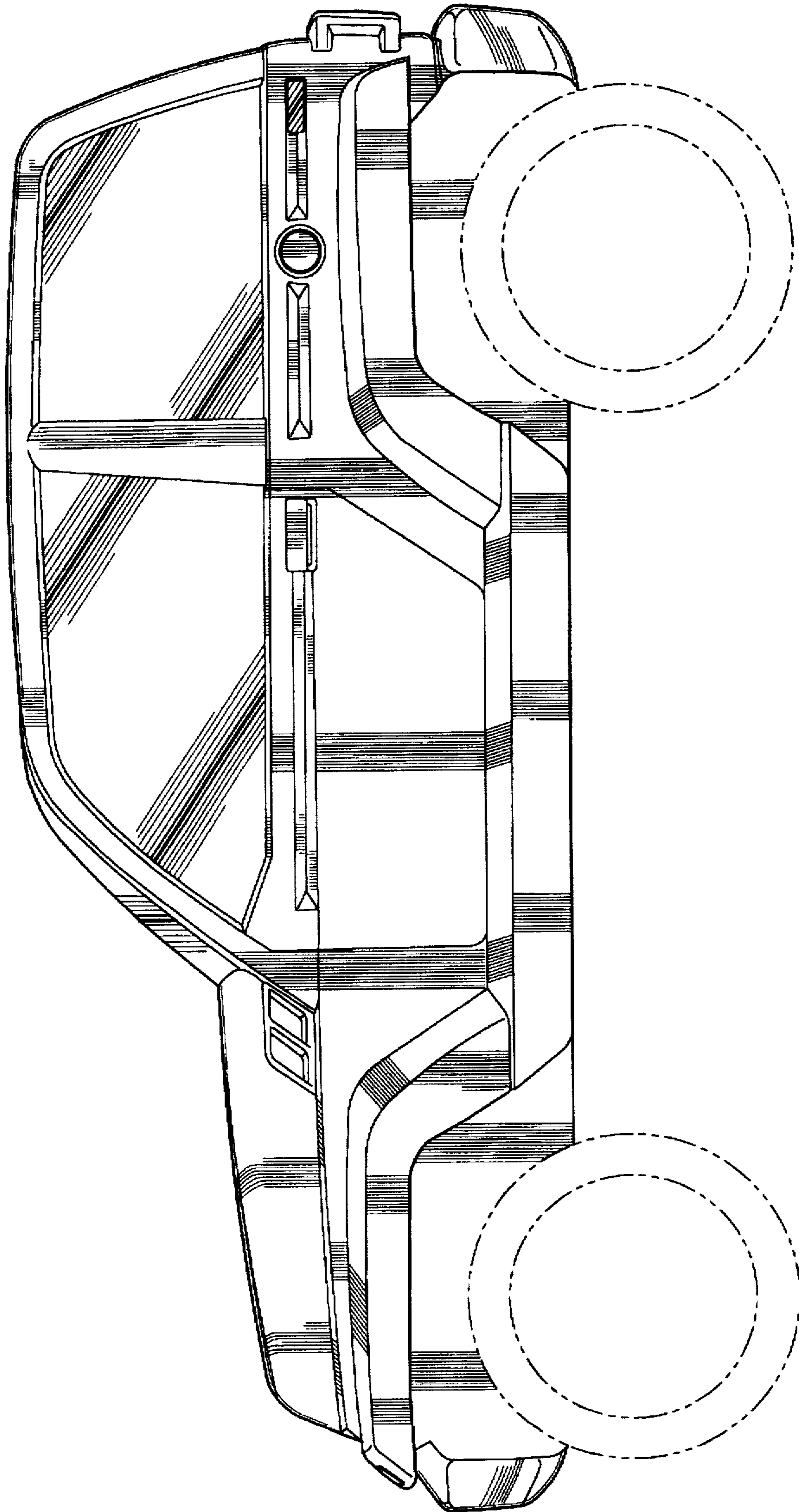


Fig-5

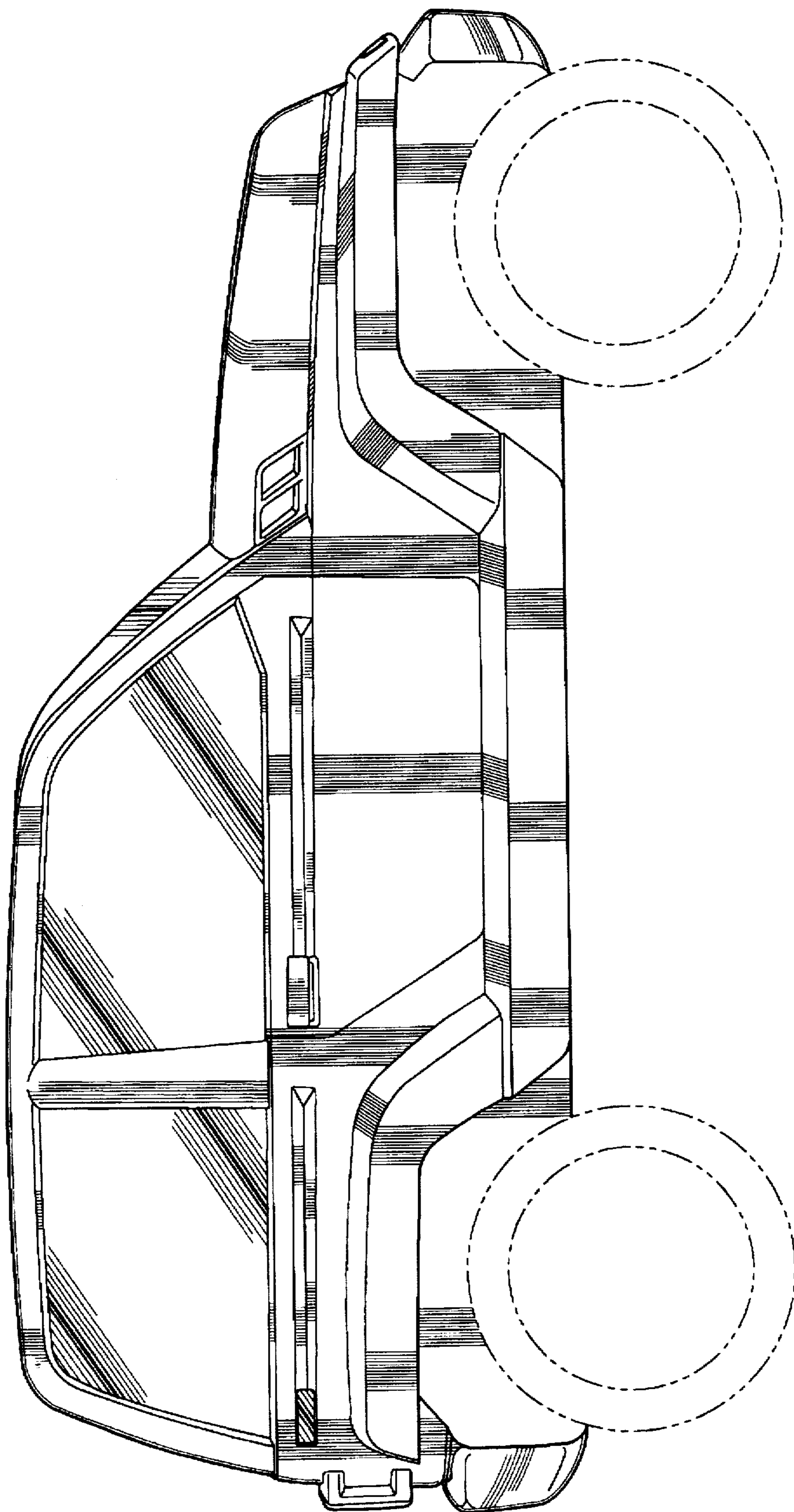


Fig-6