



US00D391514S

United States Patent [19]
Ryan

[11] **Patent Number:** **Des. 391,514**
[45] **Date of Patent:** ****Mar. 3, 1998**

[54] **PUSH BUTTON FOR WIRELESS DOOR CHIME**

[75] **Inventor:** **Thomas J. Ryan, Del Mar, Calif.**

[73] **Assignee:** **Fred. M. Schildwachter & Sons, Inc.,
Bronx, N.Y.**

[**] **Term:** **14 Years**

[21] **Appl. No.:** **74,063**

[22] **Filed:** **Jul. 14, 1997**

[51] **LOC (6) Cl.** **10-05**

[52] **U.S. Cl.** **D10/118**

[58] **Field of Search** D10/104, 116,
D10/118, 121; 340/384.1, 384.3, 384.7,
388.1, 390.1, 391.1, 392.2, 392.4, 404,
405, 406, 407

[56] **References Cited**

U.S. PATENT DOCUMENTS

D. 114,965 5/1939 Rittenhouse D10/118

D. 172,021 4/1954 Grohsgal D10/118
D. 199,446 10/1964 Stevenson D10/118
D. 350,302 9/1994 Dawson D10/118
D. 380,167 6/1997 Ryan D10/118

Primary Examiner—Marcus A. Jackson
Attorney, Agent, or Firm—Eliot S. Gerber

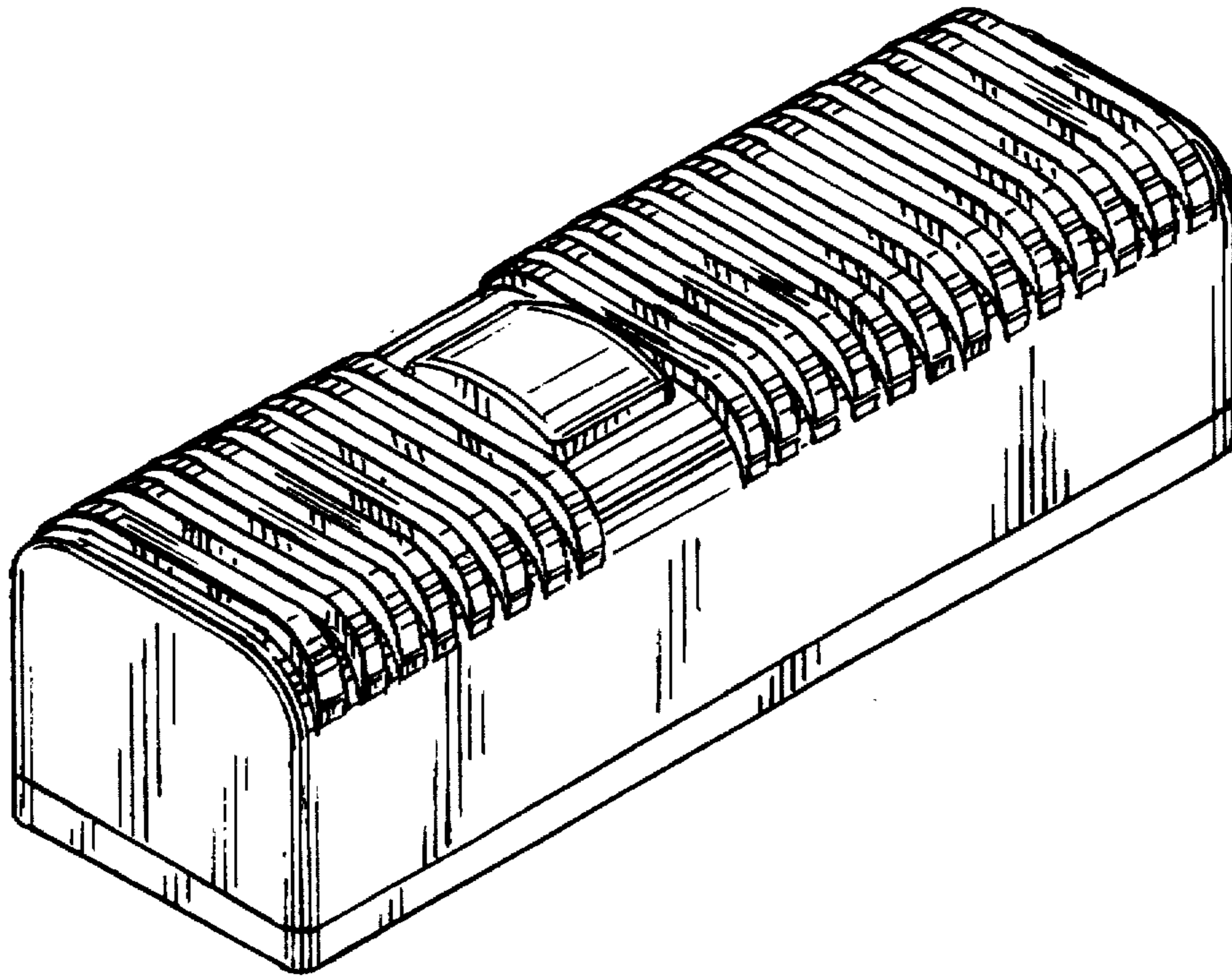
[57] **CLAIM**

The ornamental design for a push button for wireless door chime, as shown and described.

DESCRIPTION

FIG. 1 is a perspective view of a push button for a wireless door chime;
FIG. 2 is a front plan view of the push button of FIG. 1;
FIG. 3 is a top plan view of the push button of FIG. 1;
FIG. 4 is a top plan view of the left side and also the right side of the push button of FIG. 1;
FIG. 5 is a bottom plan view of the push button of FIG. 1; and,
FIG. 6 is a back plan view of the push button of FIG. 1.

1 Claim, 1 Drawing Sheet



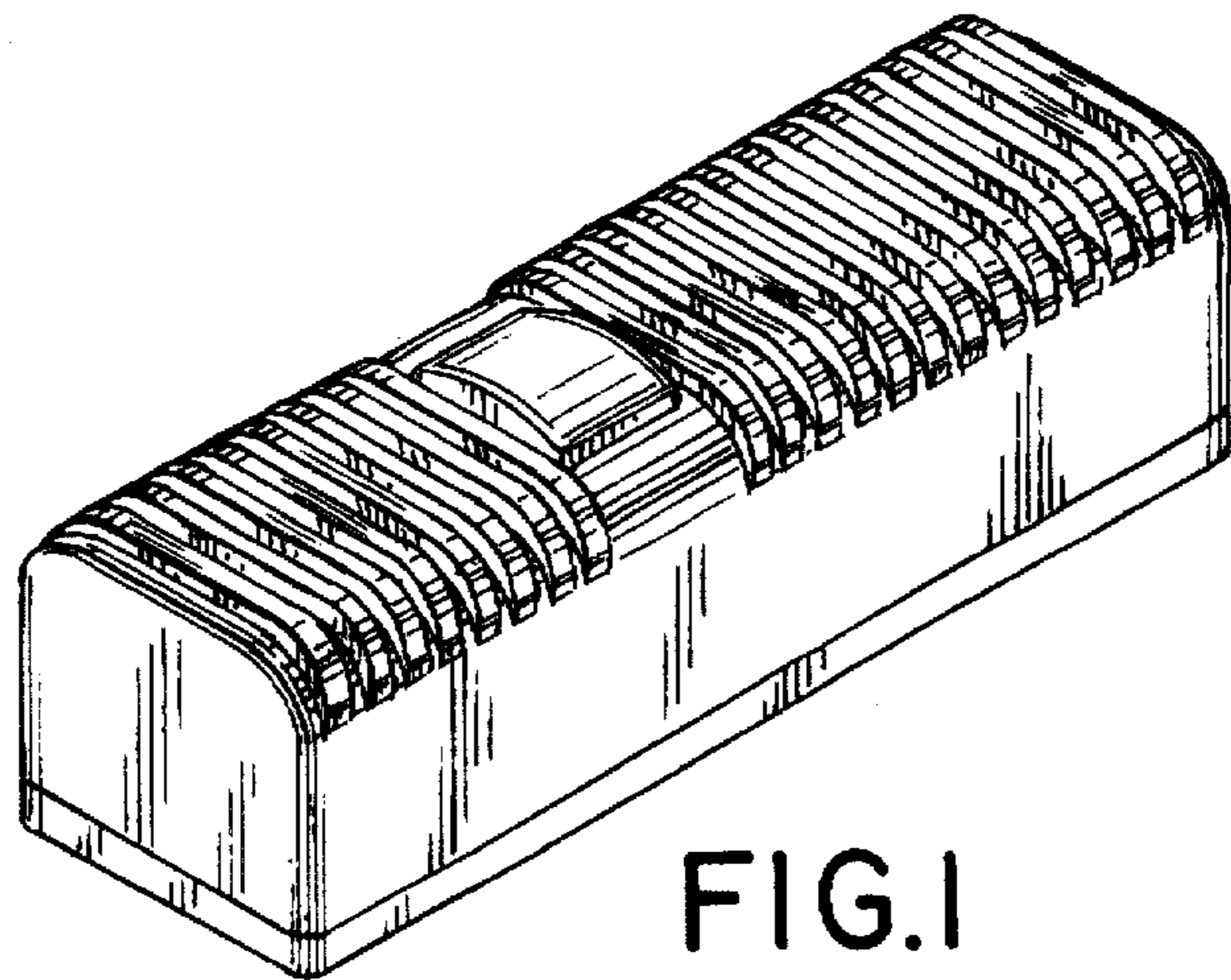


FIG. 1

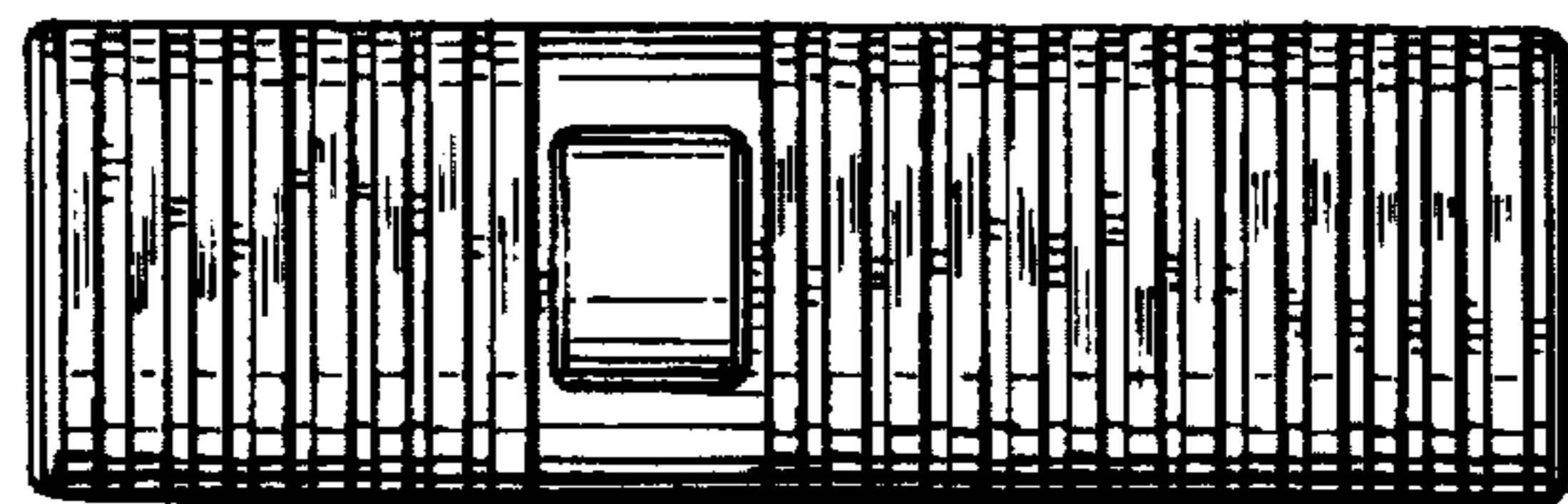


FIG. 2

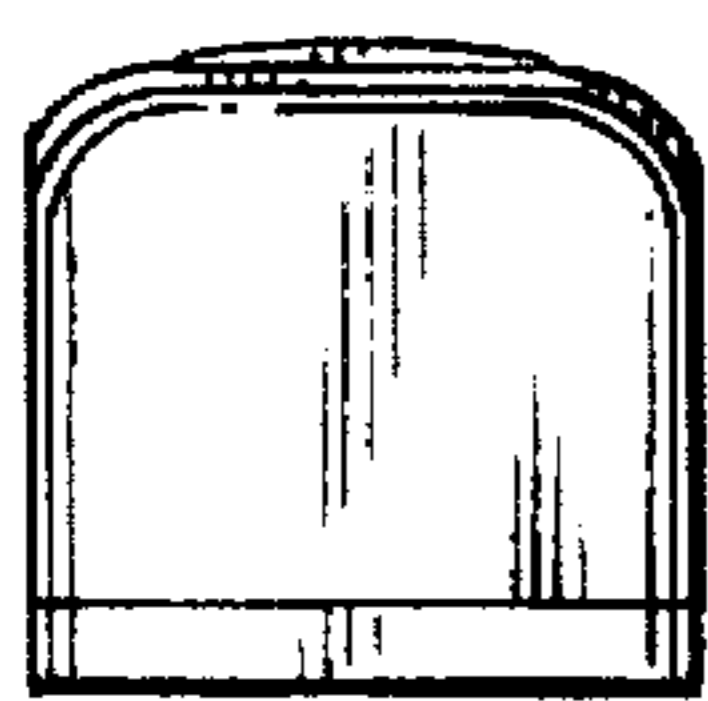


FIG. 3

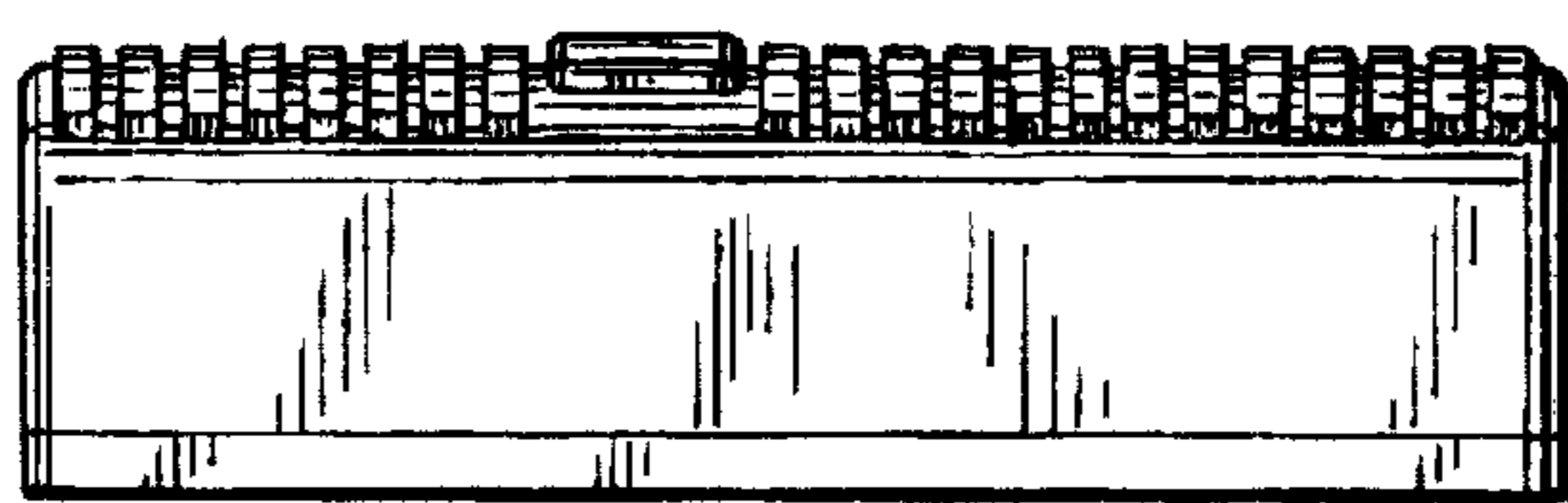


FIG. 4

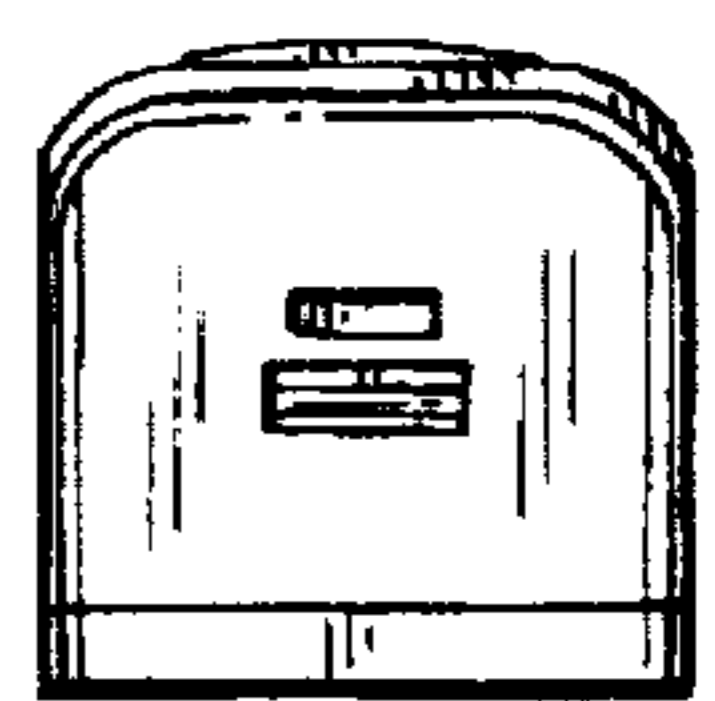


FIG. 5

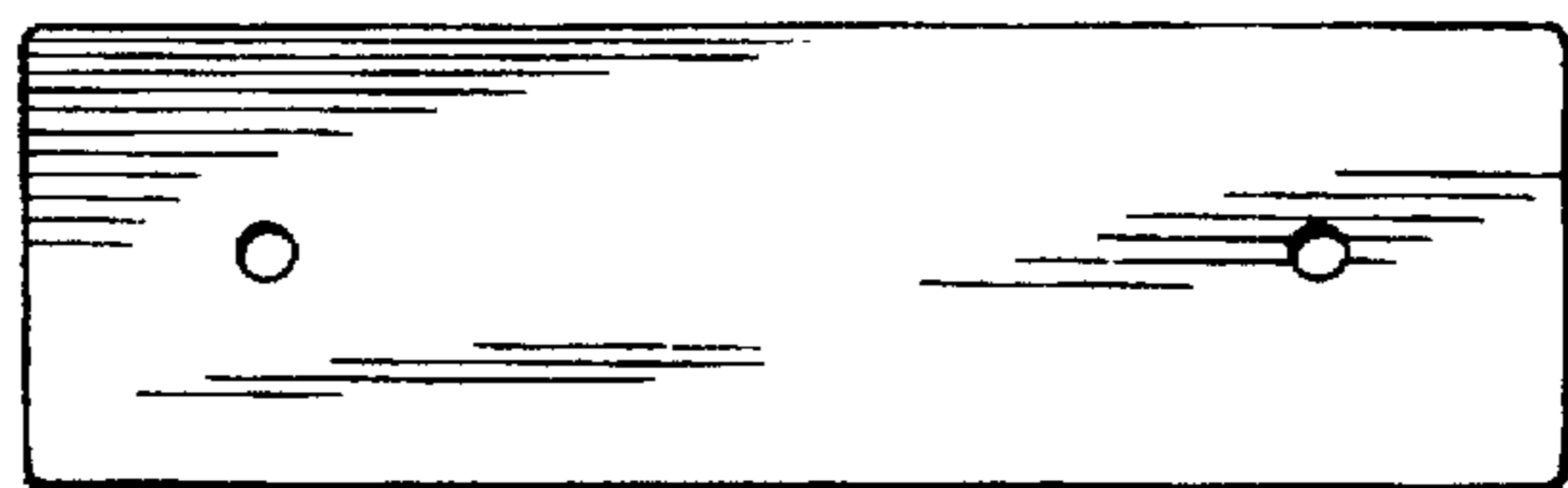


FIG. 6