



US00D391511S

United States Patent [19]

Kadono

[11] Patent Number: **Des. 391,511**

[45] Date of Patent: ****Mar. 3, 1998**

[54] **HOUSING FOR A FIRE ALARM**

[75] Inventor: **Tsuyoshi Kadono**, Osaka, Japan

[73] Assignee: **Matsushita Electric Works, Ltd.**,
Osaka-fu, Japan

[**] Term: **14 Years**

[21] Appl. No.: **62,896**

[22] Filed: **Dec. 2, 1996**

[30] **Foreign Application Priority Data**

May 31, 1996 [JP] Japan 8-16131

[51] LOC (6) Cl. **10-05**

[52] U.S. Cl. **D10/106**

[58] Field of Search D10/104, 106,
D10/116, 121; 340/540, 541, 545, 571,
572, 573, 627, 628, 629, 630

[56] **References Cited**

U.S. PATENT DOCUMENTS

D. 319,798 9/1991 Hatano D10/106

D. 331,547	12/1992	Ogawa et al.	D10/106
D. 340,201	10/1993	Fenne et al.	D10/106
D. 340,202	10/1993	Fenne et al.	D10/106
D. 340,659	10/1993	Fenne	D10/106
D. 355,862	2/1995	Tice et al.	D10/106

Primary Examiner—Marcus A. Jackson
Attorney, Agent, or Firm—Burns, Doane, Swecker & Mathis, L.L.P.

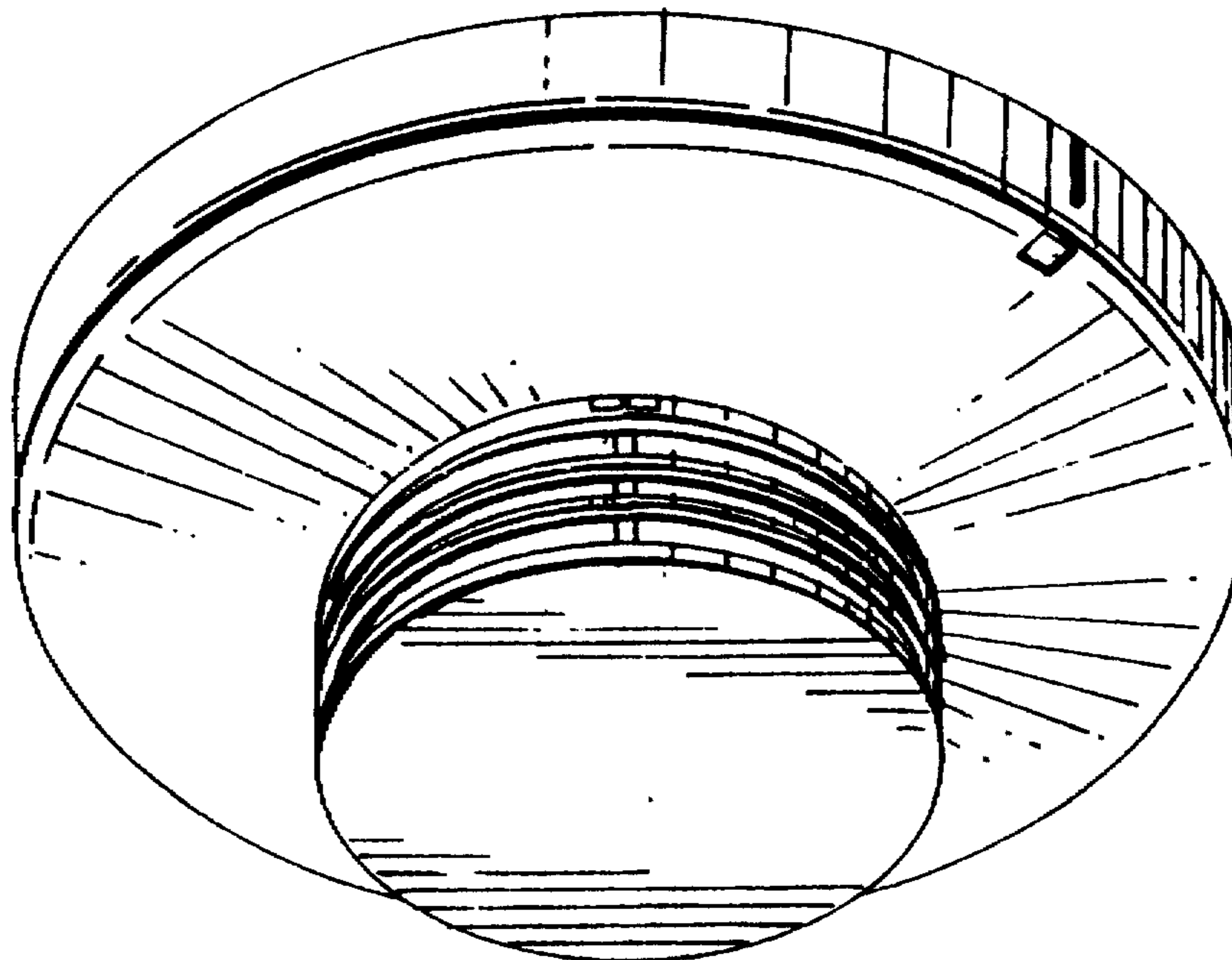
[57] **CLAIM**

The ornamental design for the housing for a fire alarm, as shown and described.

DESCRIPTION

FIG. 1 is a perspective view of my new design for housing for a fire alarm;
FIG. 2 is is a front elevational view thereof;
FIG. 3 is a rear elevational view thereof;
FIG. 4 is a right side elevational view thereof;
FIG. 5 is a left side elevational view thereof;
FIG. 6 is a top plan view thereof; and,
FIG. 7 is a bottom plan view thereof.

1 Claim, 1 Drawing Sheet



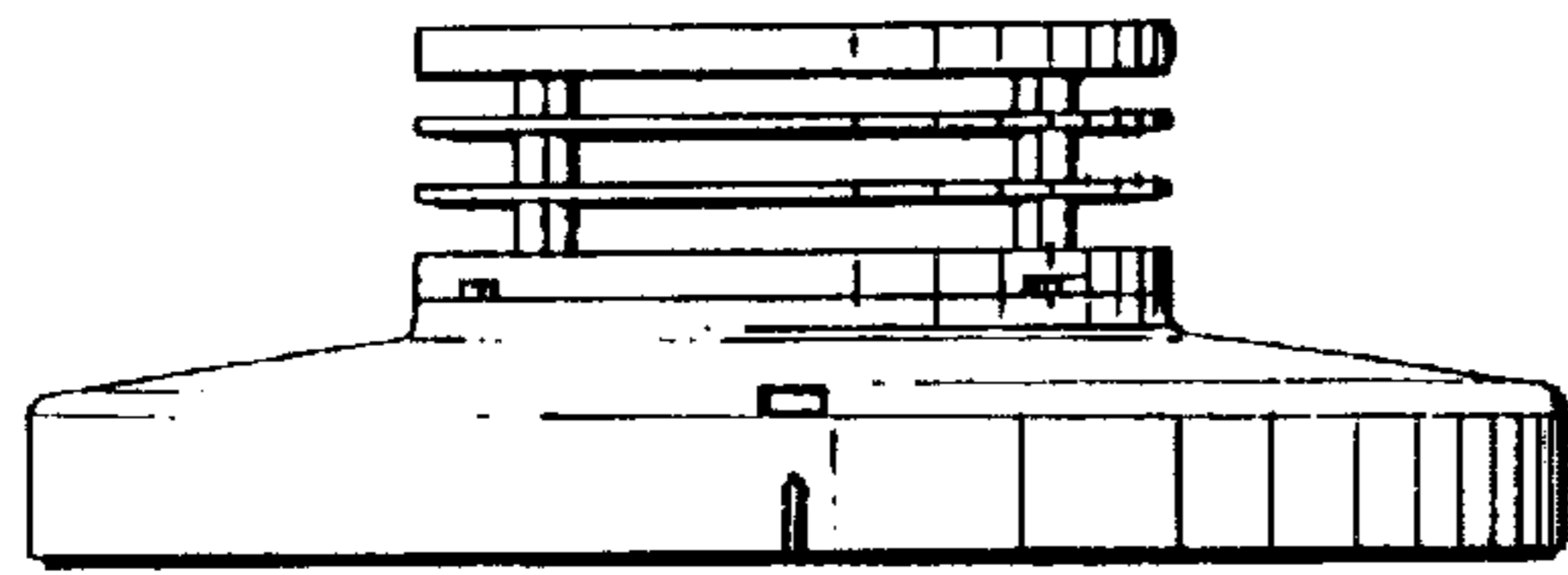


FIG. 2

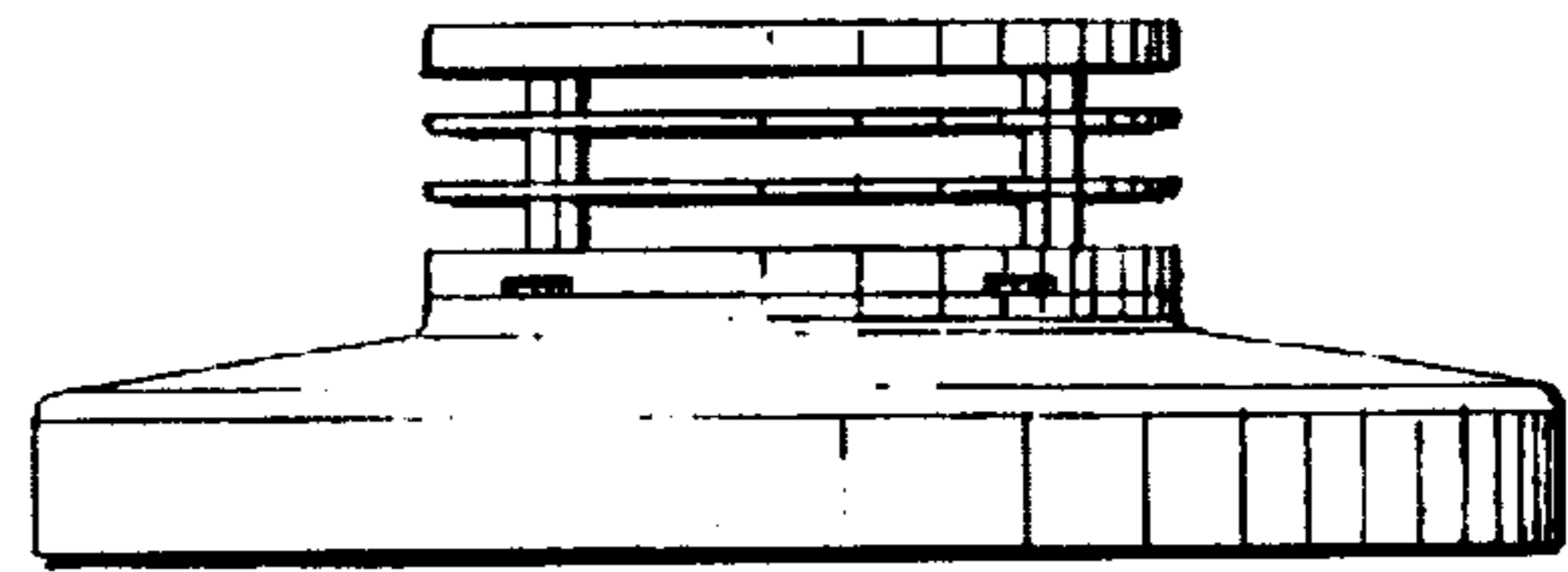


FIG. 3

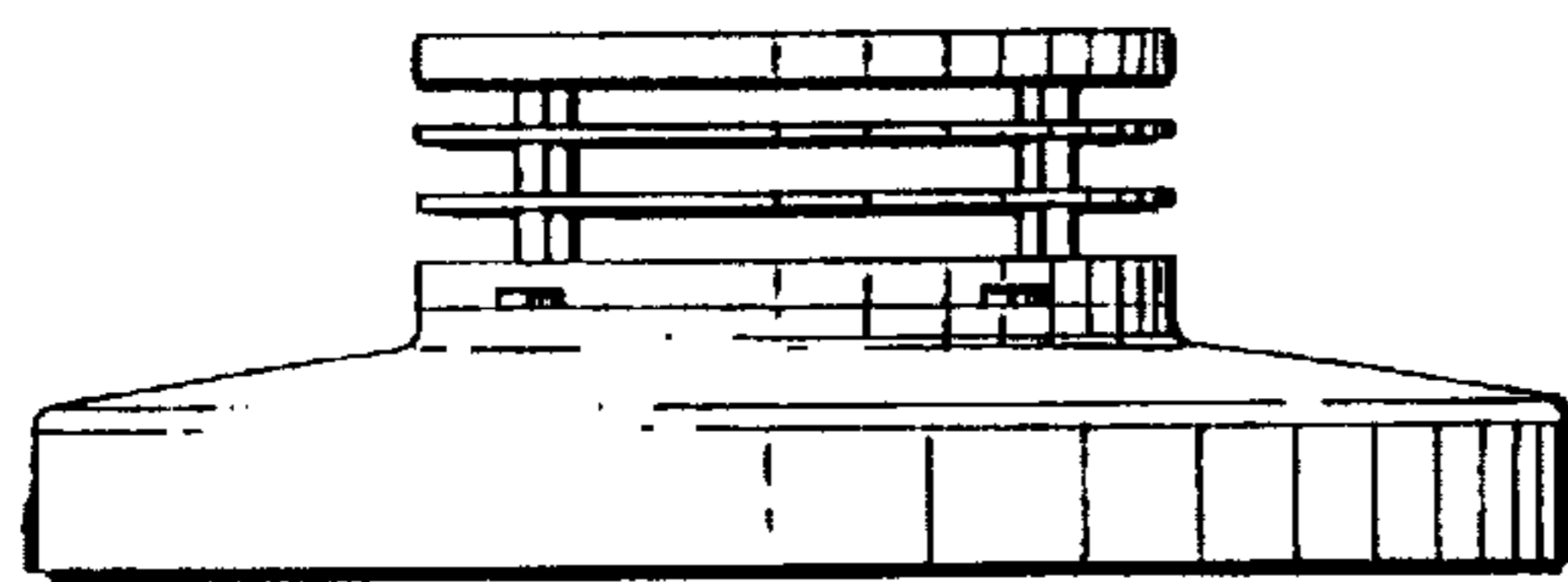


FIG. 4

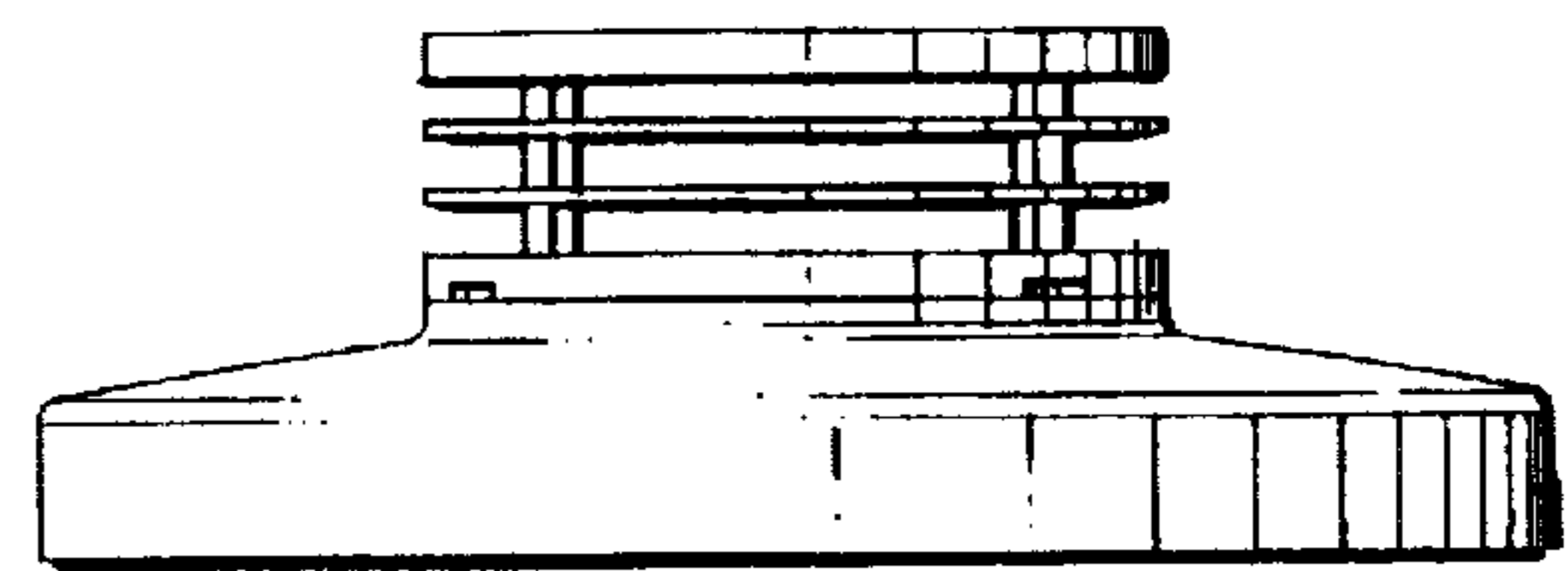


FIG. 5

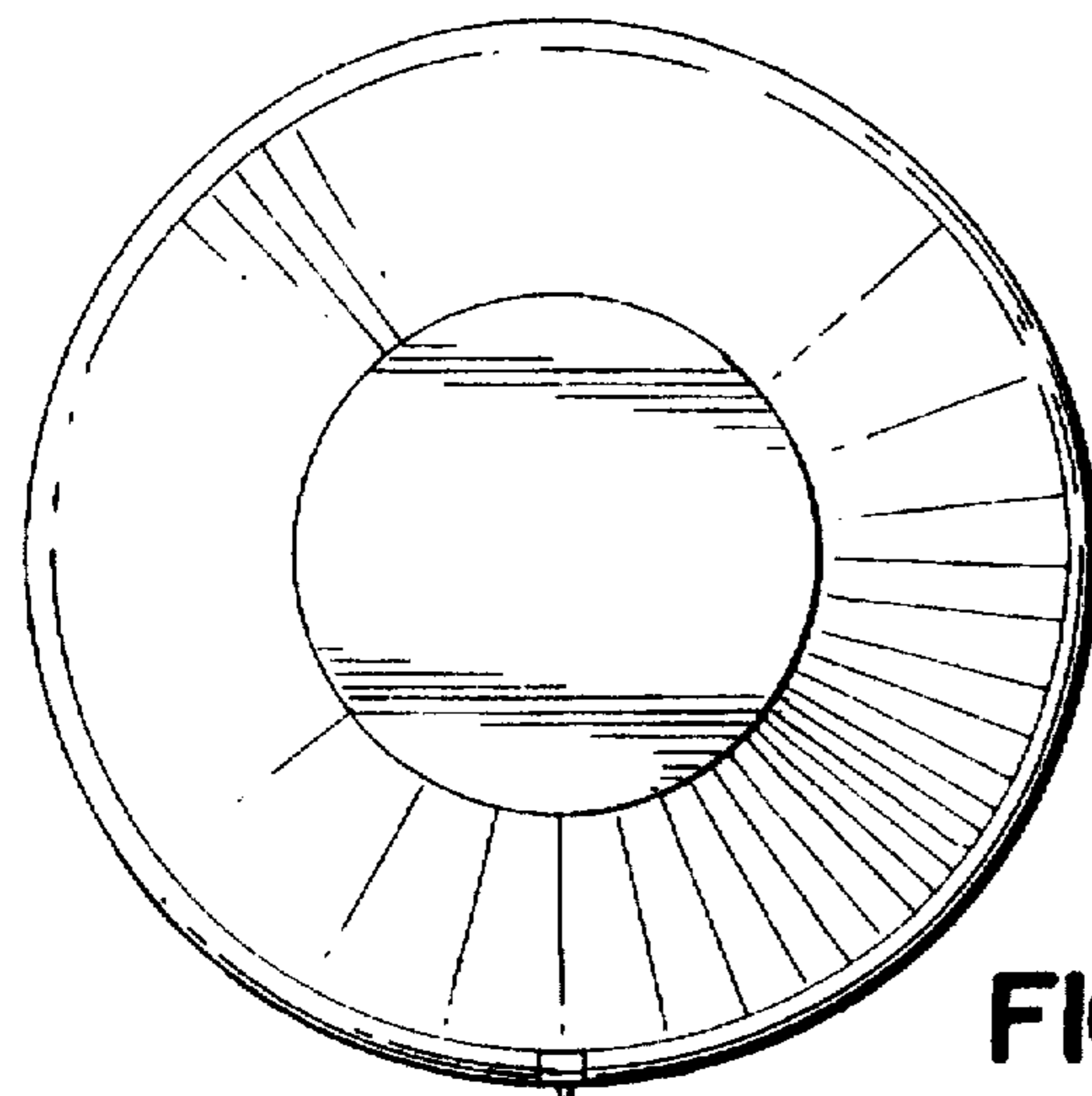


FIG. 6

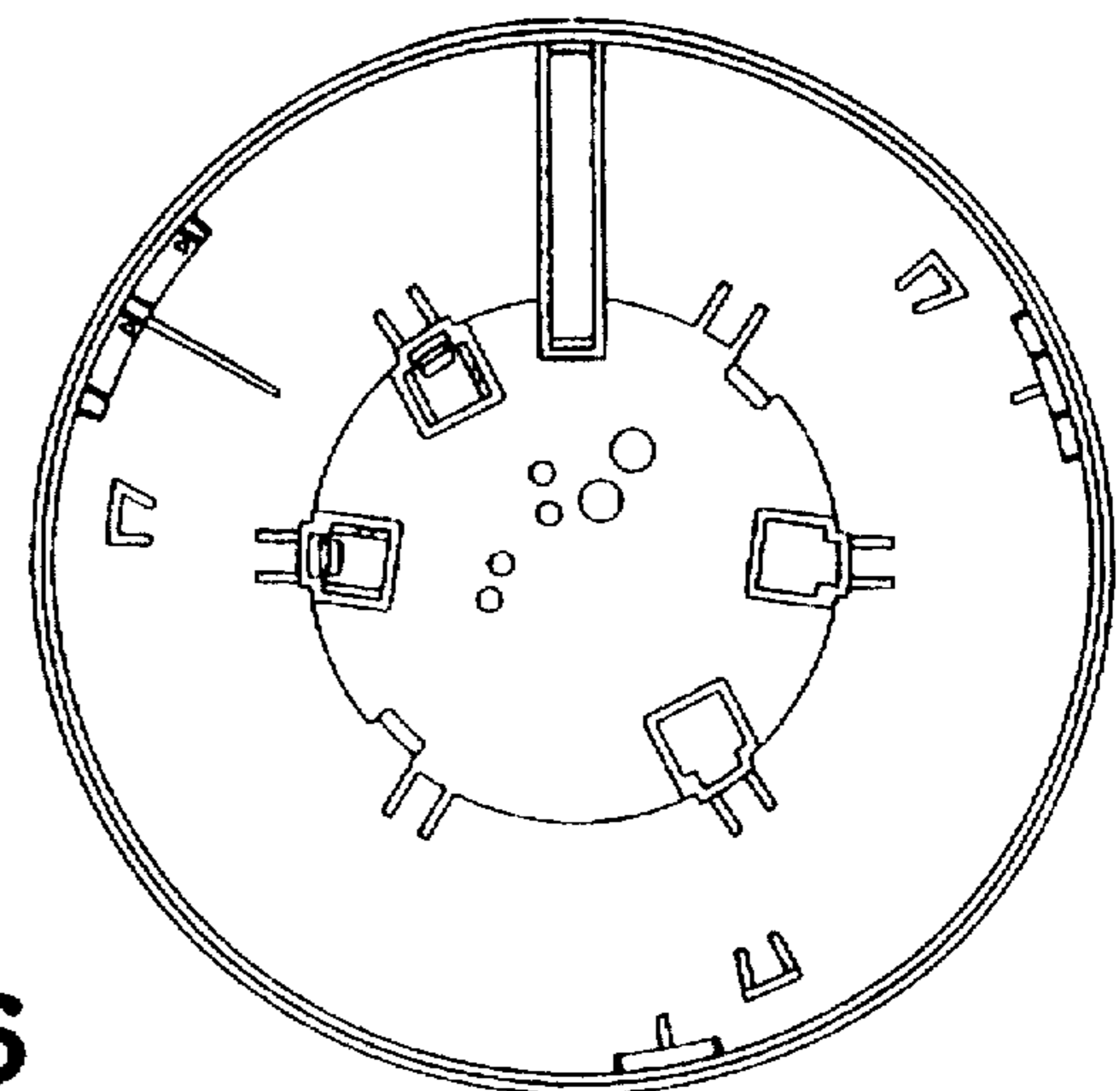


FIG. 7

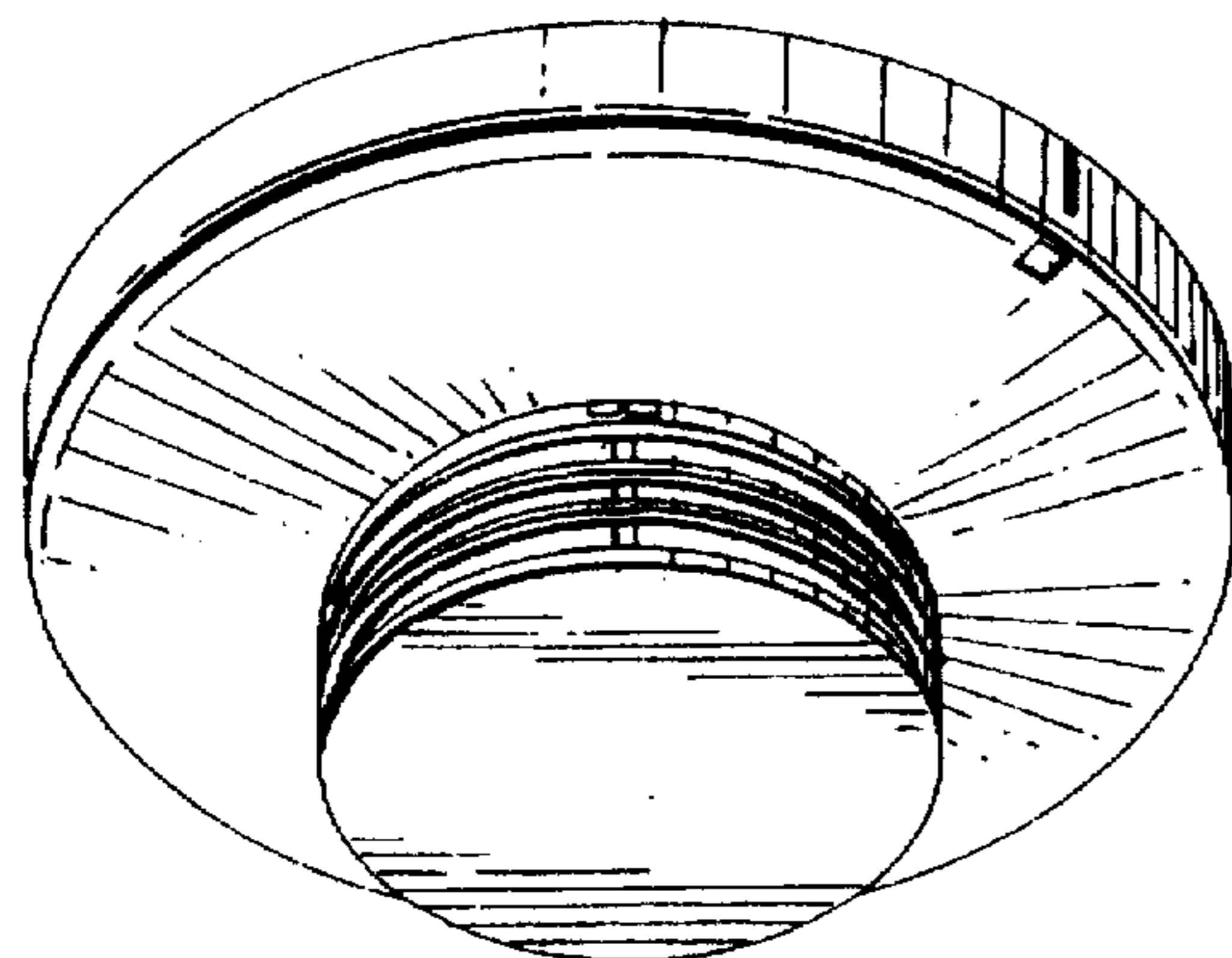


FIG. 1