



US00D391499S

# United States Patent [19]

Houlihan et al.

[11] Patent Number: **Des. 391,499**

[45] Date of Patent: **\*\*Mar. 3, 1998**

[54] **BEZEL AND CASING FOR A WATCH**

[76] Inventors: **John T. Houlihan**, 334 Tepi Dr., Southbury, Conn. 06798; **Luis B. Jimenez**, Casa Nuestra Subd Bankal, #19, Lapu-Lapu City, 6015, Philippines; **Richard J. Toth**, 799 SW. 17th St., Boca Raton, Fla. 33432

[\*\*] Term: **14 Years**

[21] Appl. No.: **70,156**

[22] Filed: **Apr. 30, 1997**

[51] LOC (6) Cl. .... **10-02**

[52] U.S. Cl. .... **D10/30; D10/38**

[58] Field of Search ..... **D10/1-40, 122-132; 368/280-282, 276-277, 28-30, 285, 239-242, 82-84, 41-44**

[56] **References Cited**

**U.S. PATENT DOCUMENTS**

D. 323,126 1/1992 Kawashima ..... D10/39

D. 327,450 6/1992 Nakai ..... D10/38  
D. 364,572 11/1995 Guto ..... D10/39  
D. 366,426 1/1996 Kojima ..... D10/39

*Primary Examiner*—Nelson C. Holtje  
*Attorney, Agent, or Firm*—Paul R. Juhasz

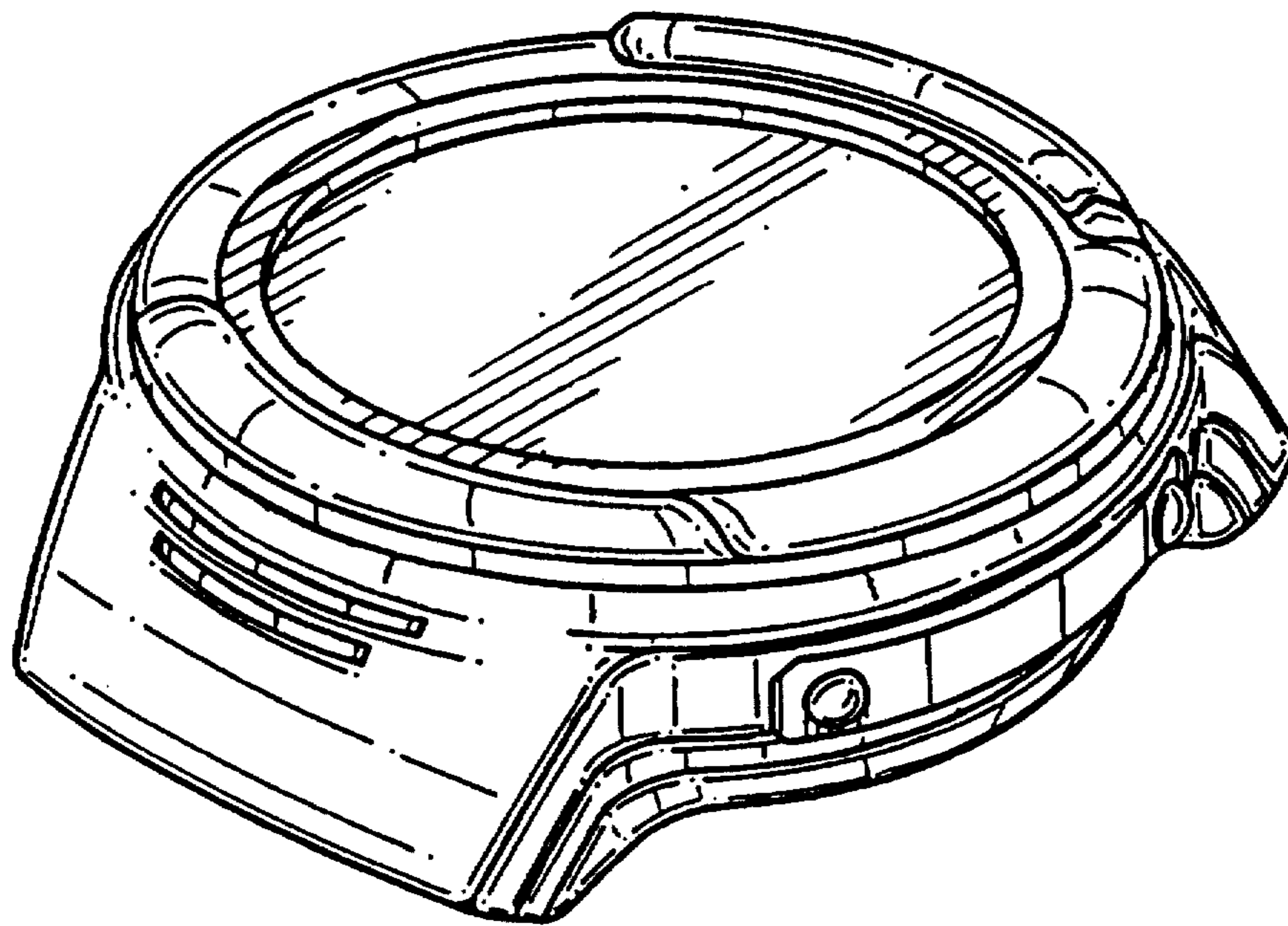
[57] **CLAIM**

The ornamental design for a "bezel and casing for a watch", as shown and described.

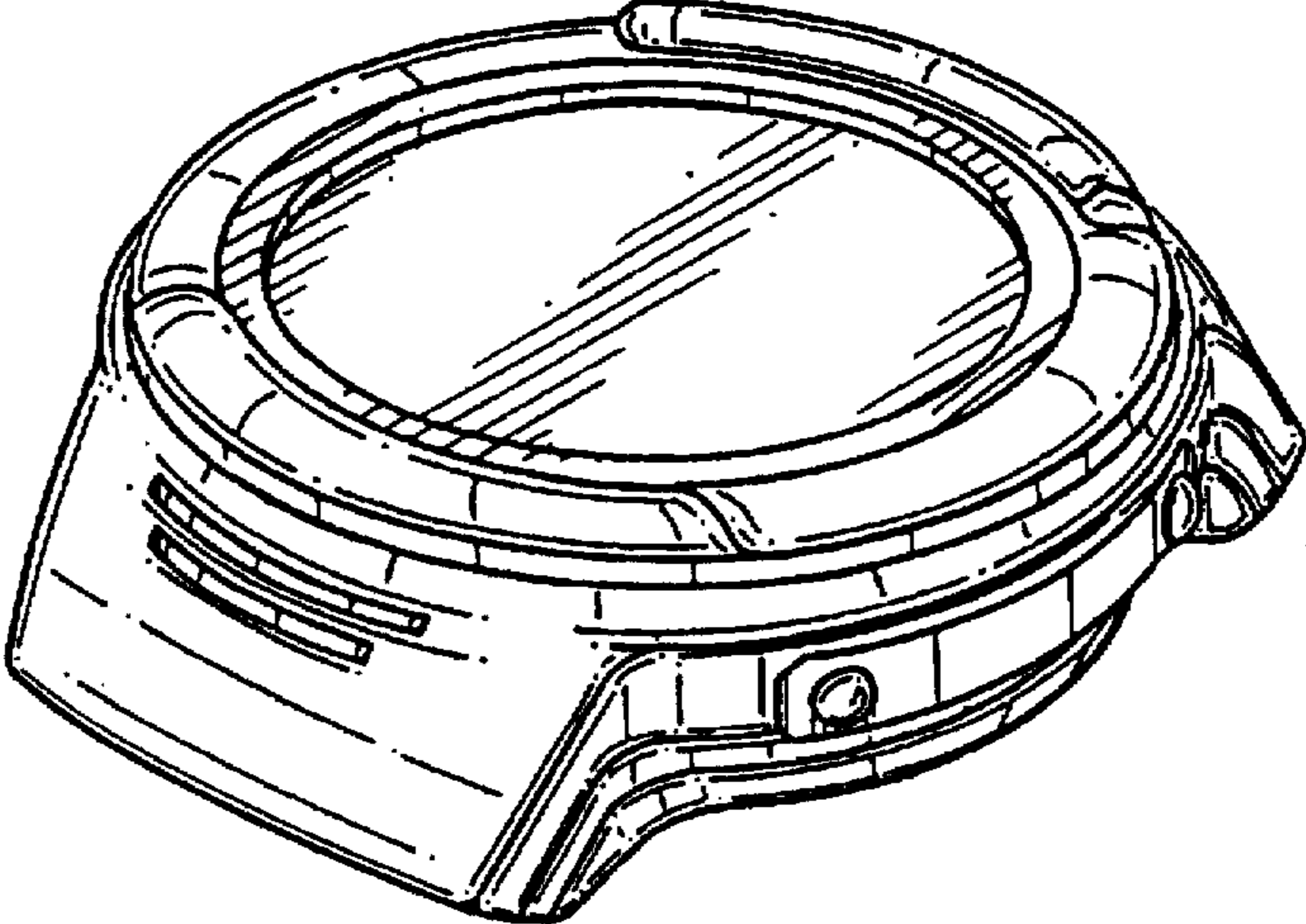
**DESCRIPTION**

FIG. 1 is a perspective elevational view of a "bezel and casing for a watch";  
FIG. 2 is a left side elevational view thereof;  
FIG. 3 is a top plan view thereof;  
FIG. 4 is a right side elevational view thereof;  
FIG. 5 is an end elevational view thereof;  
FIG. 6 is the other end elevational view thereof; and,  
FIG. 7 is a bottom plan view thereof.

**1 Claim, 2 Drawing Sheets**



*FIG. 1*



*FIG. 7*

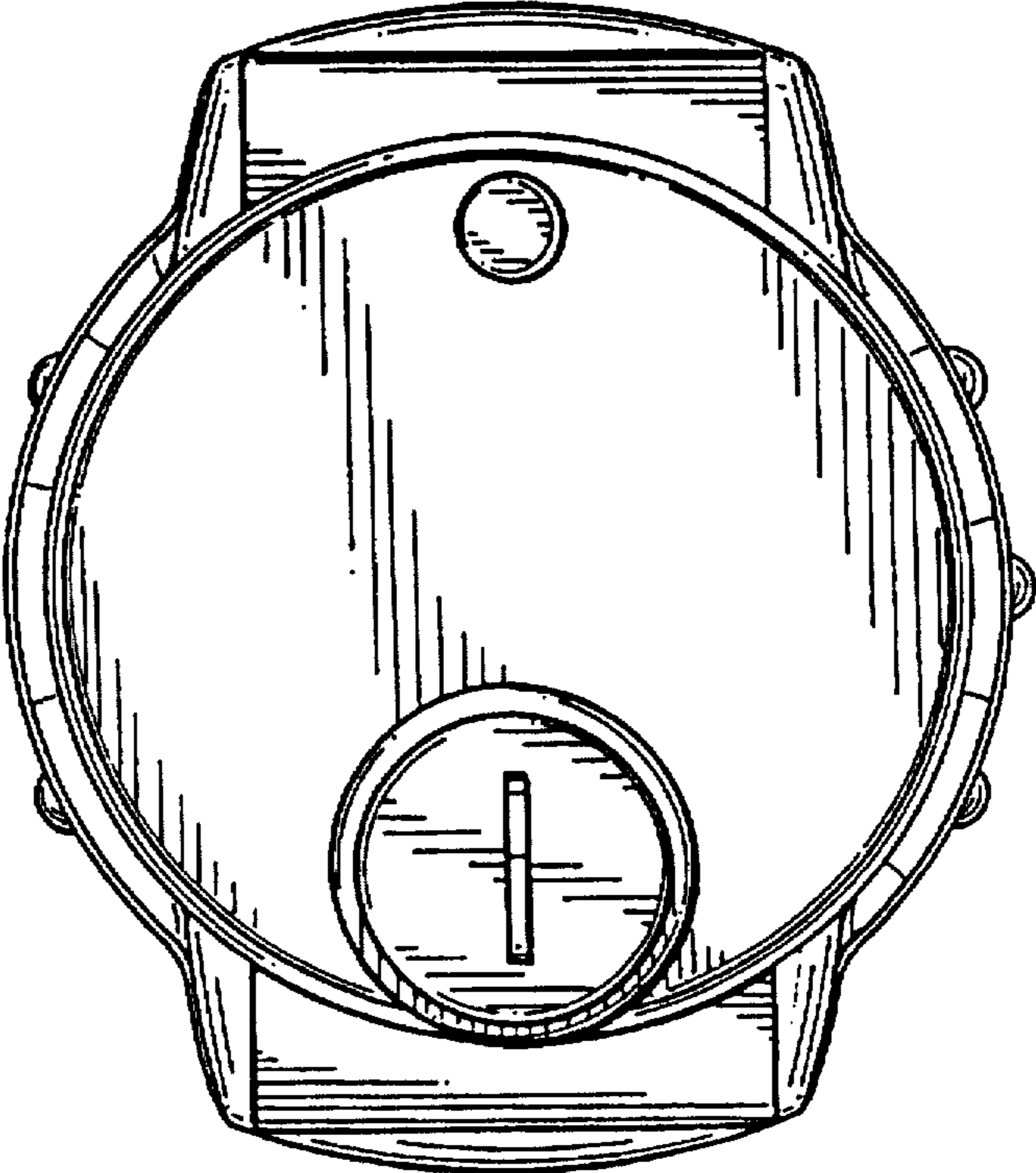


FIG. 4

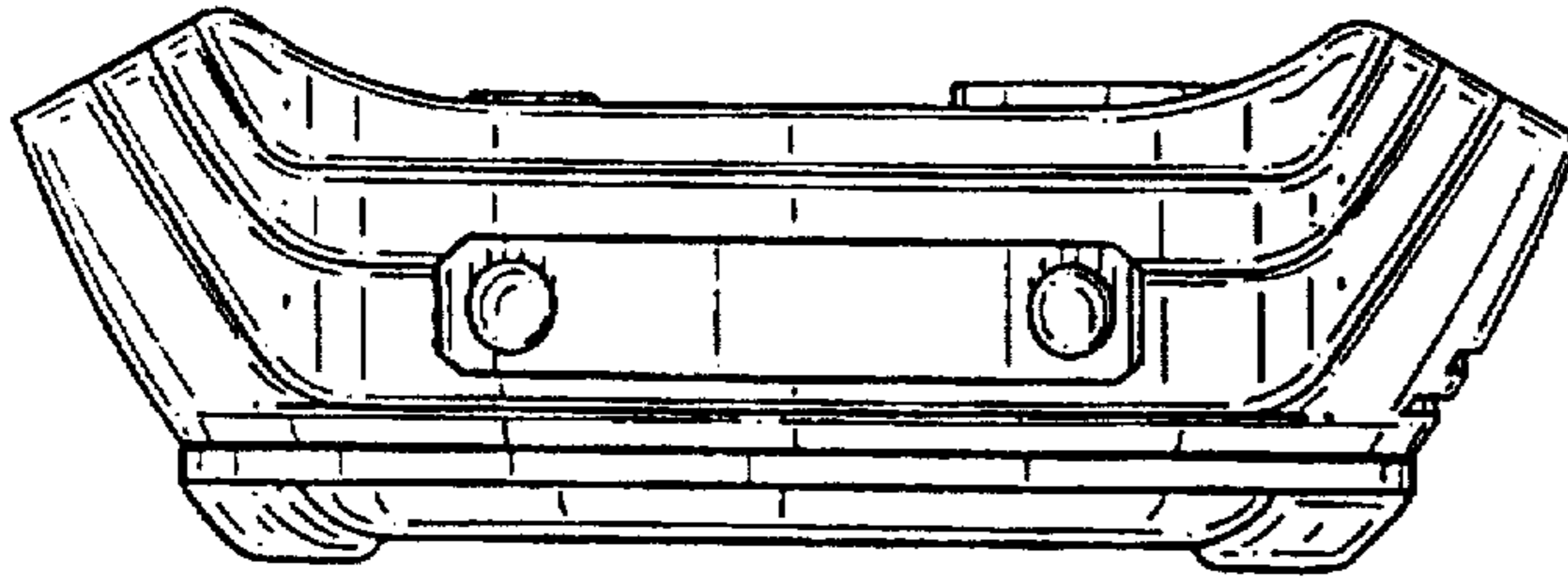


FIG. 3

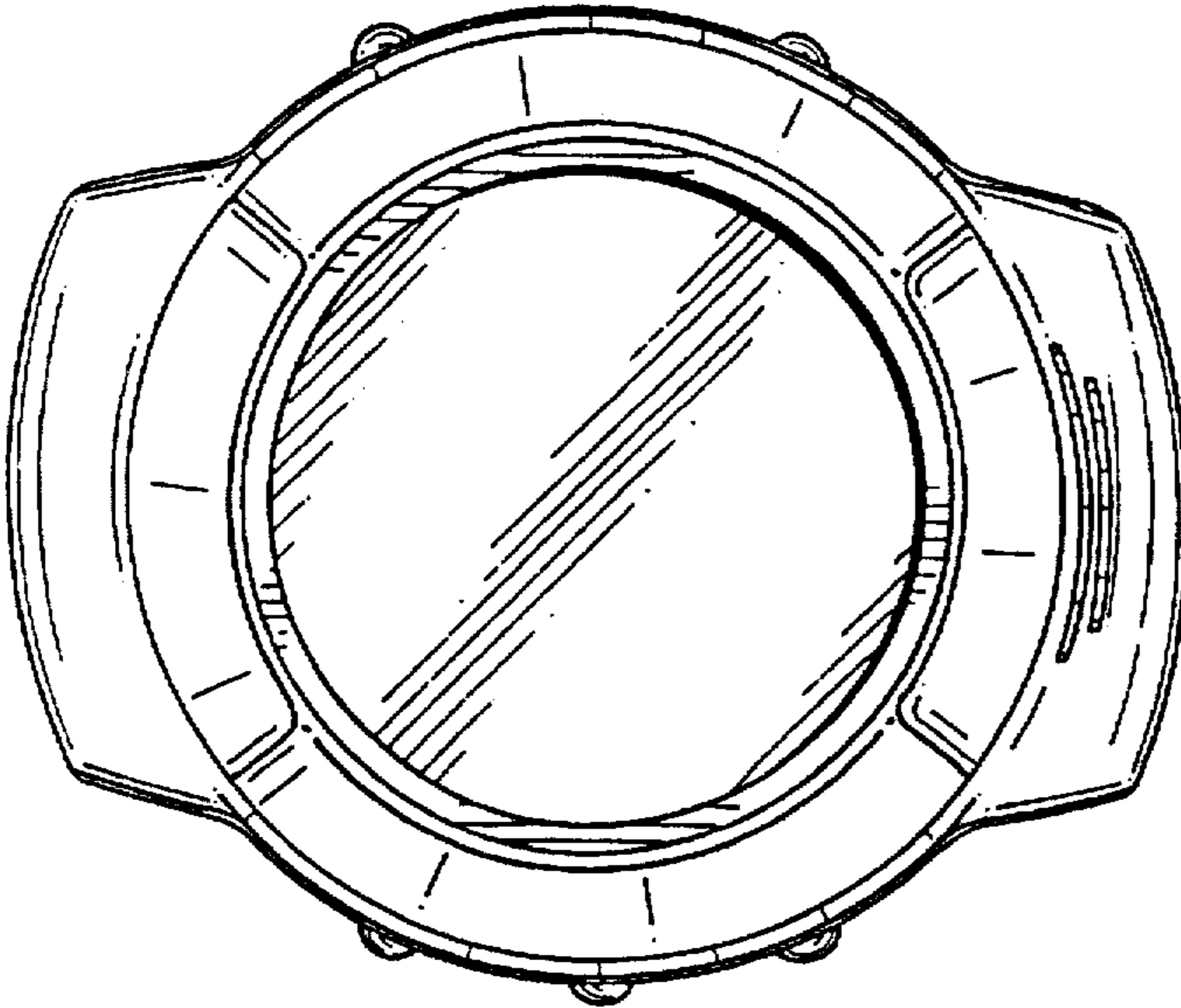


FIG. 2

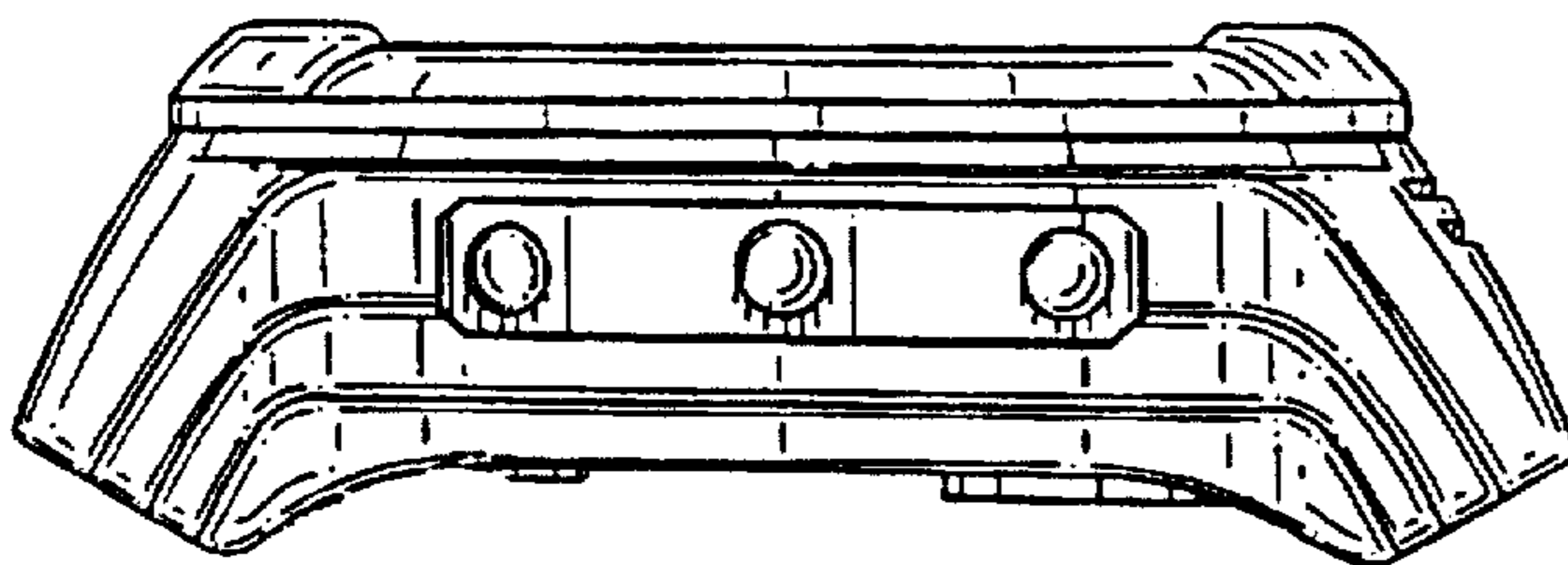


FIG. 6

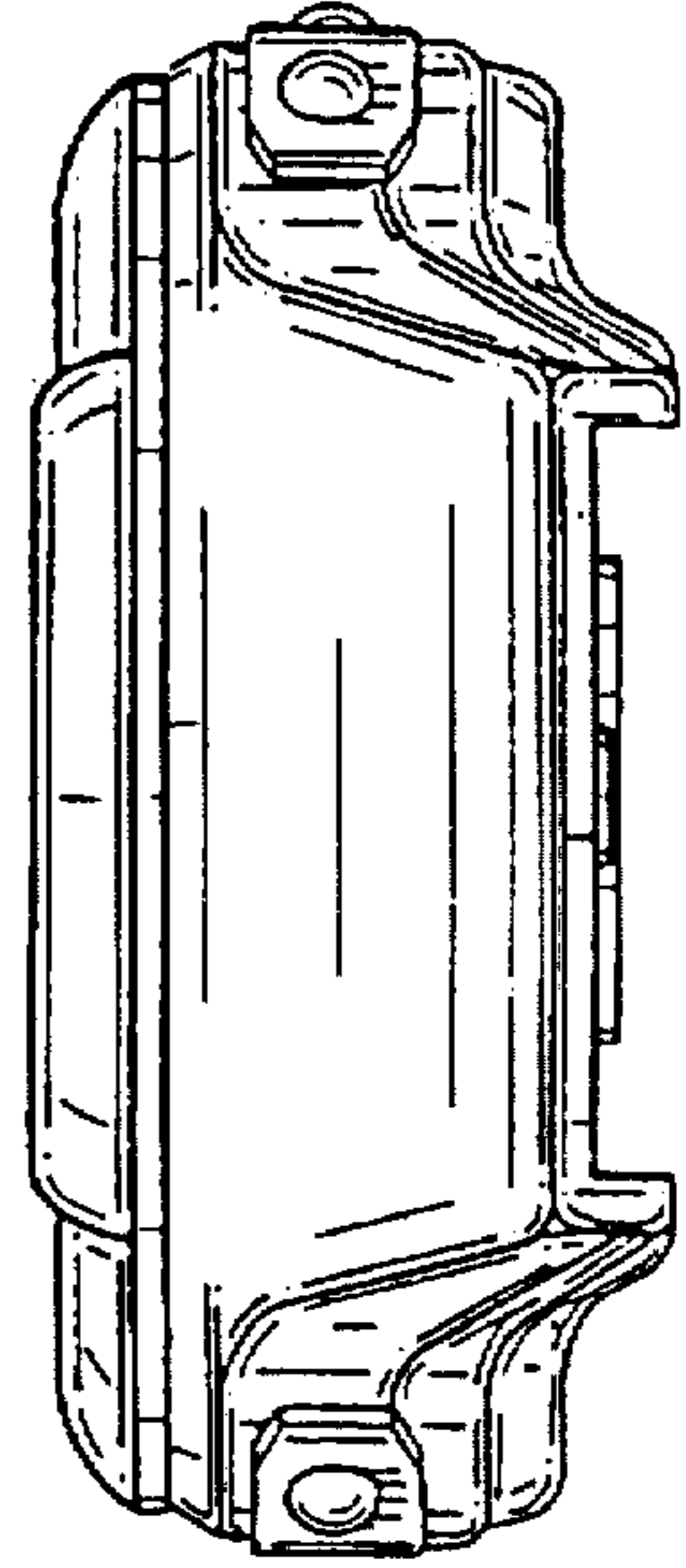


FIG. 5

