



US00D391495S

**United States Patent** [19]  
**Dinand**

[11] **Patent Number:** **Des. 391,495**  
[45] **Date of Patent:** **\*\*Mar. 3, 1998**

[54] **COMBINED CONTAINER AND CAP FOR  
PERFUMES AND COSMETIC PRODUCTS**

D. 263,683 4/1982 Mansau ..... D9/544 X  
D. 338,159 8/1993 Densky et al. .... D9/574

[75] **Inventor:** **Pierre Dinand, Levallois Perret, France**

[73] **Assignee:** **Euroitalia S.r.l., Monza, Italy**

[\*\*] **Term:** **14 Years**

[21] **Appl. No.:** **61,487**

[22] **Filed:** **Oct. 24, 1996**

[30] **Foreign Application Priority Data**

Jul. 30, 1996 [IT] Italy ..... MI9600442

[51] **LOC (6) Cl.** ..... **09-01**

[52] **U.S. Cl.** ..... **D9/573; D9/333; D9/451;  
D9/544**

[58] **Field of Search** ..... **D9/573, 572, 574,  
D9/544, 546, 333, 307, 300; 215/382, 400**

[56] **References Cited**

**U.S. PATENT DOCUMENTS**

D. 31,518 9/1899 Swindell ..... D9/544  
D. 67,716 6/1925 Nitardy et al. .... D9/544  
D. 97,725 12/1935 Botham ..... D9/573 X  
D. 213,041 12/1968 Stehl ..... D9/529

**OTHER PUBLICATIONS**

Sears Holiday Gifts Catalog, Dec. 1995, p. 9, "Exclamation"  
cologne bottle, Dec. 1995.

*Primary Examiner*—Lucy Lieberman  
*Attorney, Agent, or Firm*—Bucknam and Archer

[57] **CLAIM**

The ornamental design for a combined container and cap for  
perfumes and cosmetic products, as shown and described.

**DESCRIPTION**

FIG. 1 front elevation of a combined container and cap for  
perfumes and cosmetic products showing my new design.  
the rear elevation is the same except for the indicia on the top  
of the cap;

FIG. 2 is a left side elevation thereof, the right side elevation  
is the same except for the indicia on the top of the cap;

FIG. 3 is a bottom view of the combined container and cap  
for perfumes and cosmetic products of FIG. 1 showing the  
polygonal shape of the body of the container; and,

FIG. 4 is a top view of my combined container and cap for  
perfumes and cosmetic products.

**1 Claim, 1 Drawing Sheet**



Fig. 3

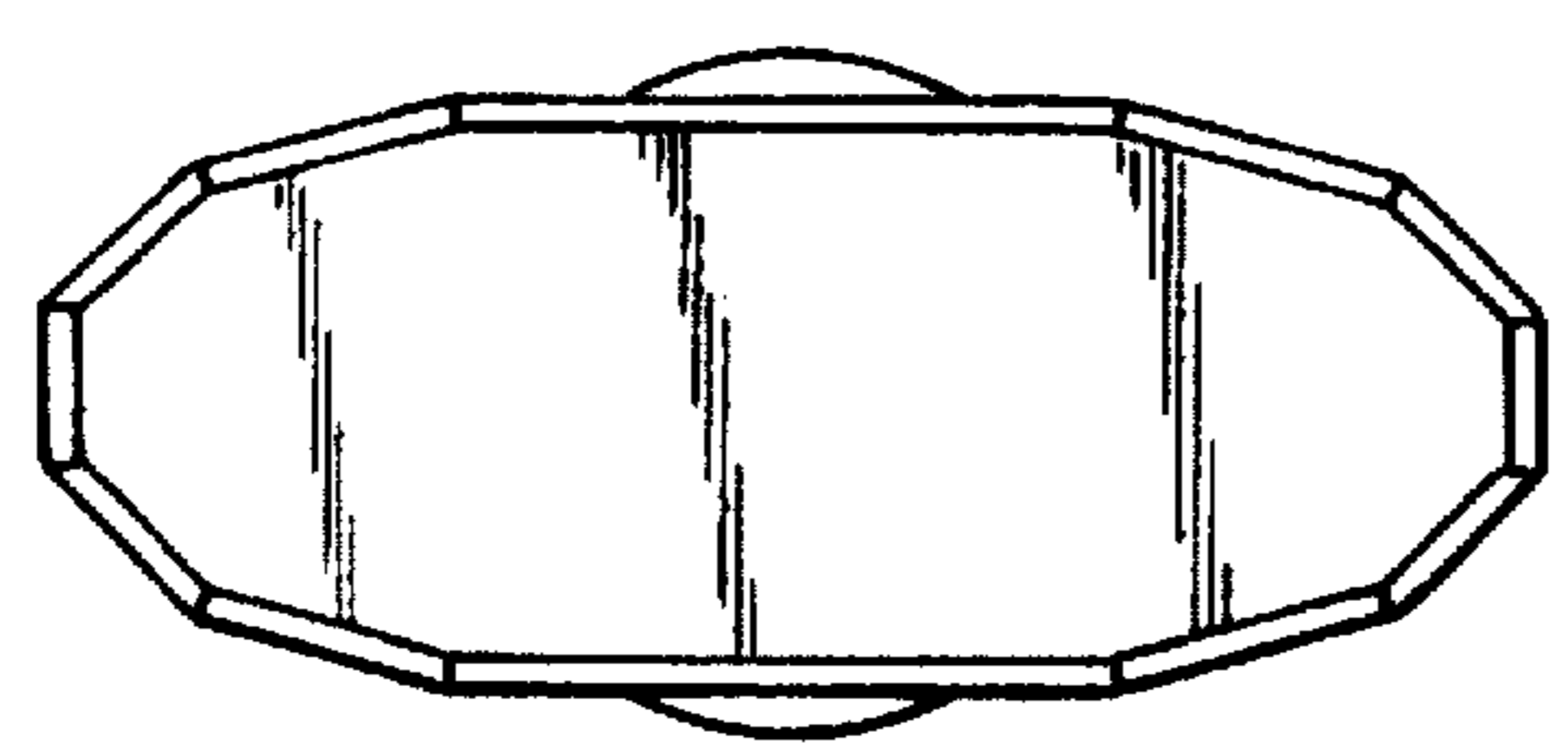


Fig. 2

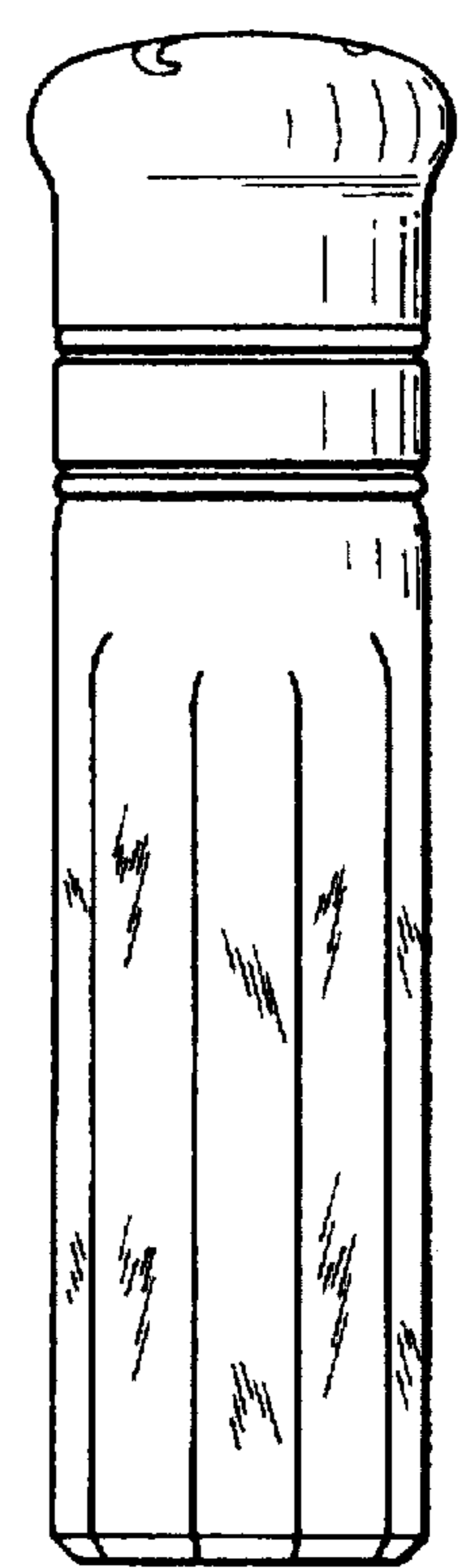


Fig. 1

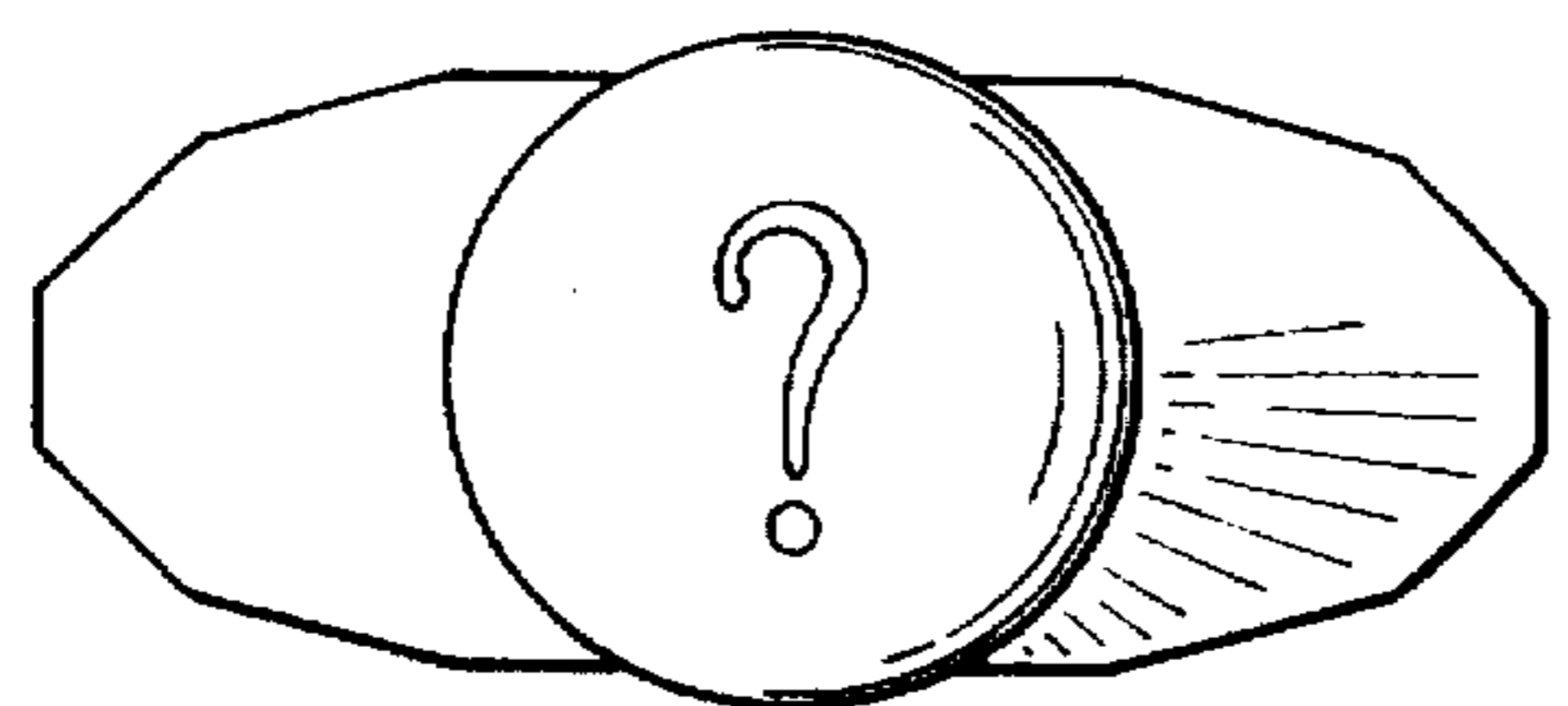


Fig. 4