

US00D391484S

United States Patent [19]
Santagiuliana

[11] **Patent Number:** **Des. 391,484**
[45] **Date of Patent:** ****Mar. 3, 1998**

- [54] **DISPENSER CAP**
- [75] **Inventor:** **Evans Santagiuliana, Vicenza, Italy**
- [73] **Assignee:** **TAPLAST SPA, Povolaro, Italy**
- [**] **Term:** **14 Years**
- [21] **Appl. No.:** **63,309**
- [22] **Filed:** **Dec. 5, 1996**
- [51] **LOC (6) Cl.** **09-07**
- [52] **U.S. Cl.** **D9/449**
- [58] **Field of Search** **D9/435, 446, 447,**
D9/449, 454; 215/200, 235, 237, 250; 220/200,
334-338; 222/480, 481

[56] **References Cited**
U.S. PATENT DOCUMENTS

D. 160,491	10/1950	Goldman	D9/443
D. 320,746	10/1991	Bolen, Jr. et al.	D9/434 X
D. 362,186	9/1995	Thanisch	D9/446
4,793,501	12/1988	Beck	215/235
4,832,219	5/1989	Nycx	215/235
5,007,555	4/1991	Beck	220/339
5,354,539	10/1994	Hovatter	215/237 X

Primary Examiner—James Gandy
Assistant Examiner—Cathron B. Metta

Attorney, Agent, or Firm—Watson Cole Stevens Davis, P.L.L.C.

[57] **CLAIM**

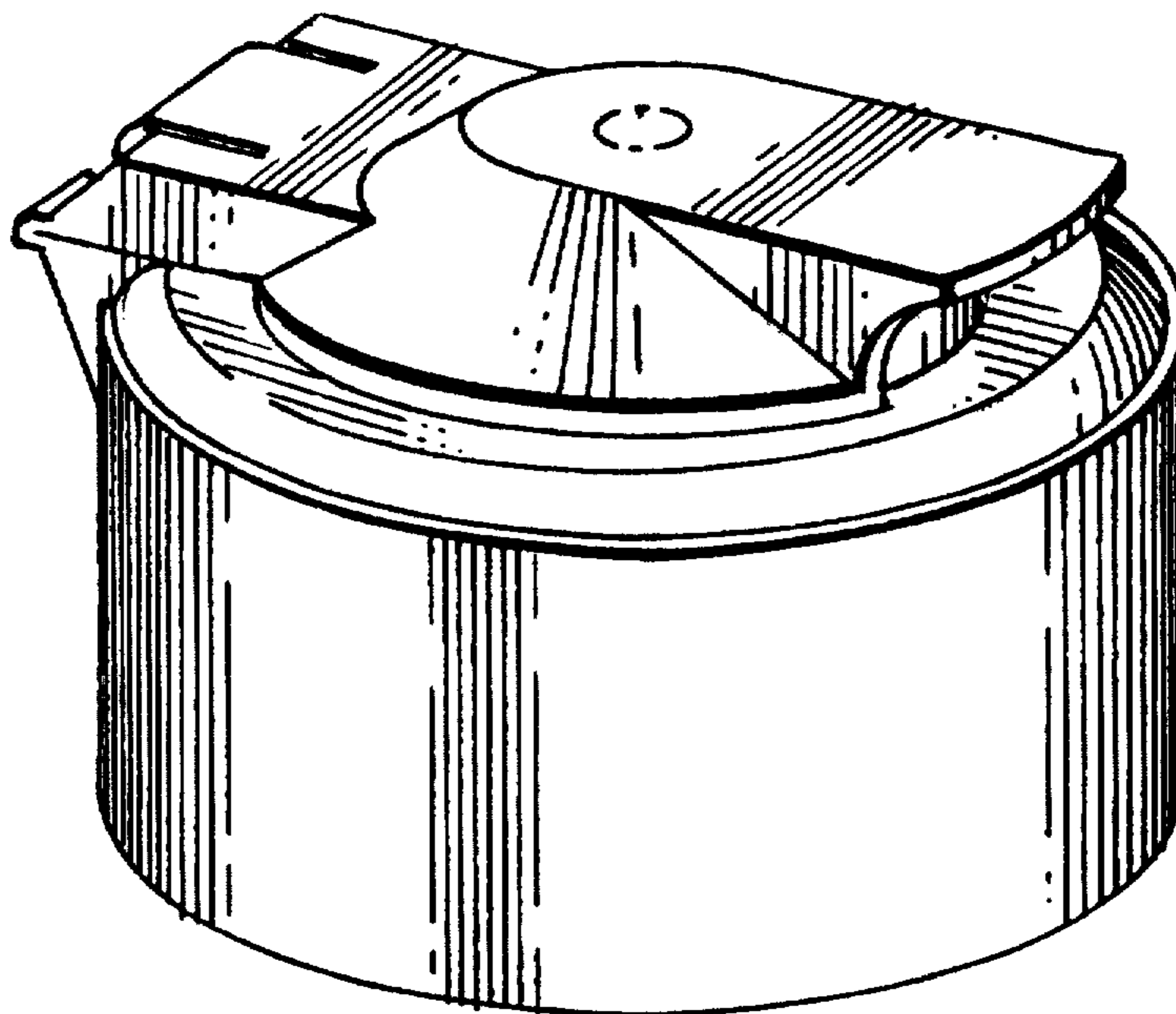
The ornamental design for a dispenser cap, as shown and described.

DESCRIPTION

FIG. 1 is a perspective view of the dispenser cap of the invention with the top closed;
 FIG. 2 is a perspective view of the dispenser cap of the invention with the cap open;
 FIG. 3 is a side elevation of the dispenser cap according to the invention with the cap closed;
 FIG. 4 is a front elevation of the dispenser cap according to the invention with the cap closed;
 FIG. 5 is a rear elevation of the dispenser cap according to the invention with the top closed;
 FIG. 6 is a top plan view of the dispenser cap of the invention with the top closed;
 FIG. 7 is a top plan view of the dispenser cap of the invention with the cap open; and
 FIG. 8 is a bottom view of the dispenser cap according to the invention.

The broken lines shown in FIGS. 2, 7 and 8 are representative of interior elements of the closure, and form no part of the claimed design.

1 Claim, 2 Drawing Sheets



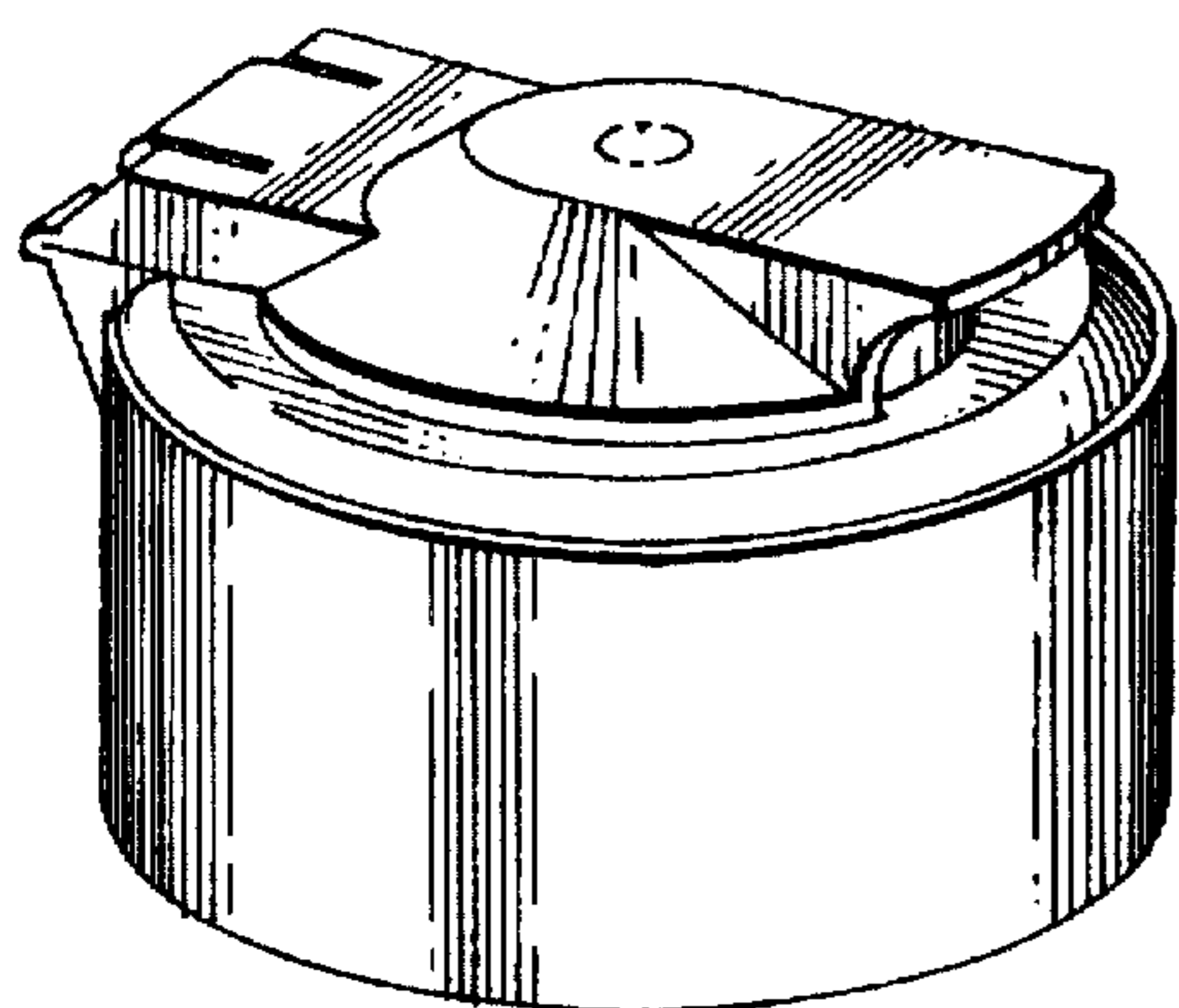


FIG. 1

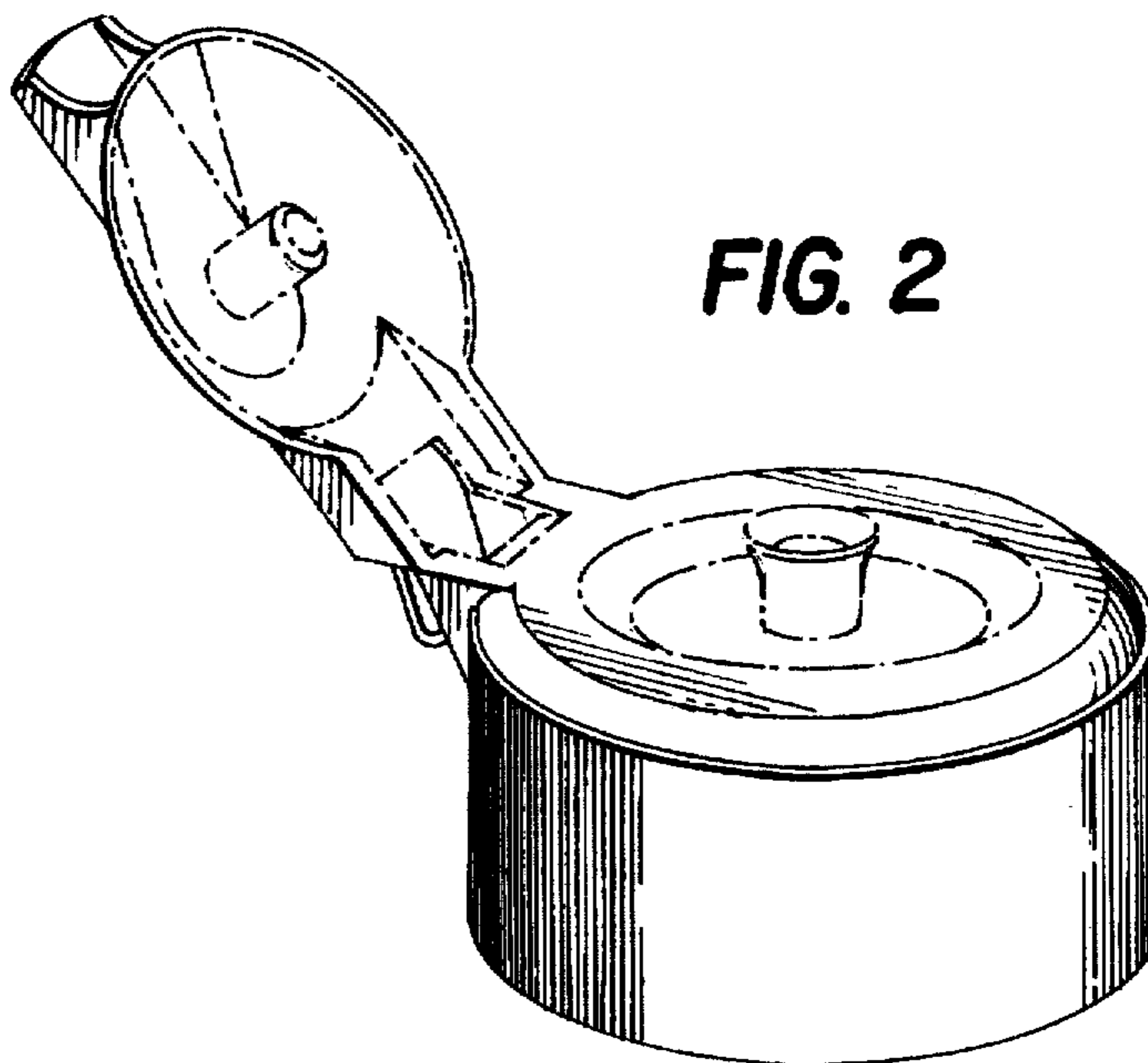


FIG. 2

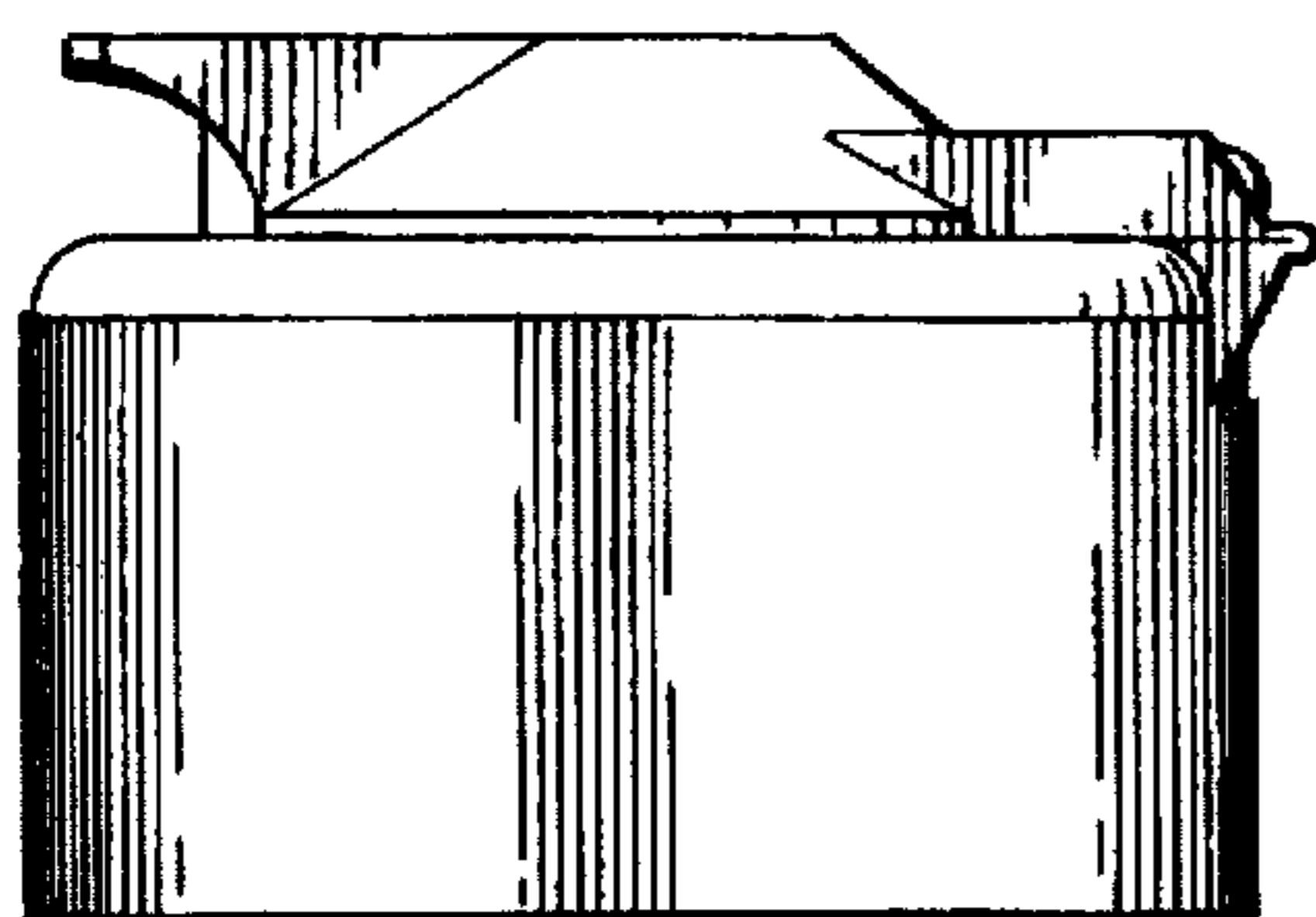


FIG. 3

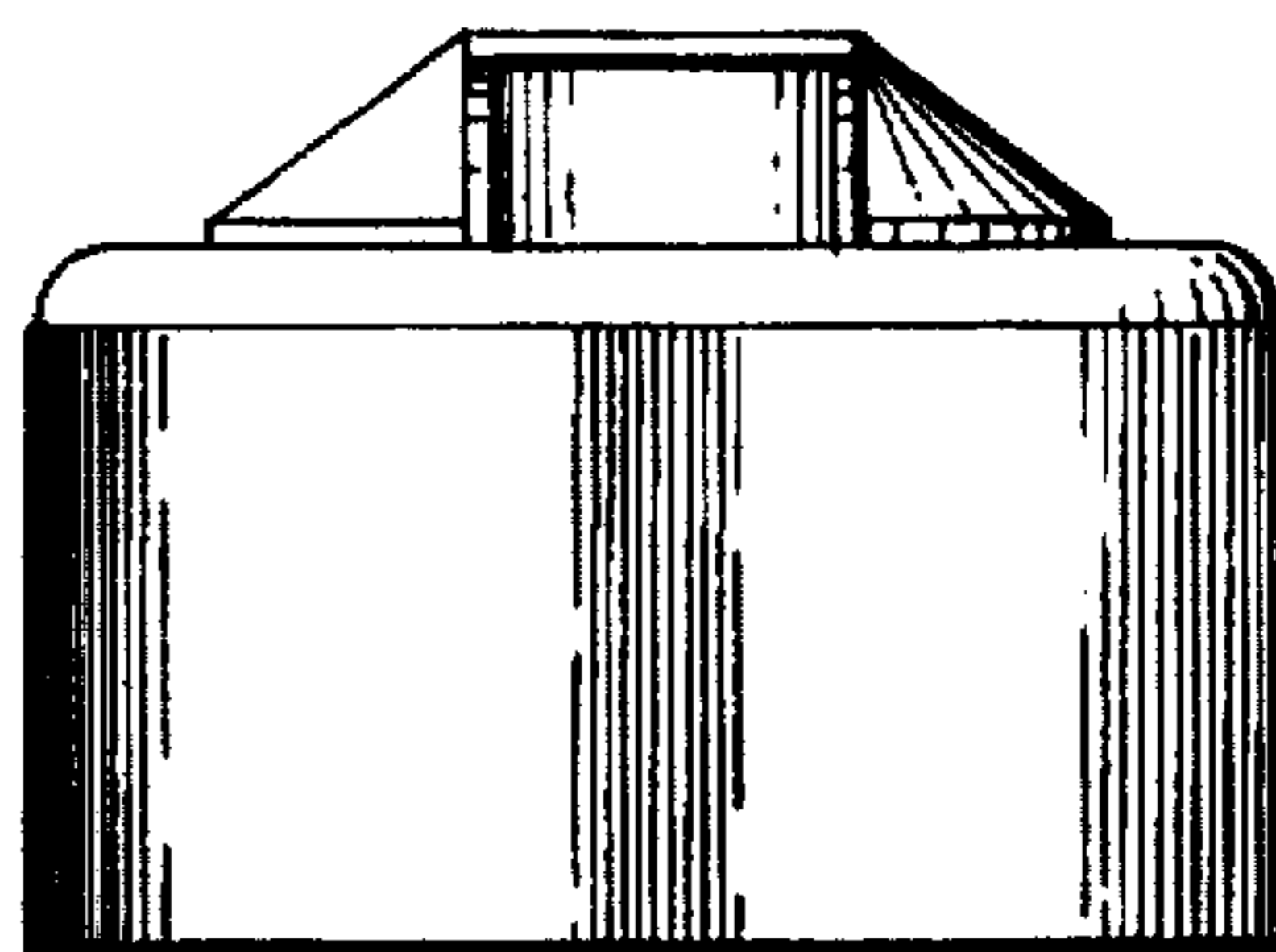


FIG. 4

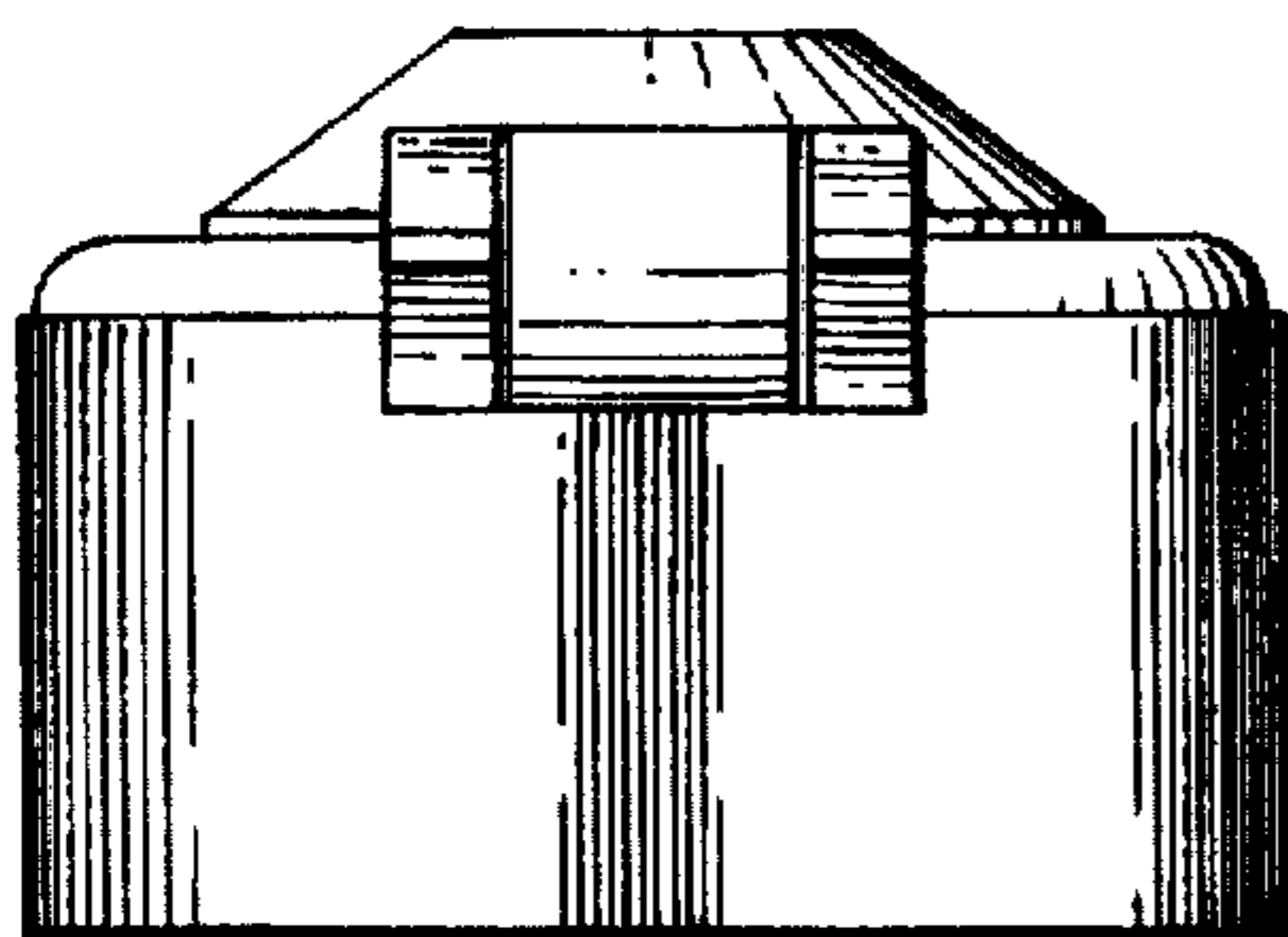


FIG. 5

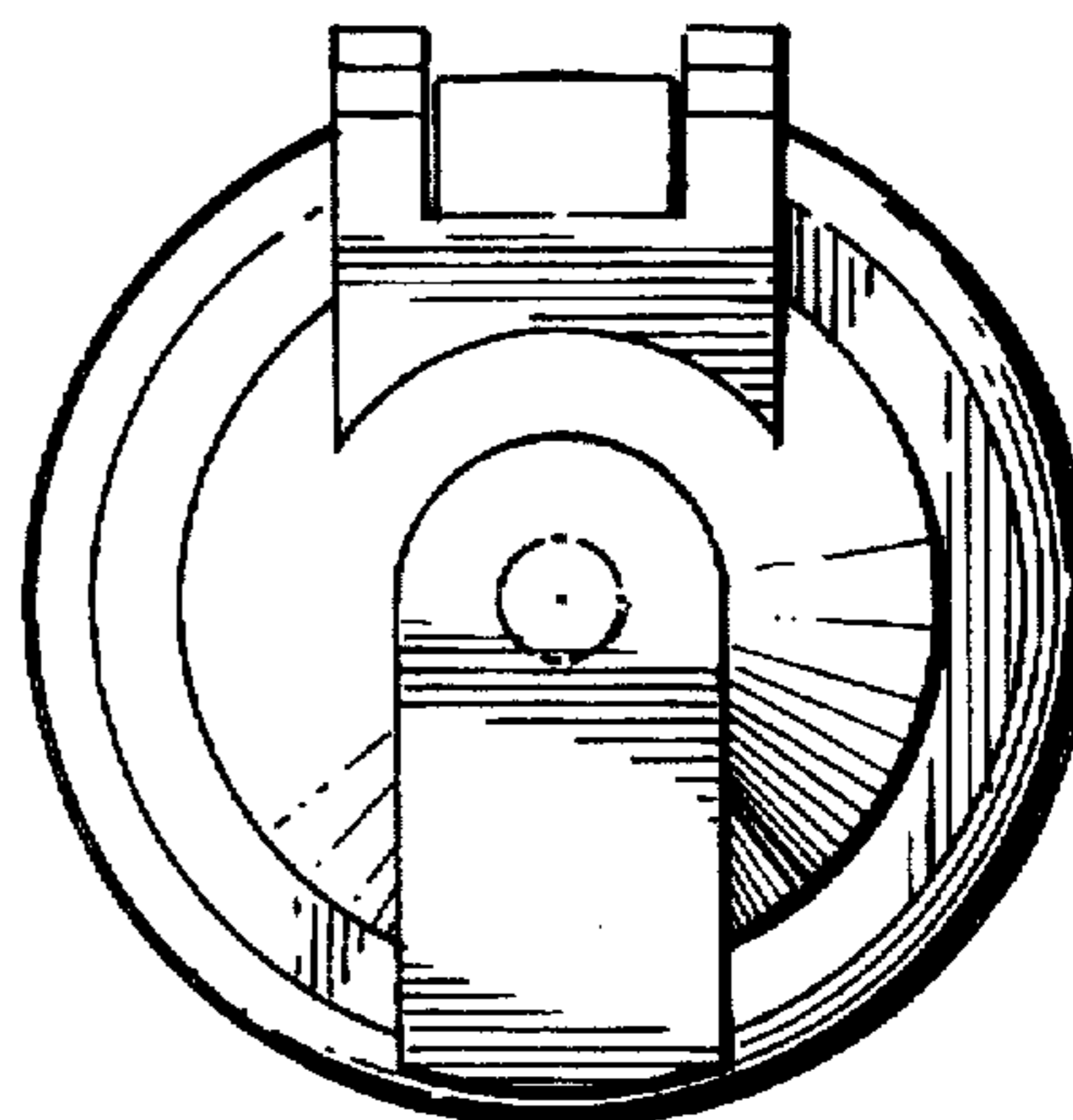


FIG. 6

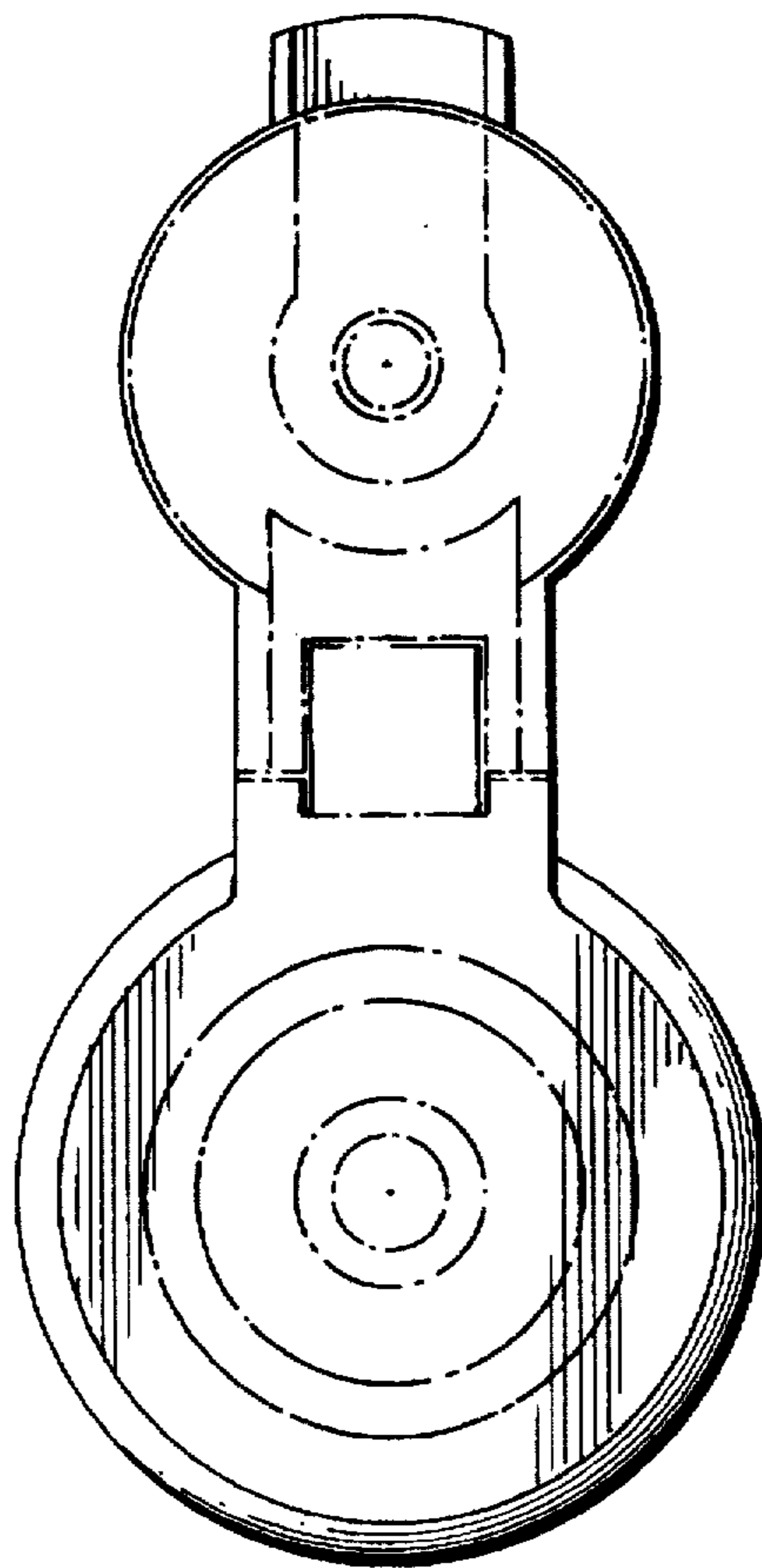


FIG. 7

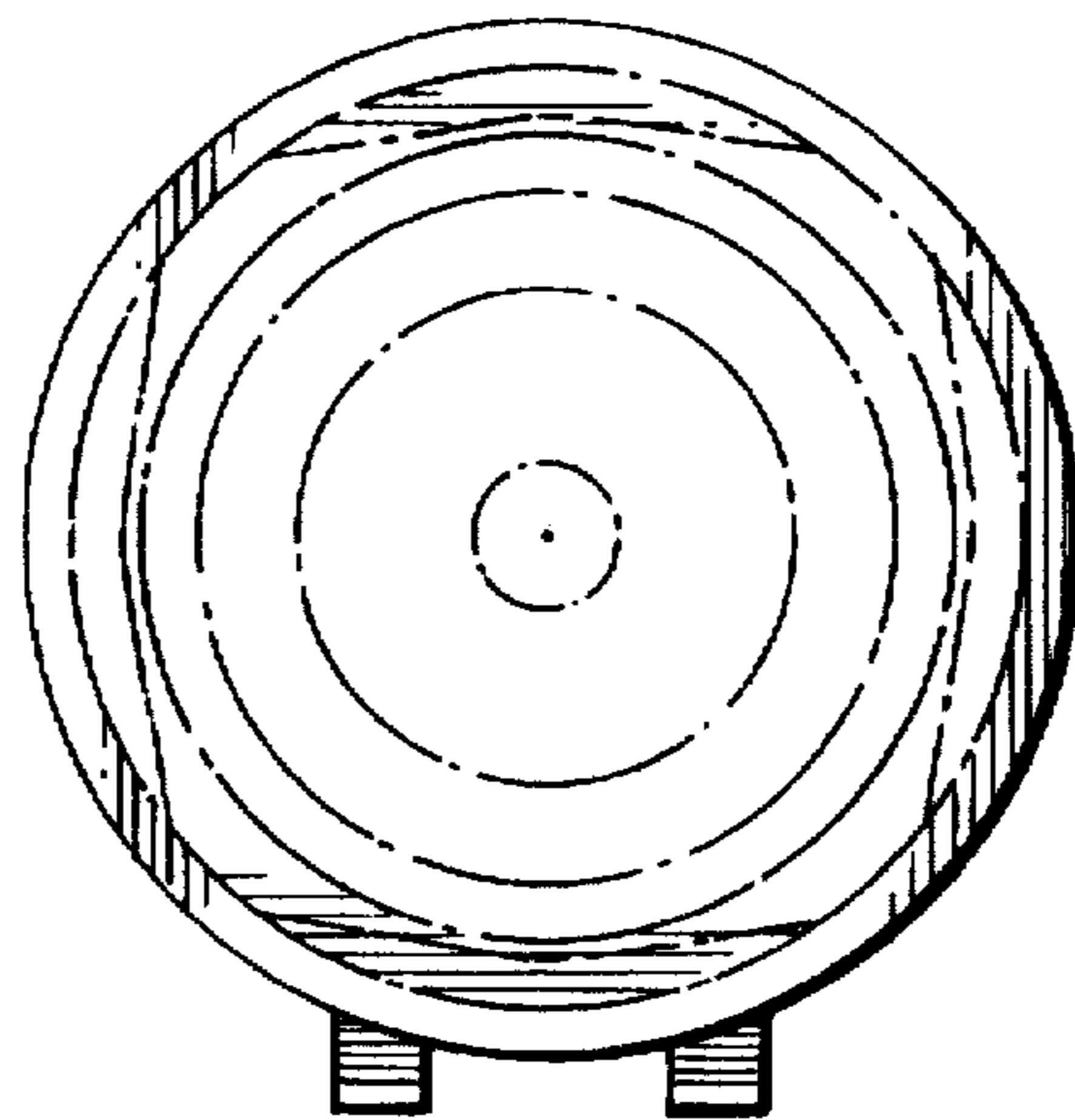


FIG. 8