



US00D391482S

United States Patent [19]

[11] Patent Number: **Des. 391,482**

Wiemann et al.

[45] Date of Patent: ****Mar. 3, 1998**

[54] CONTAINER BOTTOM

[75] Inventors: **David J. Wiemann, O'Fallon; John W. Cooley, Hazelwood, both of Mo.**

[73] Assignee: **Anheuser-Busch Incorporated, St. Louis, Mo.**

[**] Term: **14 Years**

[21] Appl. No.: **58,475**

[22] Filed: **Aug. 15, 1996**

[51] LOC (6) Cl. **09-07**

[52] U.S. Cl. **D9/434**

[58] Field of Search **D9/434, 520; 215/374, 215/375, 377; 220/608**

[56] References Cited

U.S. PATENT DOCUMENTS

D. 262,517	1/1982	Hayes .	
D. 267,393	12/1982	Gruodis et al. .	
D. 269,593	7/1983	Gruodis	D9/520 X
D. 270,332	8/1983	Gaunt .	
D. 271,664	12/1983	Cowan, Jr. et al. .	
D. 272,030	1/1984	Sleith .	
D. 272,418	1/1984	Gruodis	D9/520 X
D. 296,423	6/1988	Rayner .	
D. 314,704	2/1991	Lillelund et al. .	
D. 330,330	10/1992	Behm et al.	D9/434
D. 358,547	5/1995	Darr	D9/520
4,175,670	11/1979	Reynolds et al. .	
4,201,306	5/1980	Dubois et al. .	
4,266,685	5/1981	Lee, Jr. .	
4,313,545	2/1982	Maeda .	
4,318,489	3/1982	Snyder et al. .	
4,426,013	1/1984	Cherchian et al. .	
5,133,468	7/1992	Brunson et al.	215/375
5,205,434	4/1993	Brunson et al.	220/608
5,320,230	6/1994	Hsiung	215/375
5,421,480	6/1995	Cudzik .	
5,427,258	6/1995	Krishnakumar	220/608 X
5,477,977	12/1995	Cudzik .	

OTHER PUBLICATIONS

"The Aluminum Beverage Can," by William F. Hosford and John L. Duncan; *Scientific American*, Sep. 1994; pp. 48-53.

Primary Examiner—James Gandy
Assistant Examiner—Cathron B. Matta
Attorney, Agent, or Firm—Sidley & Austin

[57] CLAIM

The ornamental design for a container bottom, as shown and described.

DESCRIPTION

FIG. 1 is a perspective view of a first embodiment of the container bottom;
 FIG. 2 is a bottom plan view of the container bottom of FIG. 1;
 FIG. 3 is side elevational view of the container bottom of FIG. 1, all other side elevational views being identical thereto;
 FIG. 4 is a sectional view of the container bottom of FIG. 1, taken along line 4—4 of FIG. 2;
 FIG. 5 is a sectional view of the container bottom of FIG. 1, taken along line 5—5 of FIG. 2;
 FIG. 6 is a perspective view of a second embodiment of the container bottom;
 FIG. 7 is a bottom plan view of the container bottom of FIG. 6;
 FIG. 8 is side elevational view of the container bottom of FIG. 6, all other side elevational views being identical thereto;
 FIG. 9 is a sectional view of the container bottom of FIG. 6, taken along line 9—9 of FIG. 7; and,
 FIG. 10 is a sectional view of the container bottom of FIG. 6, taken along line 10—10 of FIG. 7.
 The broken line showing of the remainder of the container in FIGS. 1 and 6, and the interior surface of the container in FIGS. 4, 5, 9 and 10 are for illustrative purposes only and form no part of the claimed design.

1 Claim, 4 Drawing Sheets

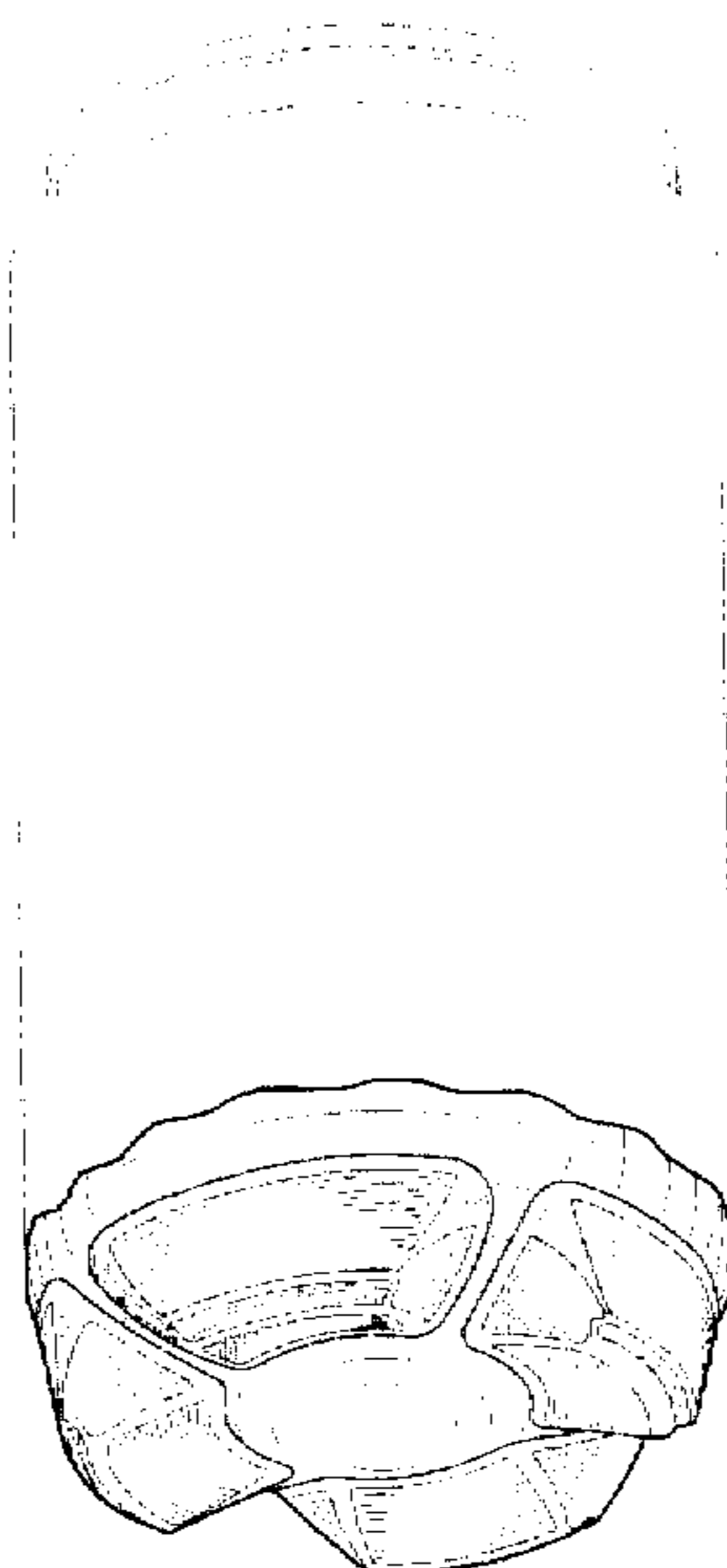
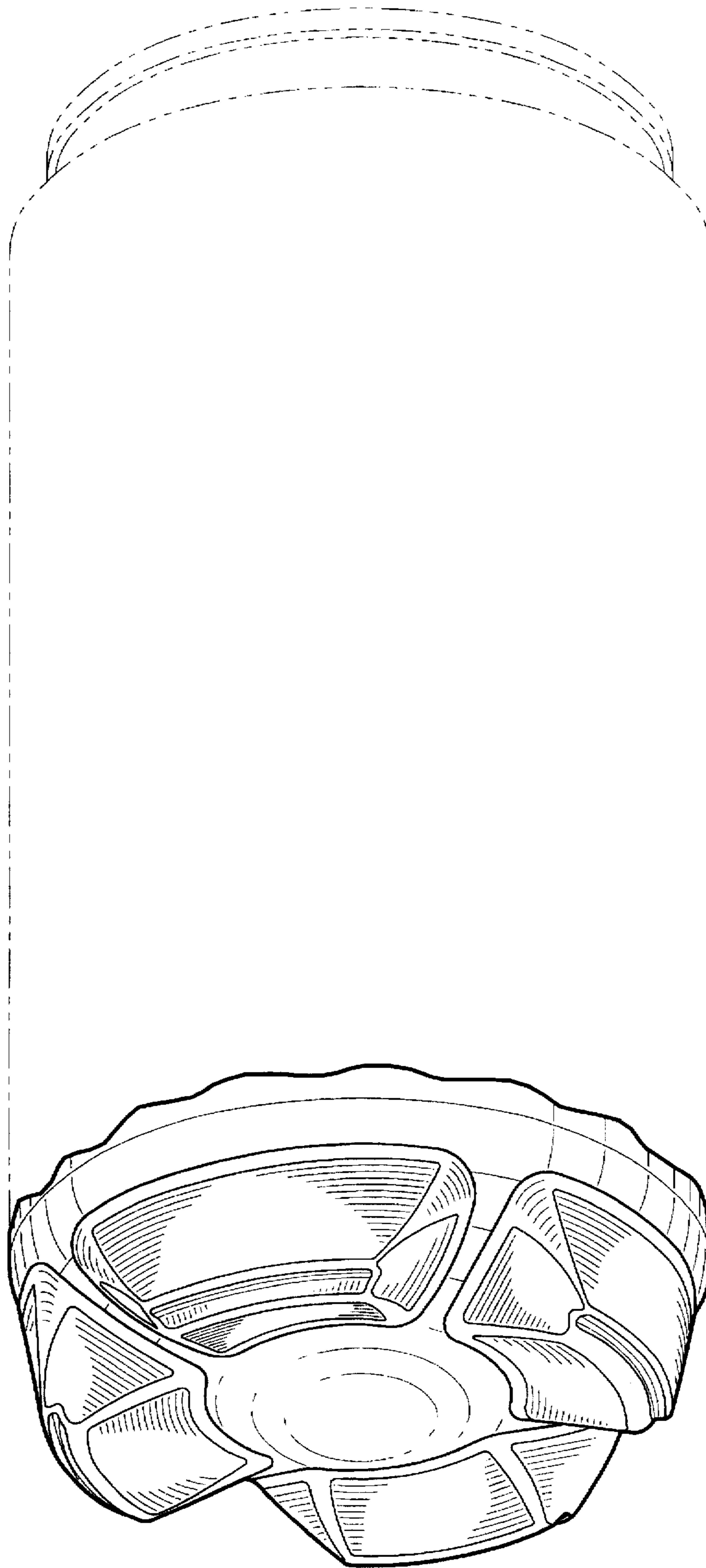


FIG. 1



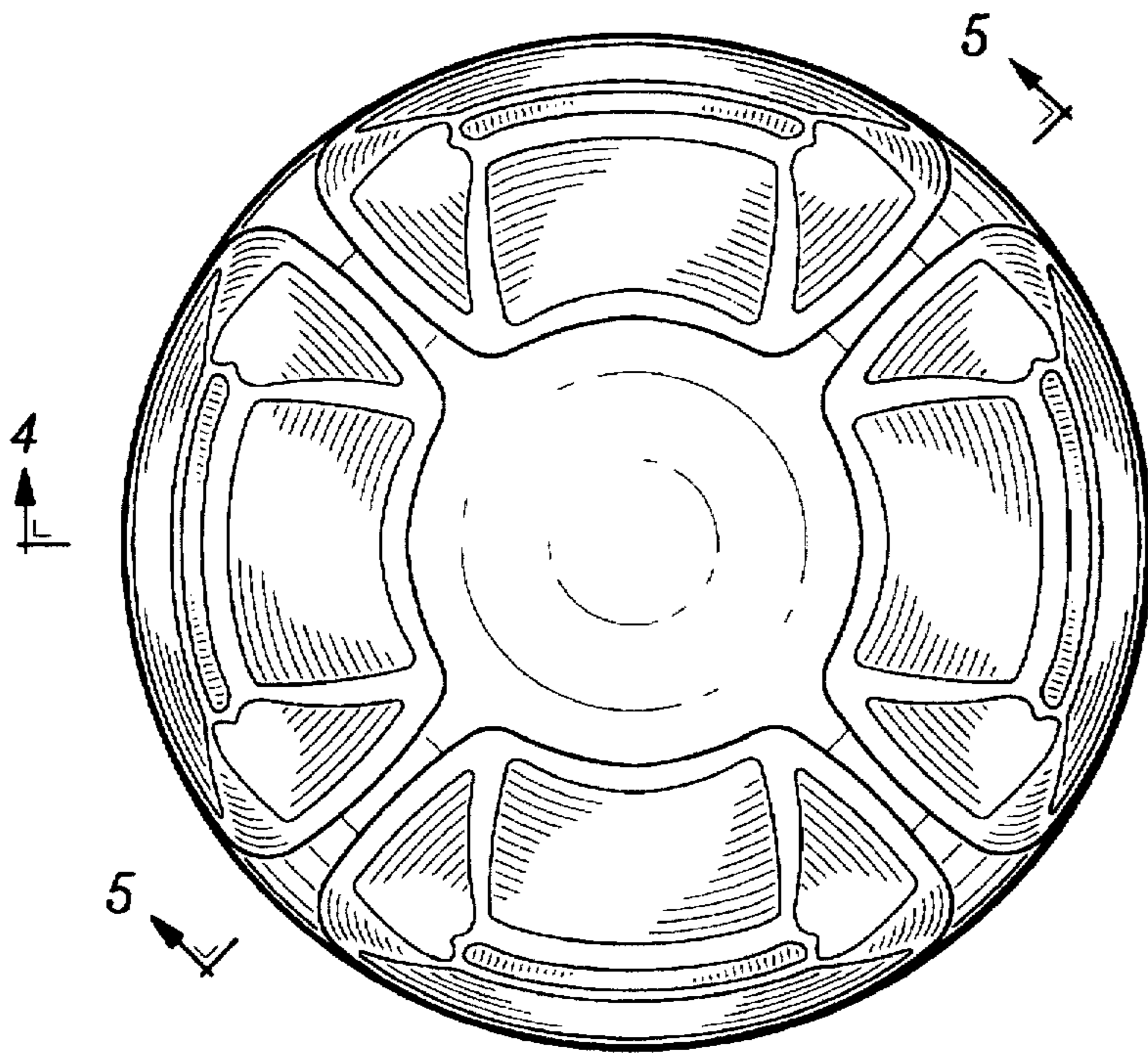


FIG. 2

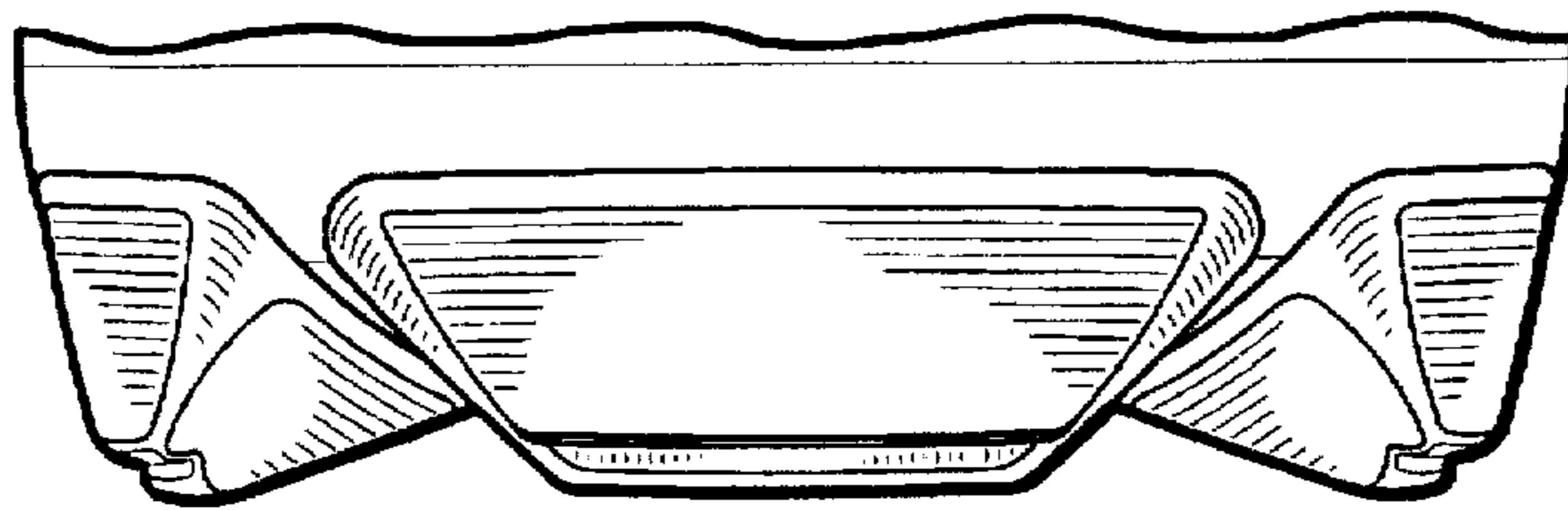


FIG. 3

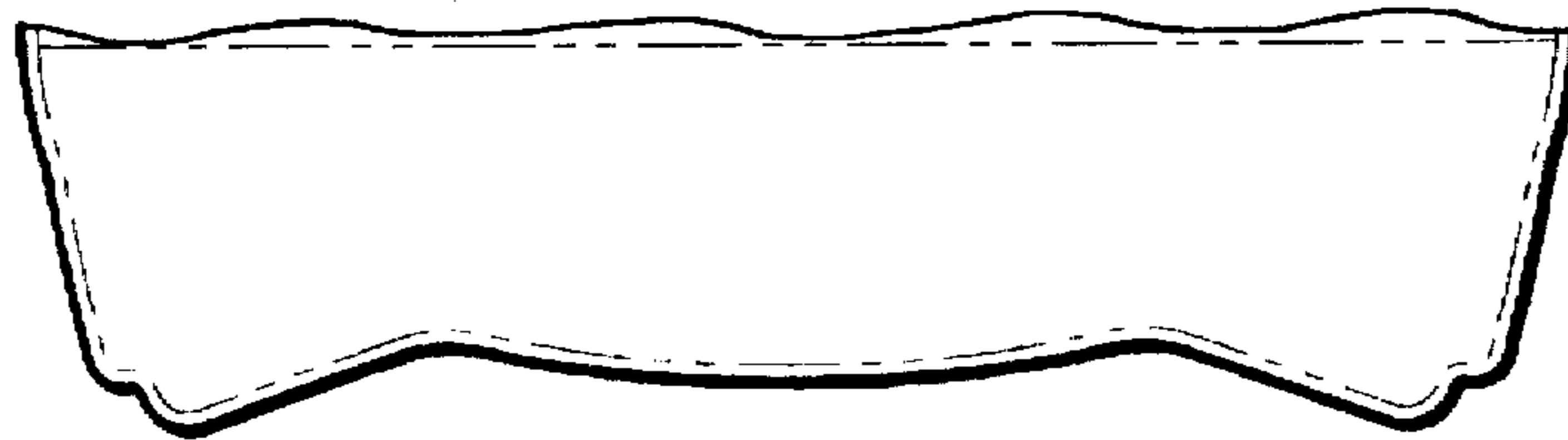


FIG. 4

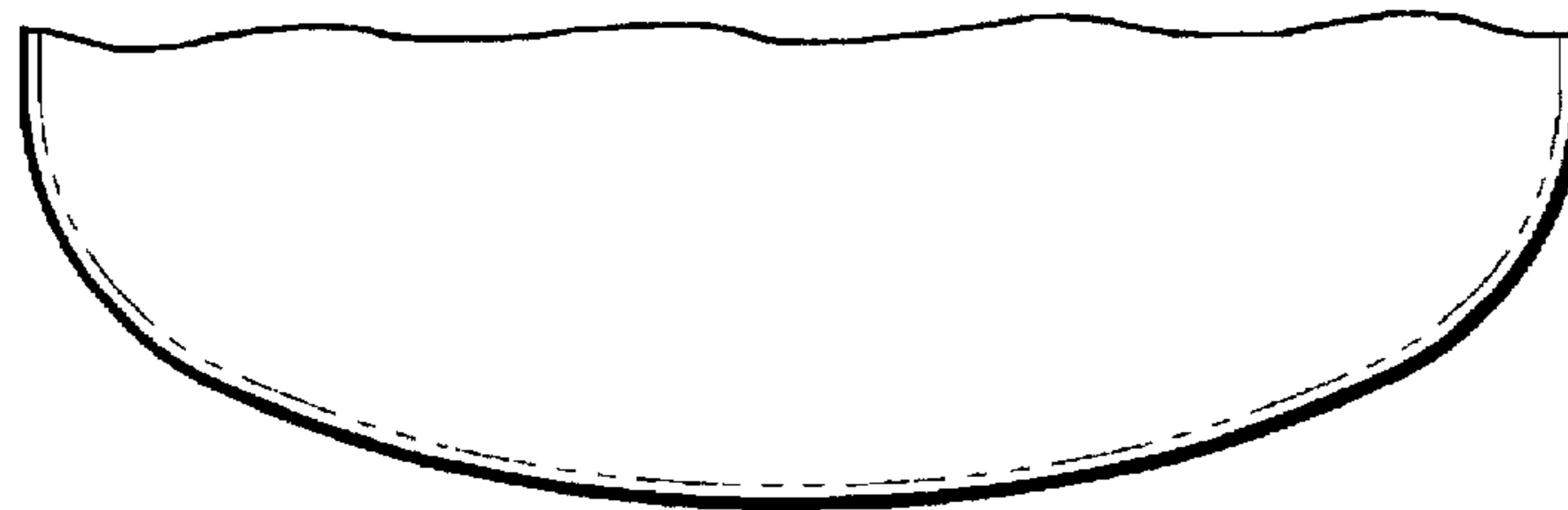
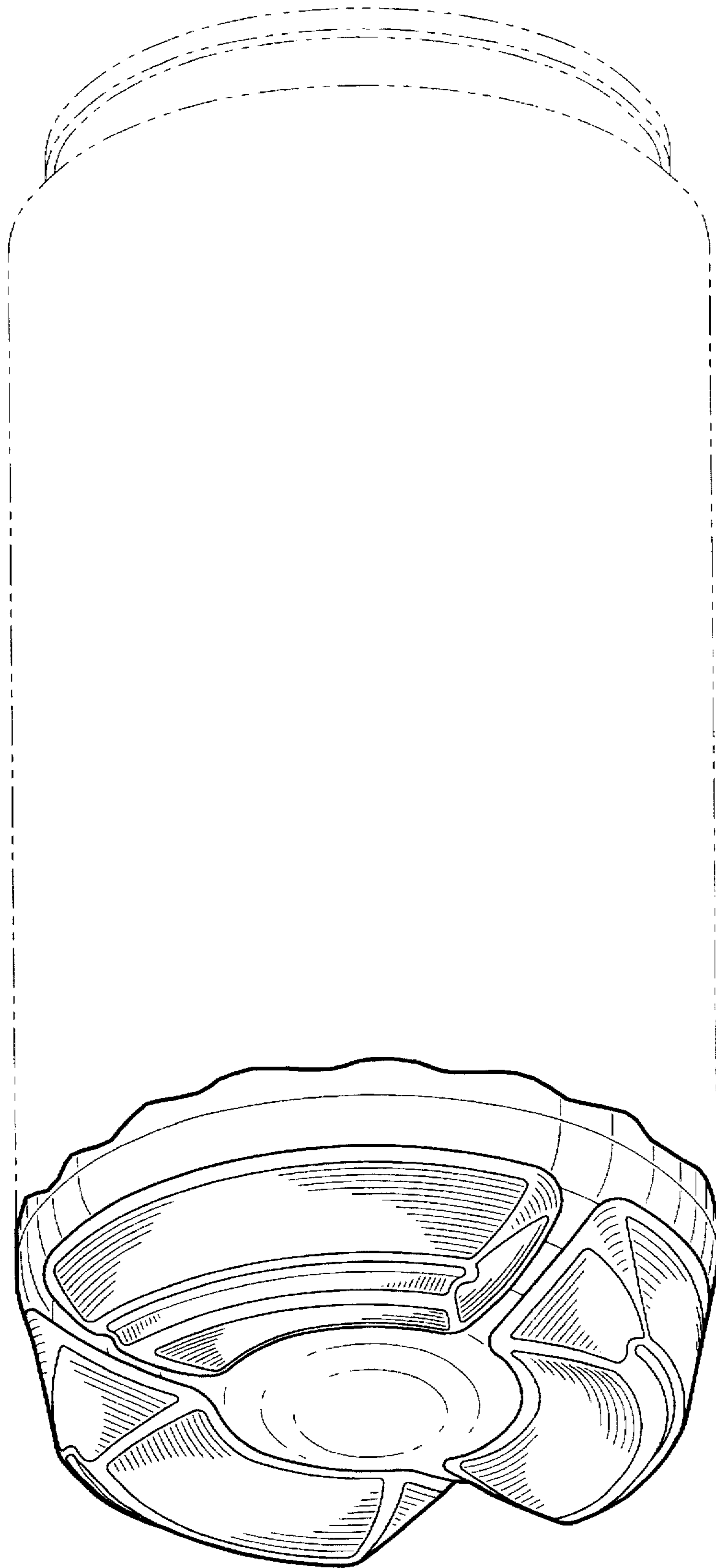


FIG. 5

FIG. 6



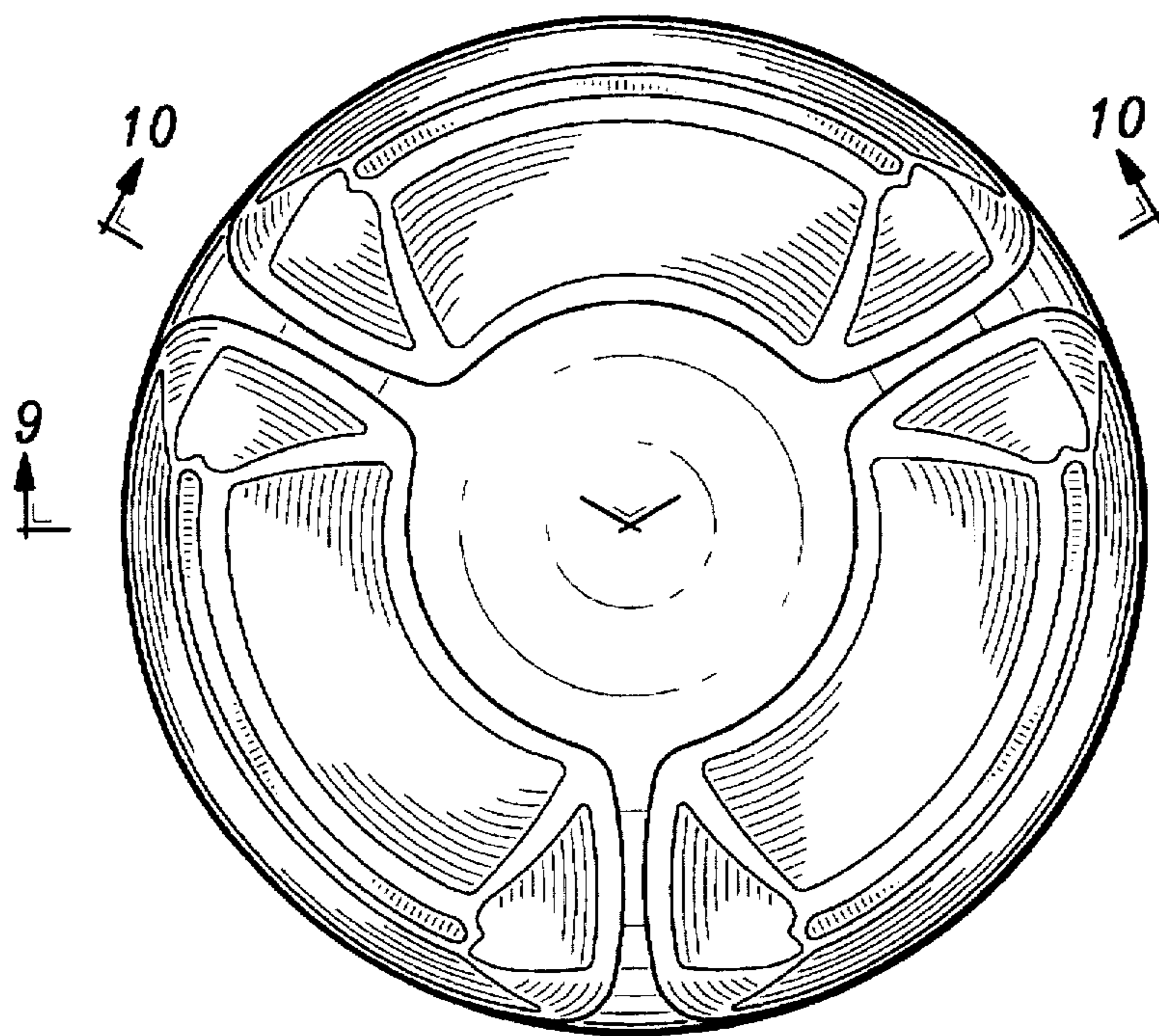


FIG. 7

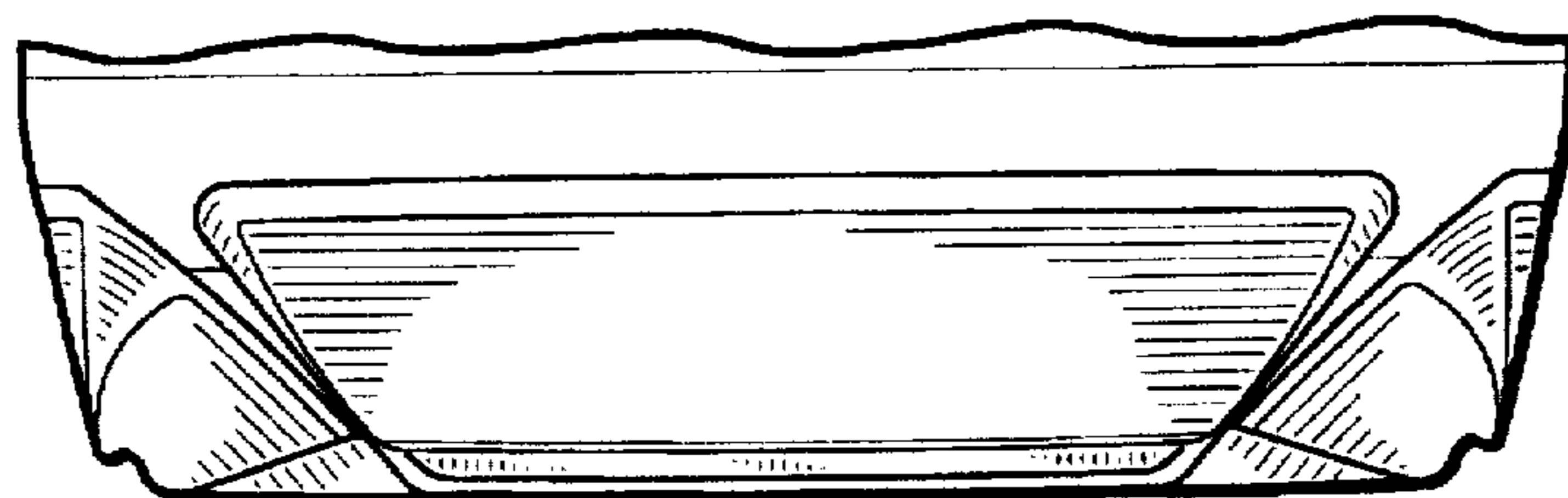


FIG. 8

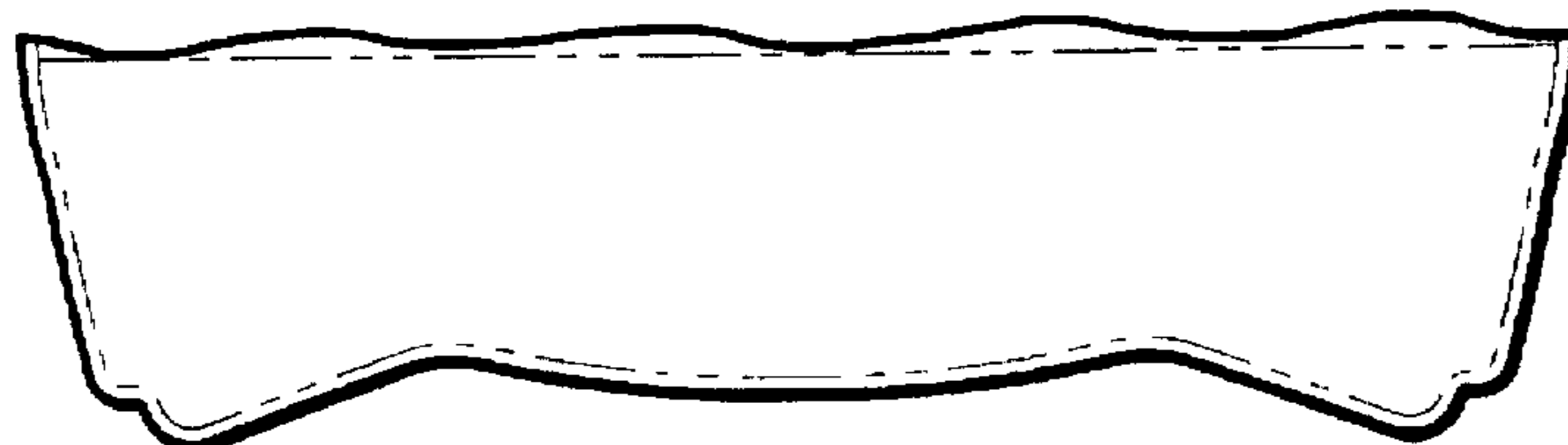


FIG. 9

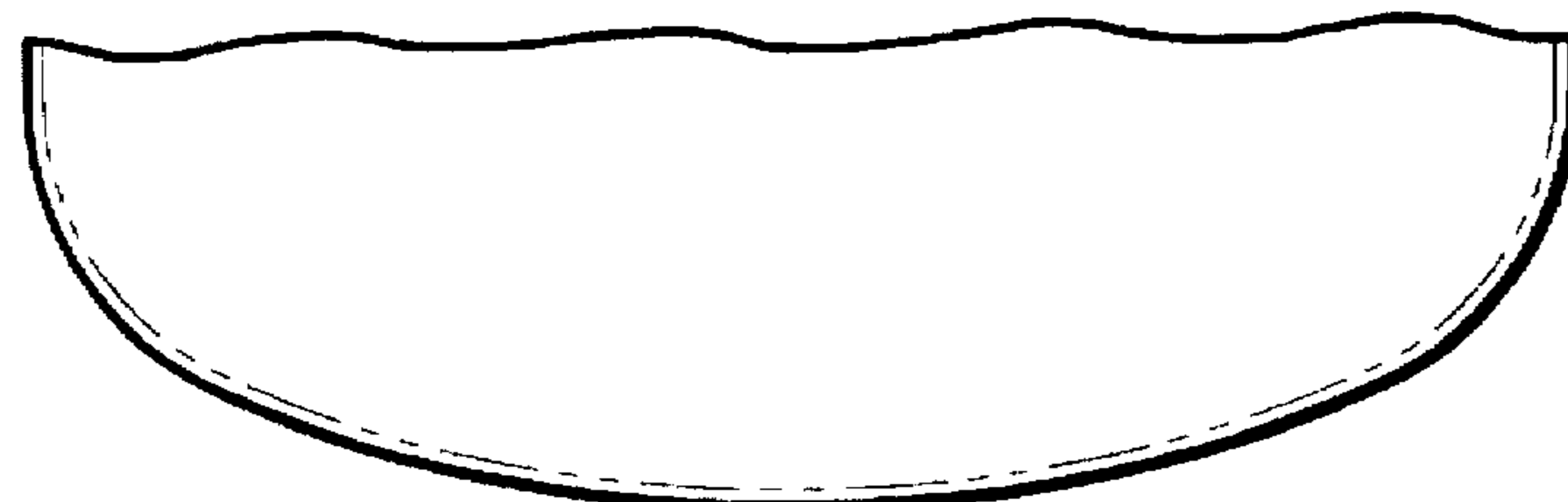


FIG. 10