



US00D391472S

United States Patent [19]

Smiley et al.

[11] Patent Number: Des. 391,472

[45] Date of Patent: **Mar. 3, 1998

[54] WINDOW TREATMENT ACCESSORY

[75] Inventors: Charles F. Smiley, Waunakee; Cindy R. Jaggi, Verona, both of Wis.

[73] Assignee: Springs Window Fashions Division, Inc., Middleton, Wis.

[**] Term: 14 Years

[21] Appl. No.: 67,614

[22] Filed: Feb. 28, 1997

[51] LOC (6) Cl. 08-05

[52] U.S. Cl. D8/363; D8/380

[58] Field of Search D8/380-381, 368-369, D8/354, 363; 211/87, 105.1, 123; 248/267; D25/136

[56] References Cited

U.S. PATENT DOCUMENTS

D. 342,437 12/1993 Prezner D8/380

OTHER PUBLICATIONS

Sweets Catalog-Fypon brochure, p. 84, dentil block item No. 801 circled at left of page, Jan. 1993.

Primary Examiner—Holly Baynham

Attorney, Agent, or Firm—Lerner, David, Littenberg, Krumholz & Mentlik

[57] CLAIM

The ornamental design for a "window treatment accessory", as shown and described.

DESCRIPTION

FIG. 1 is a perspective view of the claimed window treatment accessory;

FIG. 2 is a top plan view thereof;

FIG. 3 is a bottom plan view thereof;

FIG. 4 is a front view thereof;

FIG. 5 is a rear view thereof; and,

FIG. 6 is a right side view thereof the left side view being a mirror image of the right side view.

The broken line showing of a finial, partial curtain rod on FIG. 1 and mounting holes on FIG. 5 is for illustrative purposes only and forms no part of the claimed design.

1 Claim, 3 Drawing Sheets

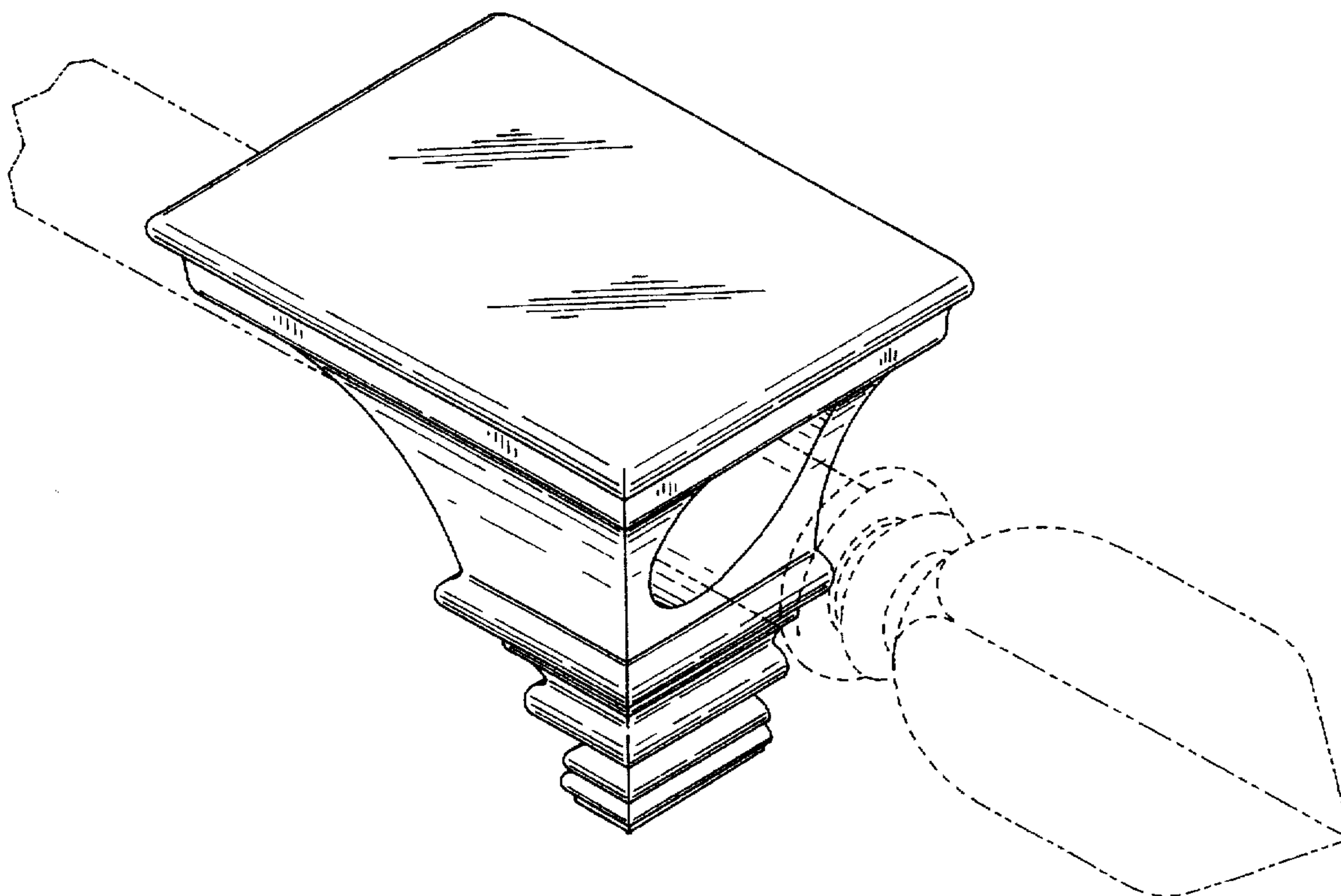


FIG. 1

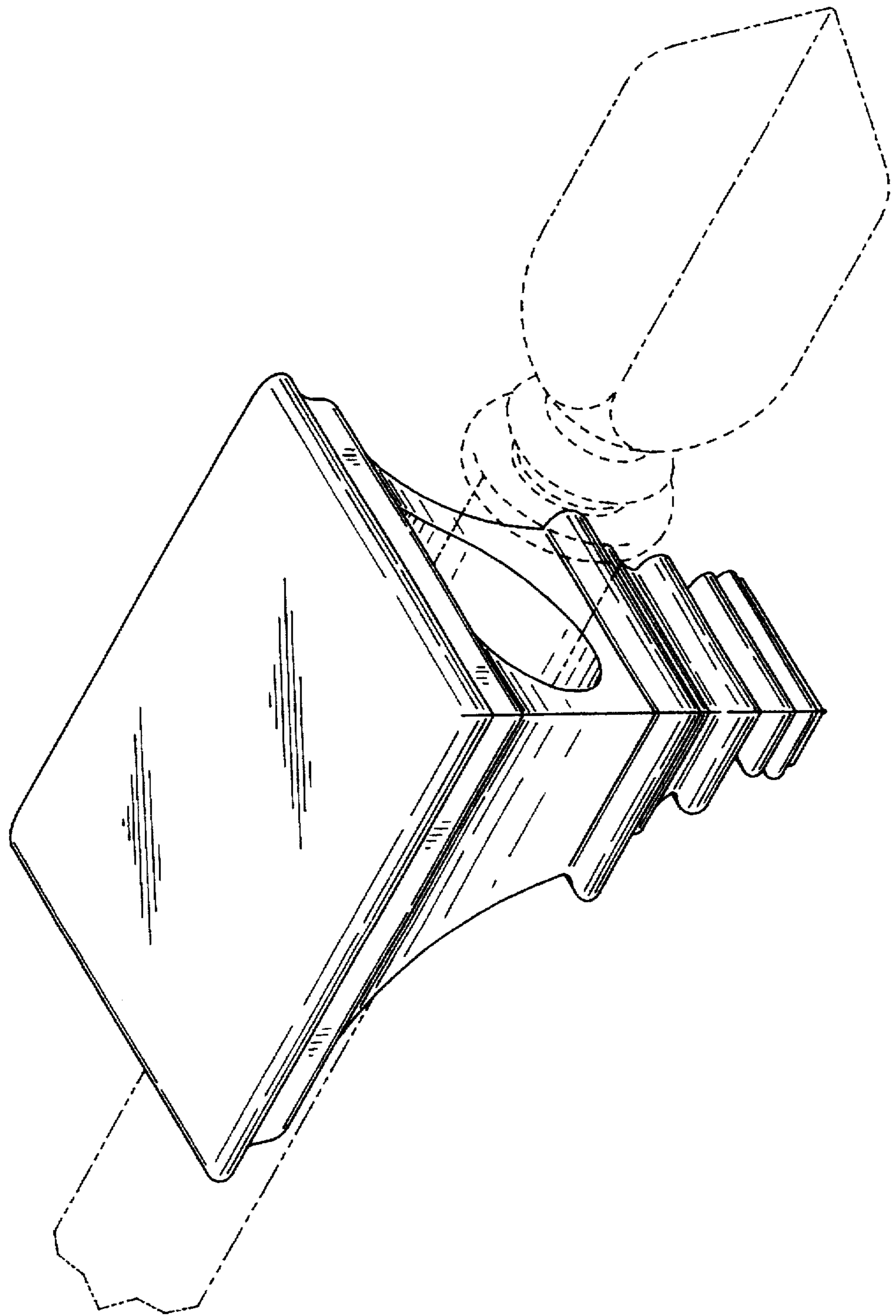


FIG. 2

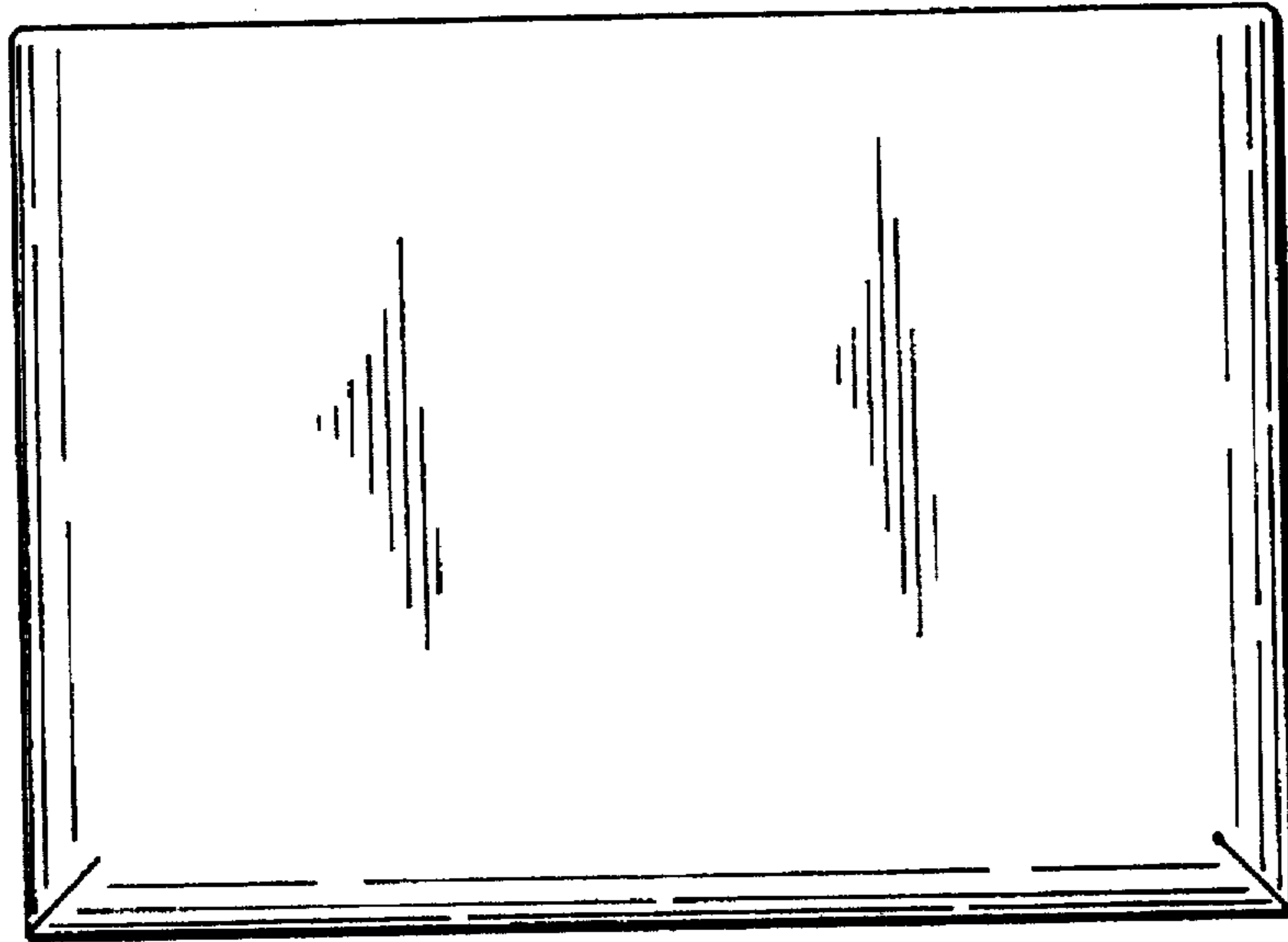


FIG. 3

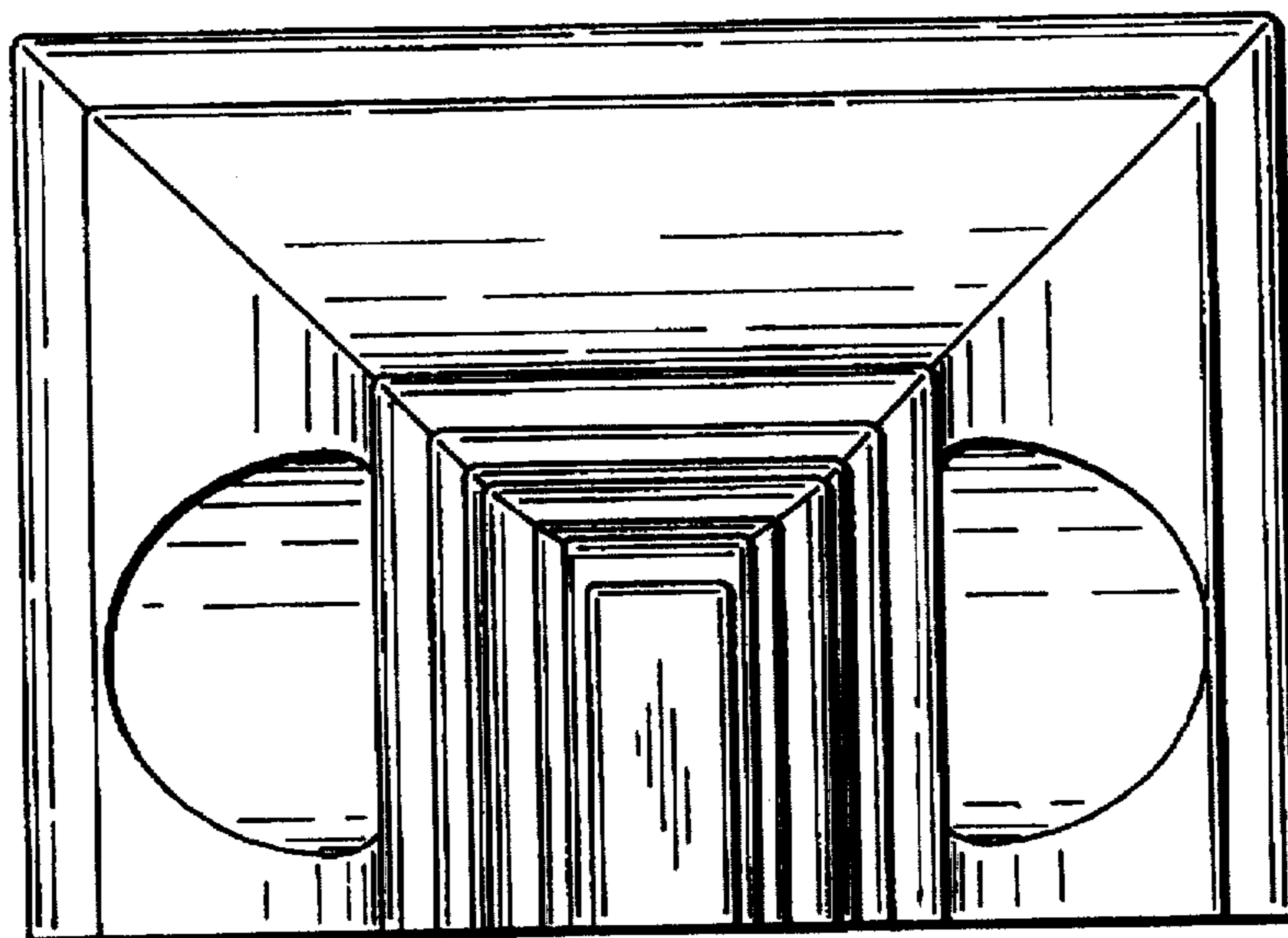


FIG. 6

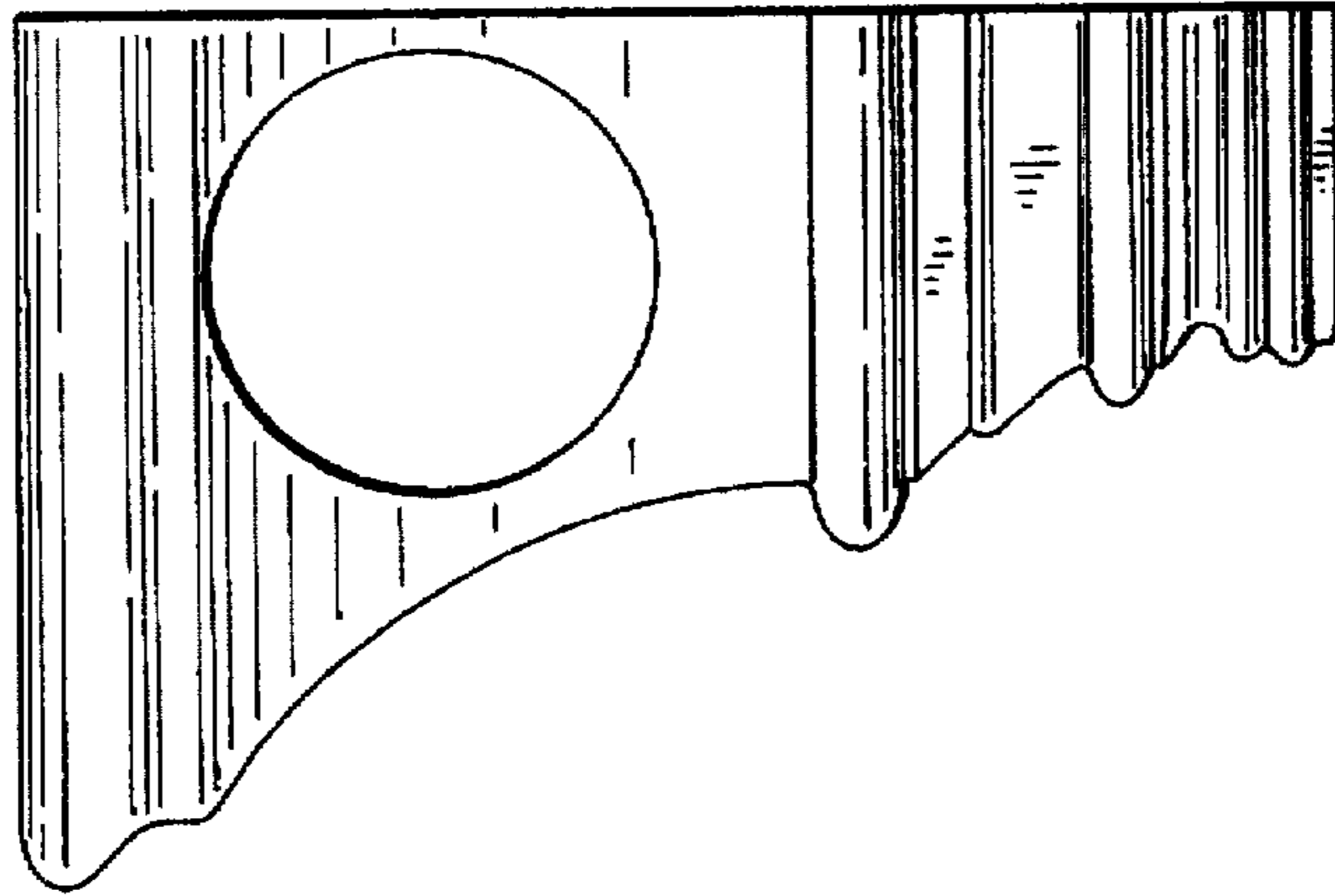


FIG. 5

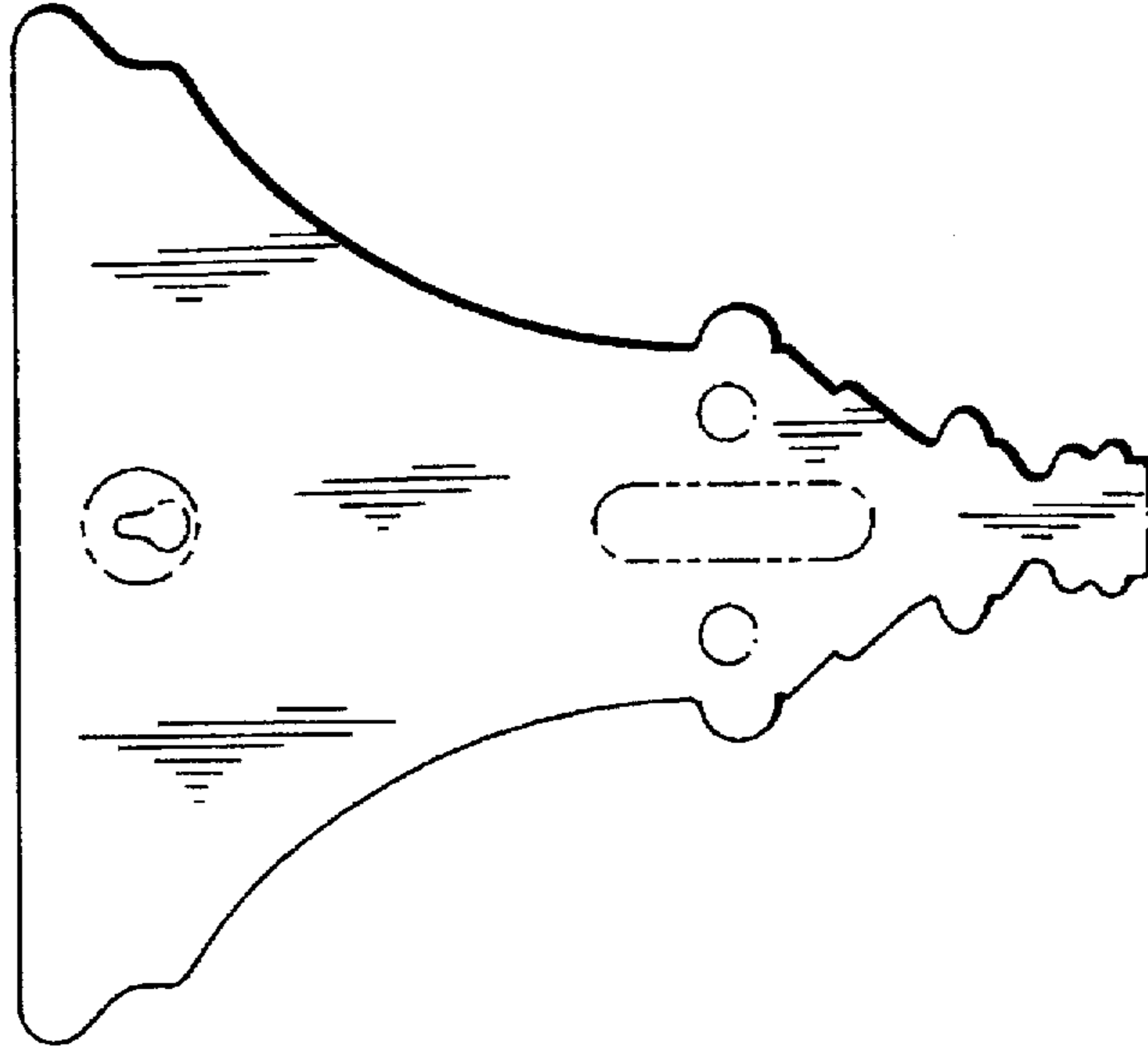


FIG. 4

