



US00D391470S

United States Patent [19]

Johnson et al.

[11] Patent Number: **Des. 391,470**

[45] Date of Patent: ****Mar. 3, 1998**

[54] **KEY DECODER TOOL FOR USE BY LOCKSMITHS IN DETERMINING THE TUMBLER CODING OF LOCKS**

4,908,605 3/1990 Takatsuka 70/432 X
5,595,080 1/1997 Whinton 70/432

[76] Inventors: **Leroy W. Johnson; Deborah Johnson,**
both of 5102 Shady Bluff St., Durham,
N.C. 27704

Primary Examiner—Brian N. Vinson
Attorney, Agent, or Firm—Harold H. Dutton, Jr.

[**] Term: **14 Years**

[57] **CLAIM**

The ornamental design for a key decoder tool for use by locksmiths in determining the tumbler coding of locks, as shown.

[21] Appl. No.: **60,820**

DESCRIPTION

[22] Filed: **Oct. 8, 1996**

FIG. 1 is a perspective view of a key decoder tool for use by locksmiths determining the tumbler coding of locks showing our new design;

[51] LOC (6) Cl. **08-07**

[52] U.S. Cl. **D8/347; D8/330**

FIG. 2 is a front view thereof;

[58] Field of Search **D8/347, 348, 14;**

D10/46, 61, 65, 70; 70/431, 447, 466

FIG. 3 is a rear view thereof;

FIG. 4 is a right view thereof;

FIG. 5 is a left view thereof;

FIG. 6 is a top view thereof; and,

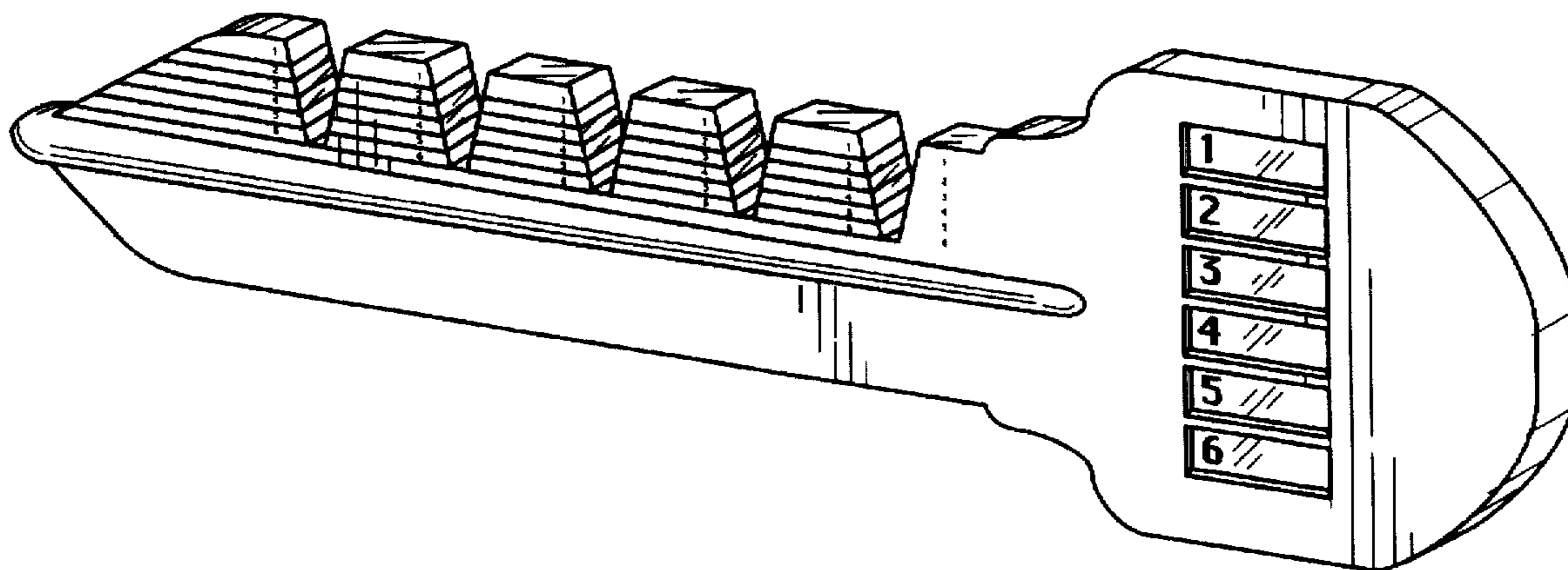
FIG. 7 is a bottom view thereof.

[56] **References Cited**

U.S. PATENT DOCUMENTS

3,868,838 3/1975 Zimmerman et al. 70/447 X

1 Claim, 4 Drawing Sheets



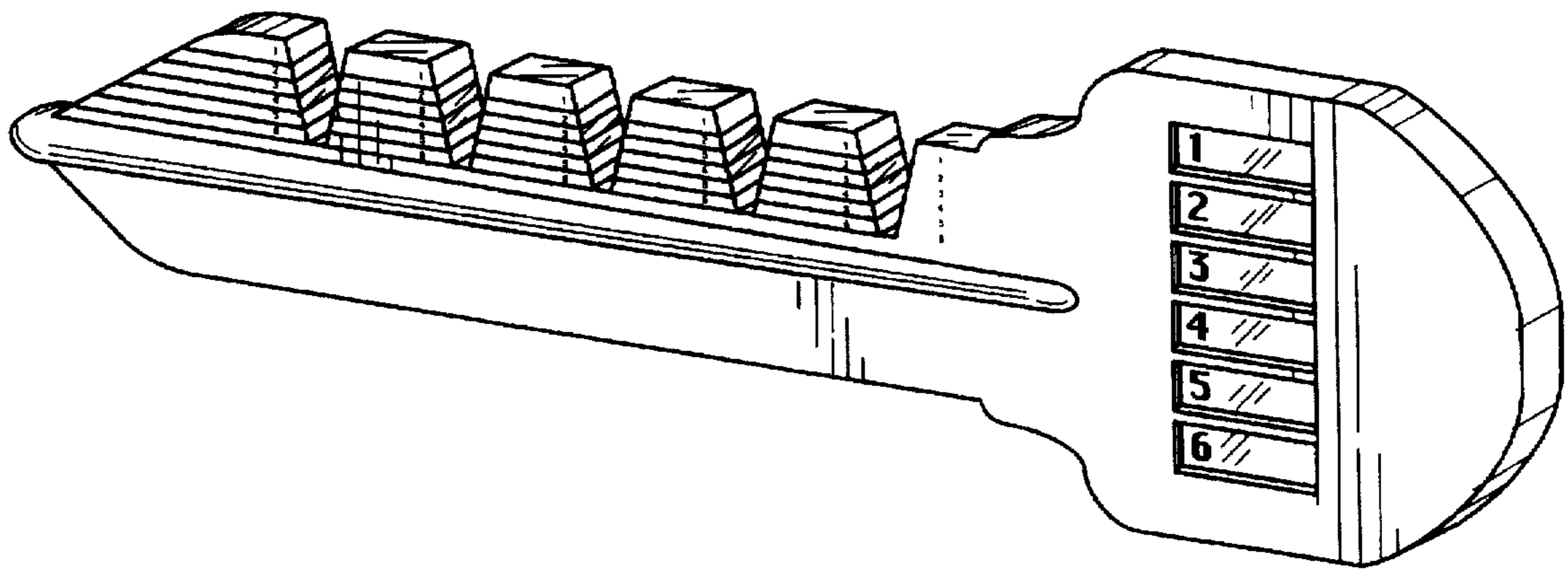


FIG. 1

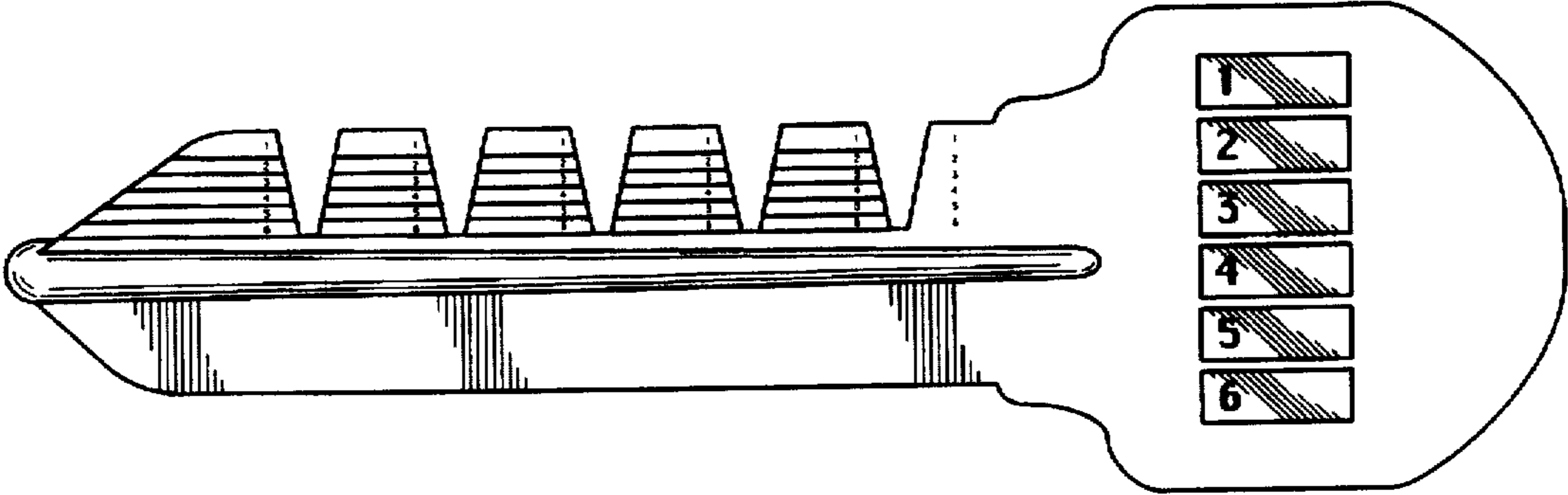


FIG. 2

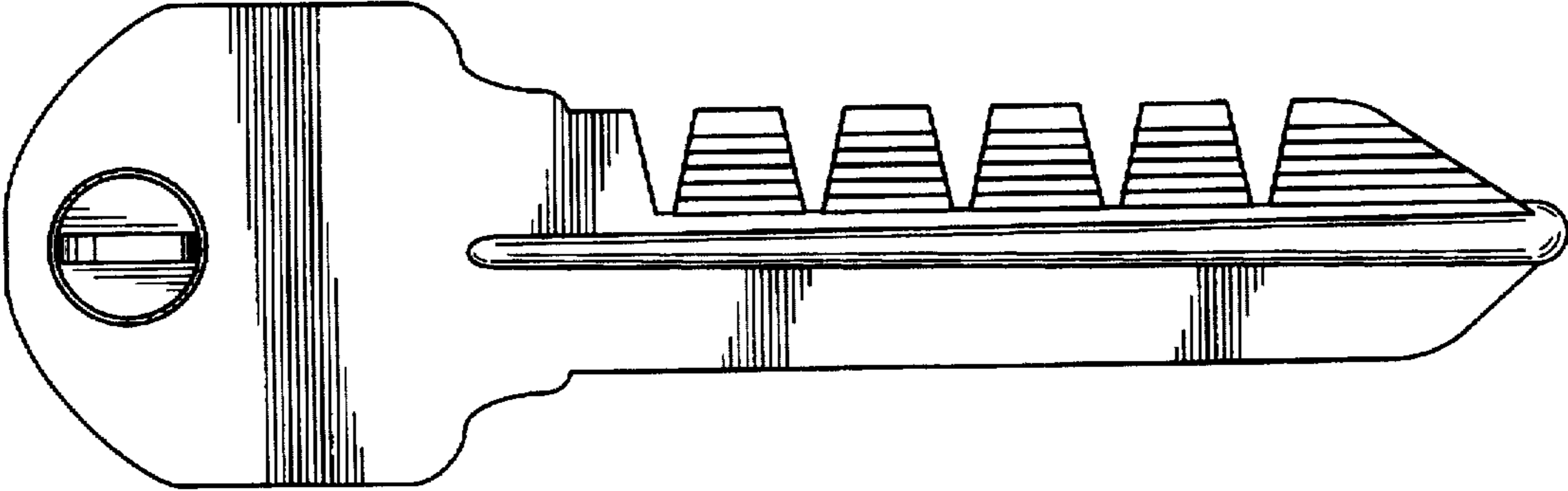


FIG. 3



FIG. 4



FIG. 5



FIG. 6



FIG. 7