



US00D391468S

United States Patent [19]

Doxey et al.

[11] Patent Number: **Des. 391,468**

[45] Date of Patent: ****Mar. 3, 1998**

[54] **CABINET HANDLE**

[75] Inventors: **Andre Doxey**, Beaverton, Oreg.;
Vincent L. Haley, Orrville, Ohio

[73] Assignee: **Rubbermaid Incorporated**, Wooster, Ohio

[**] Term: **14 Years**

[21] Appl. No.: **55,498**

[22] Filed: **Jun. 6, 1996**

[51] LOC (6) CL. **08-06**

[52] U.S. Cl. **D8/313**

[58] Field of Search D8/300, 313, 314;
D6/445-447; 292/DIG. 68; 16/110 R; 312/222,
324, 348.6

[56] **References Cited**

U.S. PATENT DOCUMENTS

D. 131,354	2/1942	Schreckengost .	
D. 312,014	11/1990	Friedman	D6/447
D. 318,367	7/1991	Chen	D6/446
D. 318,964	8/1991	Riffeser	D6/446
D. 355,313	2/1995	Breen et al.	D6/446
D. 364,468	11/1995	Maple	D25/16
D. 365,703	1/1996	Miller et al.	D6/446
D. 368,604	4/1996	Gotham et al.	D6/446
5,092,143	3/1992	Rumbles	292/DIG. 68

OTHER PUBLICATIONS

Sell sheet, Storage cabinet; P. O. Industries, Vista, California. Published at least as early as Jan., 1993.

P. 31, Storage cabinets; Edsal Cabinette, address unknown. Published at least as early as Jan., 1993.

Sell sheet, Storage cabinets; Hirsh Co., 8051 Central Park Avenue, Skokie, Illinois 60076. Publication date 1989.

P. 18, Cupboard; The Little Tikes Company, 2180 Barlow Road, Hudson, Ohio 44236. Publication date 1986.

Catalog page, Cabinet and changing table; Potomac Engineering Corp., 919 North Michigan Avenue, Chicago, Illinois 60611. Publication date 1991.

Pp. 153-155, Lockers and cabinets; United Stationers Supply Company, 2200 East Golf Road, Des Plaines, Illinois 60016. Publication date 1991.

P. f110, Storage cabinets; Dealers' Office Equipment, Inc., 19300 Janacek Court, Waukesha, Wisconsin 53186. Publication date 1992.

Primary Examiner—B. J. Bullock
Attorney, Agent, or Firm—Richard B. O'Planick; Lisa B. Riedesel

[57] **CLAIM**

The ornamental design for a cabinet handle, as shown and described.

DESCRIPTION

FIG. 1 is a top left front perspective view of a cabinet handle showing our new design;

FIG. 2 is a left side elevational view thereof; the right side elevational view being a mirror image;

FIG. 3 is a top plan view thereof;

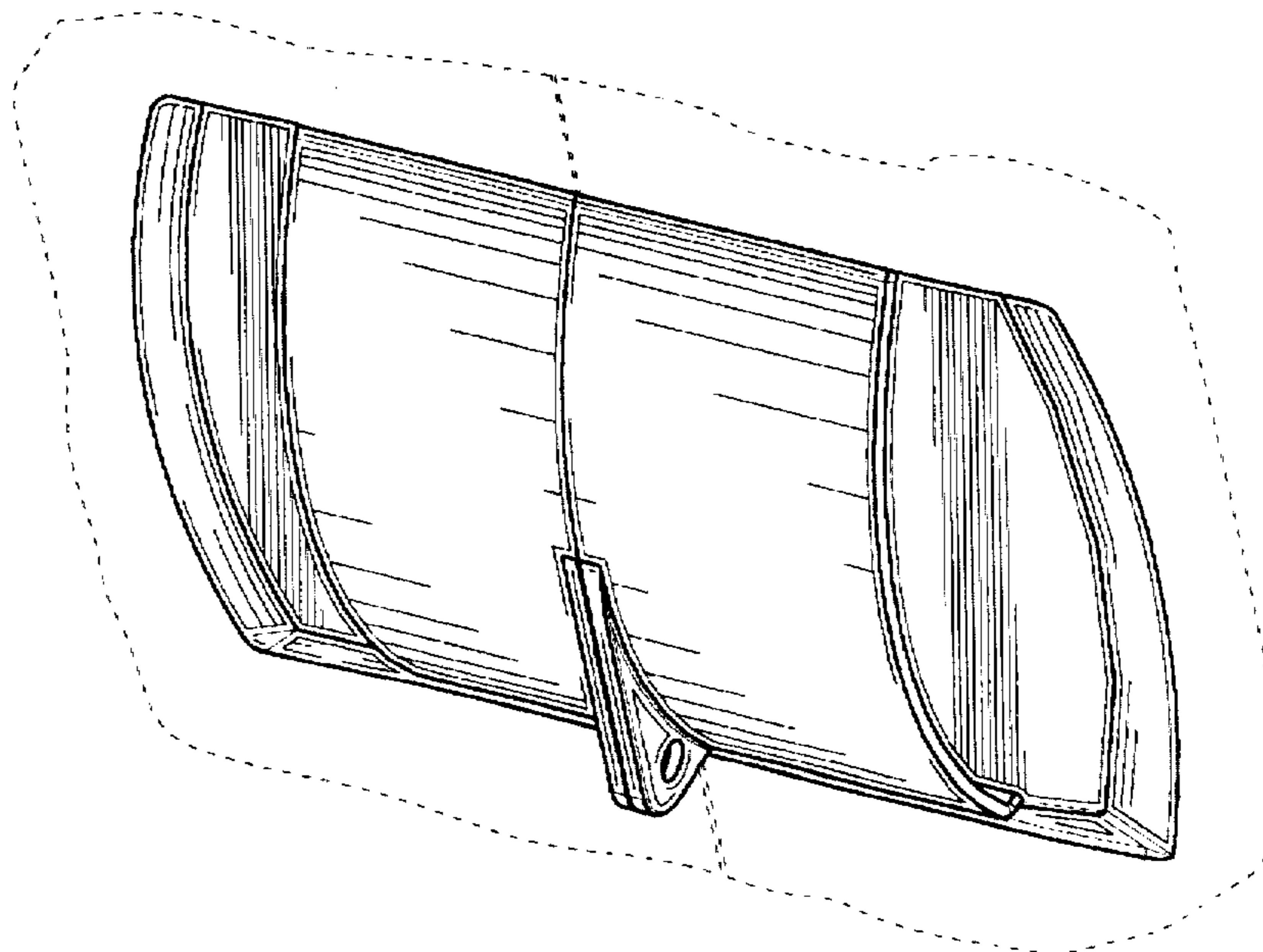
FIG. 4 is a front elevational view thereof;

FIG. 5 is a bottom plan view thereof; and,

FIG. 6 is a top left front perspective view of FIG. 1, in reduced scale, showing the placement of a cabinet handle on a cabinet.

The broken line showing of a cabinet or portion thereof is for illustrative purposes only and forms no part of the claimed design.

1 Claim, 4 Drawing Sheets



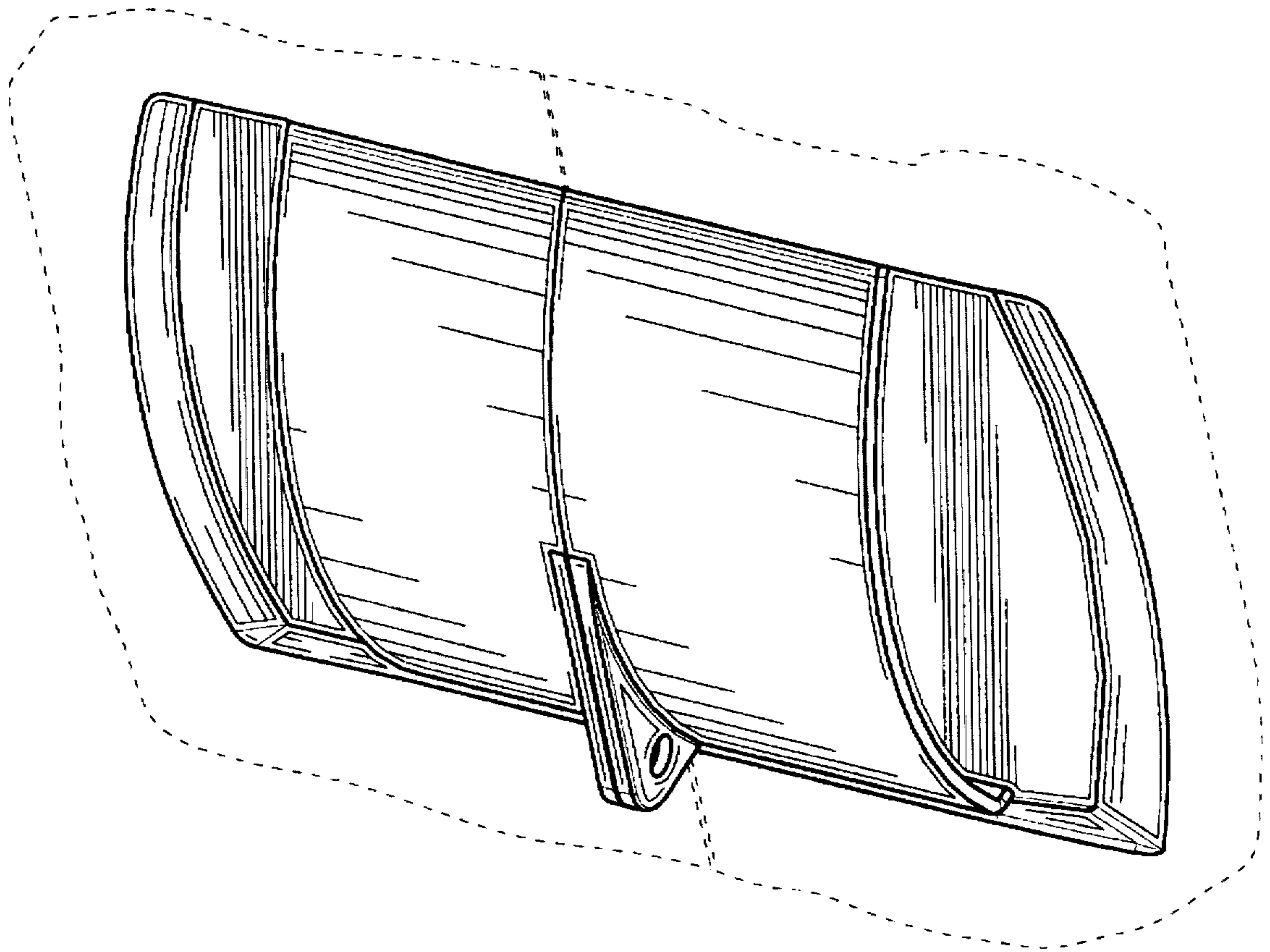


FIG. 1

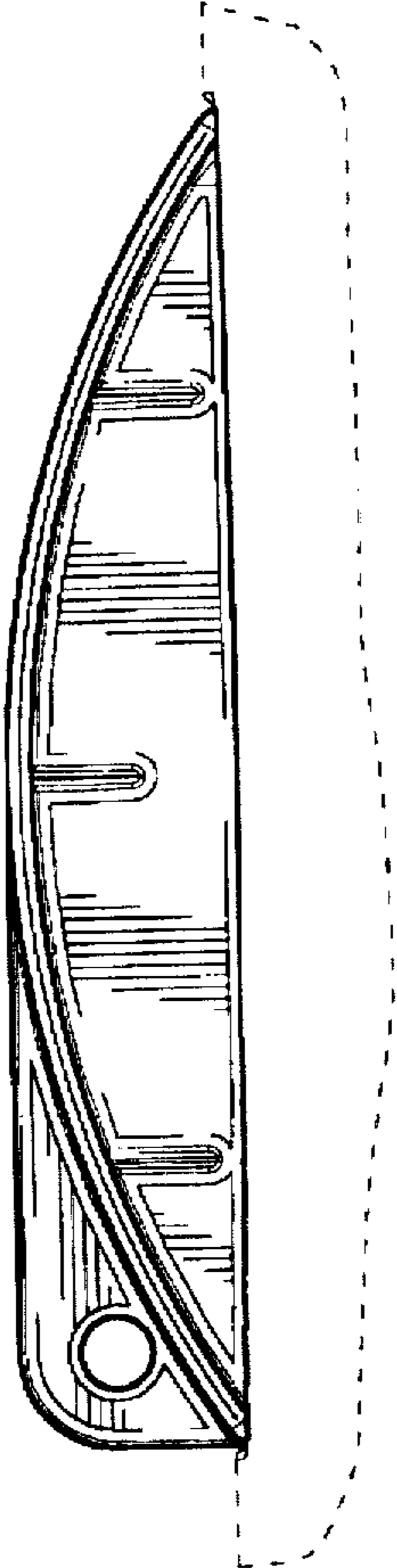


FIG. 2

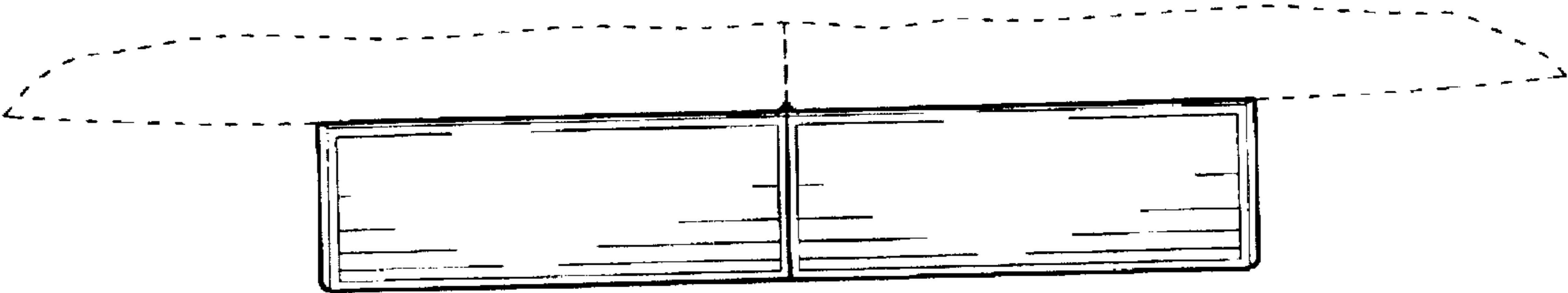


FIG. 3

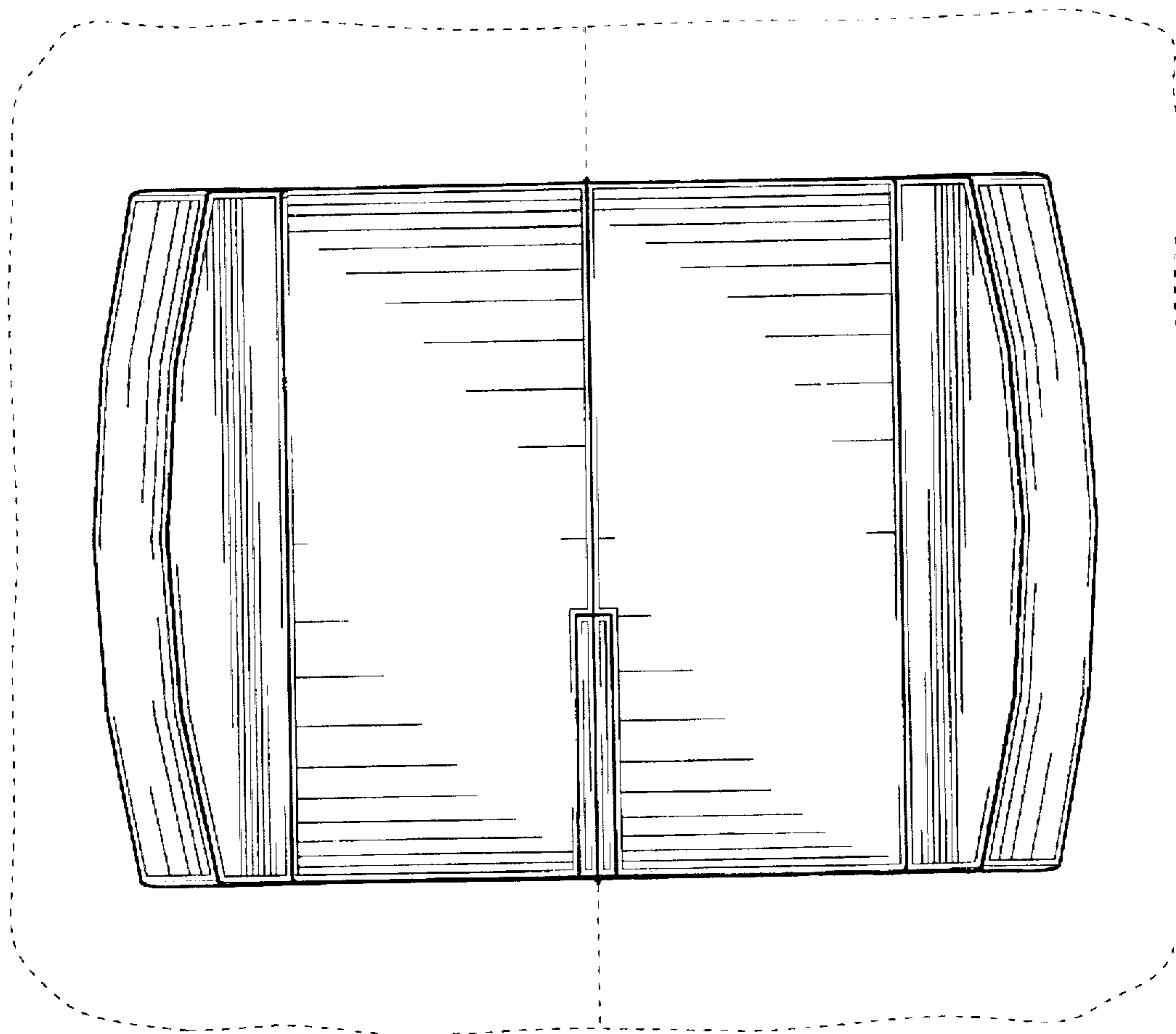


FIG. 4

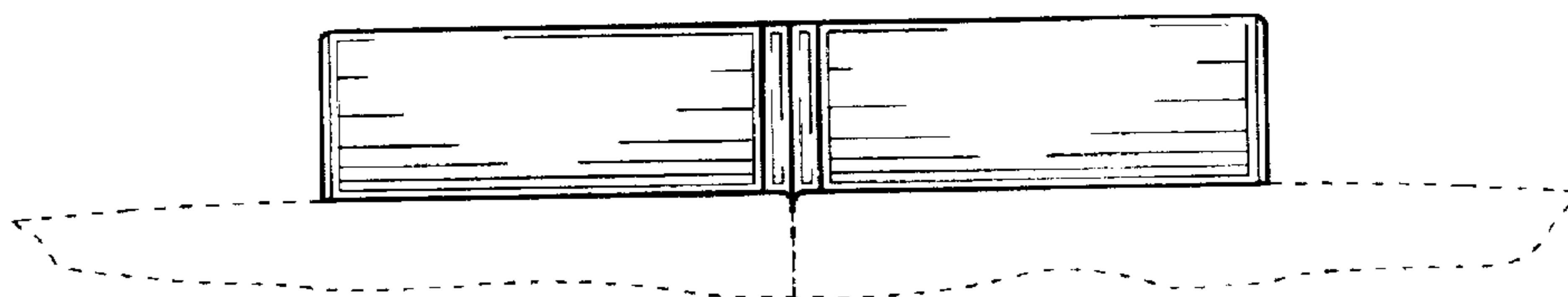


FIG. 5

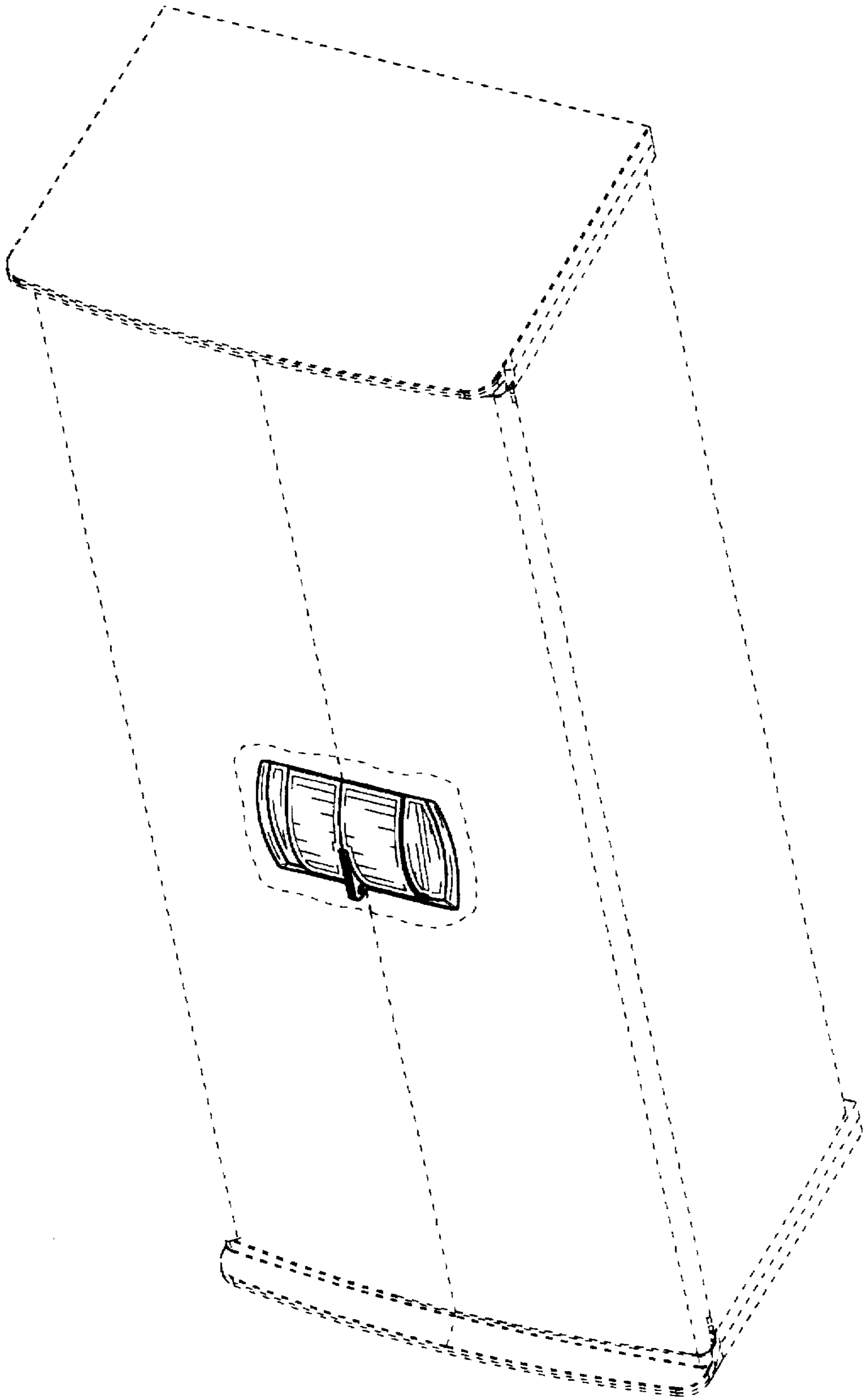


FIG. 6