



US00D391452S

**United States Patent** [19]  
**Huebert**

[11] **Patent Number:** **Des. 391,452**  
[45] **Date of Patent:** **\*\*Mar. 3, 1998**

[54] **DRINK HOLDER**

[75] **Inventor:** **Klaus Huebert, Steinheim, Germany**  
[73] **Assignee:** **Dr. Ing. h.c.F. Porsche AG, Weissach, Germany**  
[\*\*] **Term:** **14 Years**

[21] **Appl. No.:** **67,217**  
[22] **Filed:** **Feb. 26, 1997**

[30] **Foreign Application Priority Data**  
Aug. 26, 1996 [DE] Germany ..... 96 07 206.7  
[51] **LOC (6) Cl.** ..... **07-06**  
[52] **U.S. Cl.** ..... **D7/620**  
[58] **Field of Search** ..... D7/619, 620; 211/71, 211/74, 75; 215/395; 220/903, 906; 248/311.2

[56] **References Cited**

**U.S. PATENT DOCUMENTS**

D. 287,789 1/1987 Johnson ..... D7/620  
D. 295,937 5/1988 Corbett ..... D7/620

D. 299,482 1/1989 Pearson ..... D7/620  
2,879,023 3/1959 Barrier et al. .... 248/311.2 X  
2,979,301 4/1961 Reveal ..... 248/311.2 X  
3,698,675 10/1972 Lerew et al. .... 248/311.2  
4,721,216 1/1988 Kinder ..... 248/311.2 X

*Primary Examiner*—Terry A. Wallace  
*Attorney, Agent, or Firm*—Evenson, McKeown, Edwards & Lenahan, P.L.L.C.

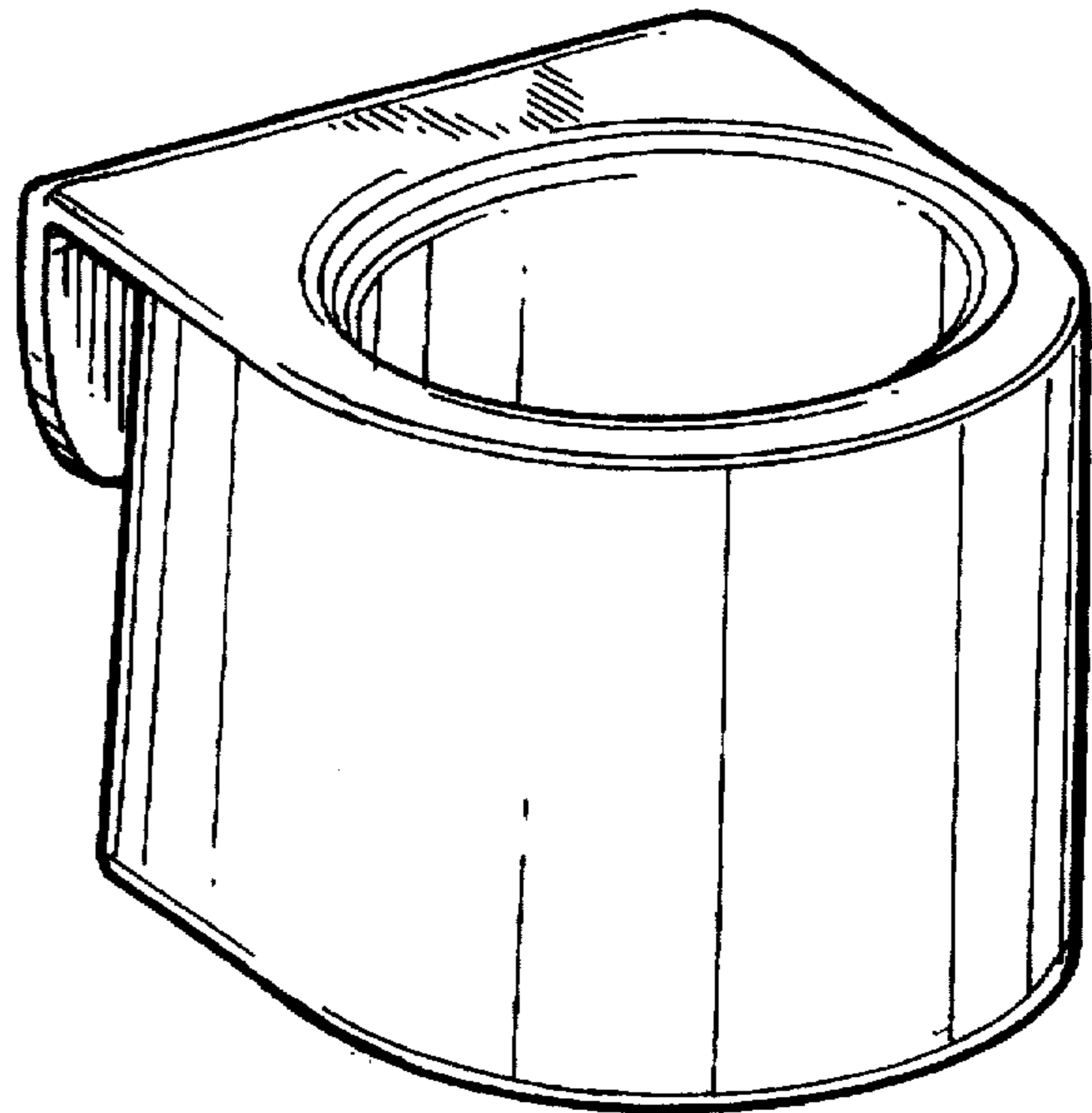
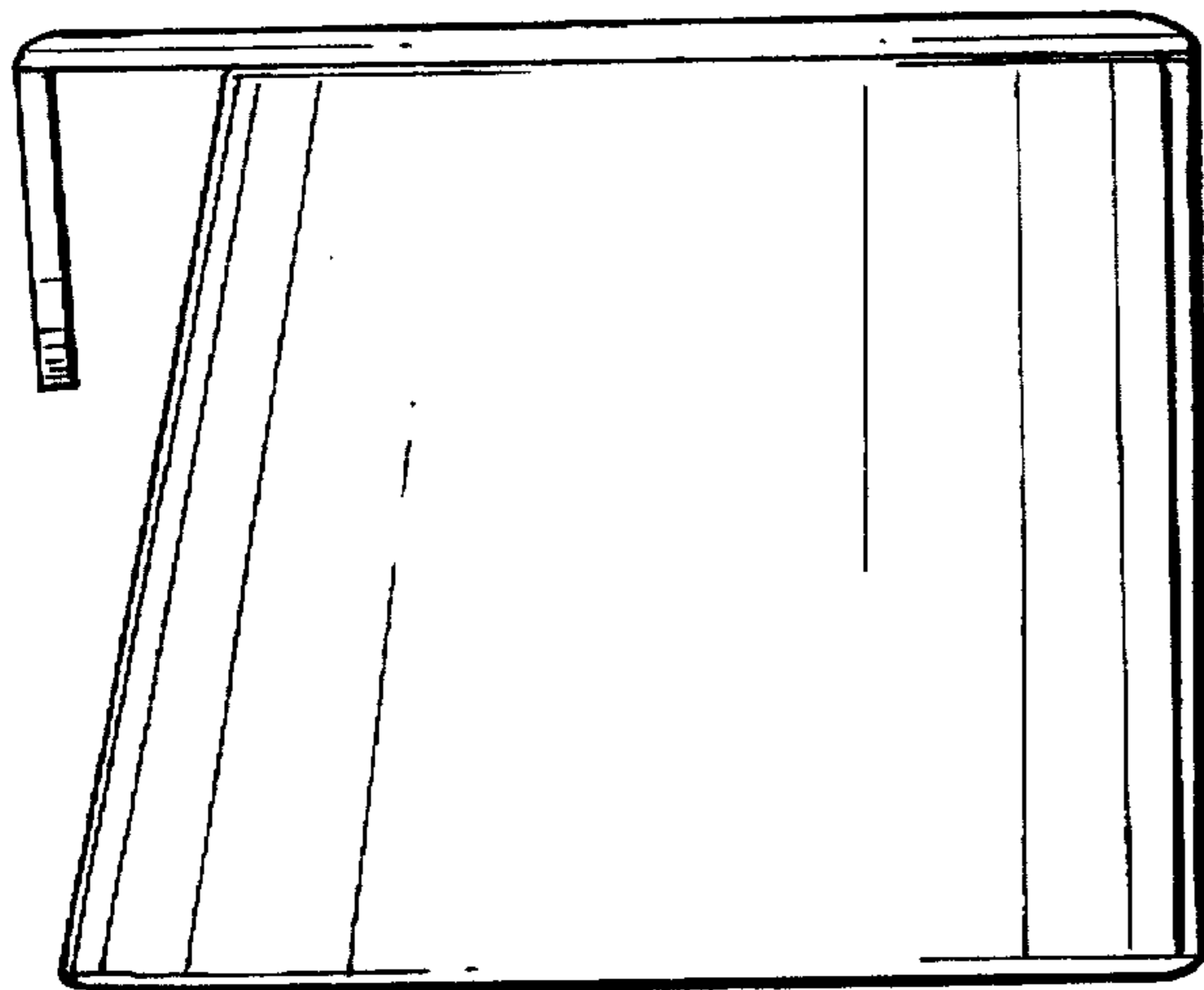
[57] **CLAIM**

The ornamental design for a drink holder, as shown and described.

**DESCRIPTION**

FIG. 1 is a left side elevation view of a drink holder showing my new design, the right side being a mirror image;  
FIG. 2 is a front elevation view thereof;  
FIG. 3 is a top plan view thereof;  
FIG. 4 is a rear elevation view thereof;  
FIG. 5 is a bottom plan view thereof; and,  
FIG. 6 is a top, front, left side perspective view thereof.  
The broken lines are used to show environmental structure only and form no part of the claimed design.

**1 Claim, 3 Drawing Sheets**



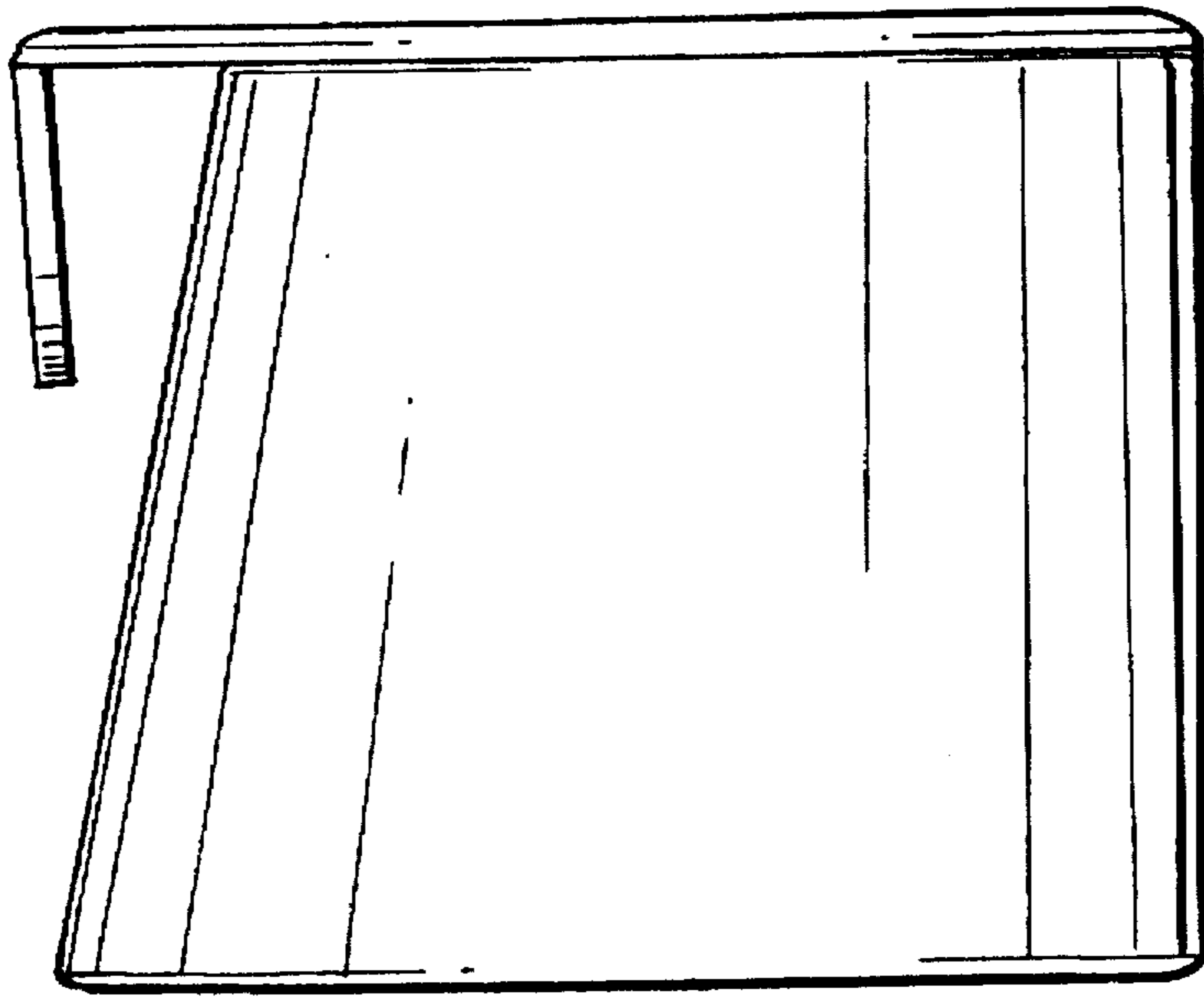


FIG. 1

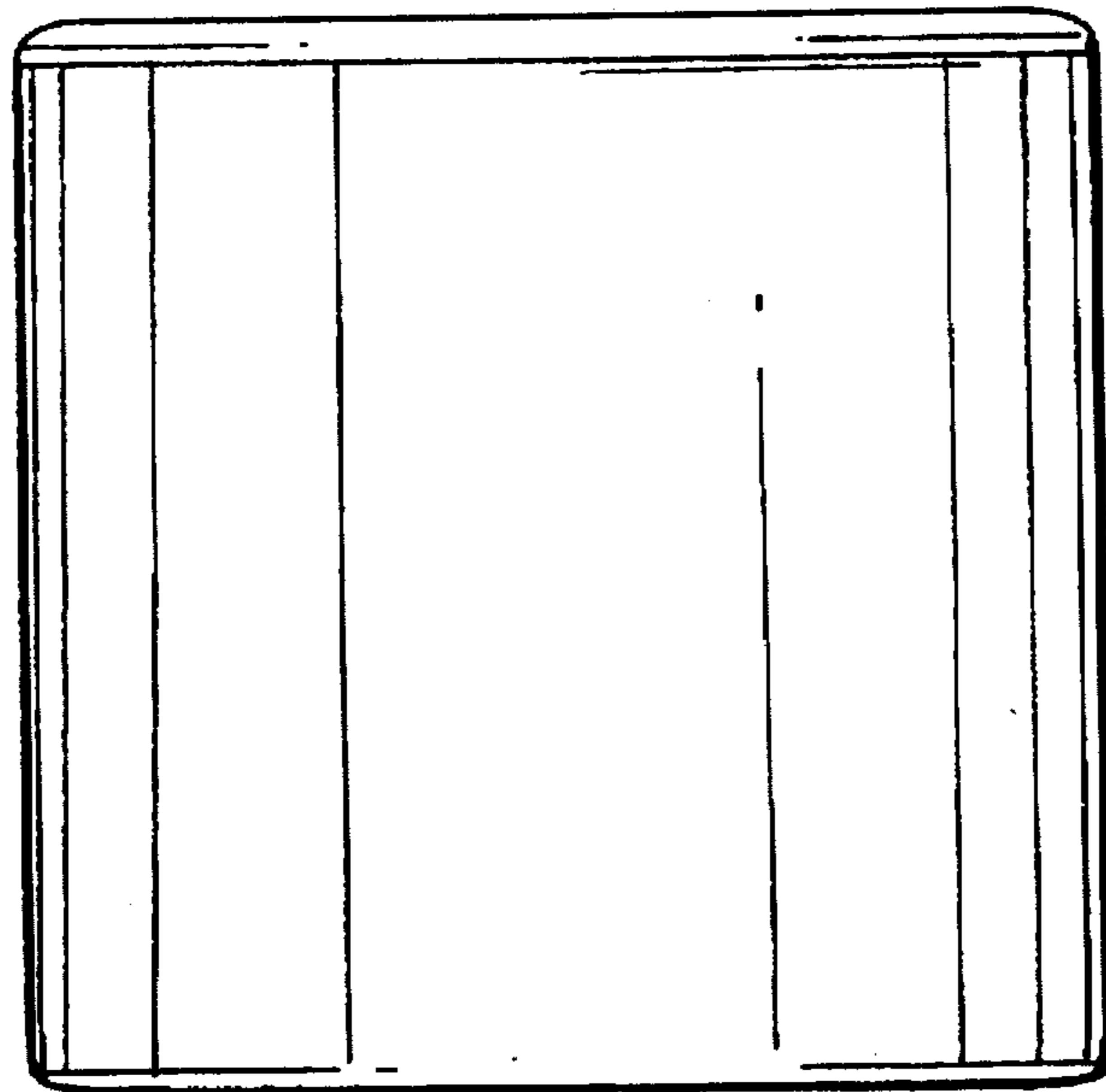


FIG. 2

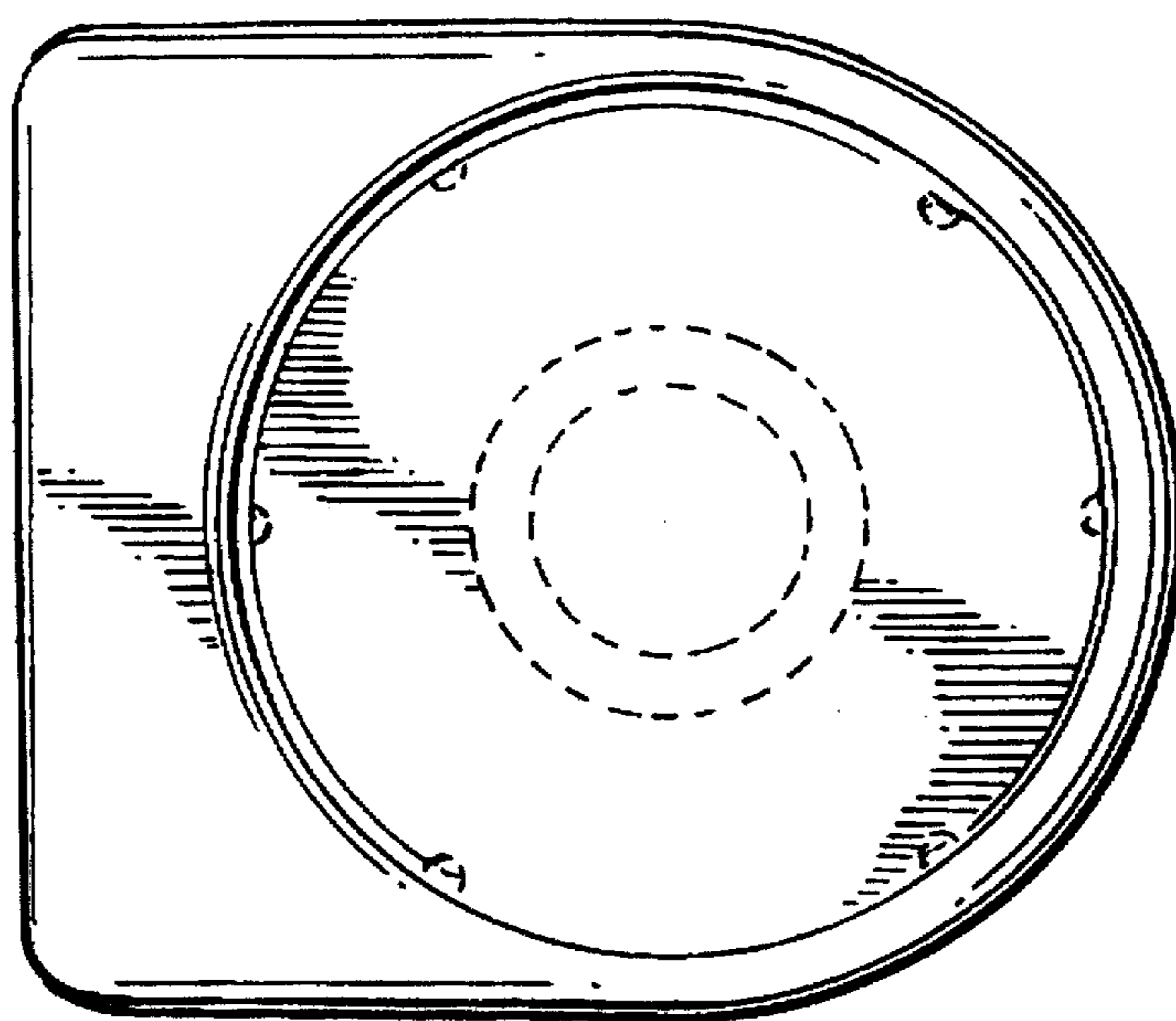


FIG. 3

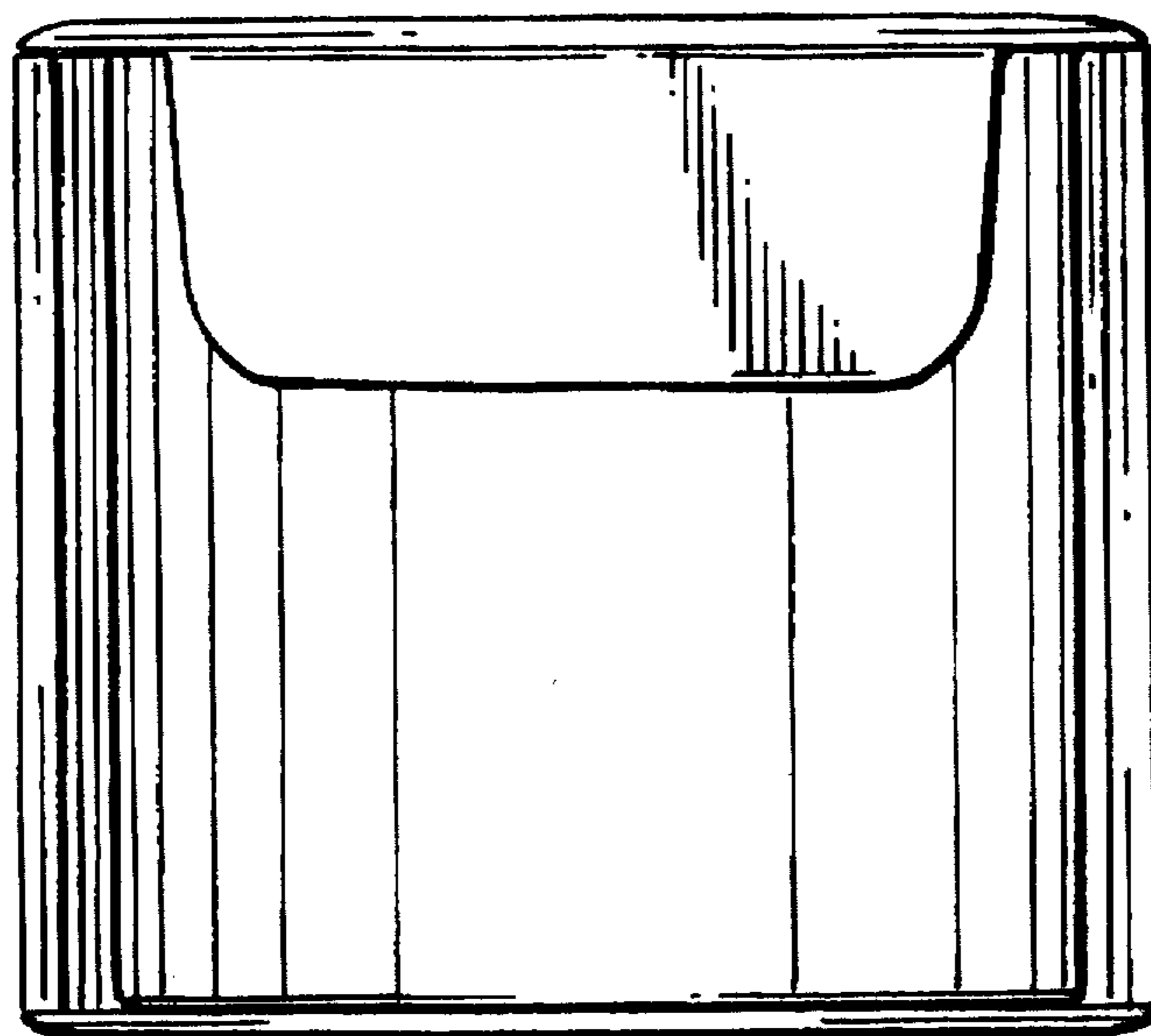


FIG. 4

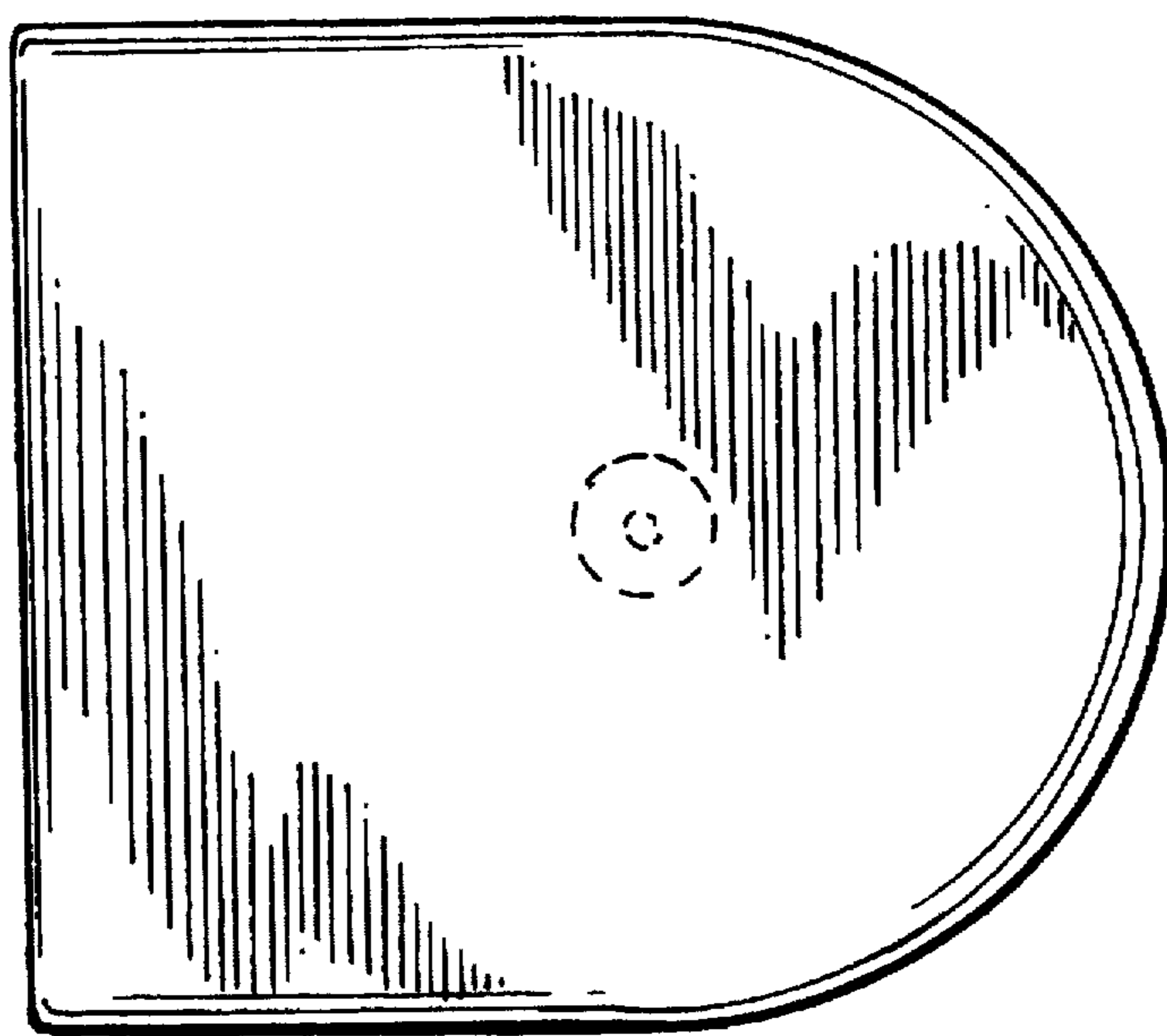


FIG. 5

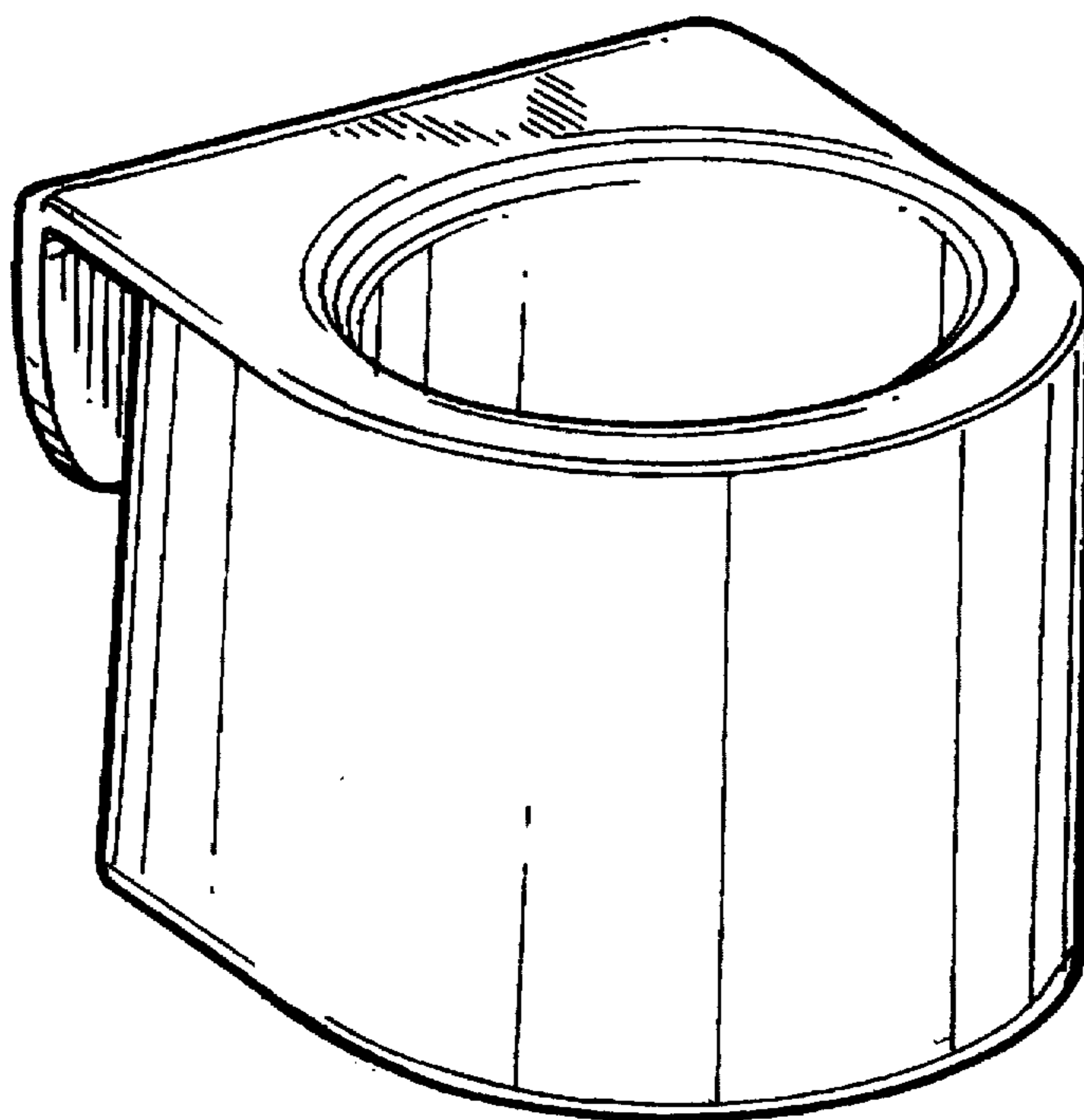


FIG. 6