



US00D391448S

United States Patent [19]

[11] Patent Number: **Des. 391,448**

Winer et al.

[45] Date of Patent: ****Mar. 3, 1998**

[54] **SQUEEZE BOTTLE FOR FILTERING AND PURIFYING DRINKING WATER**

[75] Inventors: **Robert H. Winer**, Morris Township, N.J.; **David L. Petrucci**, Wolcott, Conn.

[73] Assignee: **Sovereign Marketing Corp.**, Fairfield, N.J.

[**] Term: **14 Years**

[21] Appl. No.: **70,233**

[22] Filed: **May 2, 1997**

[51] LOC (6) Cl. **07-01**

[52] U.S. Cl. **D7/510; D7/511**

[58] Field of Search D7/510, 509, 511, D7/507, 513, 505, 533, 536, 537, 523, 538; 220/375, 713, DIG. 13; D9/439, 447, 446; D23/209, 213

[56] References Cited

U.S. PATENT DOCUMENTS

D. 322,836	12/1991	Petrucci et al.	D23/209
D. 323,017	1/1992	Bernstein	D23/209
D. 337,274	7/1993	Thatcher	D7/511
D. 339,068	9/1993	Bell et al.	D9/446 X
D. 339,503	9/1993	Callaway	D7/510
D. 346,801	5/1994	Traina	D7/511 X
D. 350,672	9/1994	Egger et al.	D7/511 X
D. 351,313	10/1994	Giard, Jr.	D7/510
D. 356,231	3/1995	Peyton, Jr.	D7/511 X
D. 356,625	3/1995	Petrucci et al.	D23/209
D. 358,295	5/1995	Moench	D9/447 X

D. 358,297	5/1995	Garneau	D7/510
D. 358,530	5/1995	Mehra et al.	D7/510
D. 358,964	6/1995	Foster et al.	D7/510
D. 361,922	9/1995	Van Dyk	D7/510
D. 366,809	2/1996	Green	D7/510
D. 370,828	6/1996	Green	D7/510
D. 373,928	9/1996	Green	D7/510 X
3,289,847	12/1966	Rothmund	D23/209 X
4,132,225	1/1979	Whattam	D7/510 X
4,583,668	4/1986	Maynard, Jr.	D9/446 X
5,090,583	2/1992	Hoffman et al.	D9/446 X
5,545,315	8/1996	Lonneman	210/120
5,609,759	3/1997	Nohren, Jr. et al.	210/266

Primary Examiner—M. N. Pandozzi
Attorney, Agent, or Firm—William C. Crutcher

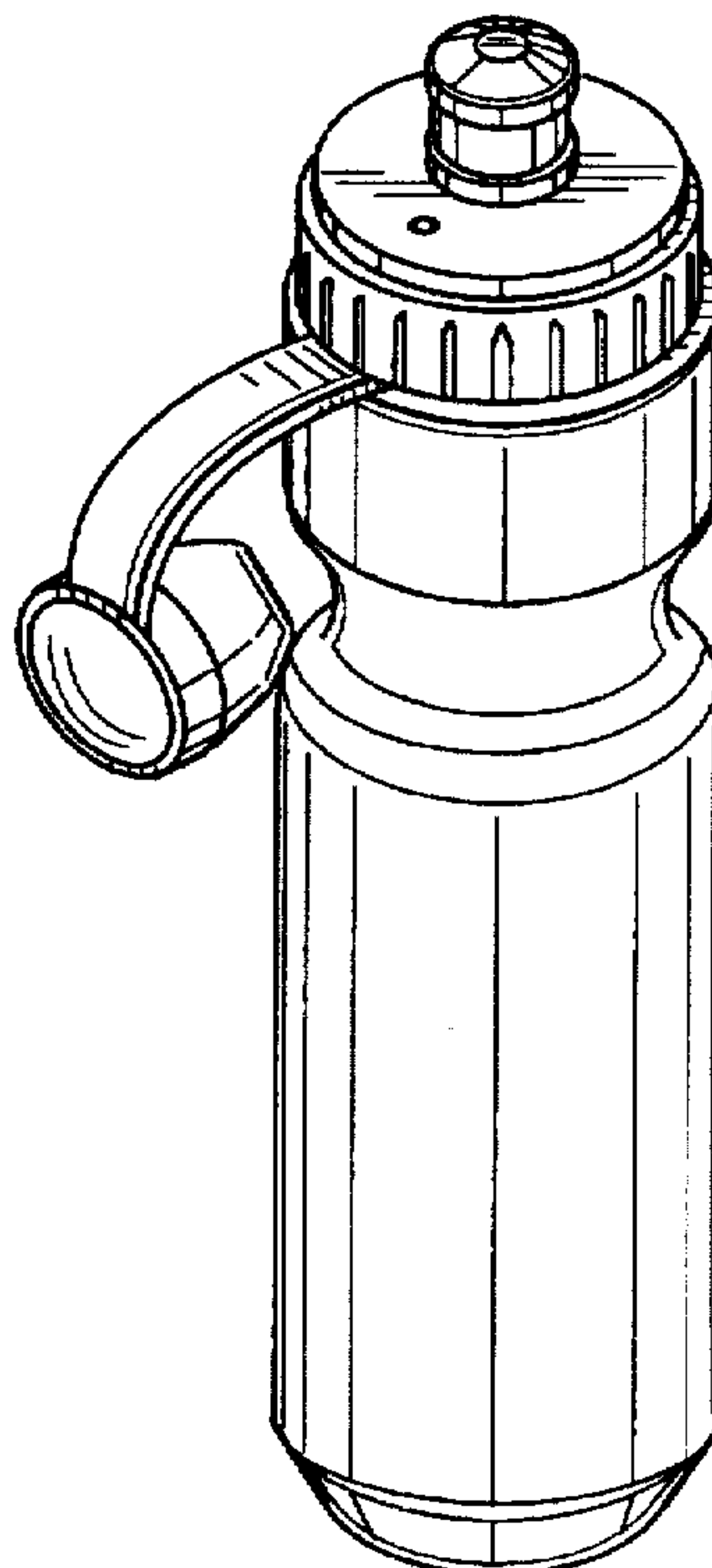
[57] CLAIM

The ornamental design for a "squeeze bottle for filtering and purifying drinking water", as shown and described.

DESCRIPTION

FIG. 1 is a perspective view of our improved squeeze bottle for filtering and purifying drinking water;
 FIG. 2 is a left side elevational view with a removable cap hanging to the left side thereof;
 FIG. 3 is a right side elevational view thereof;
 FIG. 4 is a rear elevational view thereof;
 FIG. 5 is a front elevational view thereof;
 FIG. 6 is a top plan view thereof;
 FIG. 7 is a bottom plan view thereof; and,
 FIG. 8 is a left side elevational view as in FIG. 2, but with the cap in closed position.

1 Claim, 3 Drawing Sheets



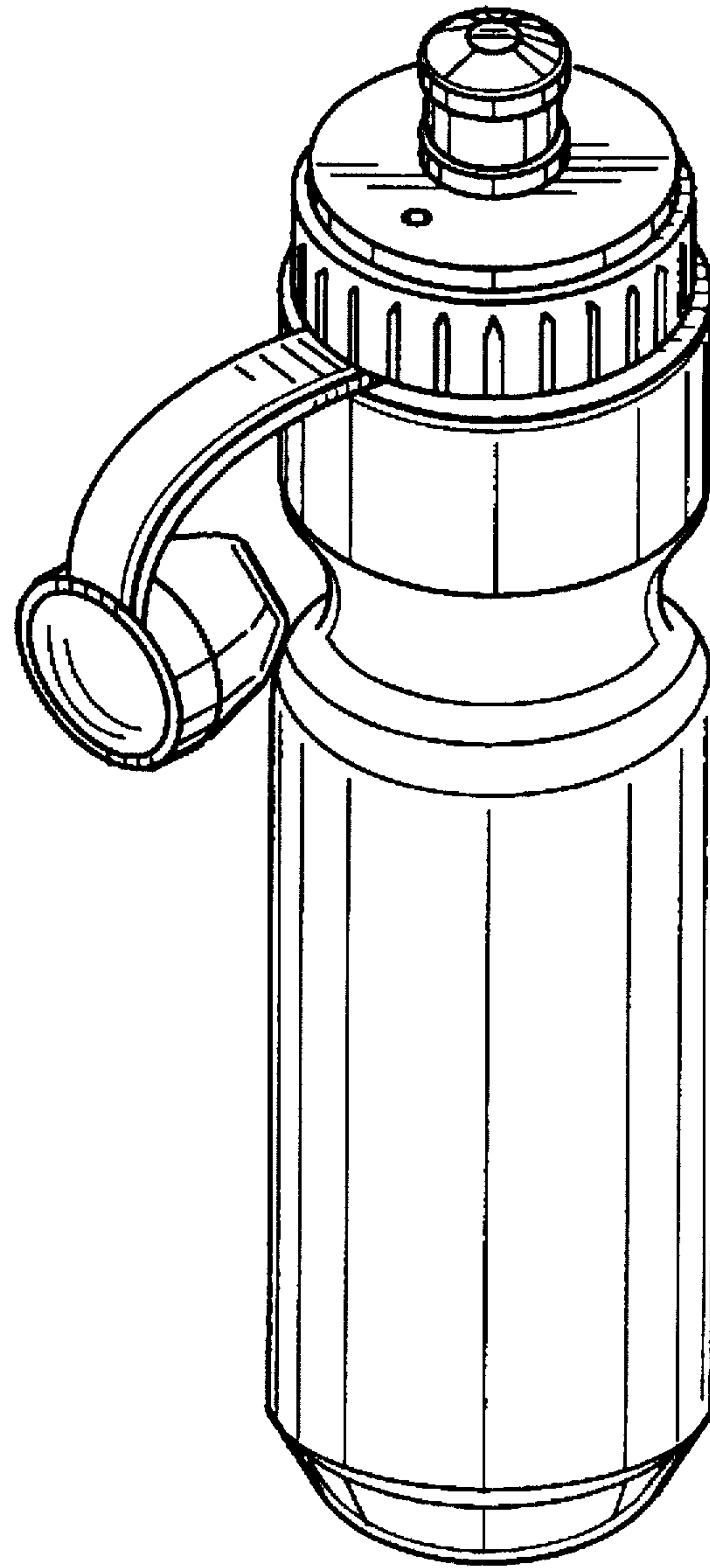


FIG. 1

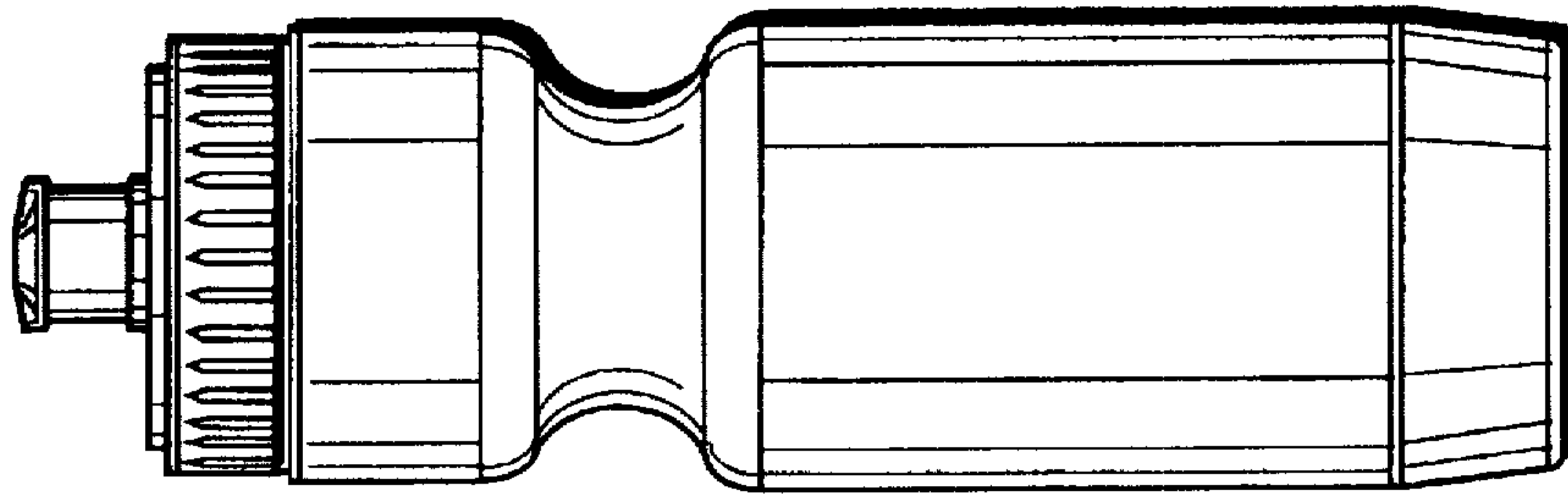


FIG. 5

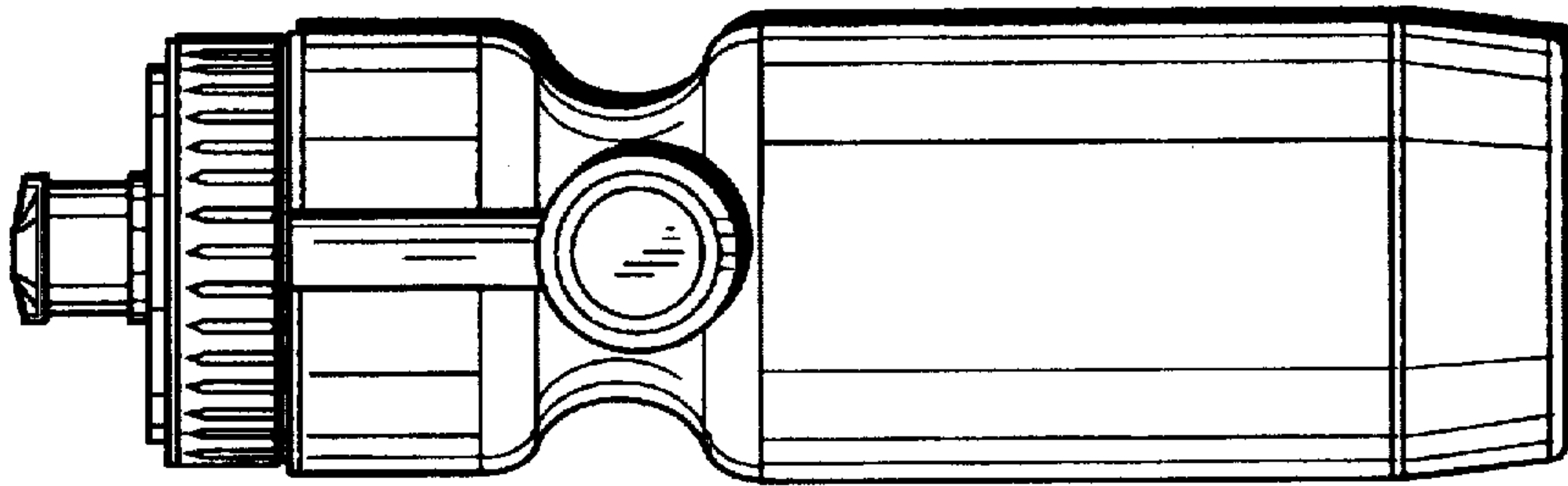


FIG. 4

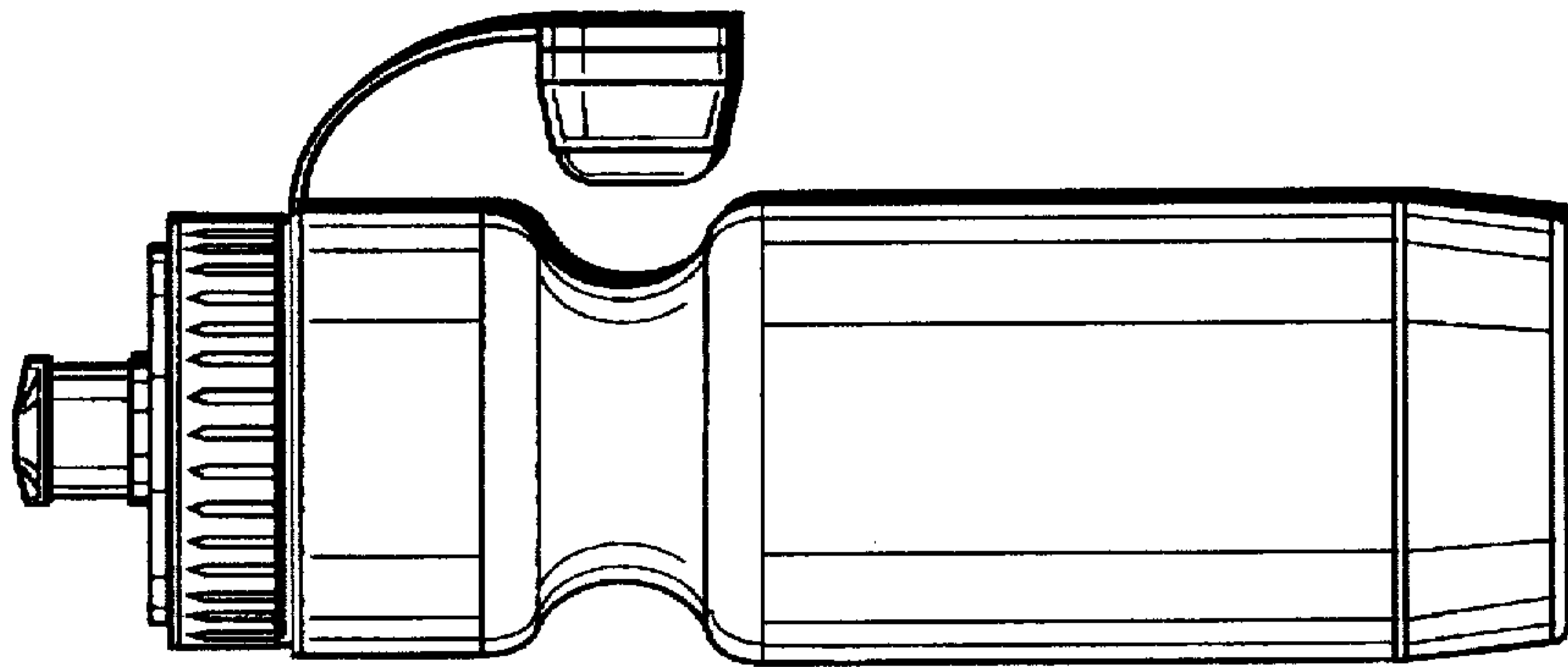


FIG. 3

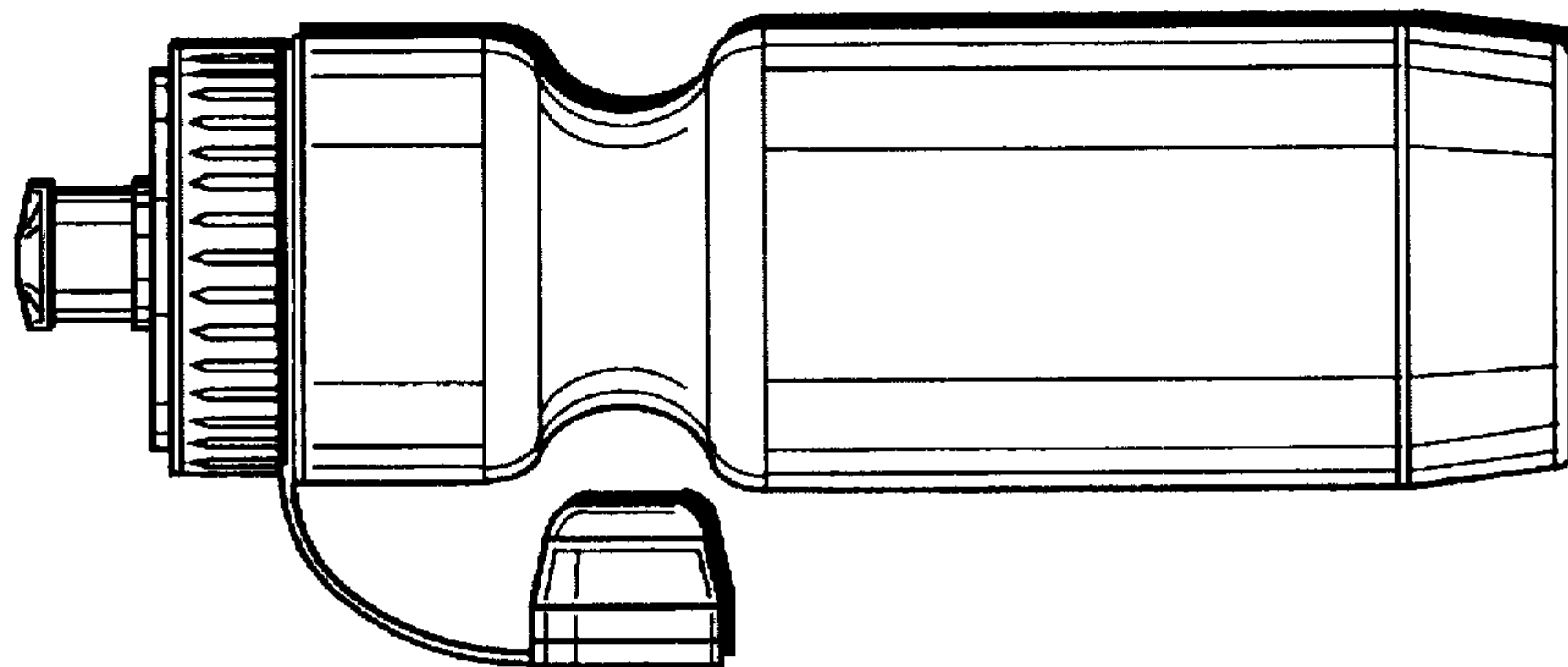


FIG. 2

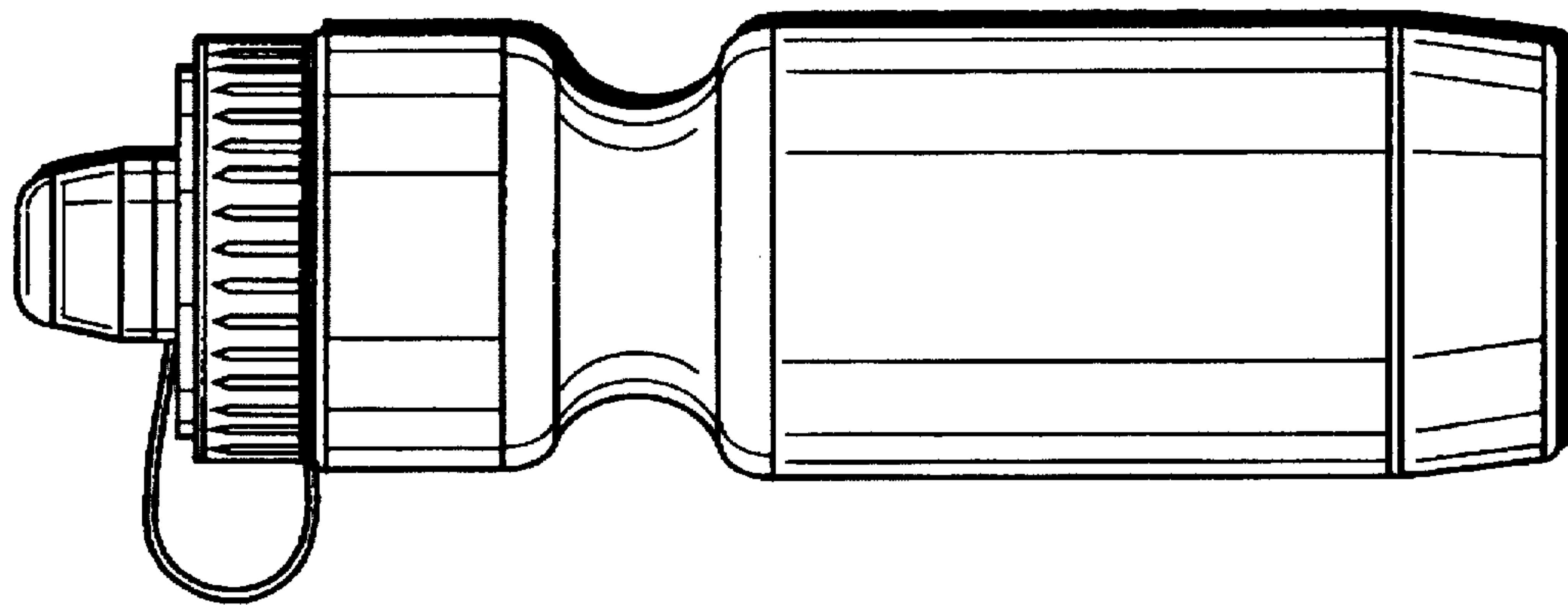


FIG. 8

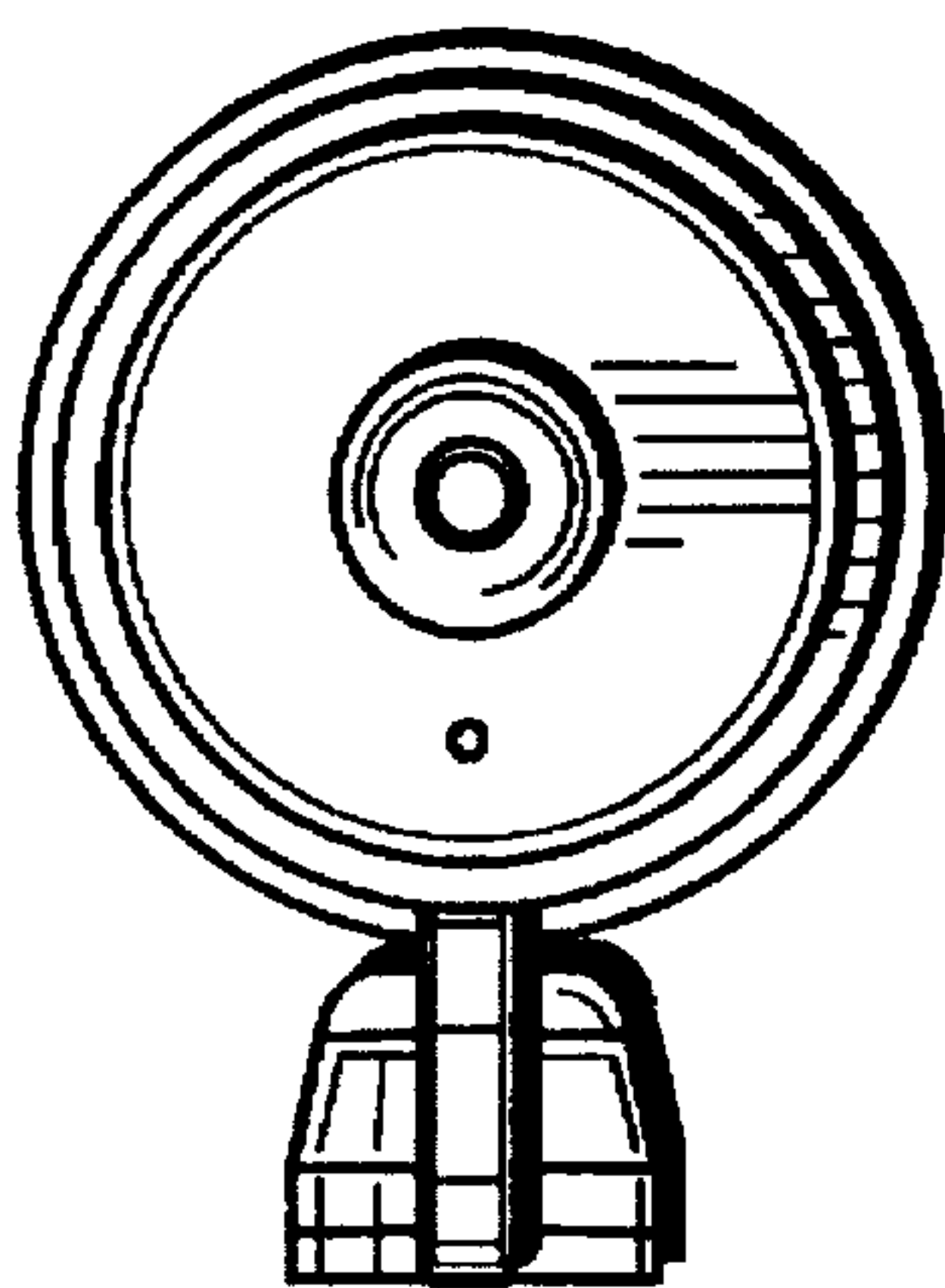


FIG. 6

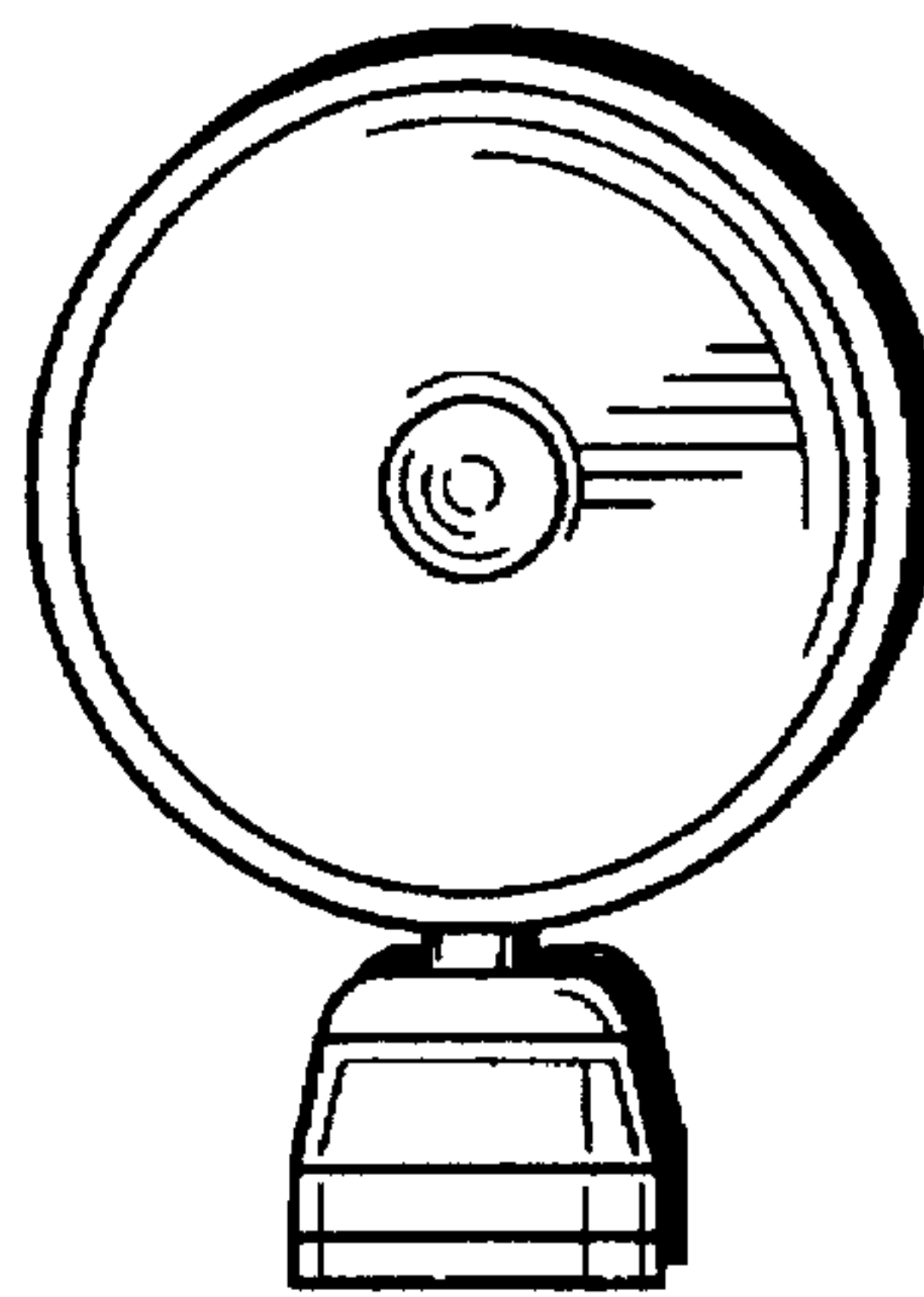


FIG. 7