



US00D391444S

United States Patent [19]
Munari

[11] **Patent Number:** **Des. 391,444**
[45] **Date of Patent:** ****Mar. 3, 1998**

[54] **PAN HANDLE**

[75] **Inventor:** **Francesco Munari**, Campo, Italy

[73] **Assignee:** **La Termoplastico F.B.M. S.R.L.**,
Arsago Seprio, Italy

[**] **Term:** **14 Years**

[21] **Appl. No.:** **69,657**

[22] **Filed:** **Mar. 31, 1997**

[30] **Foreign Application Priority Data**

Oct. 7, 1996 [XH] Hague Agreement DM/037819

[51] **LOC (6) Cl.** **07-02**

[52] **U.S. Cl.** **D7/394; D7/393**

[58] **Field of Search** **D7/354-361, 393-395;**
D8/107; 16/110 R, 110 A, 114 R, 114 A

[56] **References Cited**

U.S. PATENT DOCUMENTS

D. 179,213 11/1956 Painter D7/360
D. 348,178 6/1994 Munari D7/393 X

Primary Examiner—Caron D. Veynar
Attorney, Agent, or Firm—Steinberg, Raskin & Davidson,
P.C.

[57] **CLAIM**

The ornamental design for a pan handle, as shown.

DESCRIPTION

FIG. 1 is a perspective view taken from the top of a pan handle showing my new design;

FIG. 2 is a right elevation view thereof;

FIG. 3 is a left elevation view thereof;

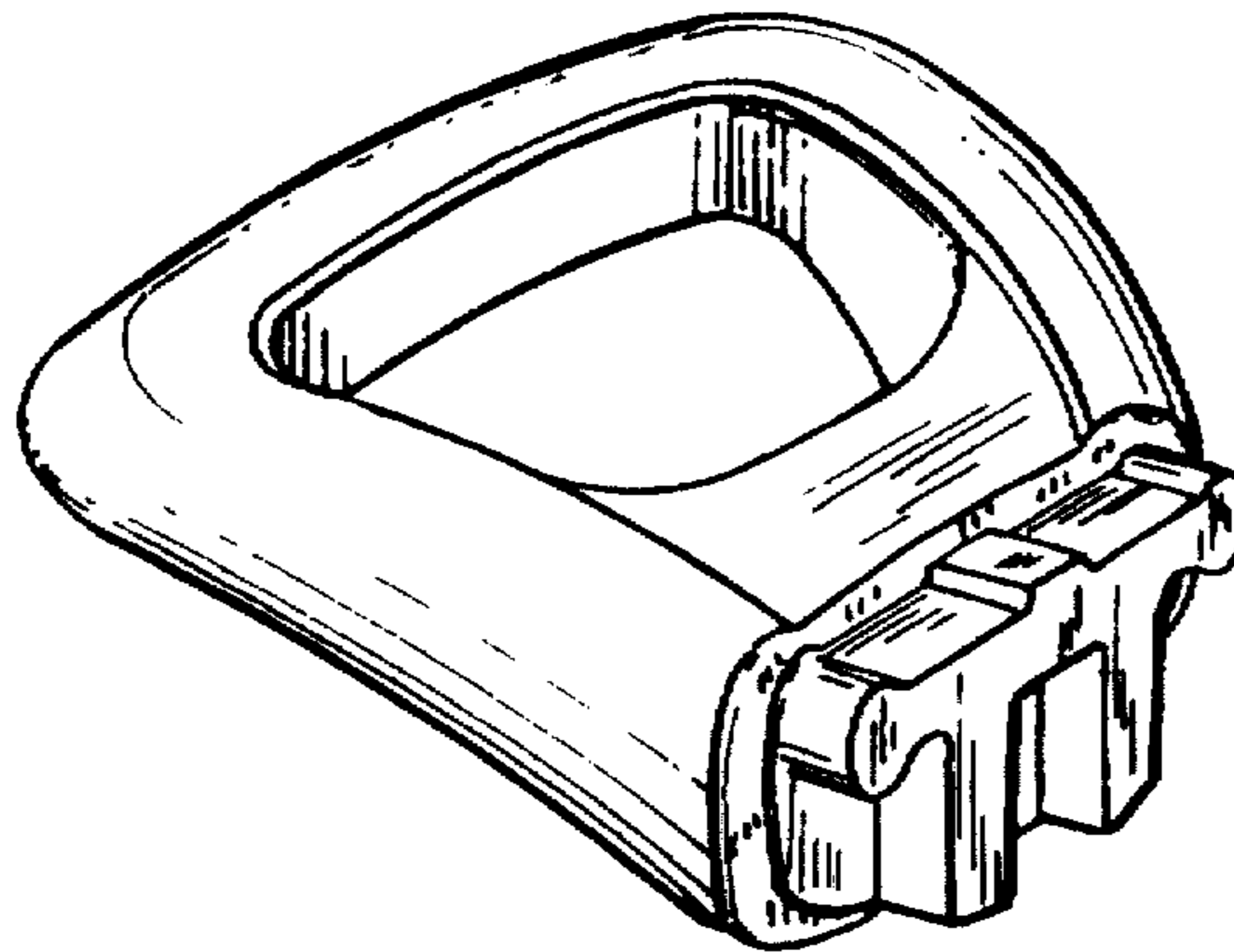
FIG. 4 is a bottom plan view thereof;

FIG. 5 is a top plan view thereof;

FIG. 6 is a rear elevation view thereof; and,

FIG. 7 is a front elevation view thereof.

1 Claim, 1 Drawing Sheet



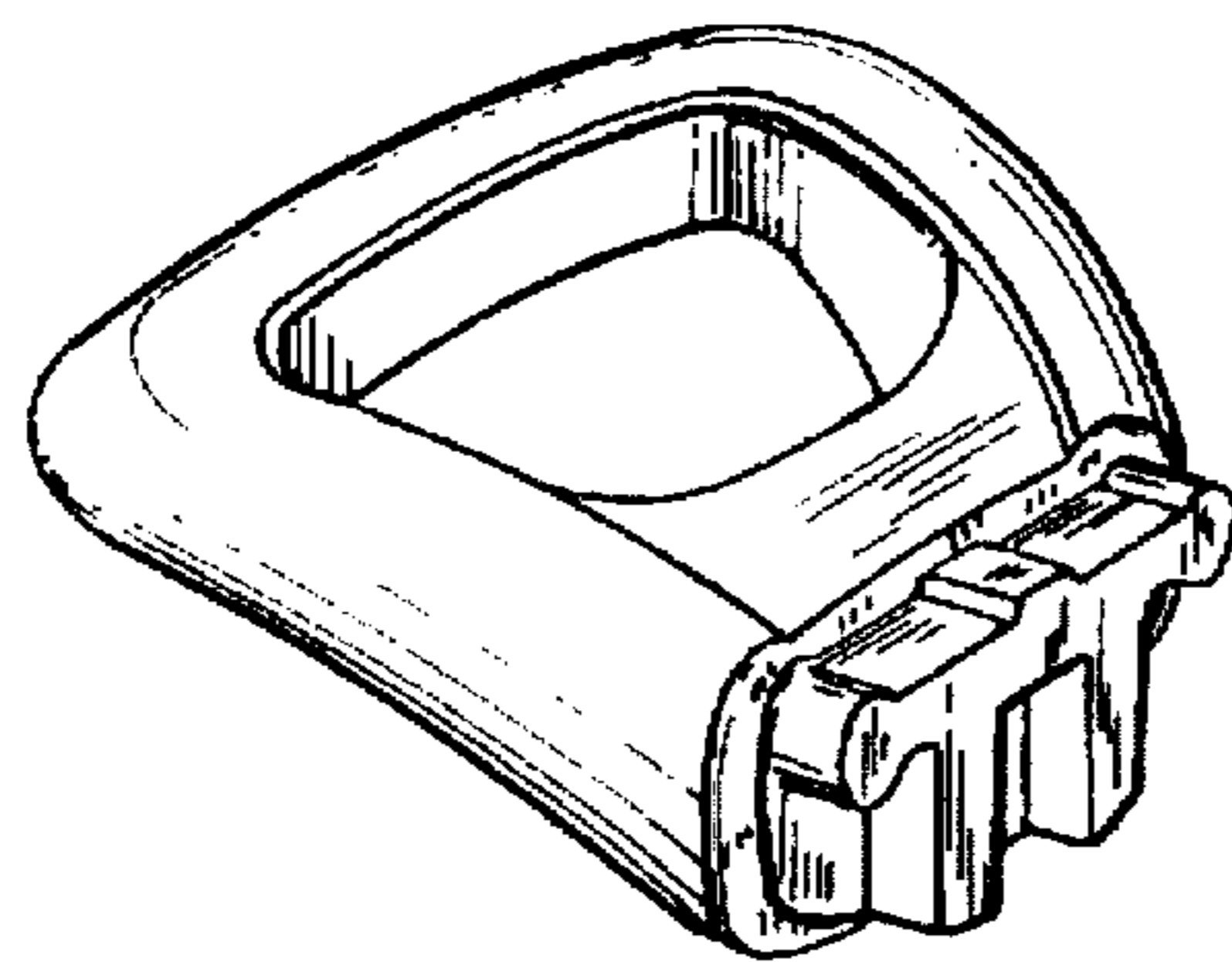


Fig. 1

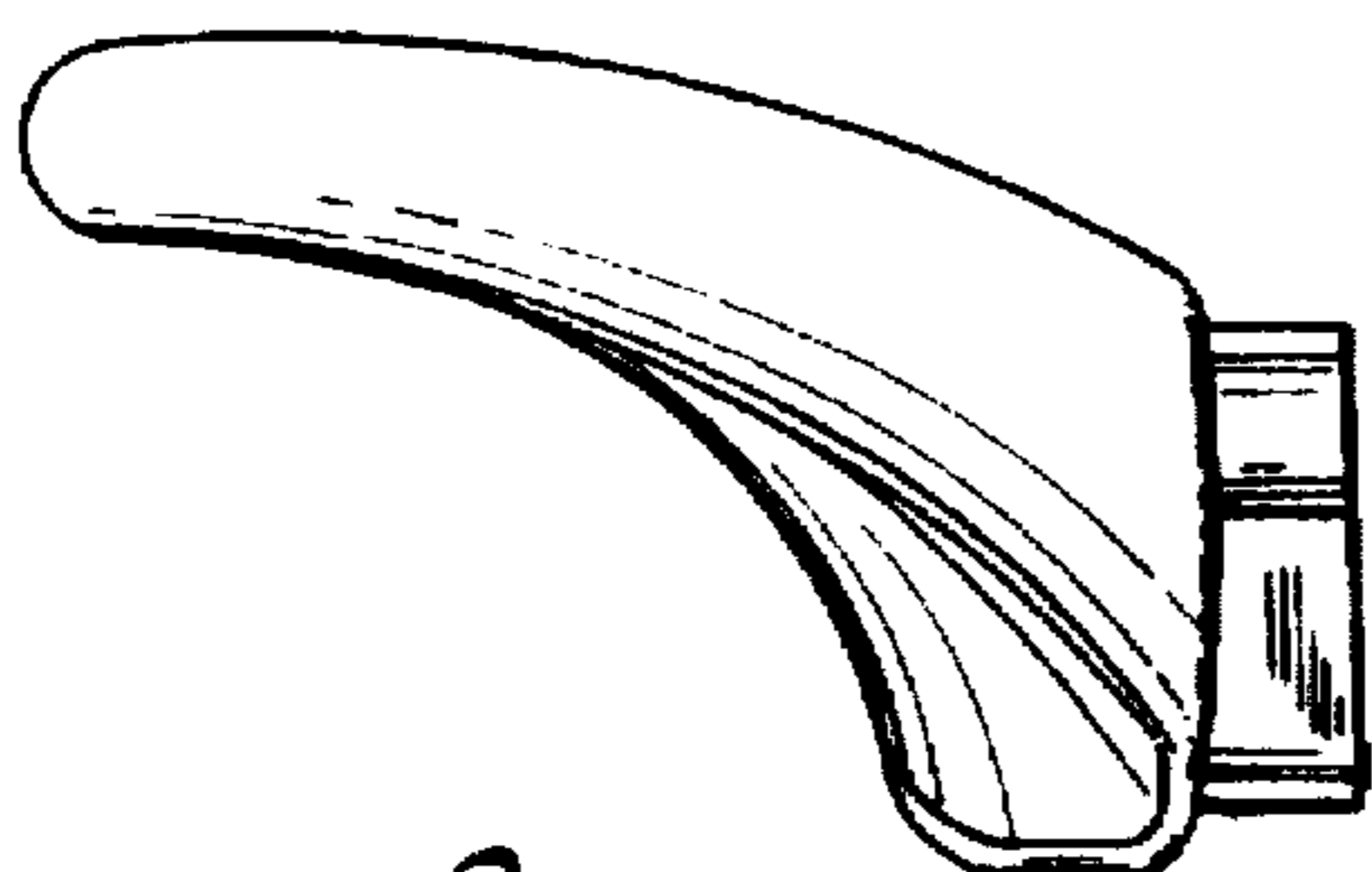


Fig. 2

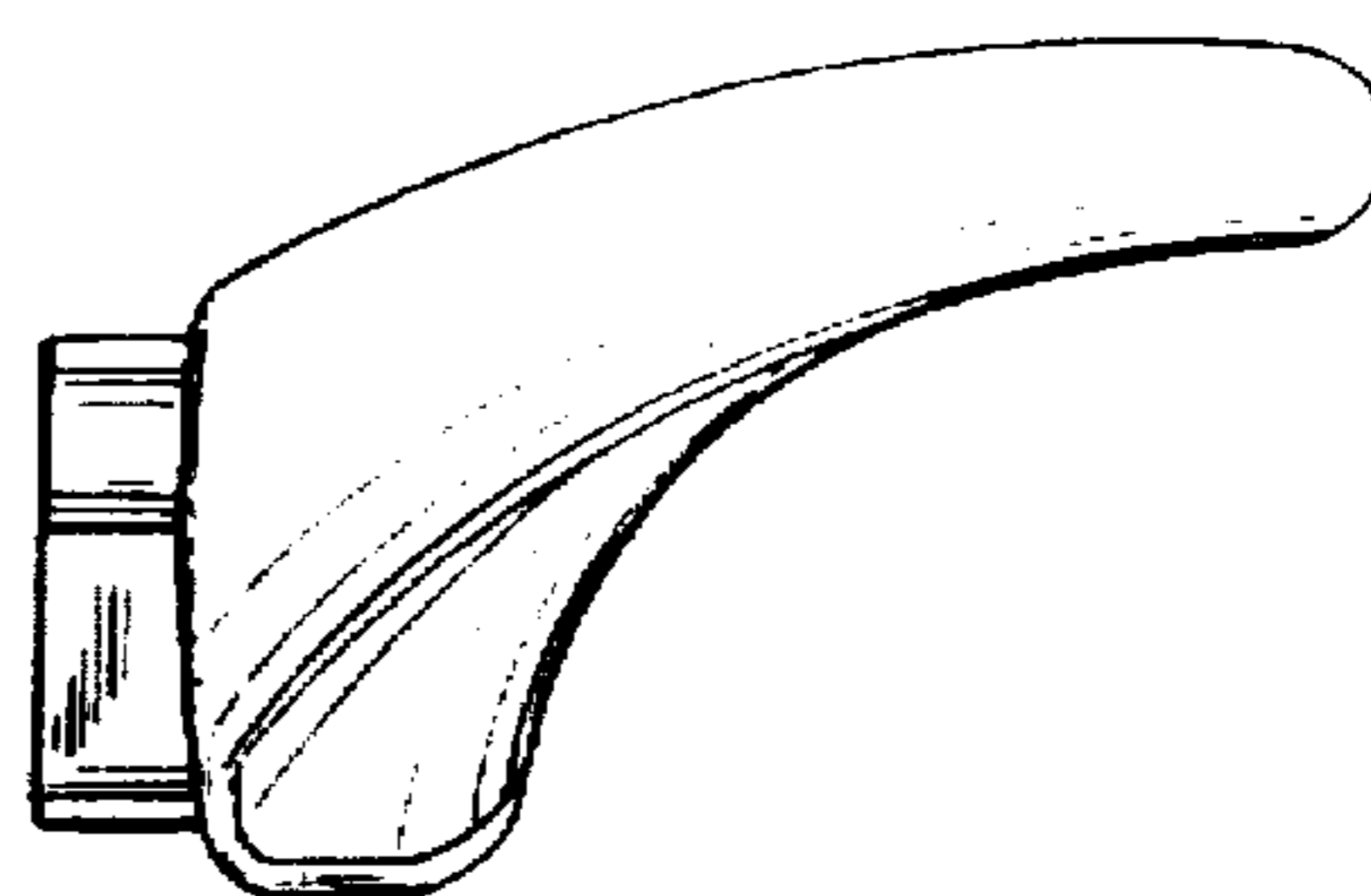


Fig. 3

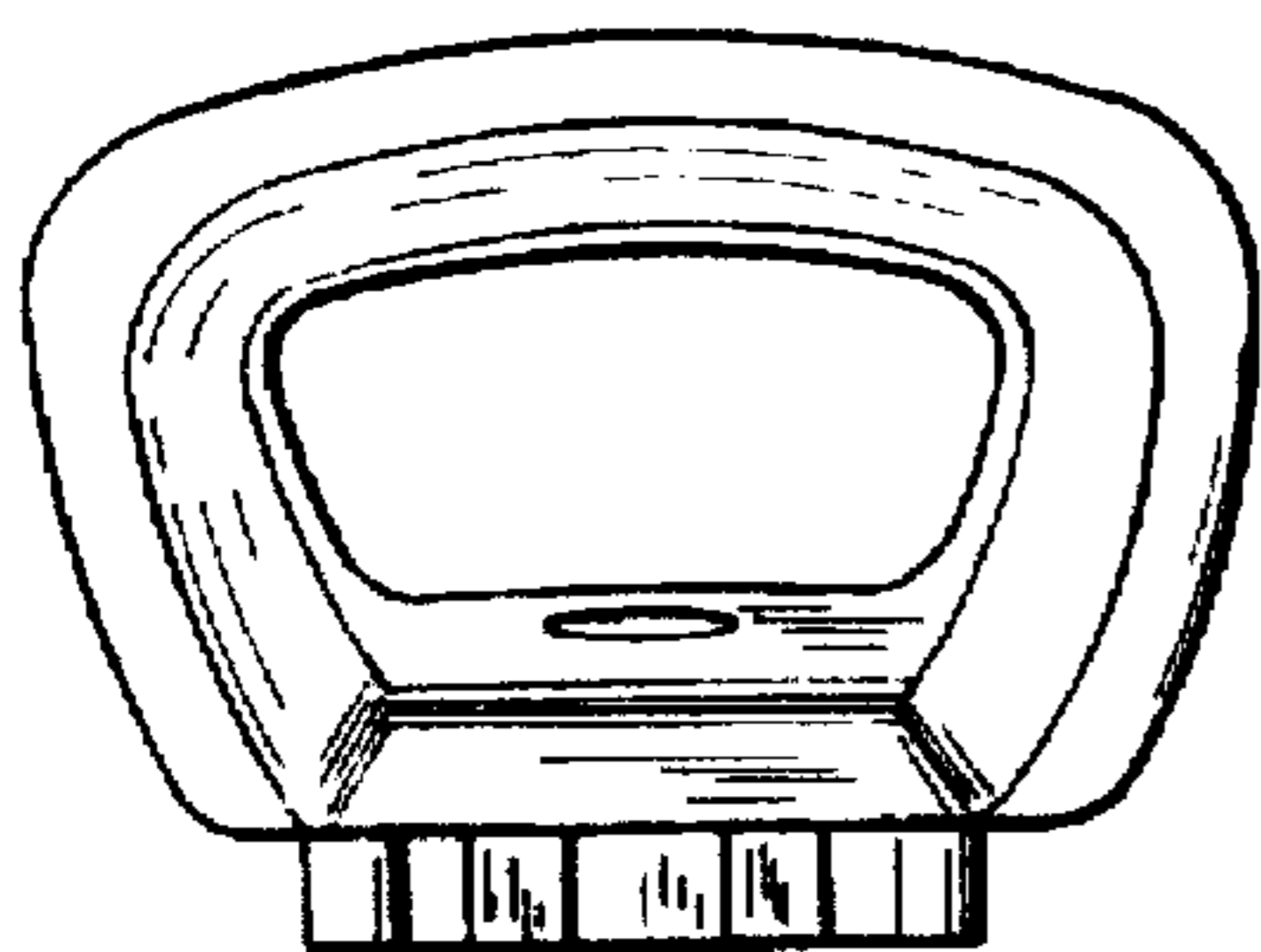


Fig. 4

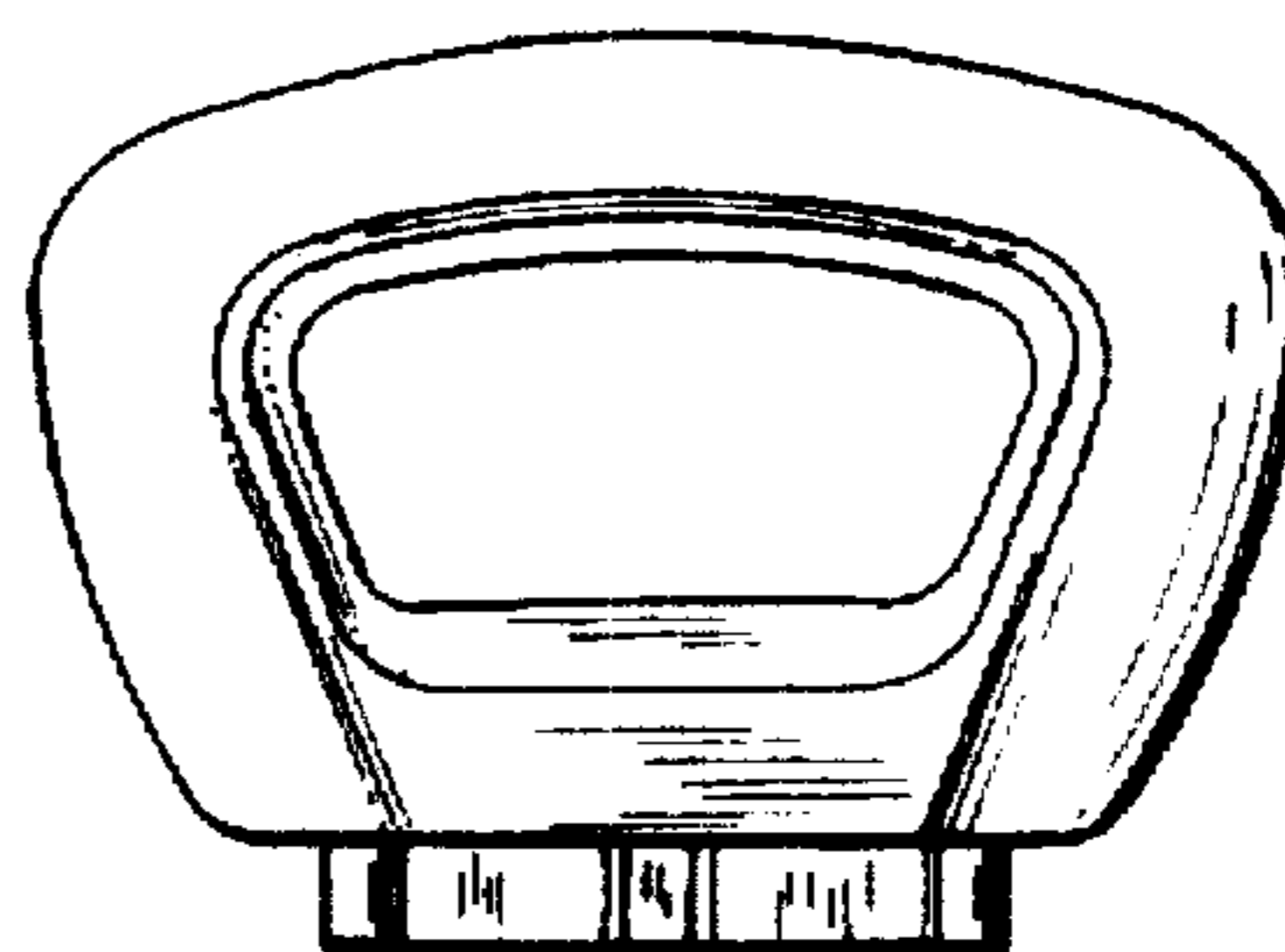


Fig. 5

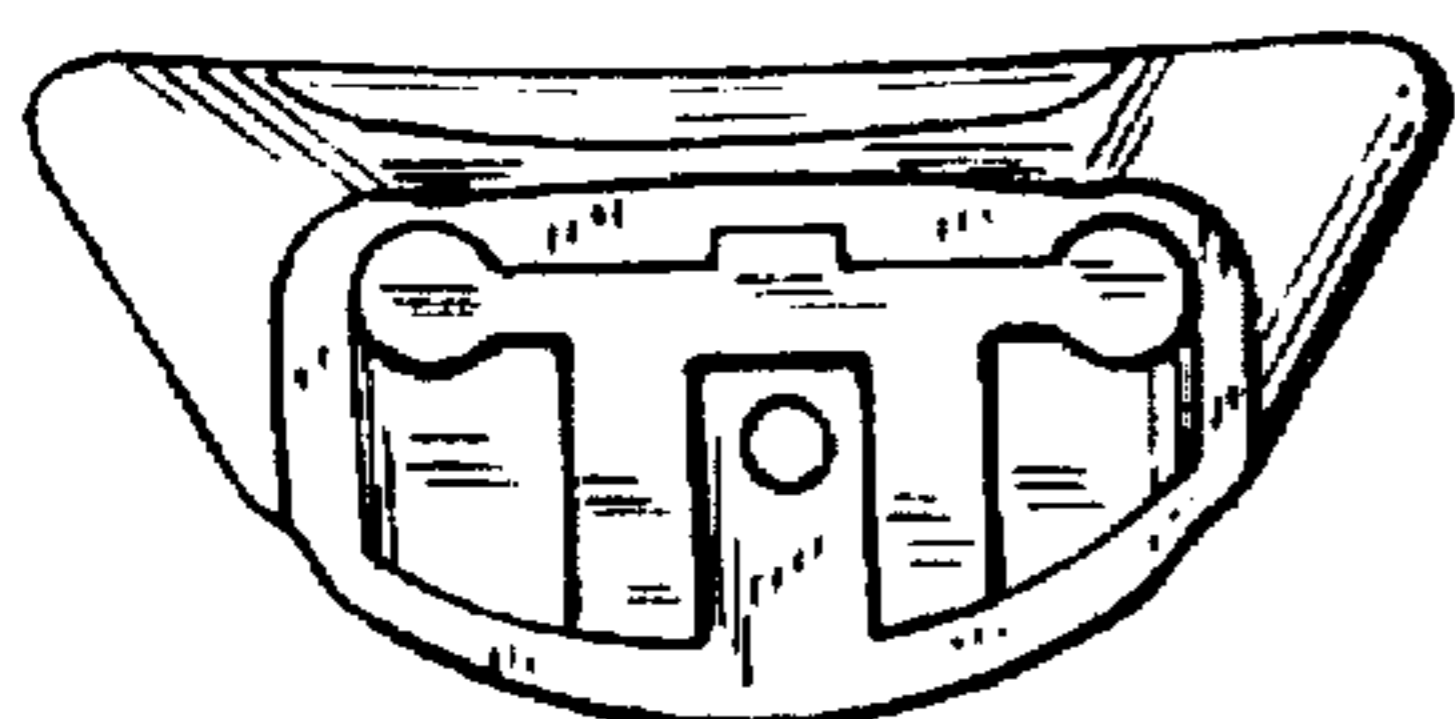


Fig. 6

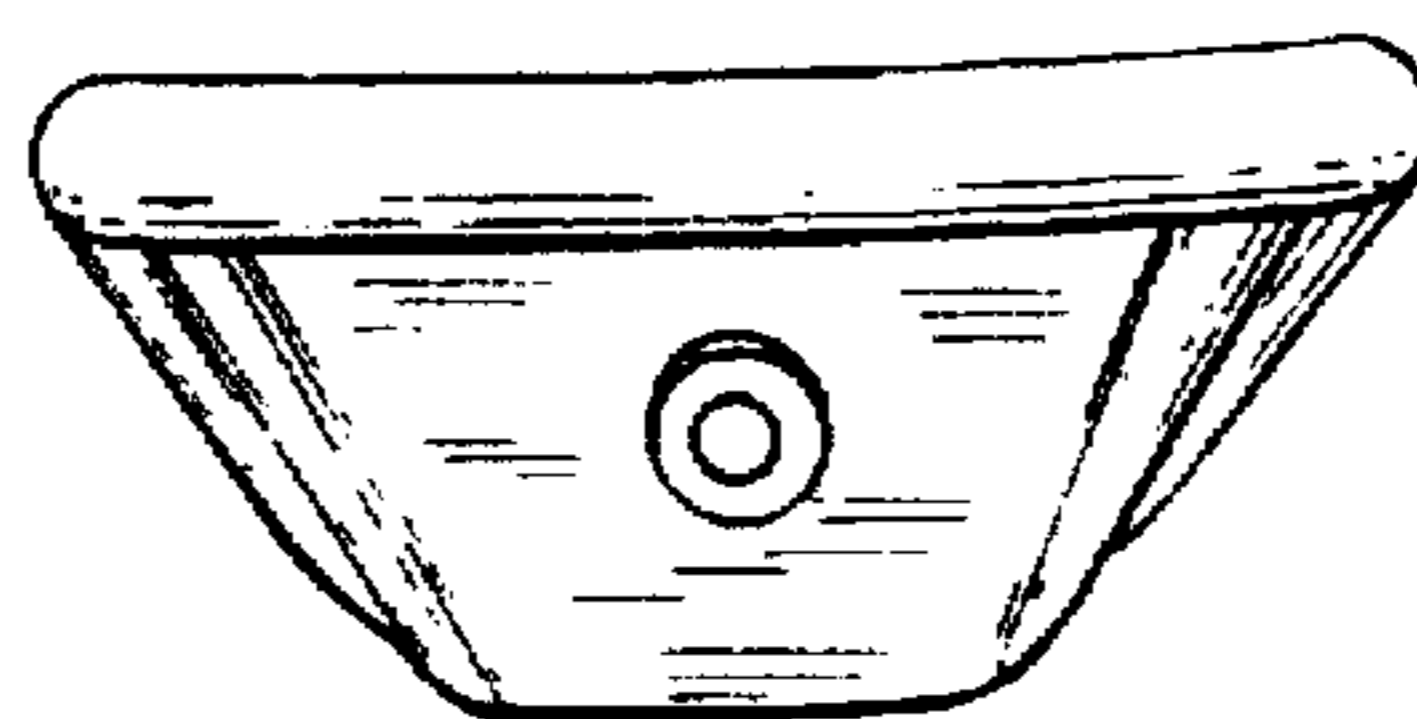


Fig. 7