



US00D391443S

United States Patent [19] Candianides

[11] Patent Number: **Des. 391,443**
[45] Date of Patent: ****Mar. 3, 1998**

[54] **HANDLE FOR COOKING UTENSILS**

[75] Inventor: **Florence Candianides, Annecy Le Vieux, France**

[73] Assignee: **Tefal S.A., Rumilly, France**

[**] Term: **14 Years**

[21] Appl. No.: **65,237**

[22] Filed: **Jan. 27, 1997**

[30] **Foreign Application Priority Data**

Jul. 26, 1996 [FR] France 964393

[51] LOC (6) Cl. **07-02**

[52] U.S. Cl. **D7/393**

[58] Field of Search D7/354-361, 393-395;
D8/107; 16/110 R, 110 A, 114 R, 114 A

[56] **References Cited**

U.S. PATENT DOCUMENTS

D. 232,148 7/1974 Yarrington D7/360

D. 281,050 10/1985 Cesaroni et al. D7/360
D. 348,178 6/1994 Munari D7/393 X

Primary Examiner—Caron D. Veynar
Attorney, Agent, or Firm—Young & Thompson

[57] **CLAIM**

The ornamental design for a handle for cooking utensils, as shown.

DESCRIPTION

FIG. 1 is a top plan view of a handle for cooking utensils, showing my new design;

FIG. 2 is an end elevational view thereof from the bottom of FIG. 1;

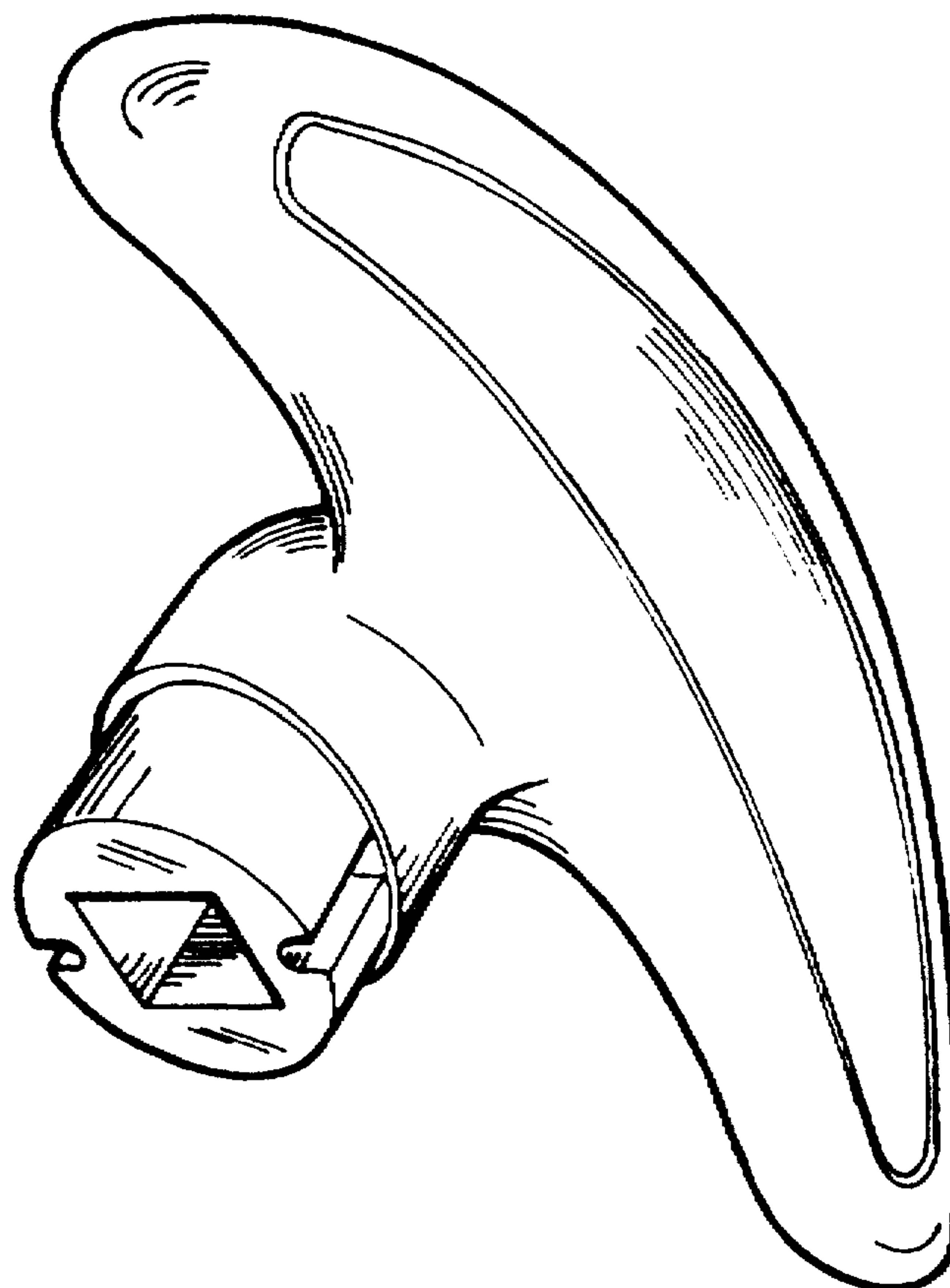
FIG. 3 is a bottom plan view thereof;

FIG. 4 is a top perspective view thereof;

FIG. 5 is a bottom perspective view thereof; and,

FIG. 6 is an end elevational view thereof from the top of FIG. 1.

1 Claim, 6 Drawing Sheets



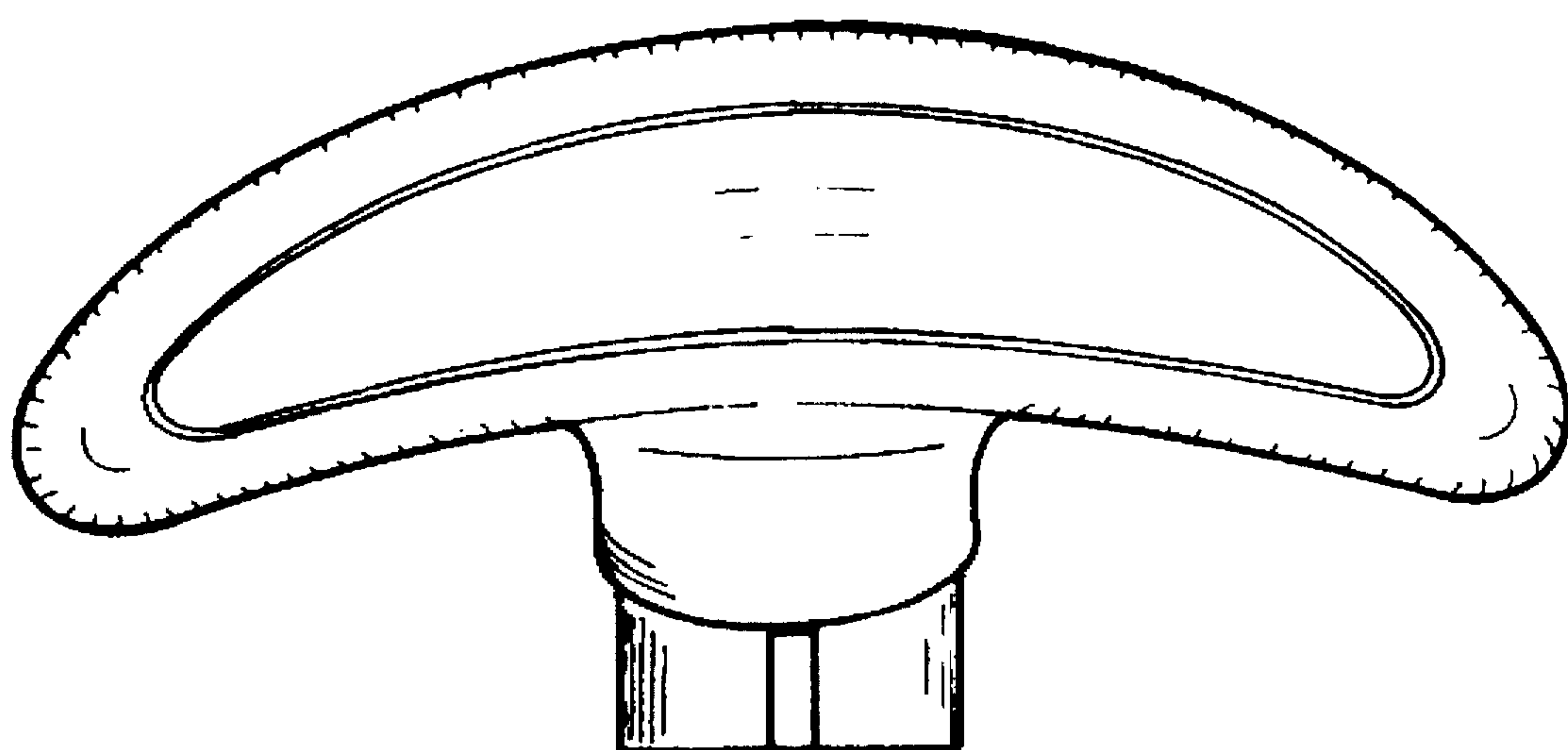


Fig. 1

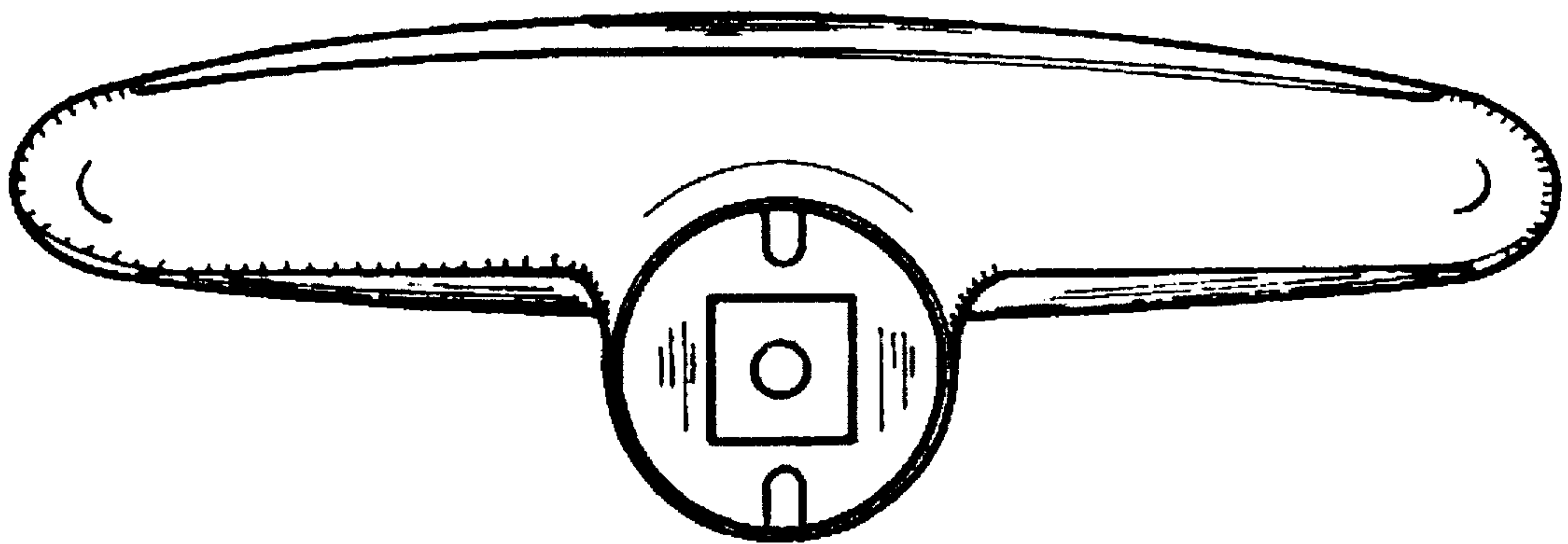


Fig. 2

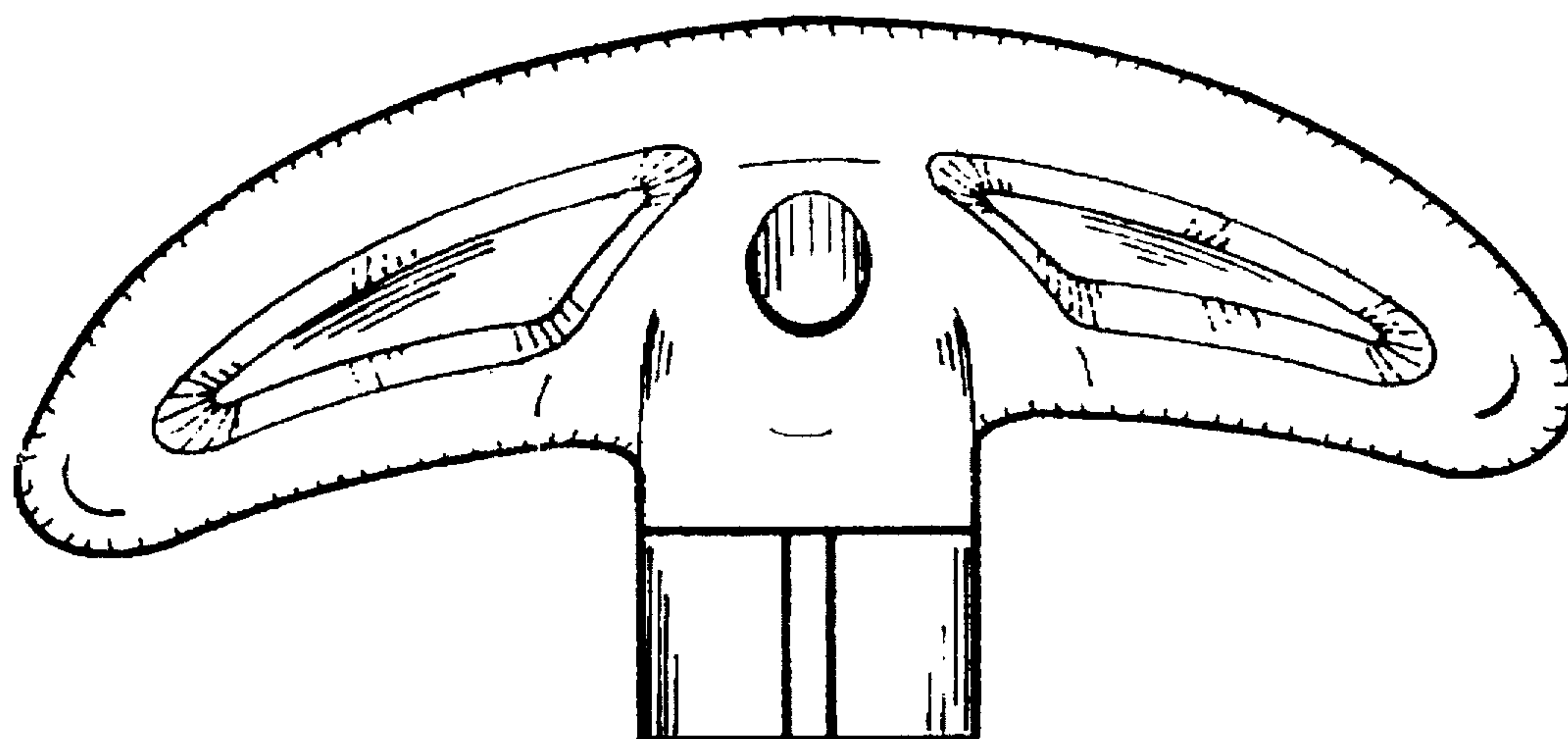


Fig. 3

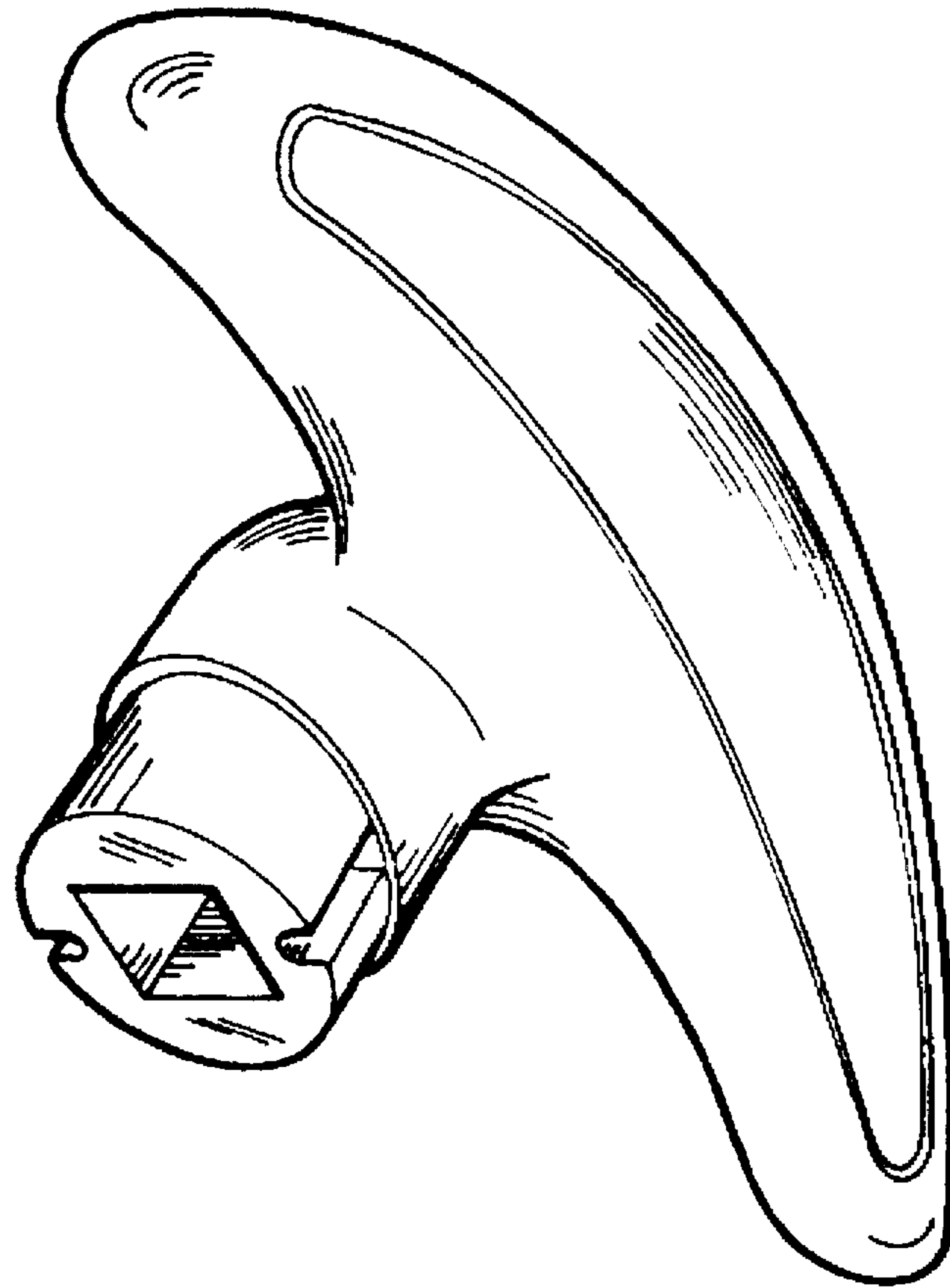


Fig. 4

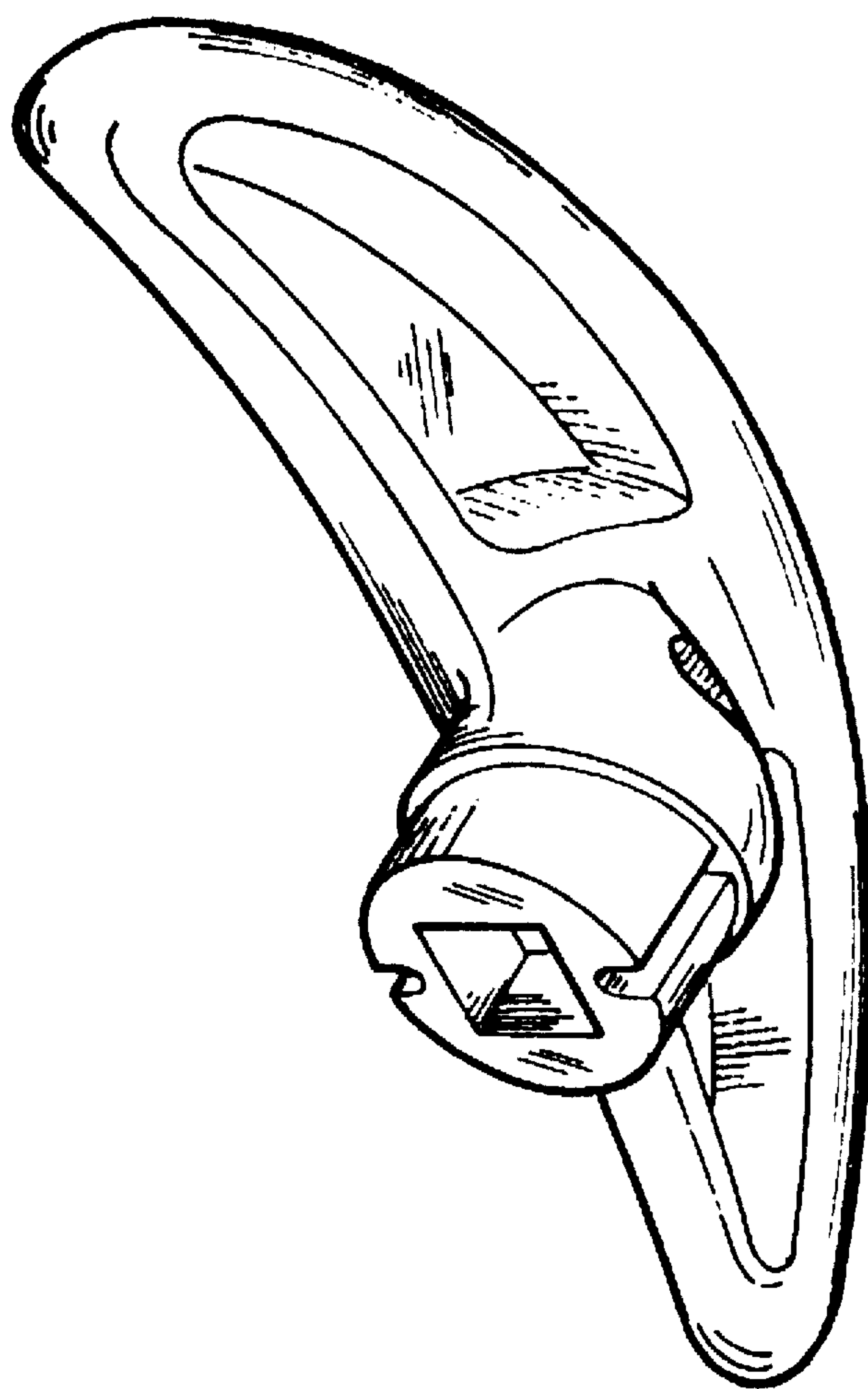


Fig. 5

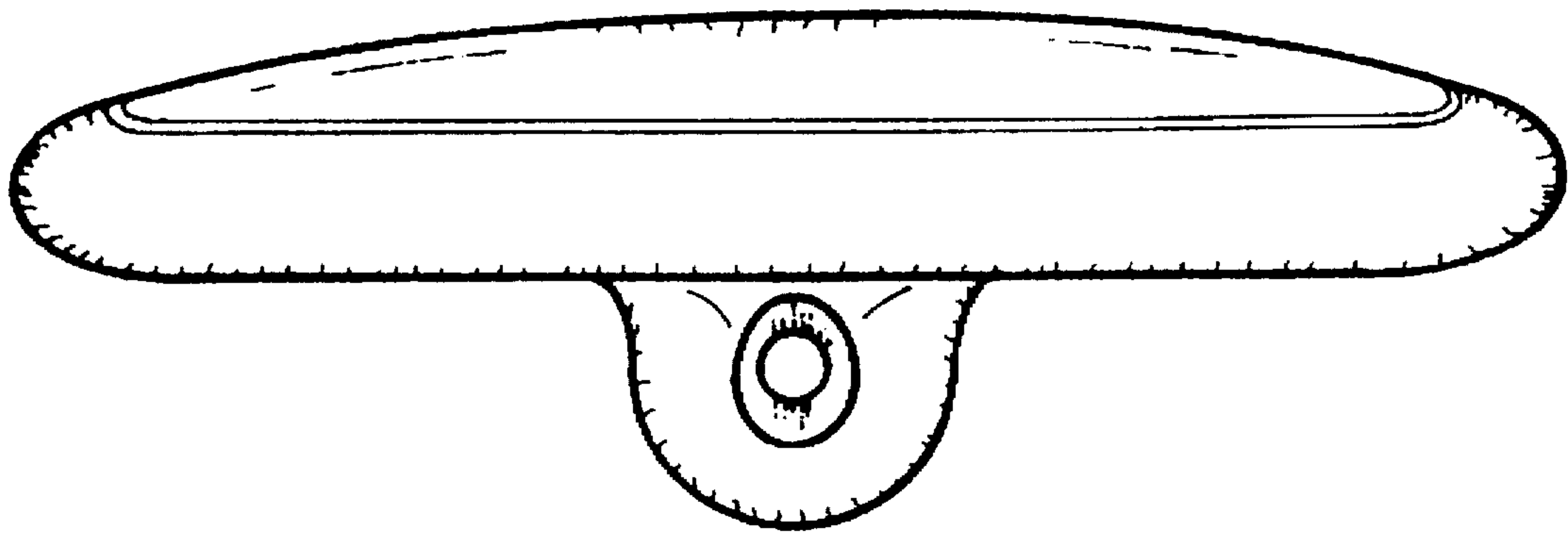


Fig. 6