

US00D391442S

**United States Patent** [19]  
**Sundquist**

[11] **Patent Number: Des. 391,442**

[45] **Date of Patent: \*\*Mar. 3, 1998**

[54] **MIXER FOR FOOD AND DRINKS**

D. 261,719 11/1981 Gibiec ..... D7/376 X  
D. 307,754 5/1990 Osrow et al. .... D7/376 X

[75] **Inventor: Jarl Sundquist, Sollentuna, Sweden**

*Primary Examiner*—Caron D. Veynar  
*Attorney, Agent, or Firm*—Alfred J. Mangels

[73] **Assignee: AB Hälld Maskiner, Kista, Sweden**

[\*\*] **Term: 14 Years**

[57] **CLAIM**

[21] **Appl. No.: 63,655**

The ornamental design for a mixer for food and drinks, as shown and described.

[22] **Filed: Dec. 12, 1996**

**DESCRIPTION**

[30] **Foreign Application Priority Data**

Jun. 12, 1996 [SE] Sweden ..... 96-1332

FIG. 1 is a top front perspective view of a mixer for food and drinks in accordance with my design;

[51] **LOC (6) Cl. .... 31-00**

FIG. 2 is a bottom rear perspective view thereof;

[52] **U.S. Cl. .... D7/378; D7/376**

FIG. 3 is a front elevational view thereof;

[58] **Field of Search .... D7/372, 376, 377,  
D7/378; 366/129, 197, 205**

FIG. 4 is a right side elevational view thereof;

FIG. 5 is a rear elevational view thereof;

FIG. 6 is a top plan view thereof; and,

FIG. 7 is a bottom plan view thereof.

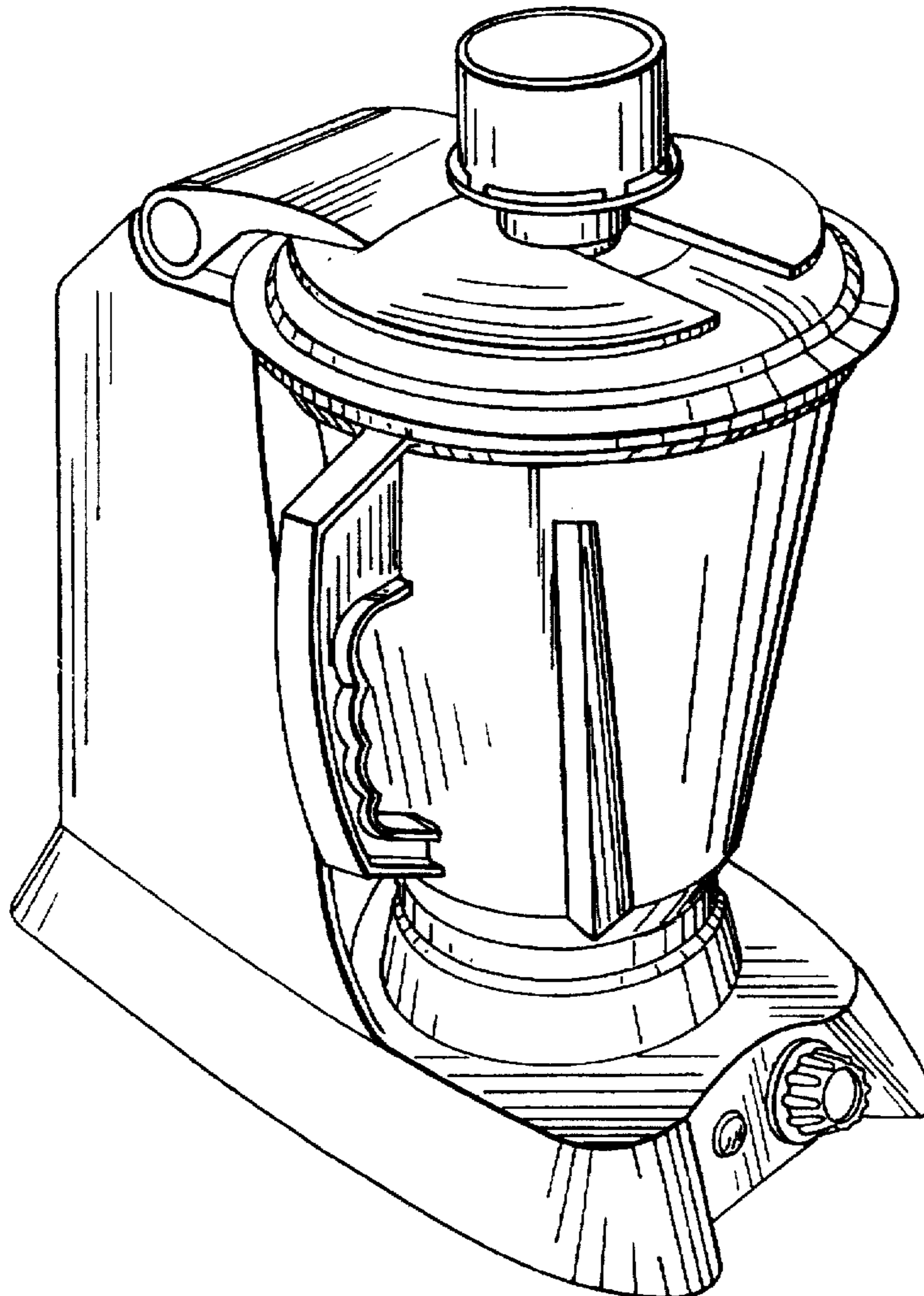
[56] **References Cited**

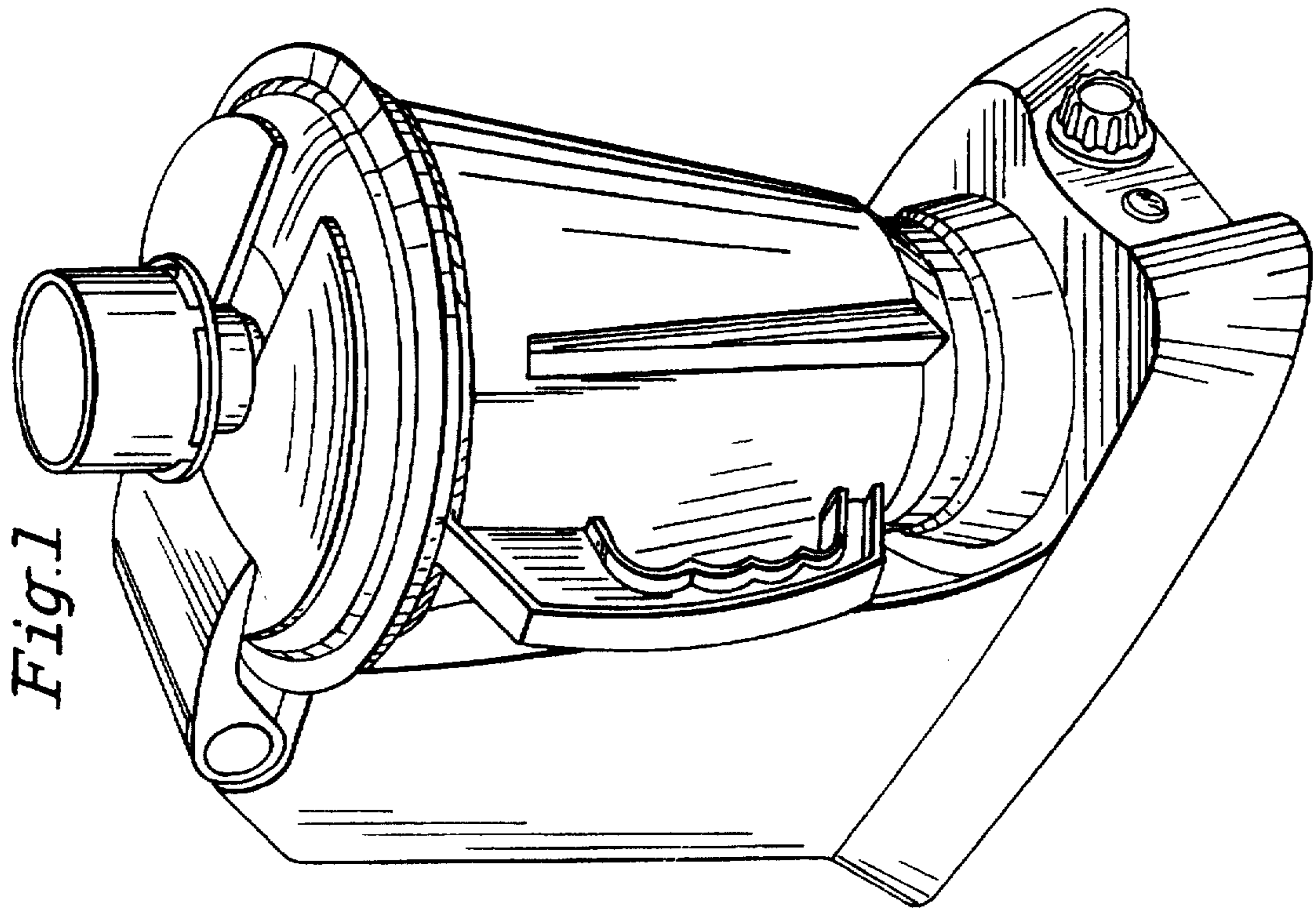
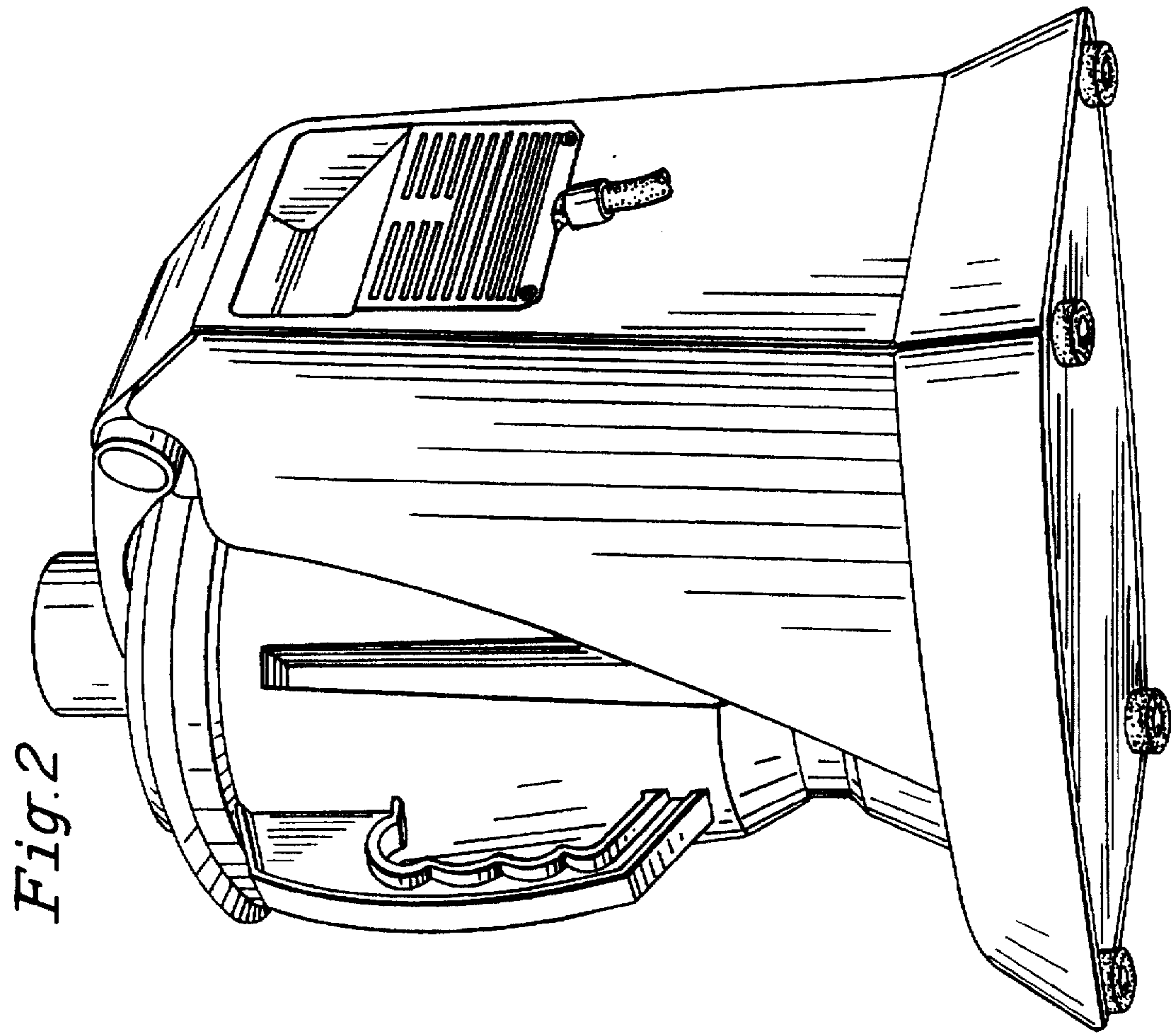
The side not shown is the mirror image of the side shown.

**U.S. PATENT DOCUMENTS**

D. 191,152 8/1961 Rawson, Jr. et al. .... D7/378

**1 Claim, 4 Drawing Sheets**





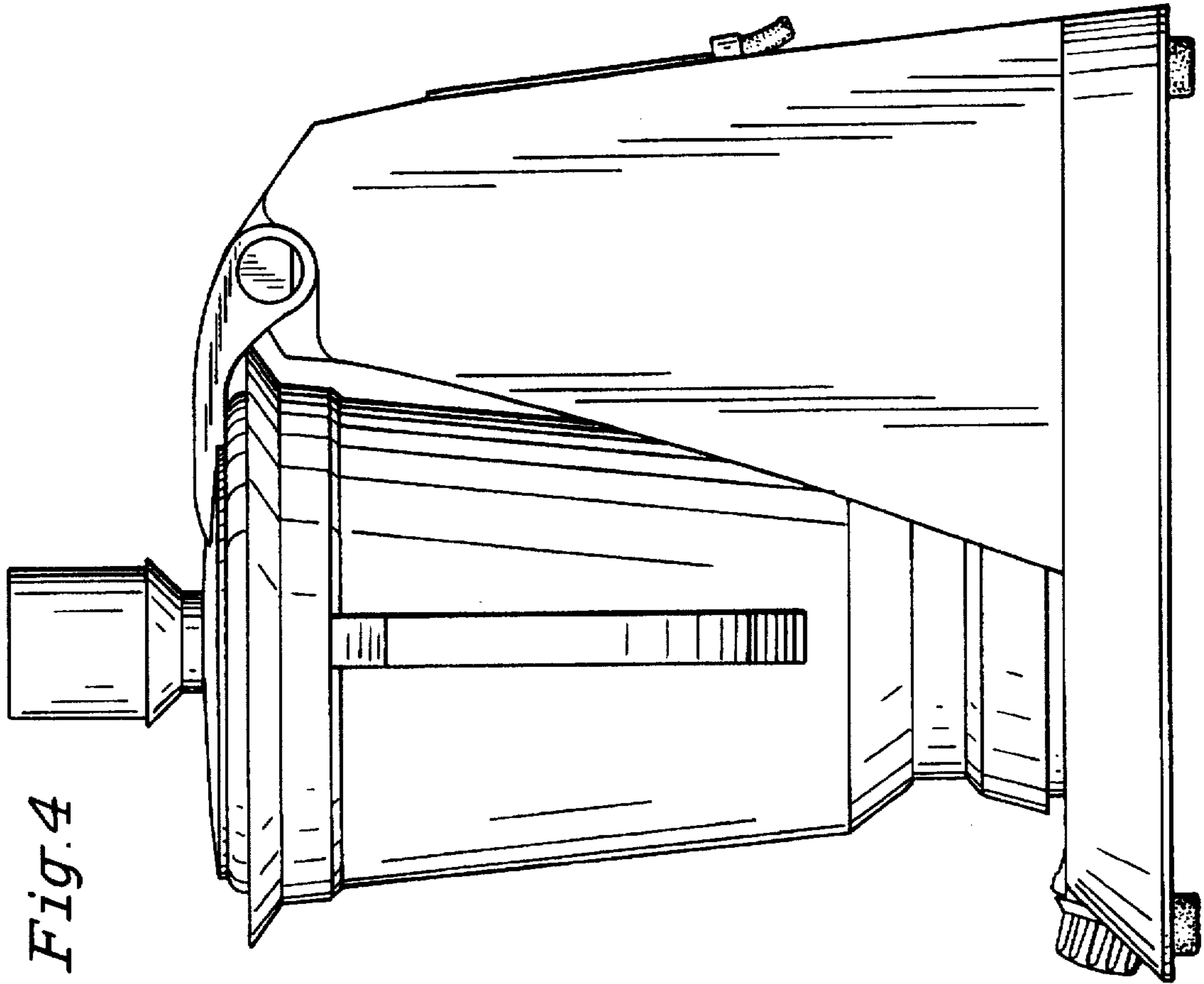


Fig. 4

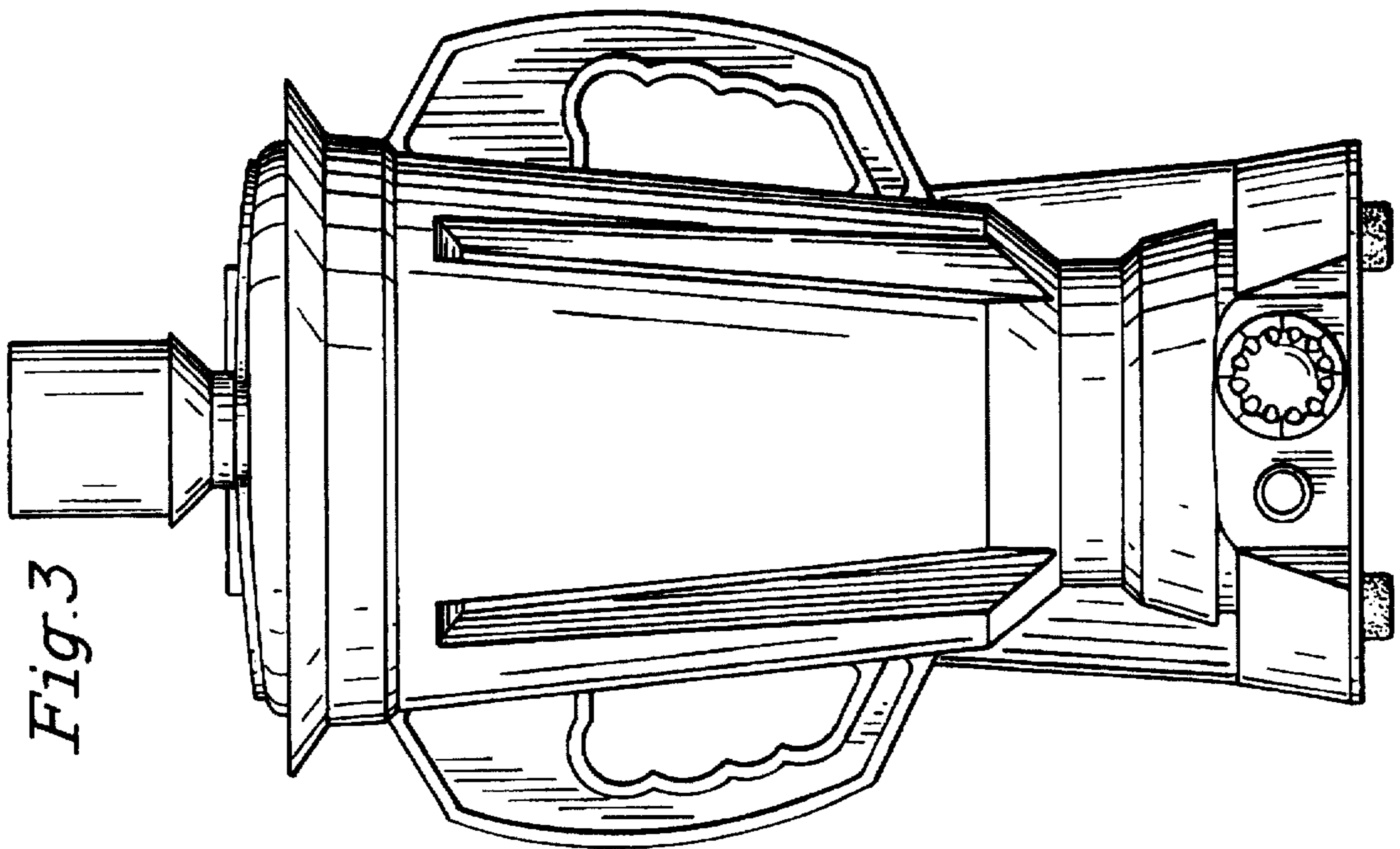
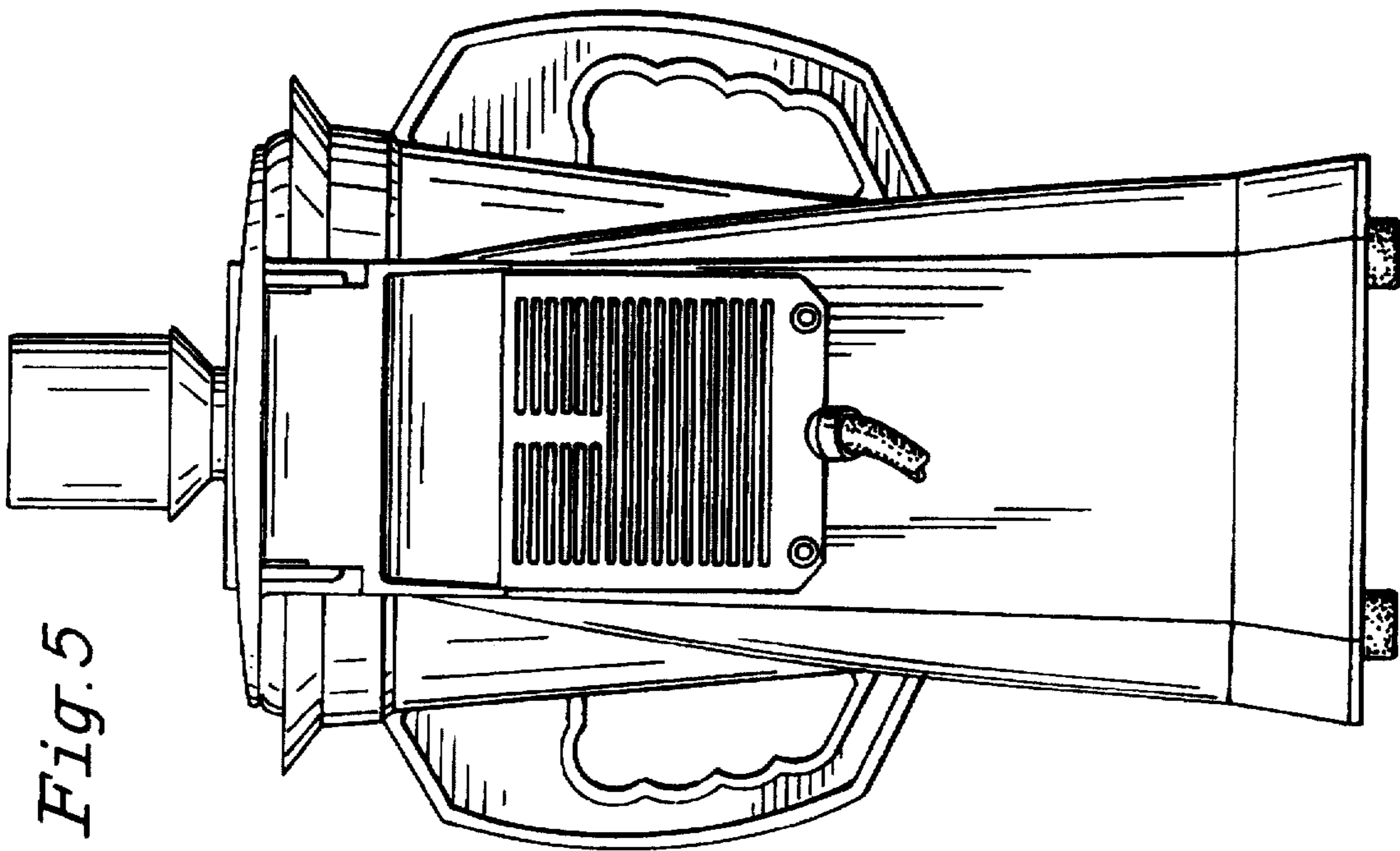
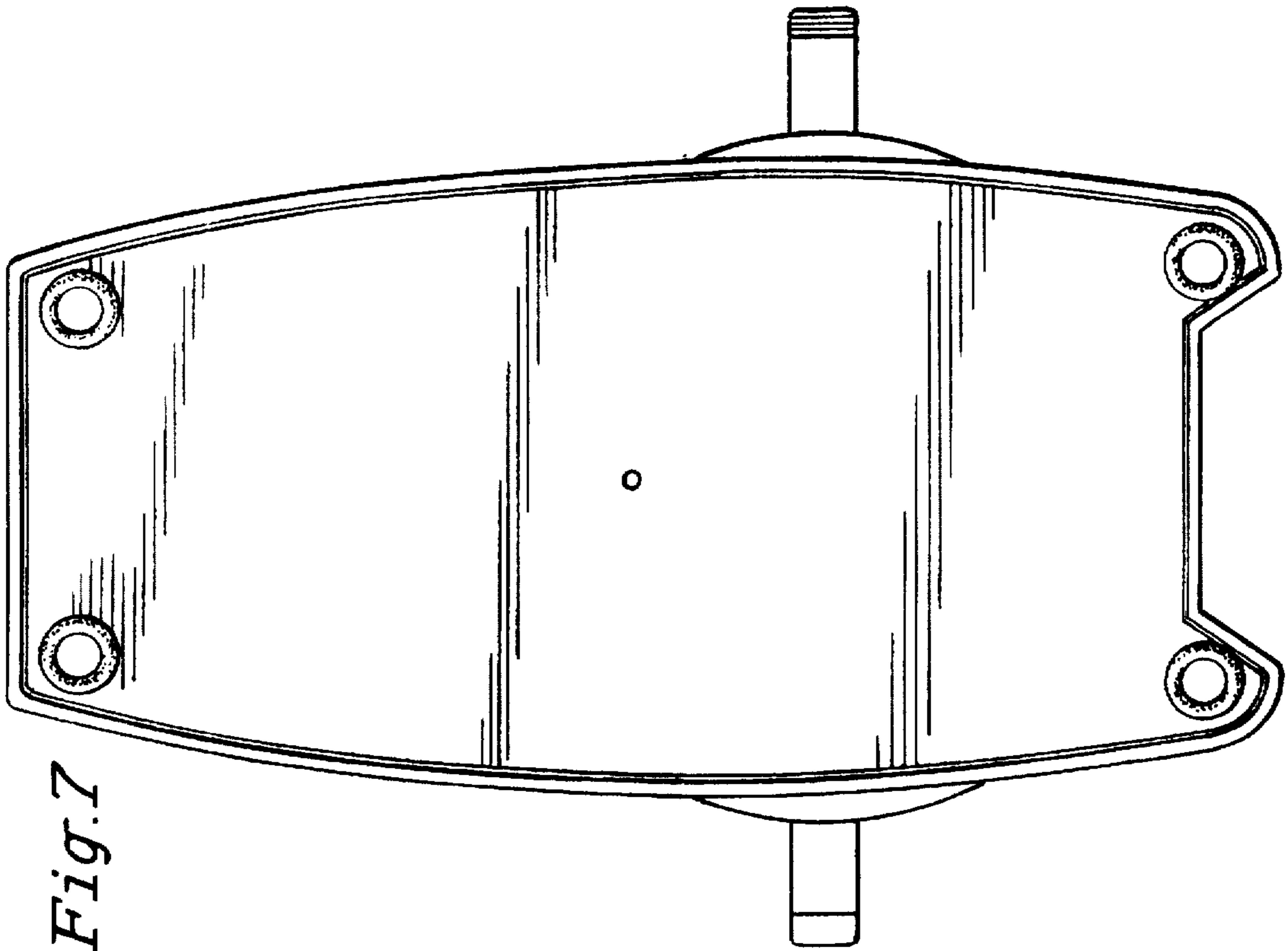


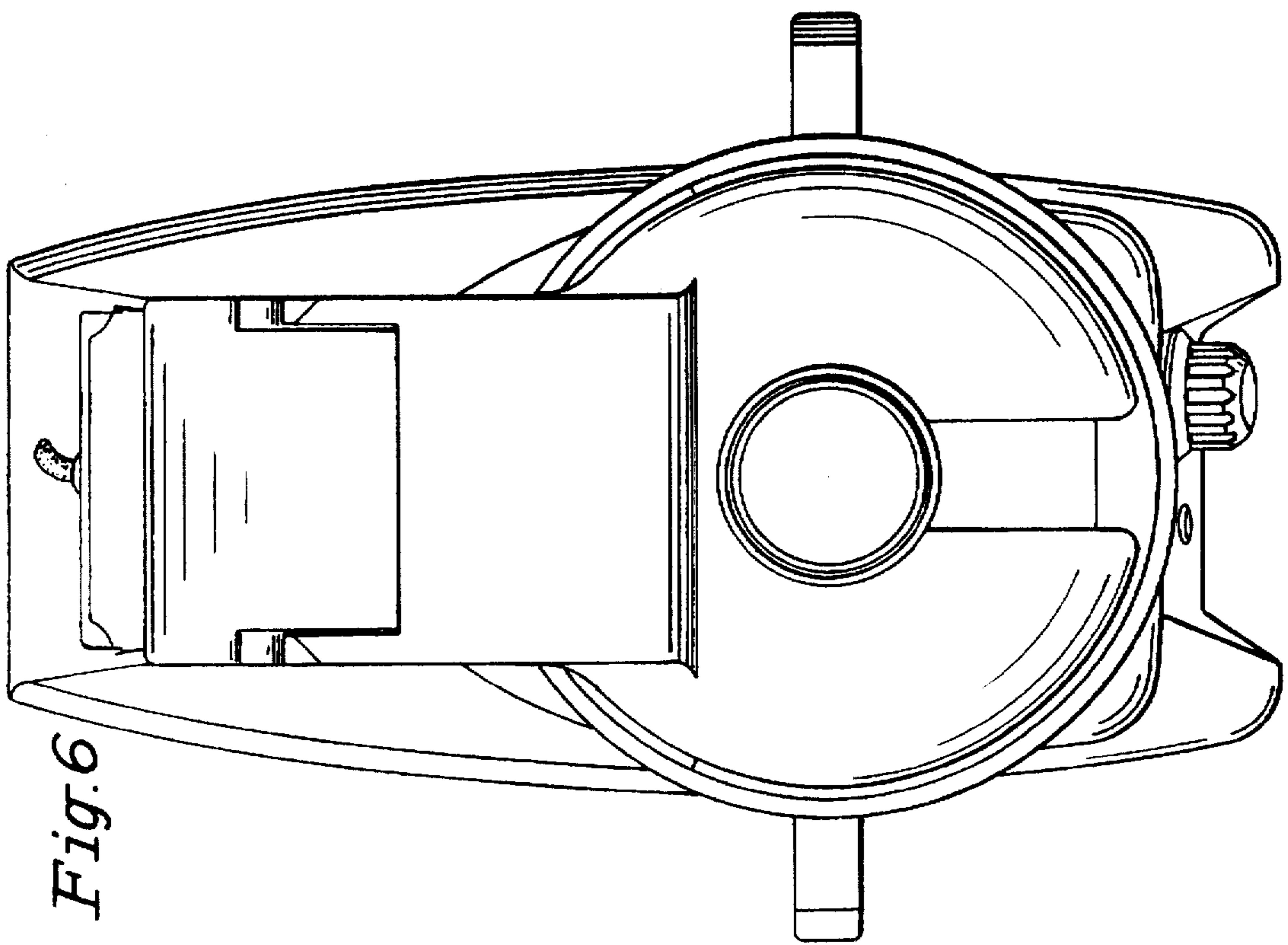
Fig. 3



*Fig. 5*



*Fig. 7*



*Fig. 6*