



US00D391441S

United States Patent [19]

Tanaka et al.

[11] Patent Number: Des. 391,441

[45] Date of Patent: **Mar. 3, 1998

[54] DRY MILL

[75] Inventors: **Yosuke Tanaka**, Hyogo; **Toshio Hara**, Osaka; **Kazuo Takada**, Nara, all of Japan

[73] Assignee: **Sanyo Electric Co., Ltd.**, Osaka, Japan

[**] Term: 14 Years

[21] Appl. No.: 55,376

[22] Filed: Jun. 5, 1996

[30] Foreign Application Priority Data

Dec. 25, 1995 [JP] Japan 7-39326

[51] LOC (6) Cl. 31-00

[52] U.S. Cl. D7/372

[58] Field of Search D7/372, 373, 374, D7/384; 241/277, 279, 83, 68, 97, 100, DIG. 17

[56] References Cited

U.S. PATENT DOCUMENTS

D. 242,892 1/1977 Brown et al. D7/372
D. 248,080 6/1978 Maejima D7/373

D. 248,159 6/1978 Maejima D7/373
D. 292,260 10/1987 Barrault D7/384
D. 300,799 4/1989 Viancin D7/384
D. 353,075 12/1994 Littmann et al. D7/373

FOREIGN PATENT DOCUMENTS

539092 7/1953 Japan .
792938 4/1986 Japan .

Primary Examiner—Ruth McInroy
Attorney, Agent, or Firm—Loeb & Loeb LLP

[57] CLAIM

The ornamental design for dry mill, as shown and described.

DESCRIPTION

FIG. 1 is a perspective view of a dry mill showing our new design;

The detail shown in broken lines is for illustrative purposes only and forms no part of the claimed design;

FIG. 2 is a right elevational view thereof;

FIG. 3 is a left elevational view thereof;

FIG. 4 is a top plan view thereof;

FIG. 5 is a bottom plan view thereof;

FIG. 6 is a rear elevational view thereof; and,

FIG. 7 is a front elevational view thereof.

1 Claim, 6 Drawing Sheets

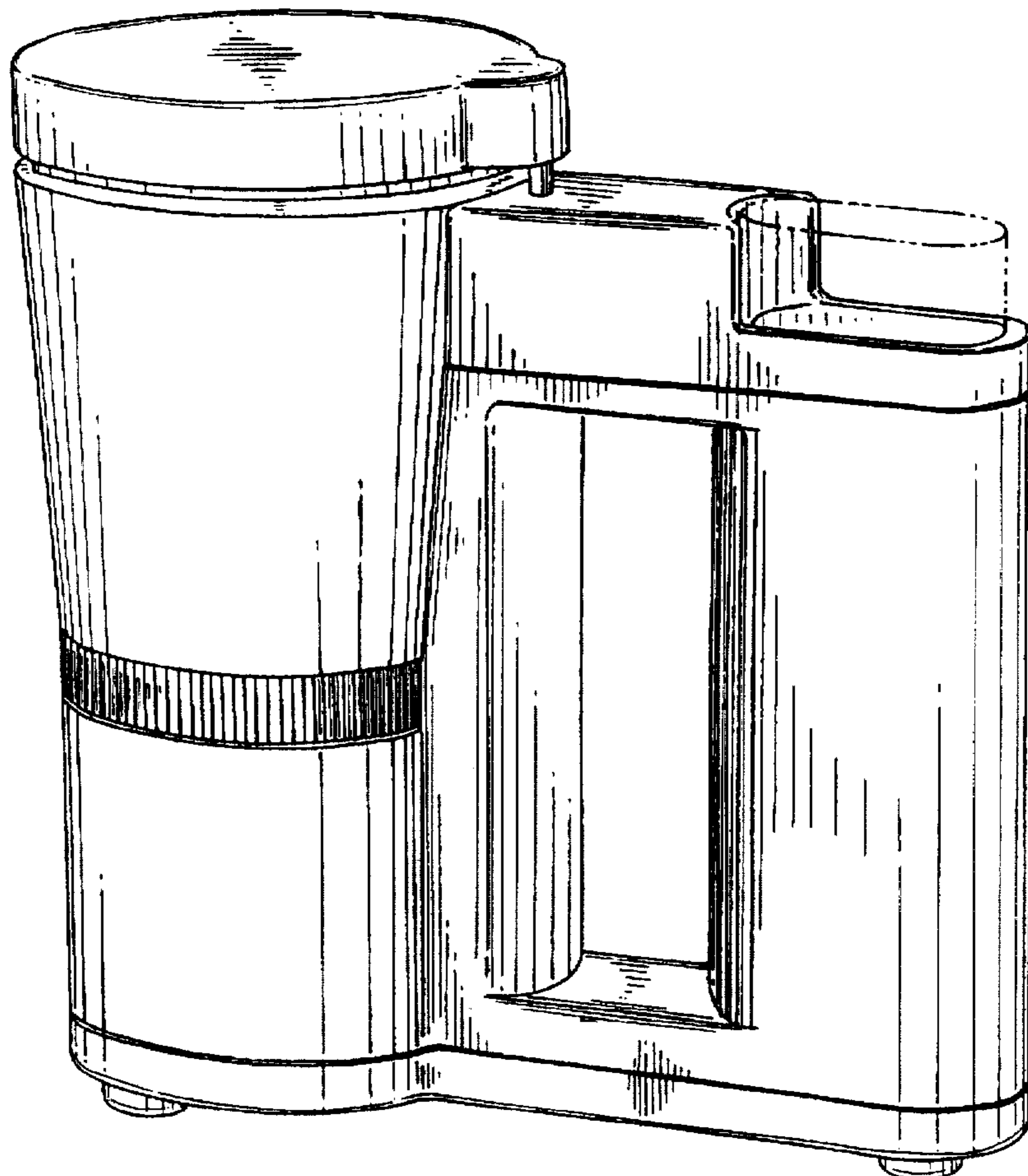


FIG. 1

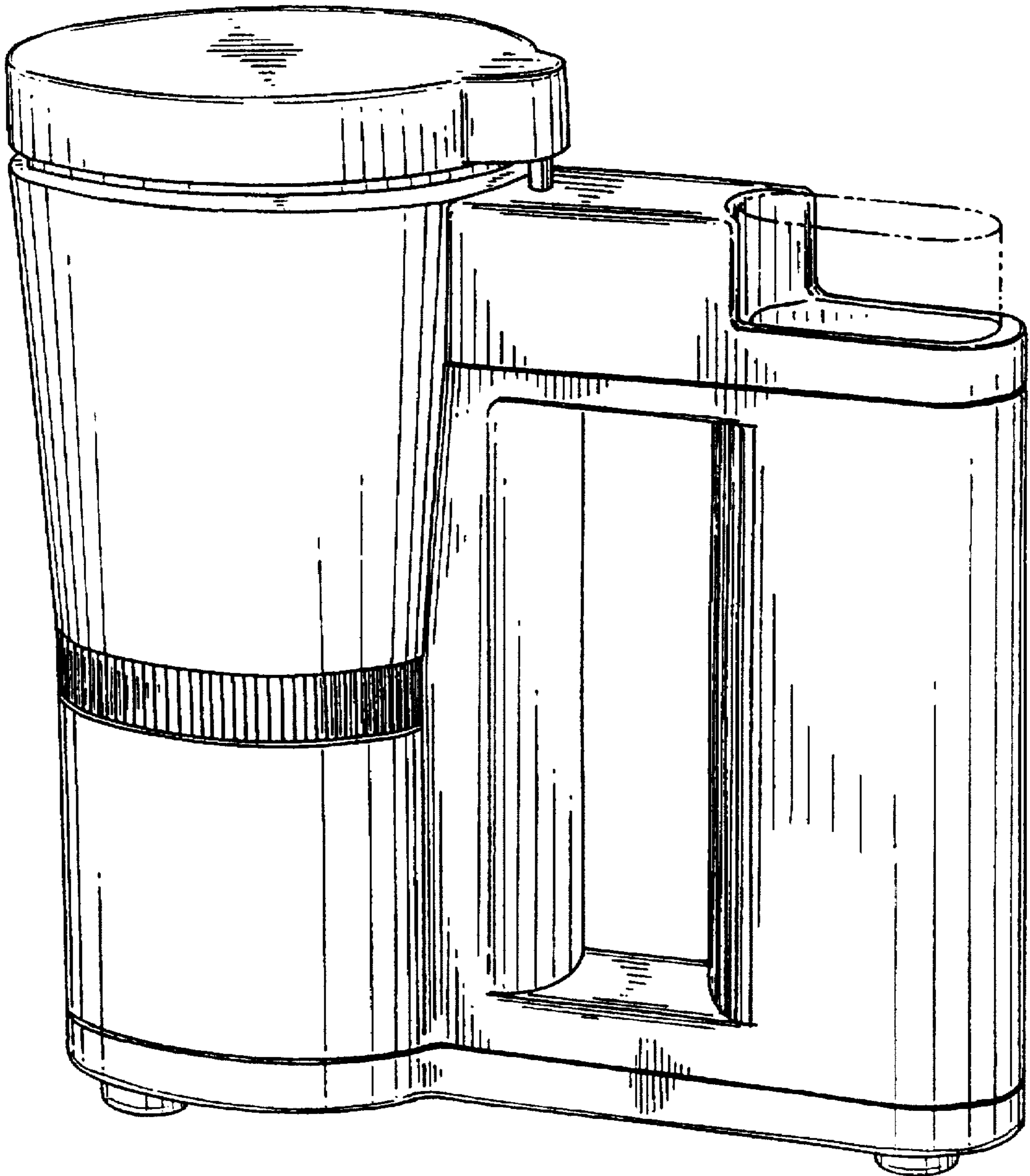


FIG. 2

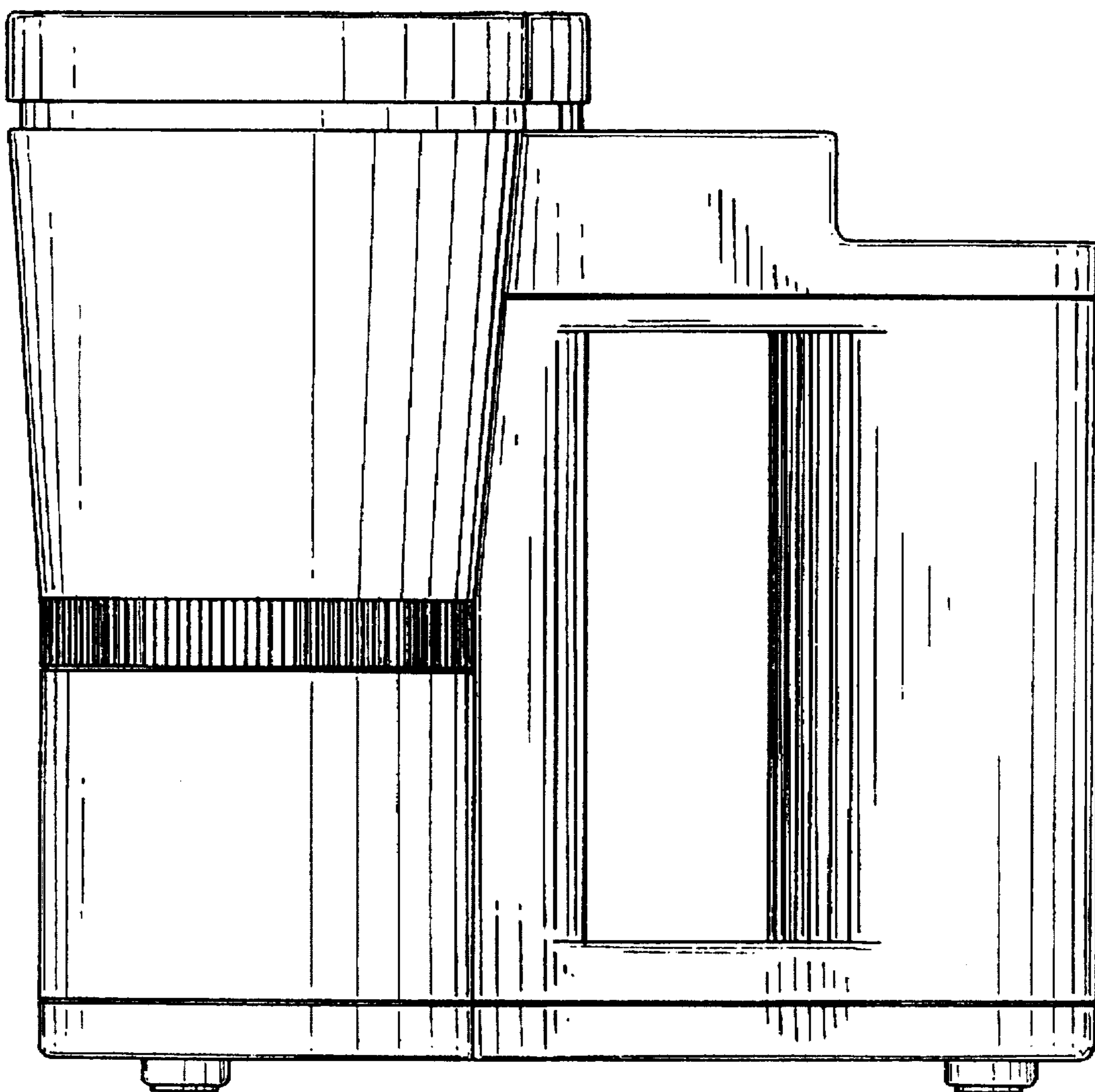


FIG. 3

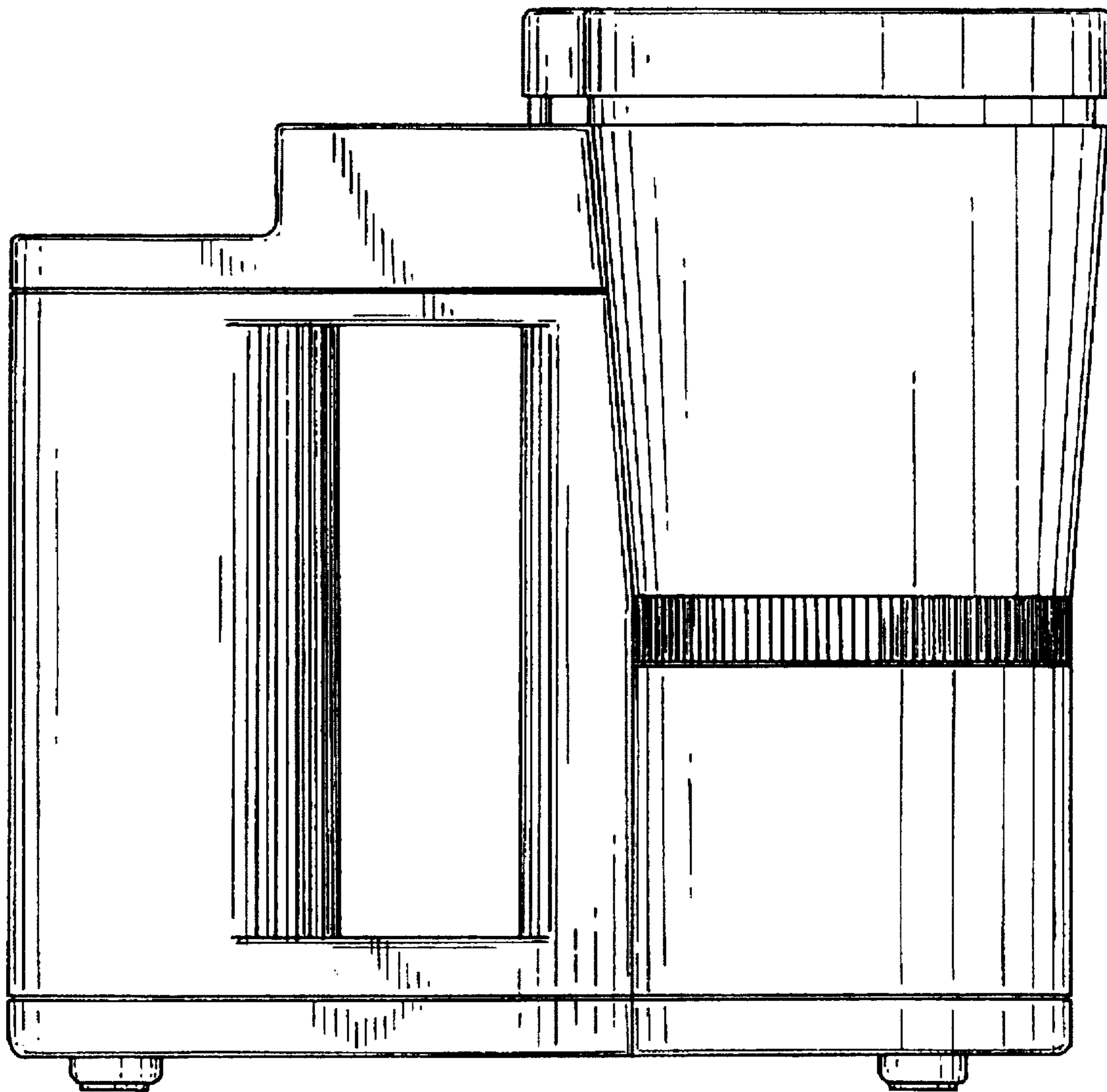


FIG. 4

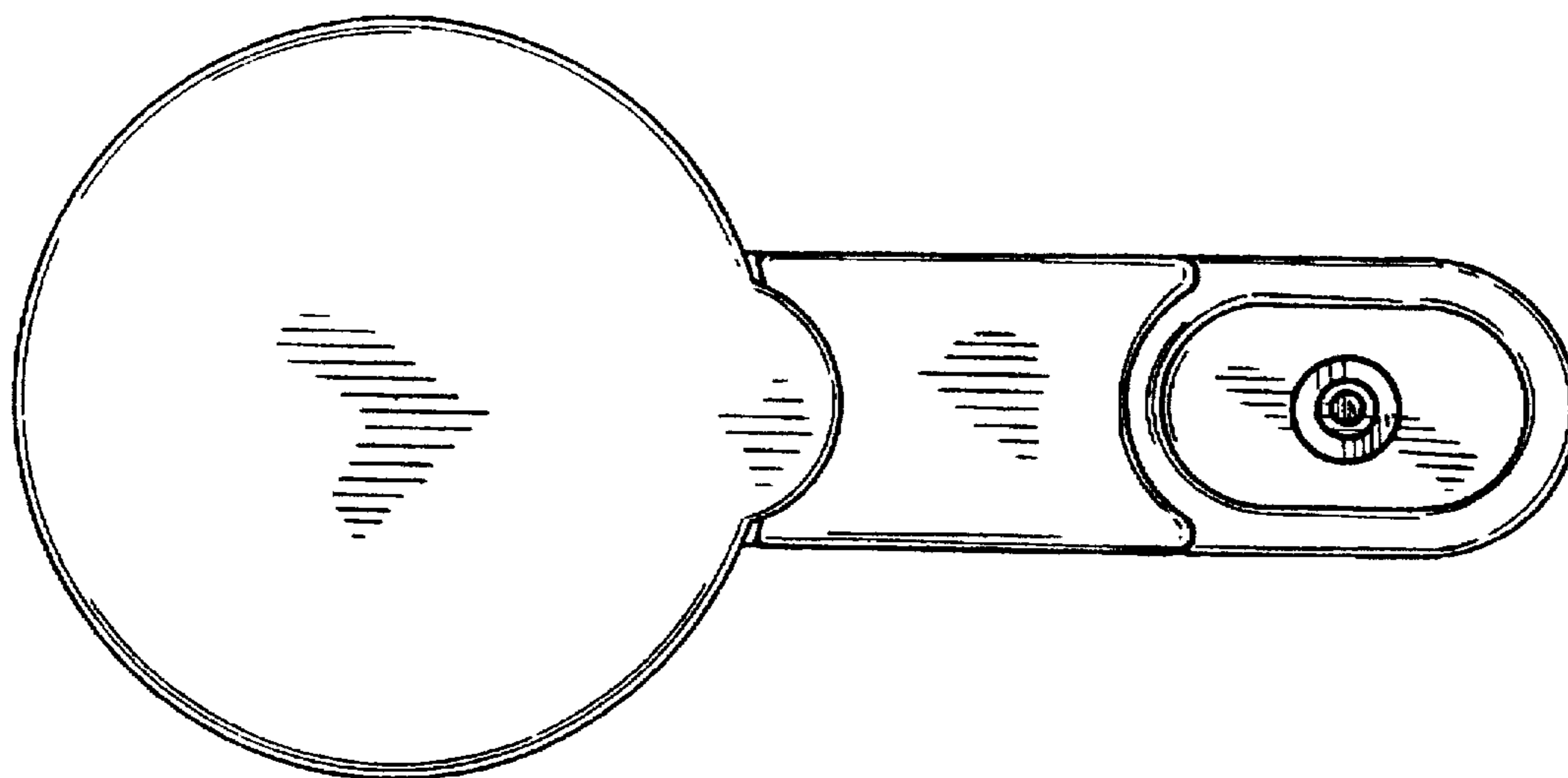


FIG. 5

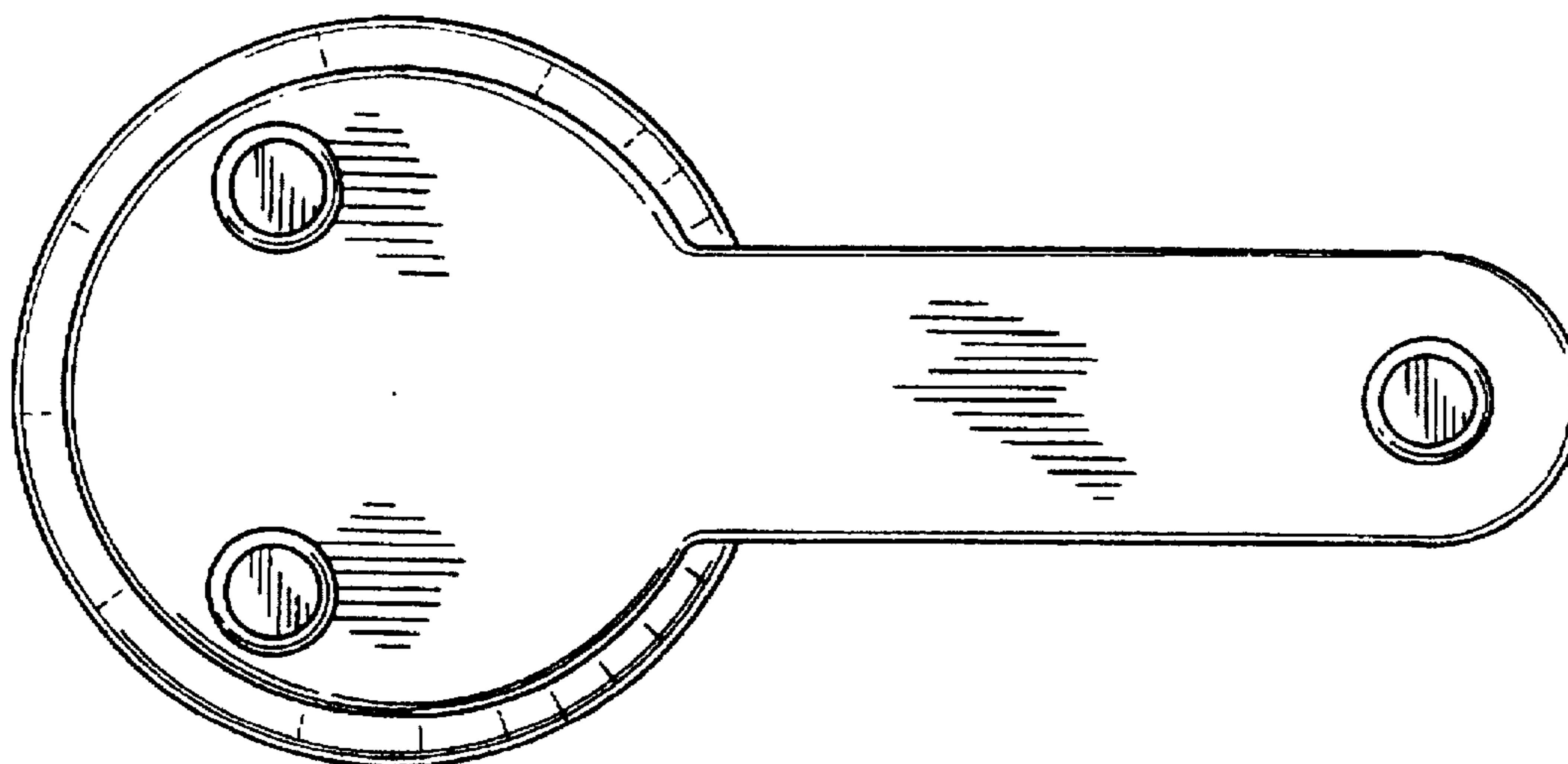


FIG. 6

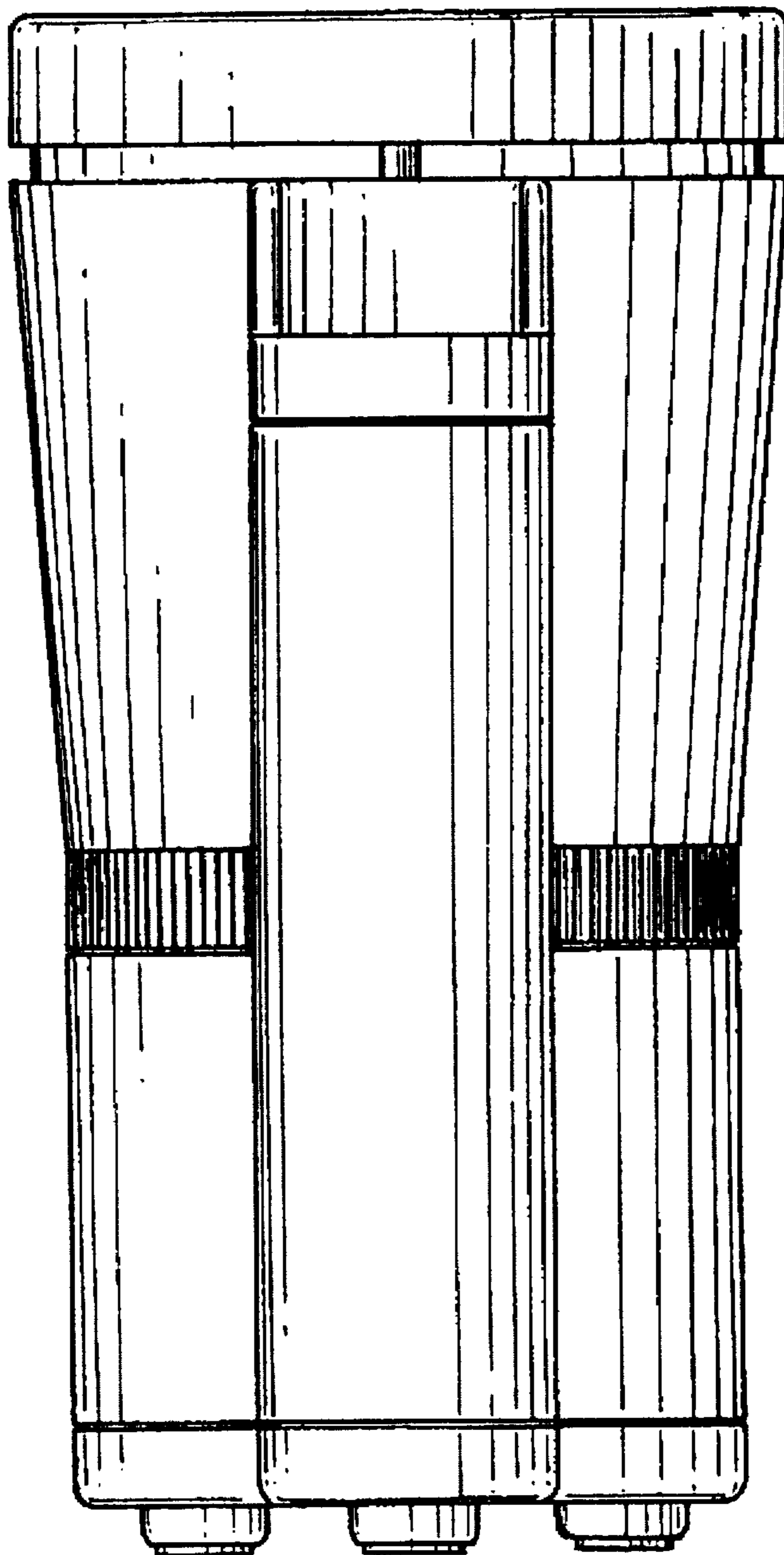


FIG. 7

