

US00D391438S

United States Patent [19]

Stewart et al.

[11] Patent Number: **Des. 391,438**

[45] Date of Patent: ****Mar. 3, 1998**

[54] **COMPACT DISK ORGANIZER**

[75] Inventors: **Michael A. Stewart**, Minnetonka;
Steven L. Sandahl, Arden Hills, both
of Minn.

[73] Assignee: **Sunrise Packaging, Inc.**, Blaine, Minn.

[**] Term: **14 Years**

[21] Appl. No.: **63,266**

[22] Filed: **Dec. 3, 1996**

[51] LOC (6) Cl. **06-04**

[52] U.S. Cl. **D6/634**

[58] Field of Search D6/634, 635, 632,
D6/407, 631; 206/308-312; 312/9.2, 9.9,
9.48, 9.55, 9.64, 9.67, 9.53, 328

[56] **References Cited**

U.S. PATENT DOCUMENTS

| | | | | |
|------------|---------|------------------|-------|-------------|
| D. 379,131 | 5/1997 | Ohta | | D6/634 |
| 4,875,743 | 10/1989 | Gelardi et al. | | 206/309 X |
| 5,099,995 | 3/1992 | Karakane et al. | | 206/309 X |
| 5,332,086 | 7/1994 | Chuang | | 206/308.3 X |
| 5,617,949 | 4/1997 | de Koning et al. | | 206/308.3 X |

Primary Examiner—Doris V. Coles
Assistant Examiner—Catherine R. Oliver
Attorney, Agent, or Firm—Kinney & Lange, P.A.

[57] **CLAIM**

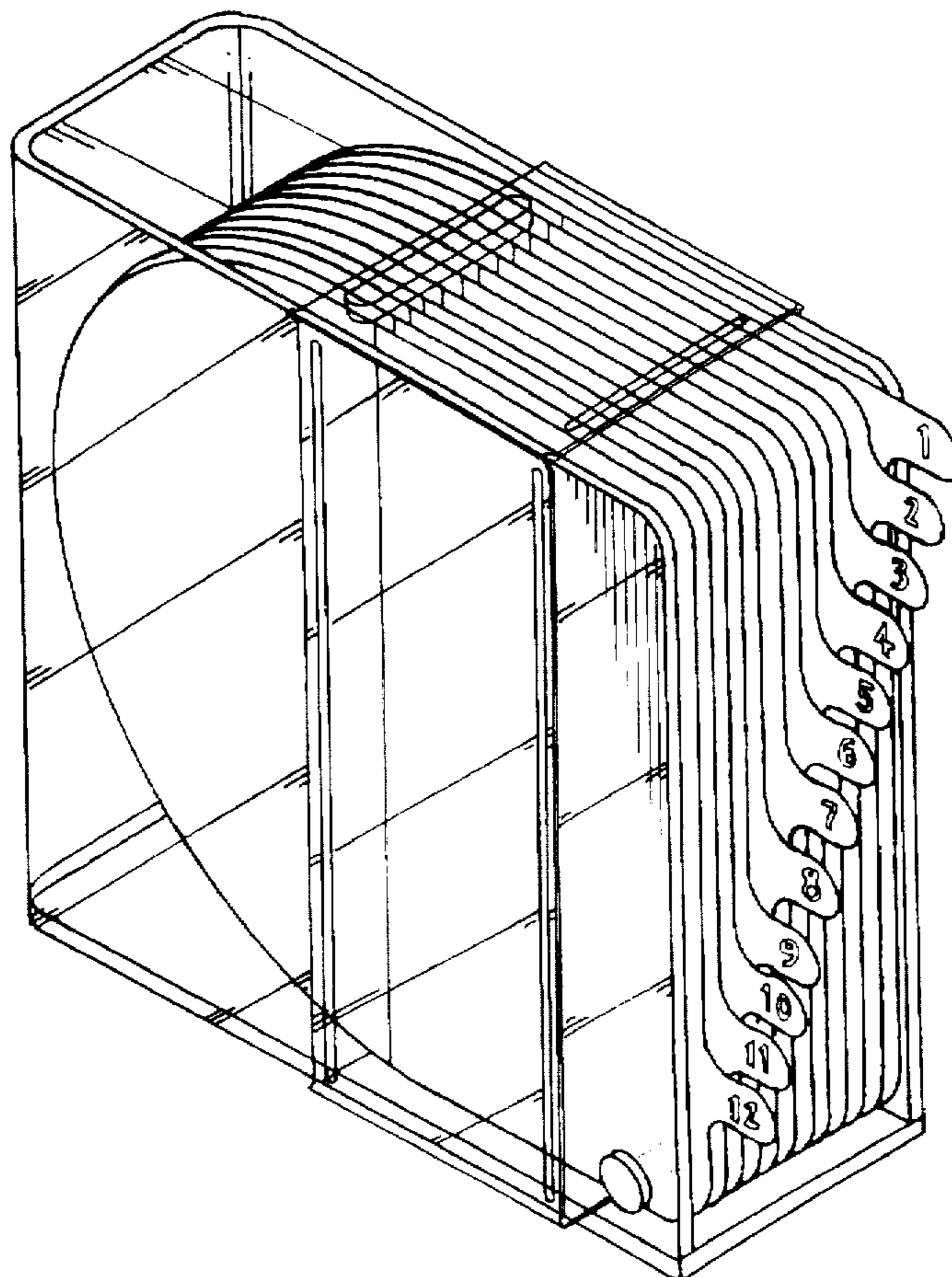
The ornamental design for a compact disk organizer, as shown and described.

DESCRIPTION

FIG. 1 is a perspective view of the compact disk organizer in the closed position;
FIG. 2 is a top plan view thereof;
FIG. 3 is a right side view thereof;
FIG. 4 is a rear elevational view thereof;
FIG. 5 is a front elevational view thereof;
FIG. 6 is a left side view thereof;
FIG. 7 is a bottom plan view thereof; and,
FIG. 8 is a perspective view shown in an open position, with the double sided compact disk pocket No. 1 in the extended position.

The broken line showing of environment in FIG. 8 is for illustrative purposes only and forms no part of the claimed design.

1 Claim, 4 Drawing Sheets



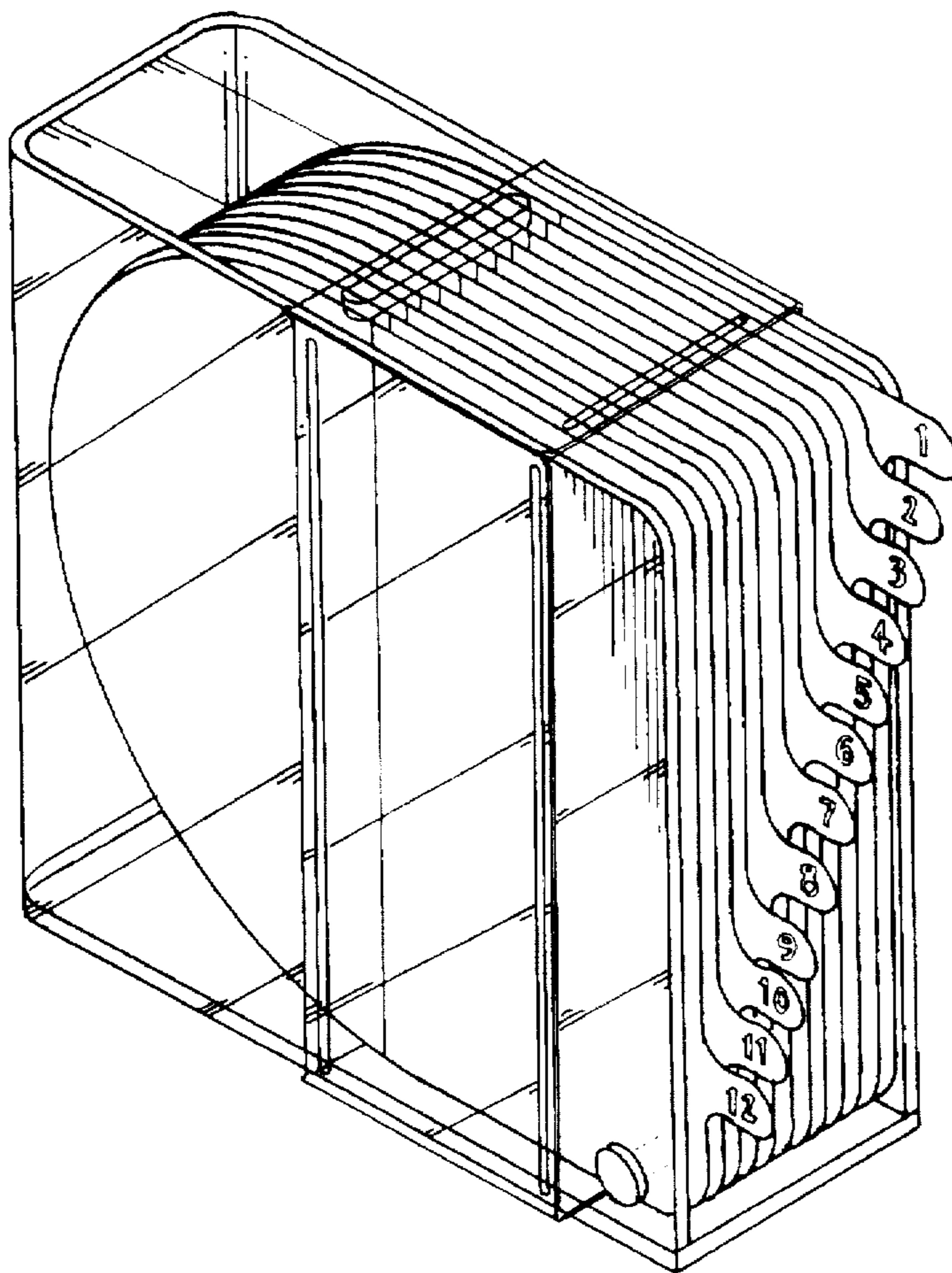


Fig. 1



Fig. 2

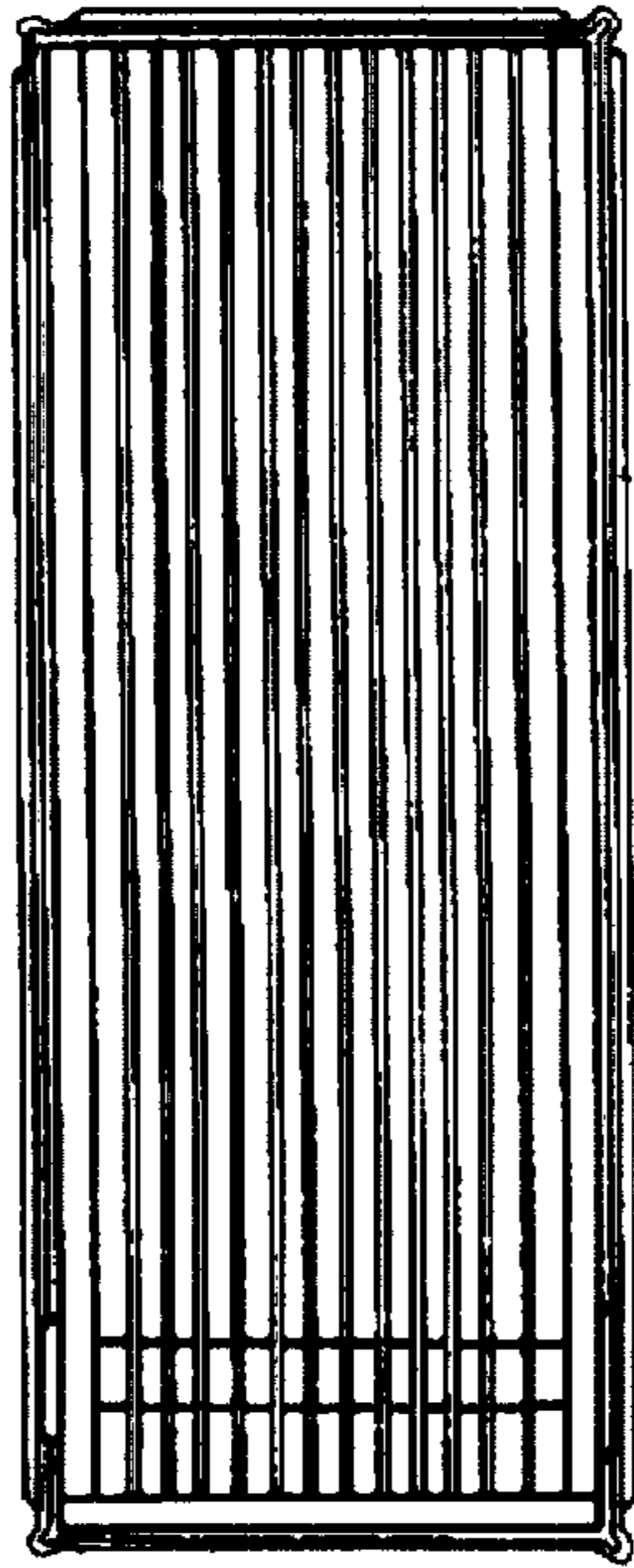


Fig. 3

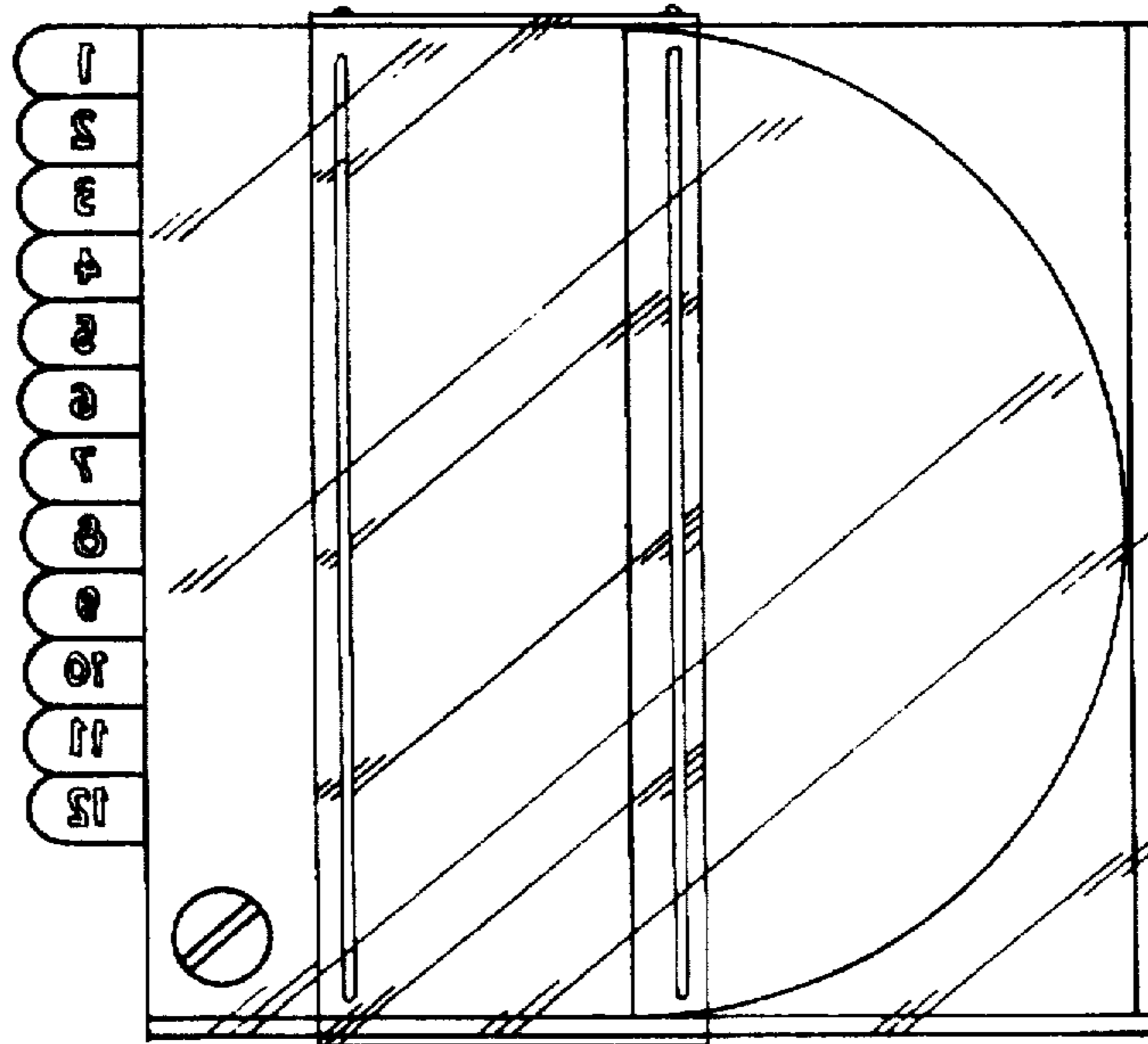


Fig. 4

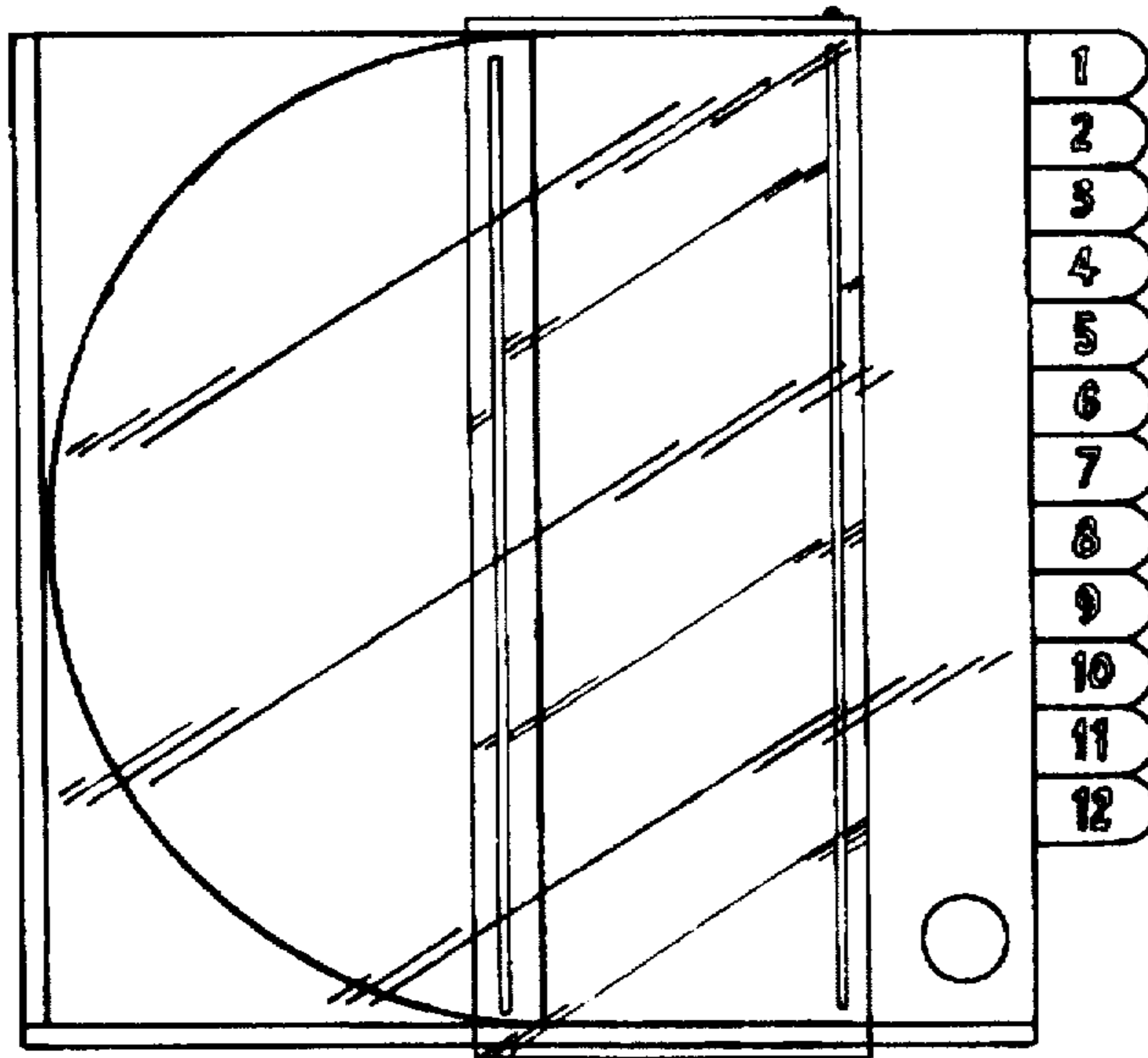


Fig. 5

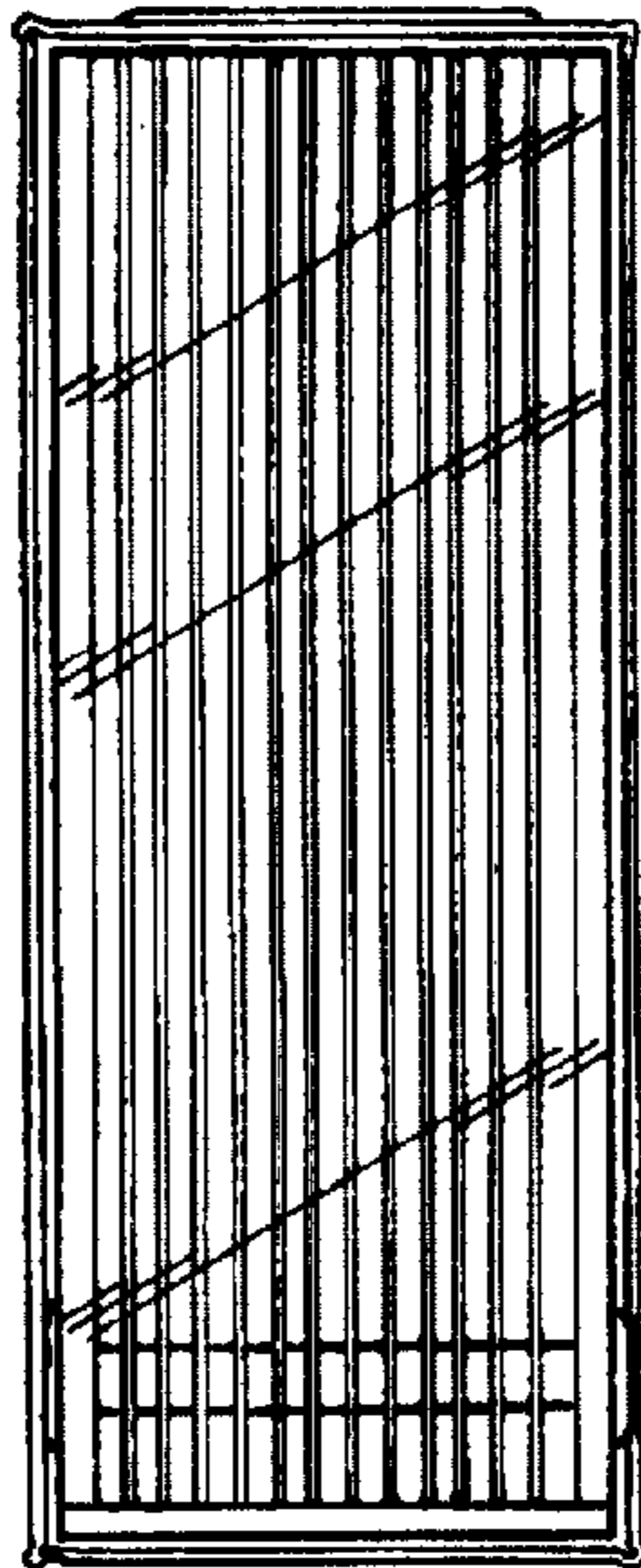


Fig. 6

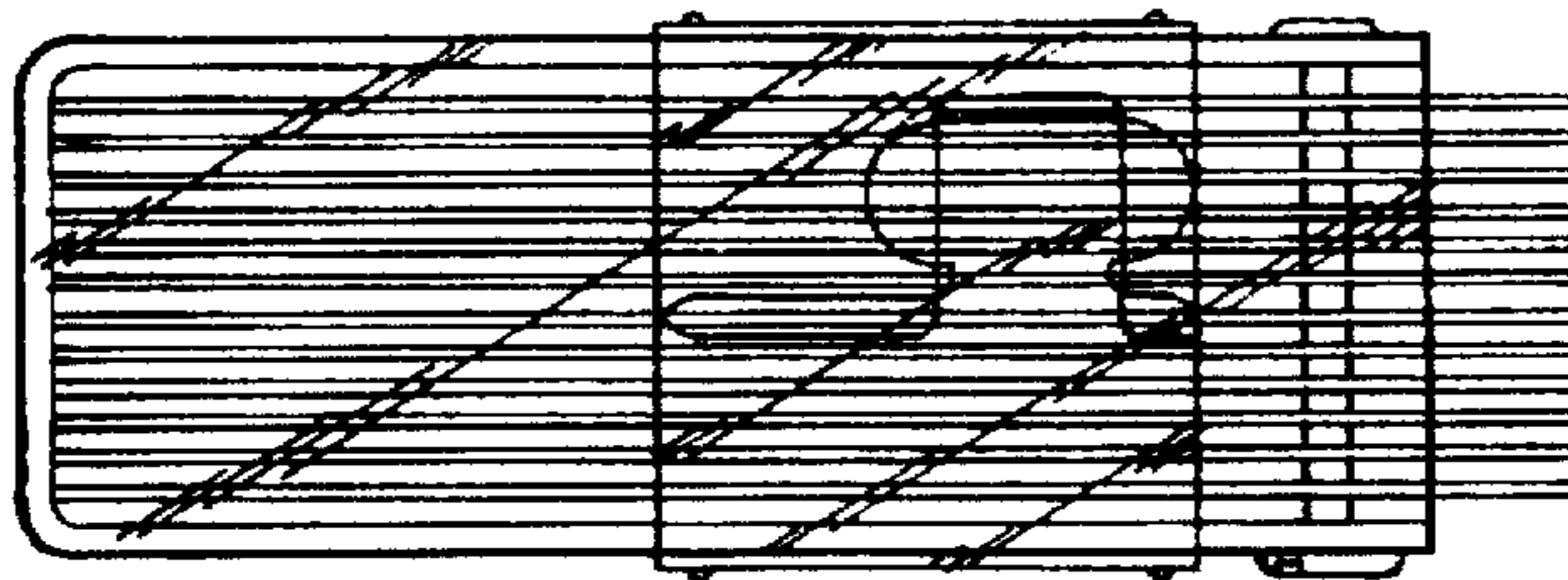


Fig. 7

