



US00D391431S

United States Patent [19]

Brandenburg et al.

[11] Patent Number: **Des. 391,431**

[45] Date of Patent: ****Mar. 3, 1998**

[54] **LIQUID SOAP DISPENSER**

[75] Inventors: **Allen Eugene Brandenburg**, Austin;
John Ethan Maldonado, San Antonio,
both of Tex.

[73] Assignee: **Kimberly-Clark Worldwide, Inc.**,
Neenah, Wis.

[**] Term: **14 Years**

[21] Appl. No.: **68,723**

[22] Filed: **Mar. 28, 1997**

[51] LOC (6) Cl. **07-07**

[52] U.S. Cl. **D6/545**

[58] Field of Search **D6/542-545; 221/96,**
221/208, 282, 283; 222/92, 105, 173, 180,
181.1, 630

[56] **References Cited**

U.S. PATENT DOCUMENTS

D. 338,585 8/1993 Bell et al. **D6/545**
D. 341,970 12/1993 Brandenburg **D6/522**

D. 345,664 4/1994 Brandenburg **D6/545**
D. 348,579 7/1994 Brandenburg **D6/518**
D. 349,827 8/1994 Brandenburg **D6/545**
D. 354,871 1/1995 Frazier et al. **D6/522**
D. 359,868 7/1995 Brandenburg et al. **D6/545**
4,164,306 8/1979 Perrin **222/181.1**

Primary Examiner—Brian N. Vinson
Attorney, Agent, or Firm—Karl V. Sidor

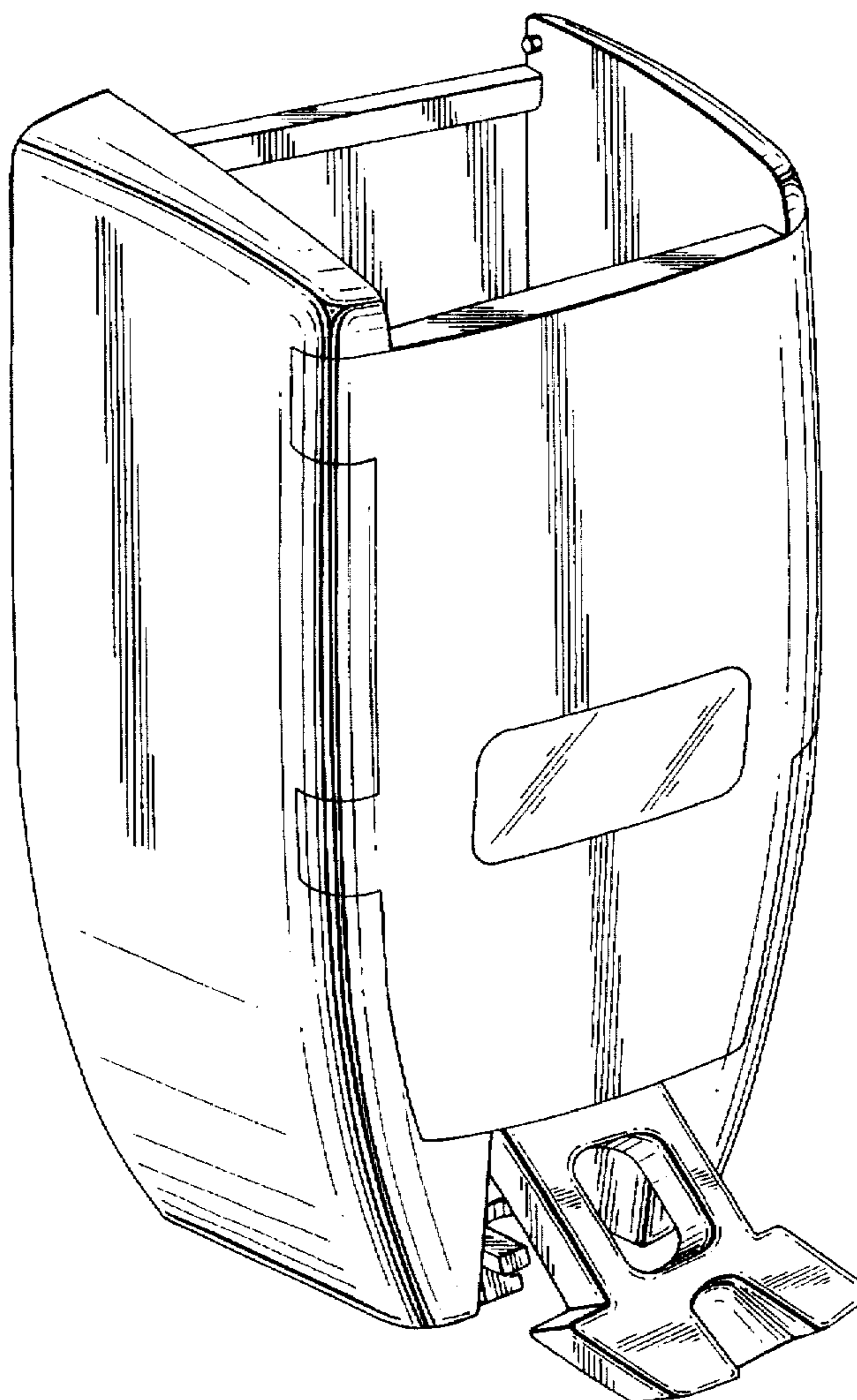
[57] **CLAIM**

The ornamental design for the liquid soap dispenser, as shown and described.

DESCRIPTION

FIG. 1 is a front elevation of the liquid soap dispenser showing my new design;
FIG. 2 is a left side elevation thereof;
FIG. 3 is a right side elevation thereof;
FIG. 4 is a top plan view thereof;
FIG. 5 is a bottom plan view thereof;
FIG. 6 is a rear elevation thereof; and,
FIG. 7 is a right front perspective view.

1 Claim, 7 Drawing Sheets



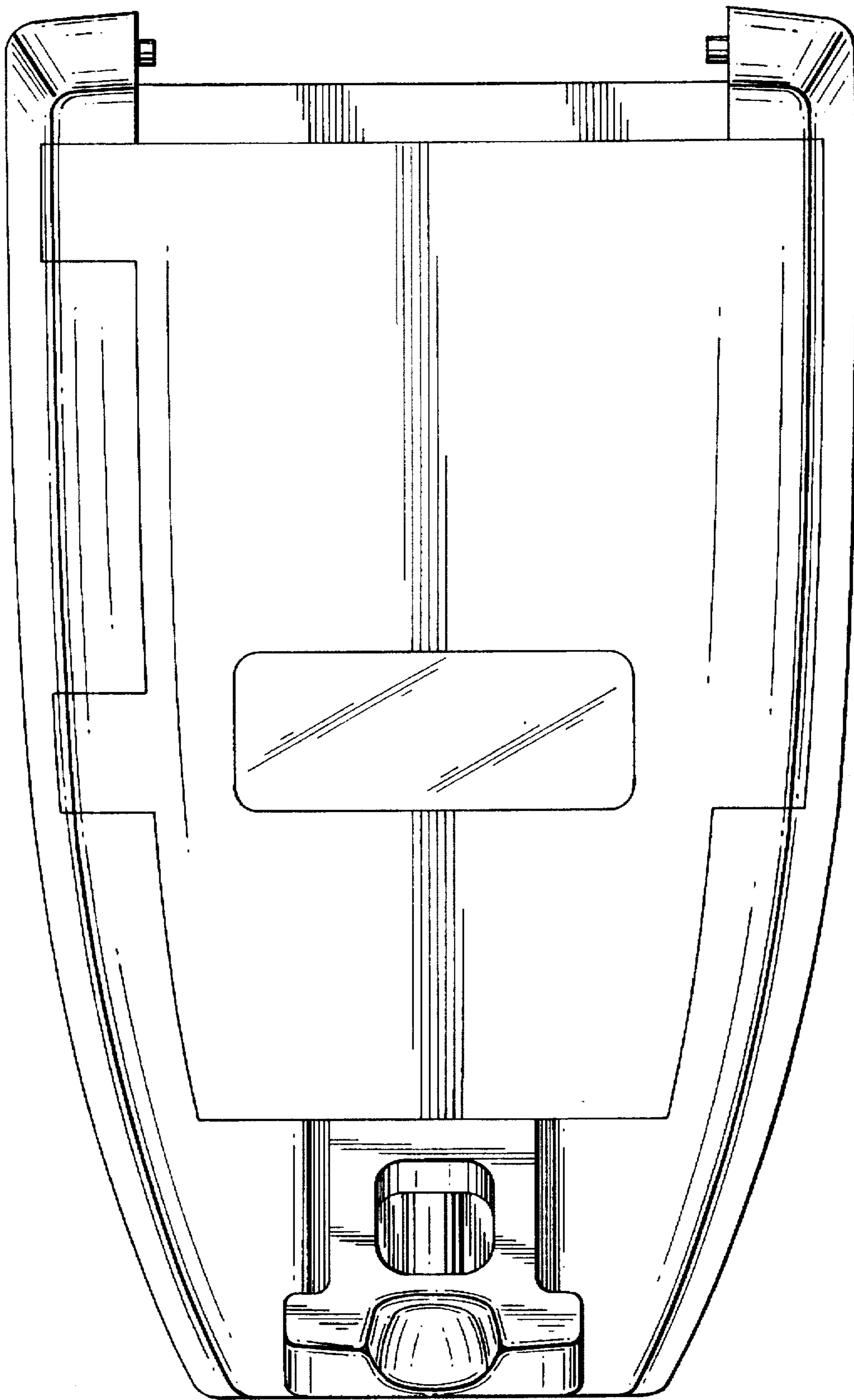


FIG. 1

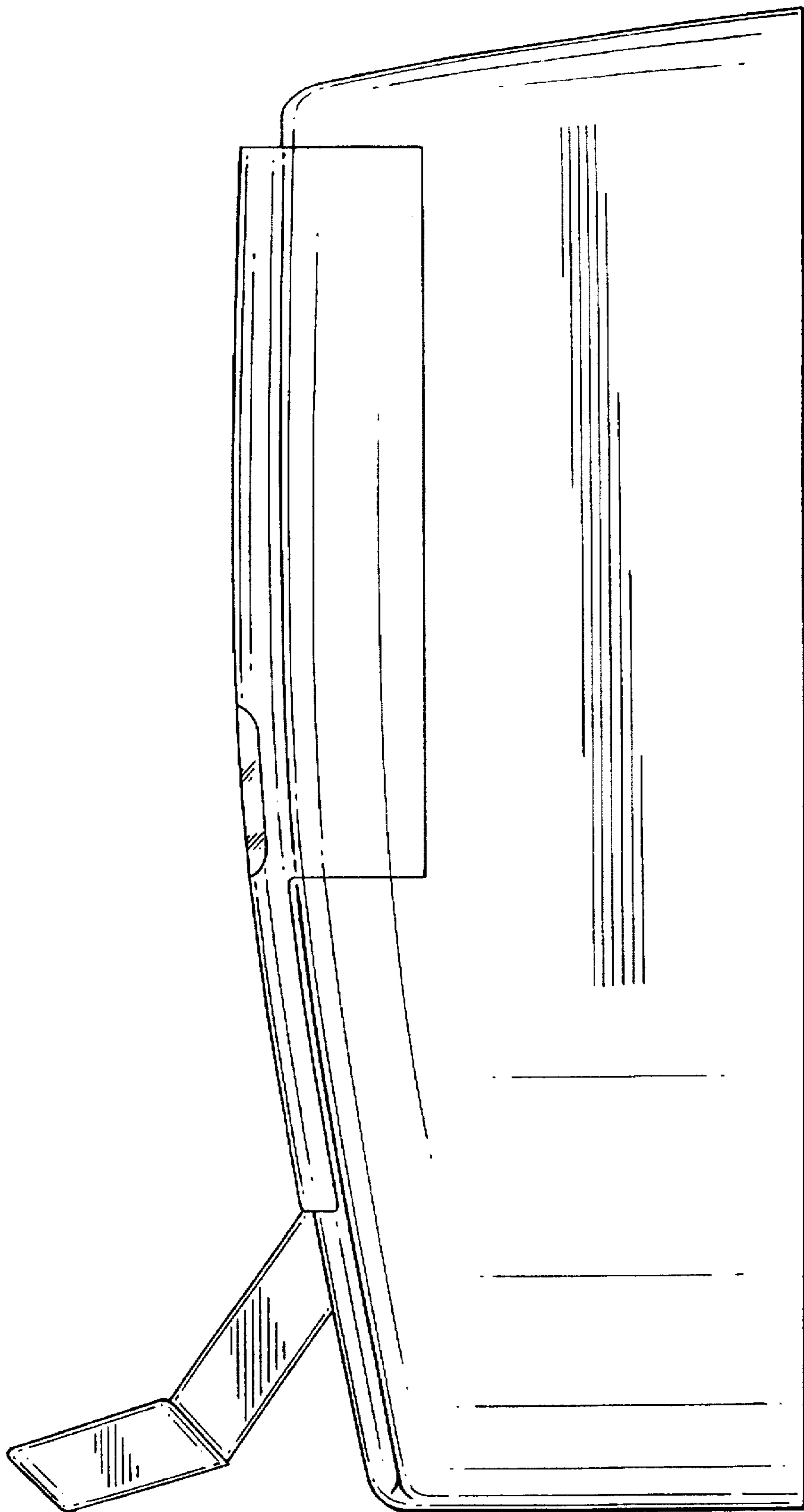


FIG. 2

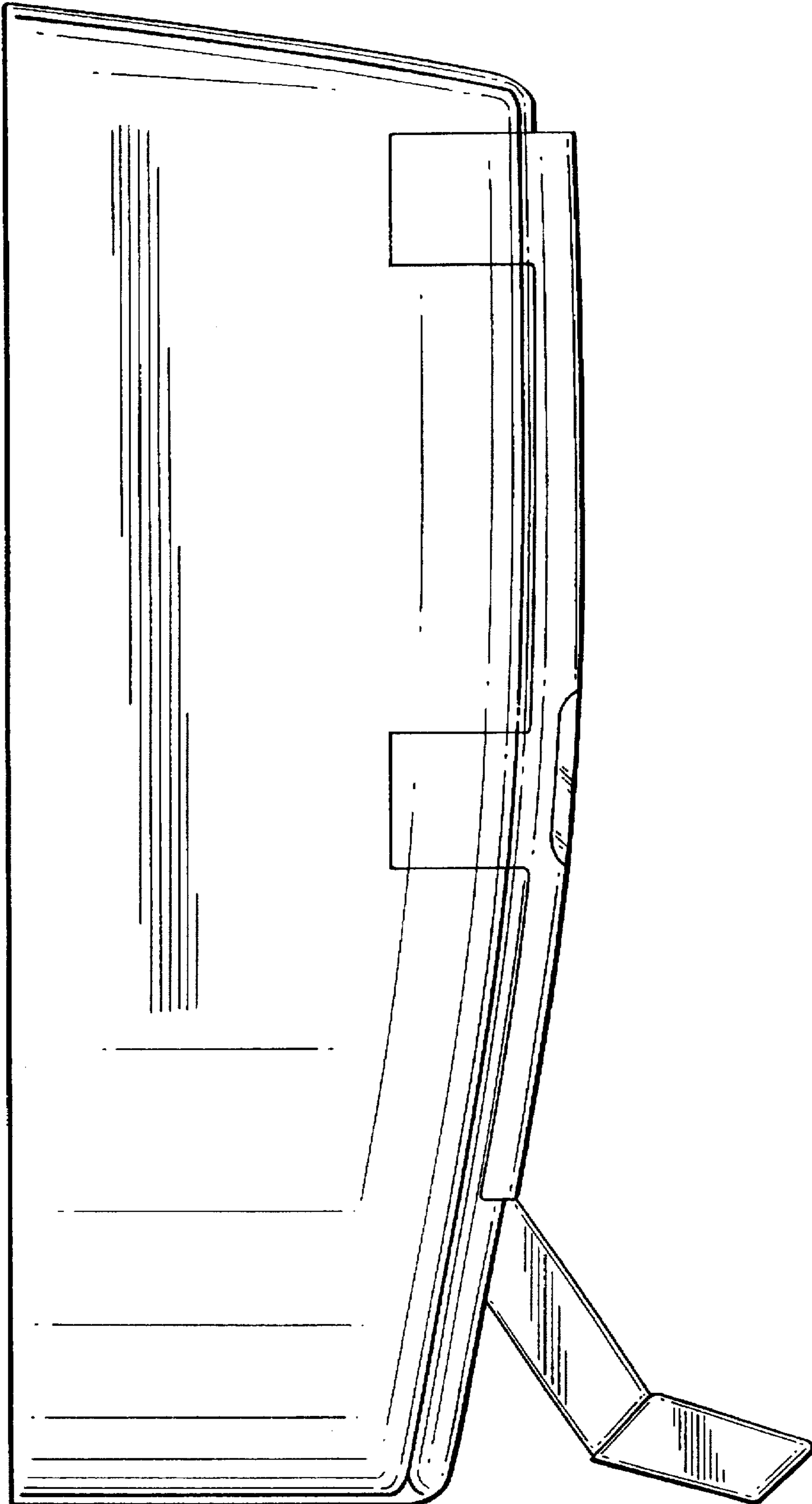


FIG. 3

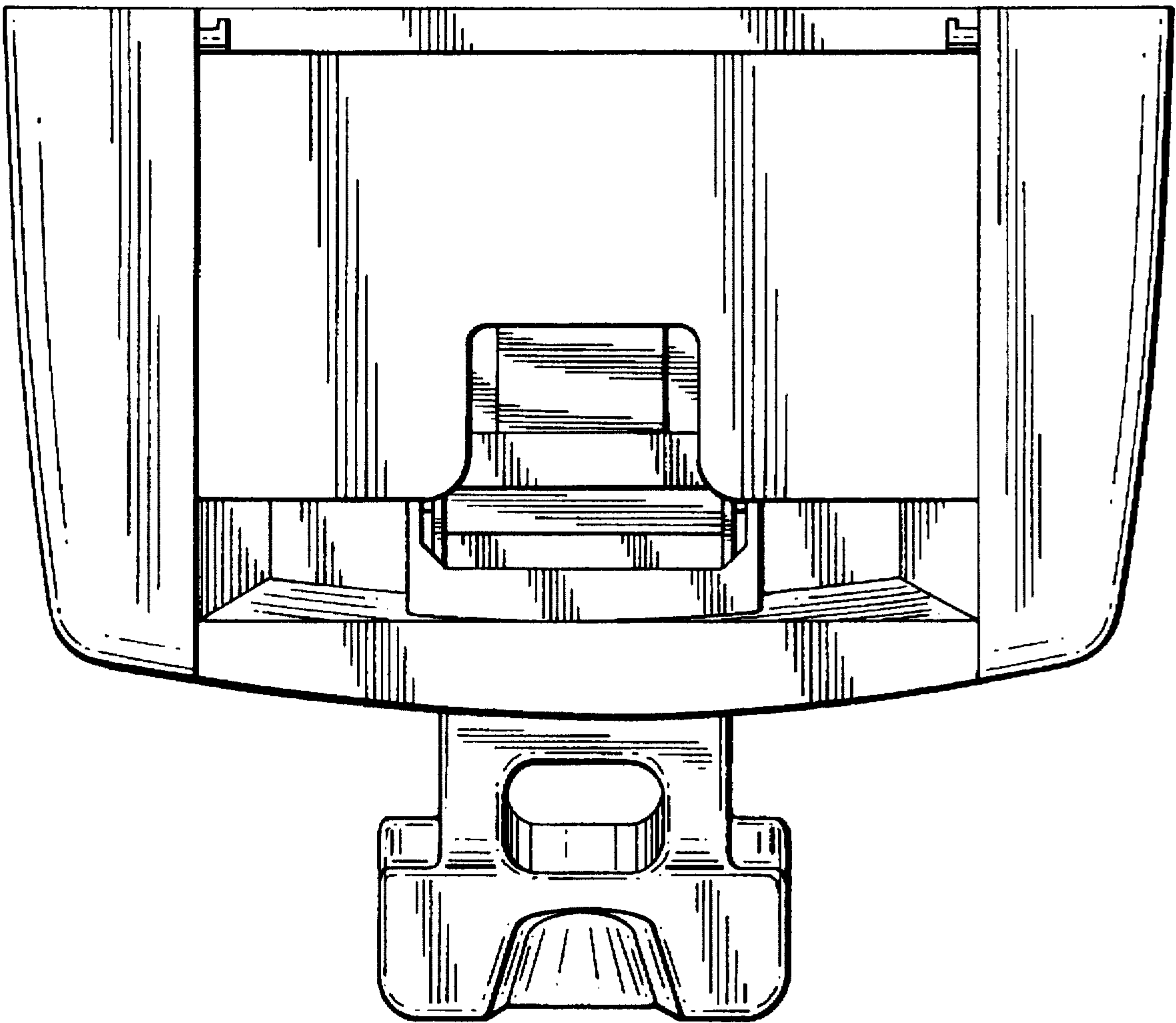


FIG. 4

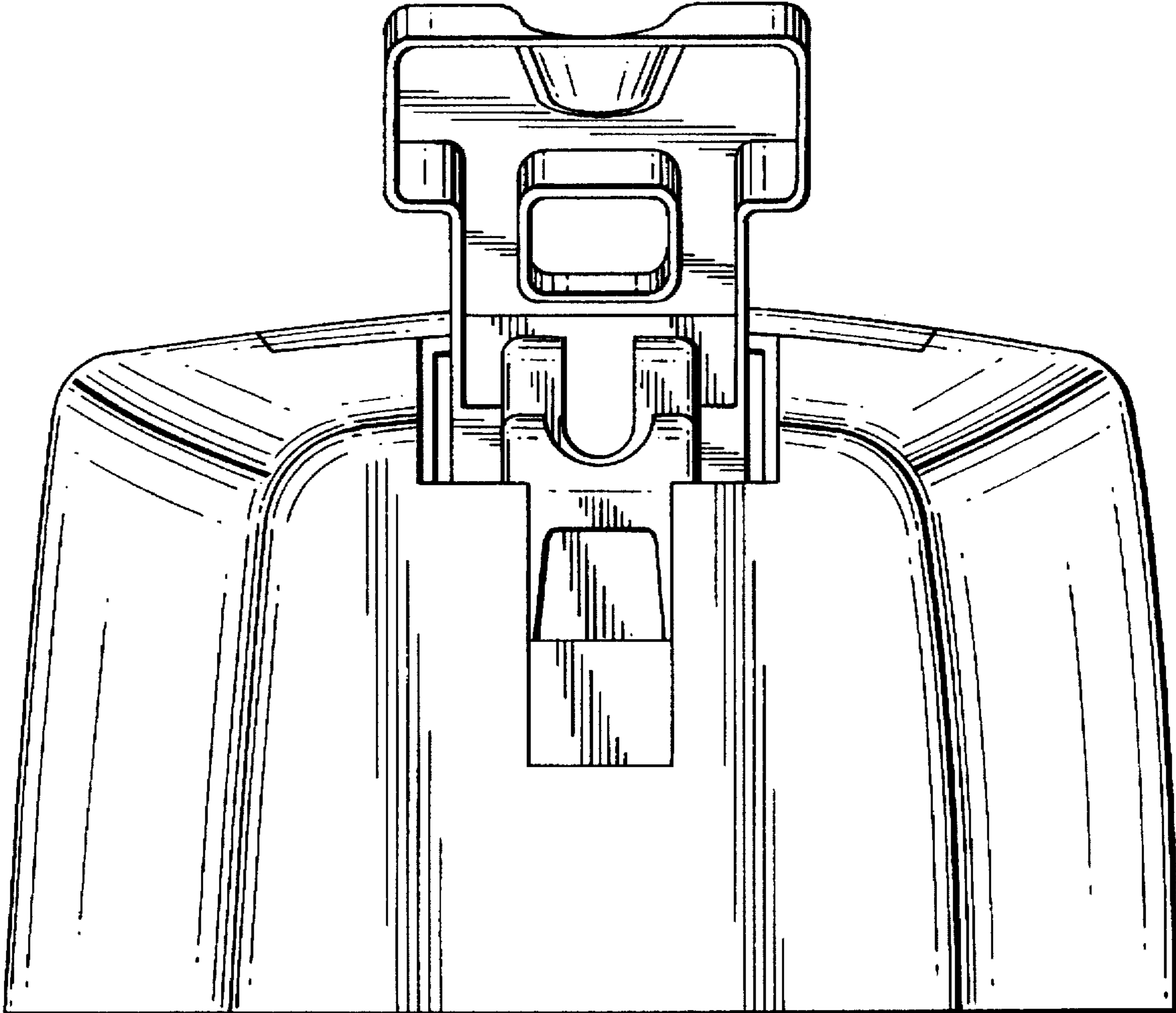


FIG. 5

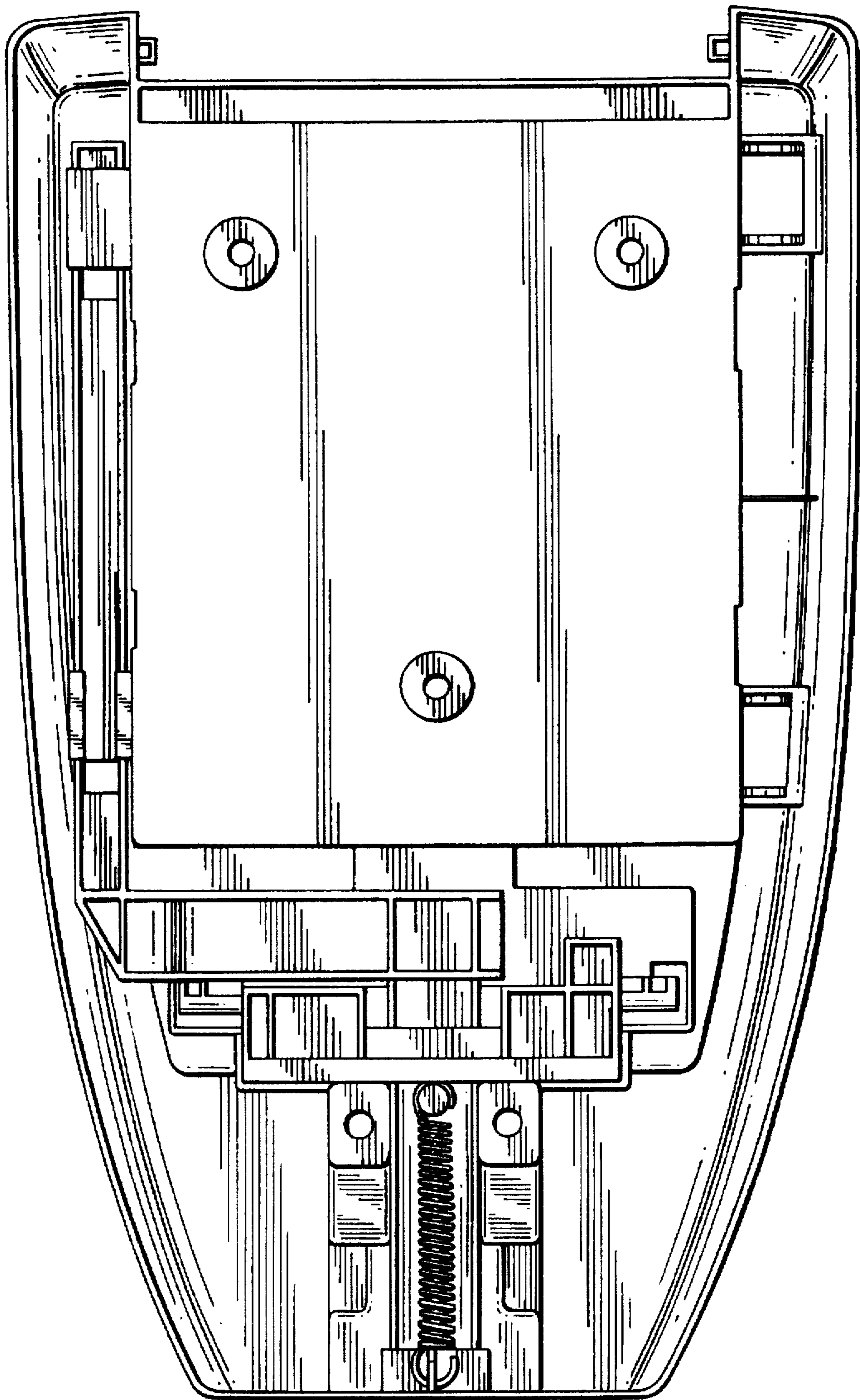


FIG. 6

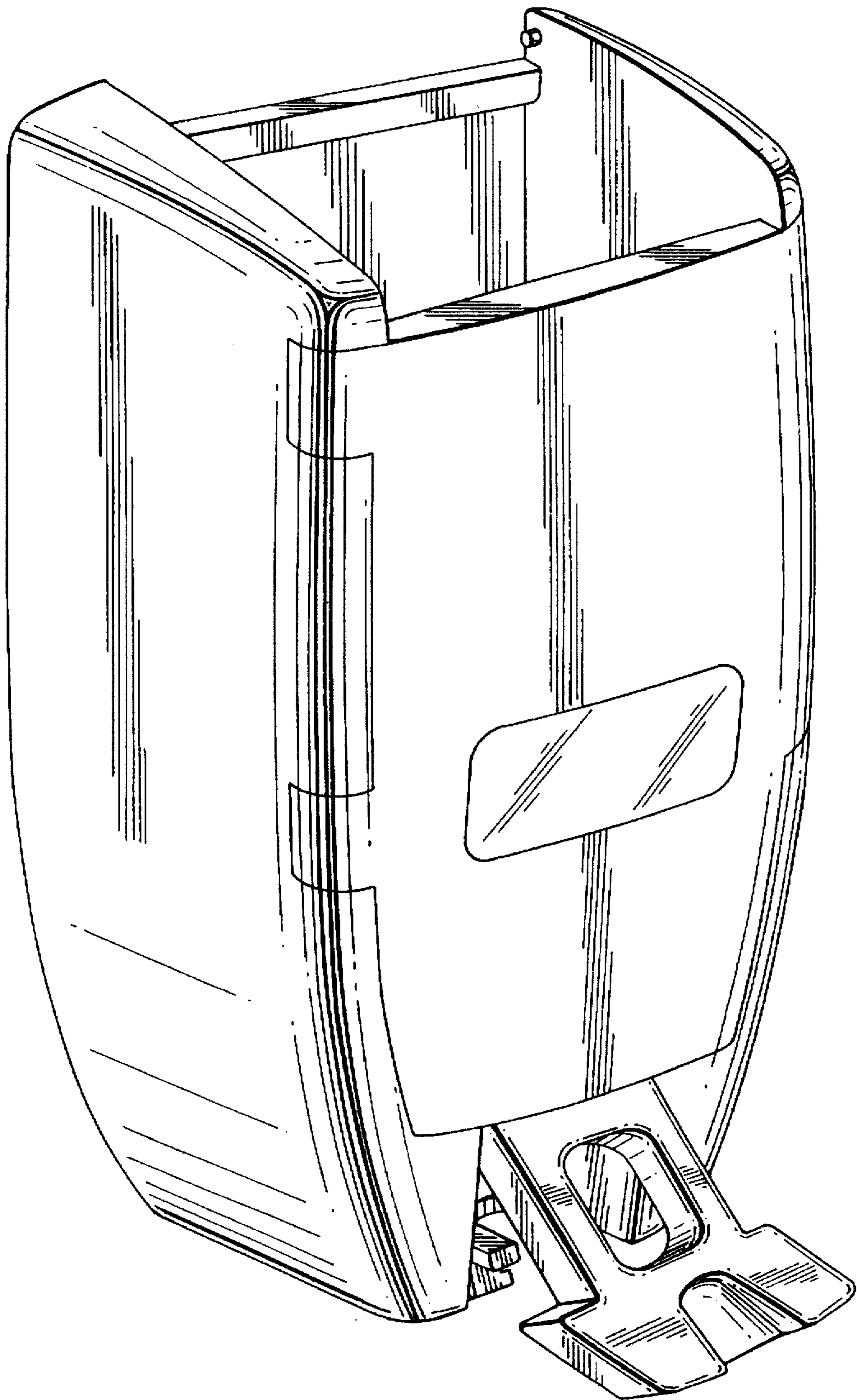


FIG. 7