

US00D391429S

United States Patent [19]

Davis

[11] Patent Number: **Des. 391,429**

[45] Date of Patent: ****Mar. 3, 1998**

[54] **MOTORIZED TOILET TISSUE DISPENSER**

[76] Inventor: **Ralph Davis**, 1843 N. Sierra Way, San Bernardino, Calif. 92405

[**] Term: **14 Years**

[21] Appl. No.: **69,205**

[22] Filed: **Mar. 19, 1997**

[51] LOC (6) Cl. **23-02**

[52] U.S. Cl. **D6/523; D6/549**

[58] Field of Search D6/515, 518, 519, D6/520, 523, 522; 242/598.4, 598.5, 599.1, 560.3, 571.1, 598.1; 211/13, 87-88

[56] **References Cited**

U.S. PATENT DOCUMENTS

- D. 300,703 4/1989 Moels D6/523
- D. 308,612 6/1990 Cuevas D6/523

- D. 365,234 12/1995 Bragazzi et al. D6/523
- D. 368,401 4/1996 Dixon D6/523 X
- 2,840,319 6/1958 Danko 242/560.3
- 5,248,105 9/1993 Cooker D6/523 X

Primary Examiner—Pamela J. Burgess

[57] **CLAIM**

The ornamental design for a motorized toilet tissue dispenser, as shown and described.

DESCRIPTION

FIG. 1 is a front elevational view of the motorized toilet tissue dispenser showing my new design; FIG. 2 is a rear elevational view thereof; FIG. 3 is a right side view thereof; FIG. 4 is a left side view thereof; FIG. 5 is a top plan view thereof; and, FIG. 6 is a bottom plan view thereof.

1 Claim, 3 Drawing Sheets

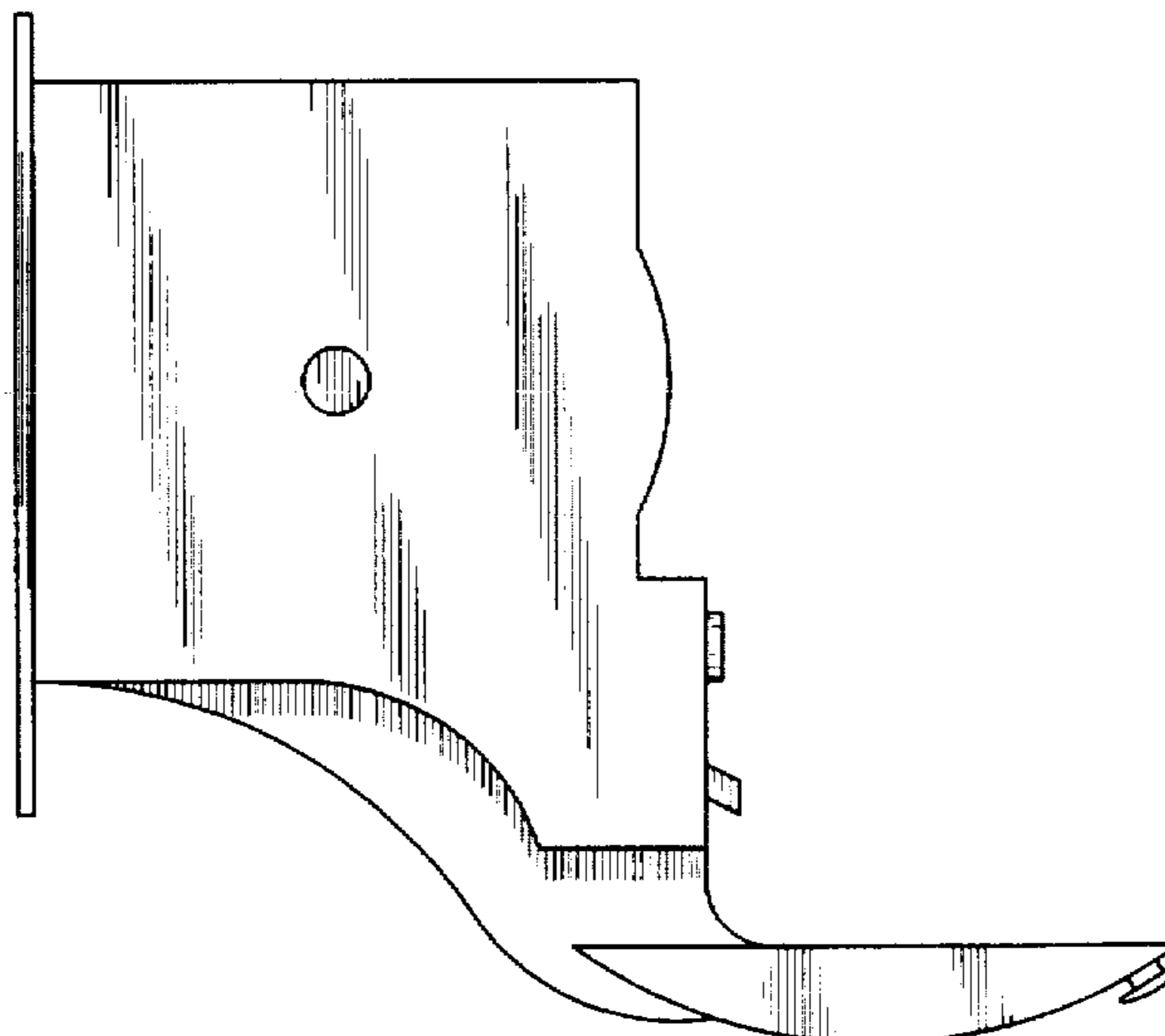
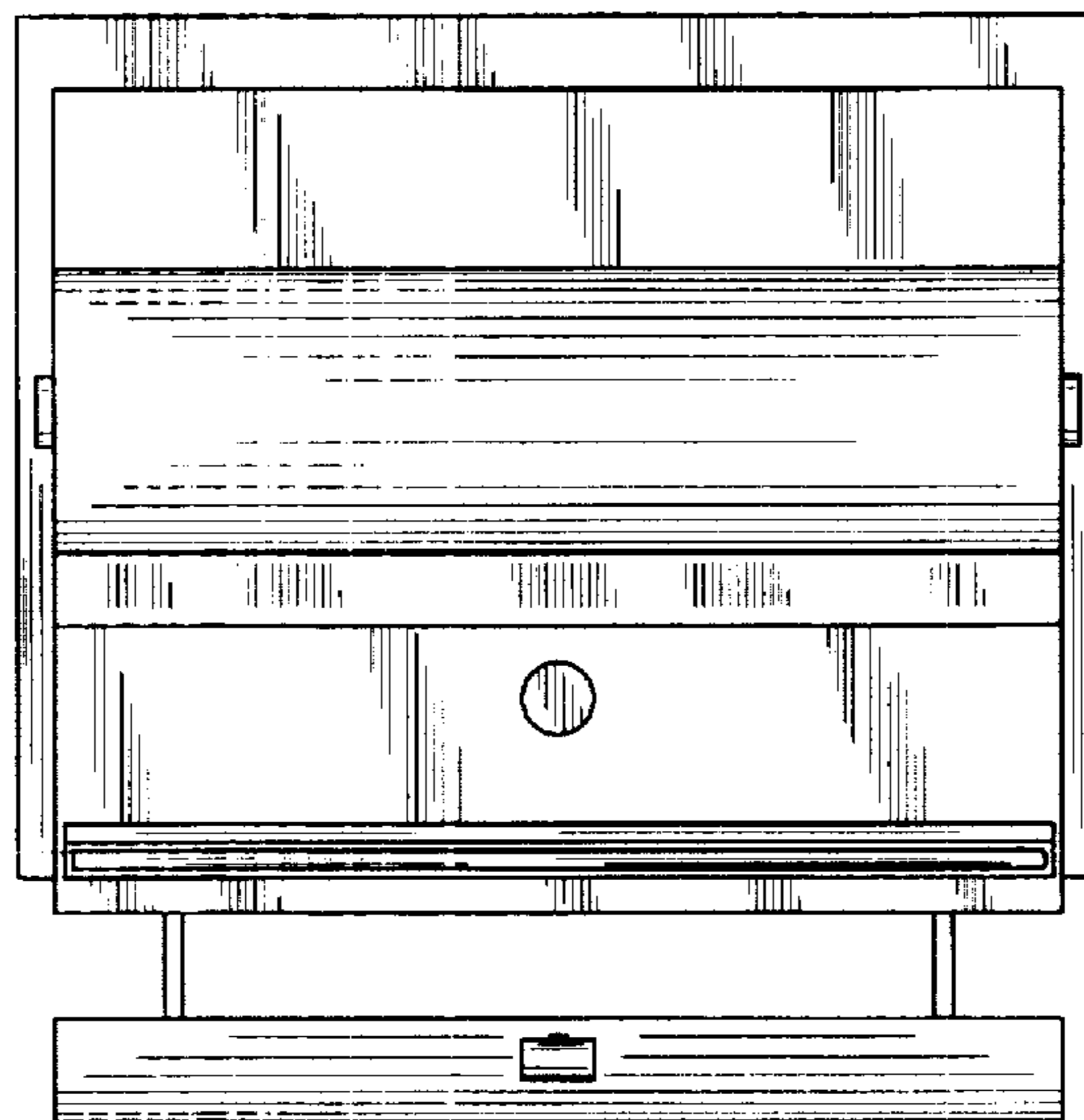


FIG. 1

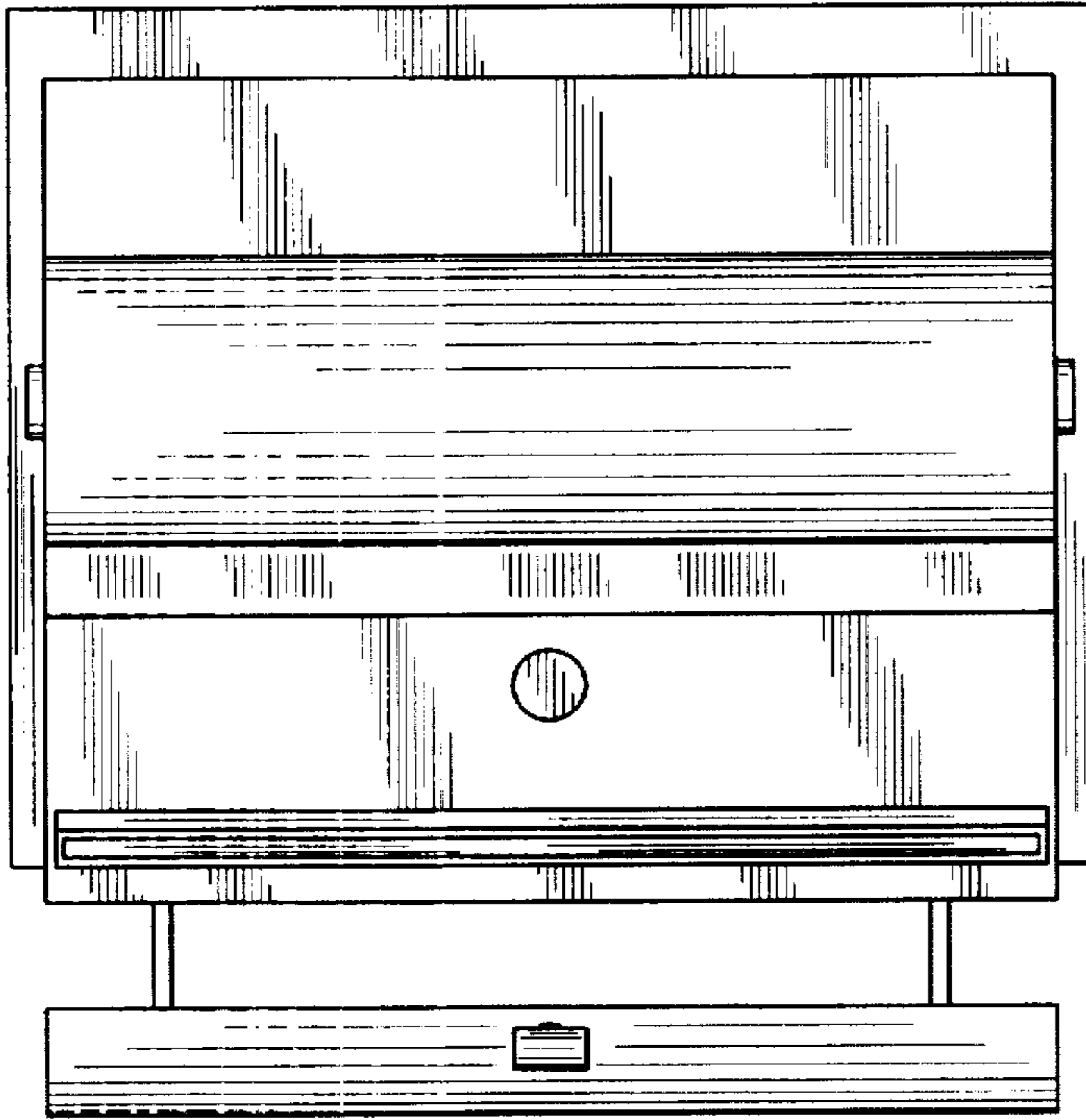


FIG. 2

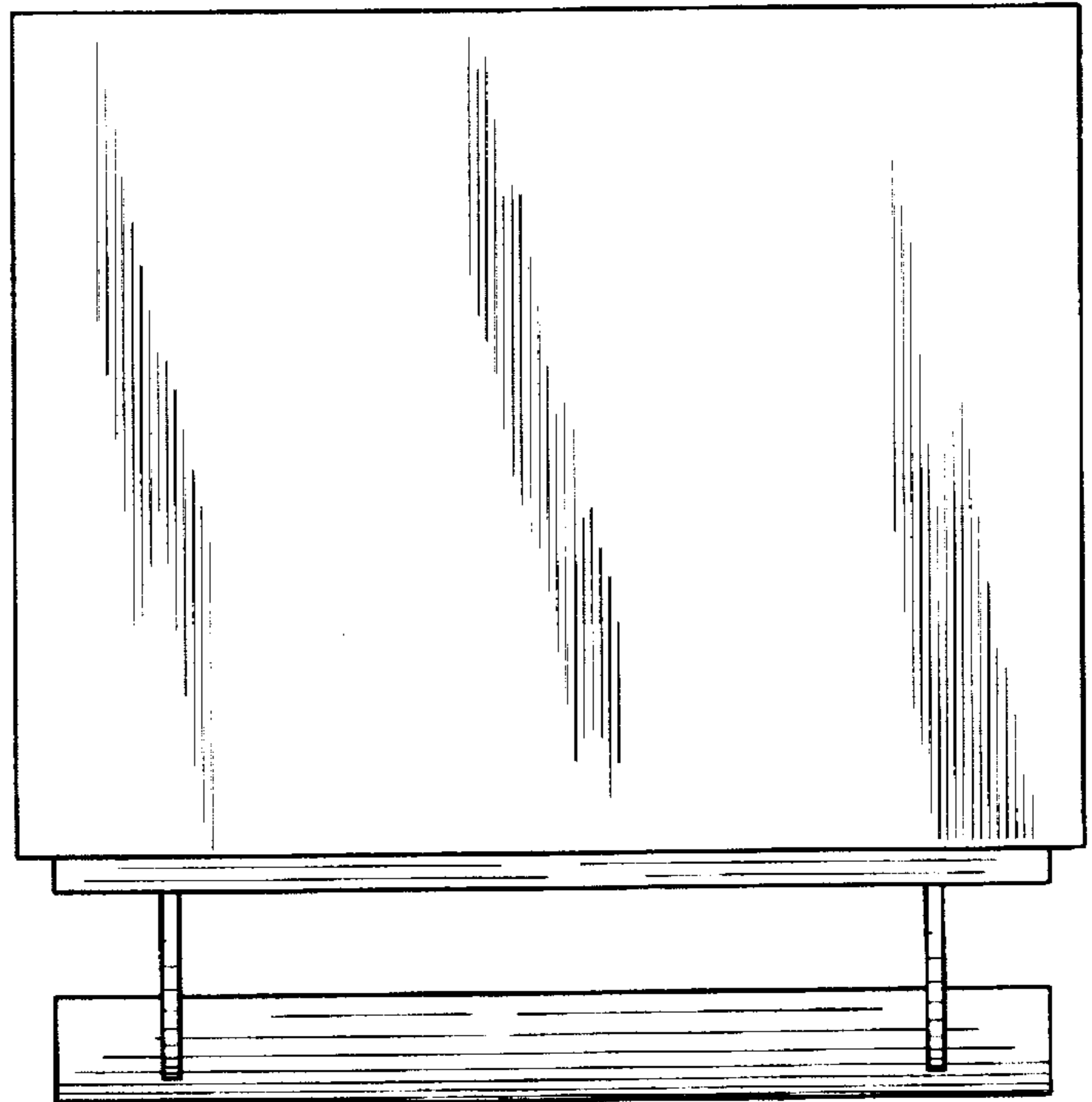


FIG. 3

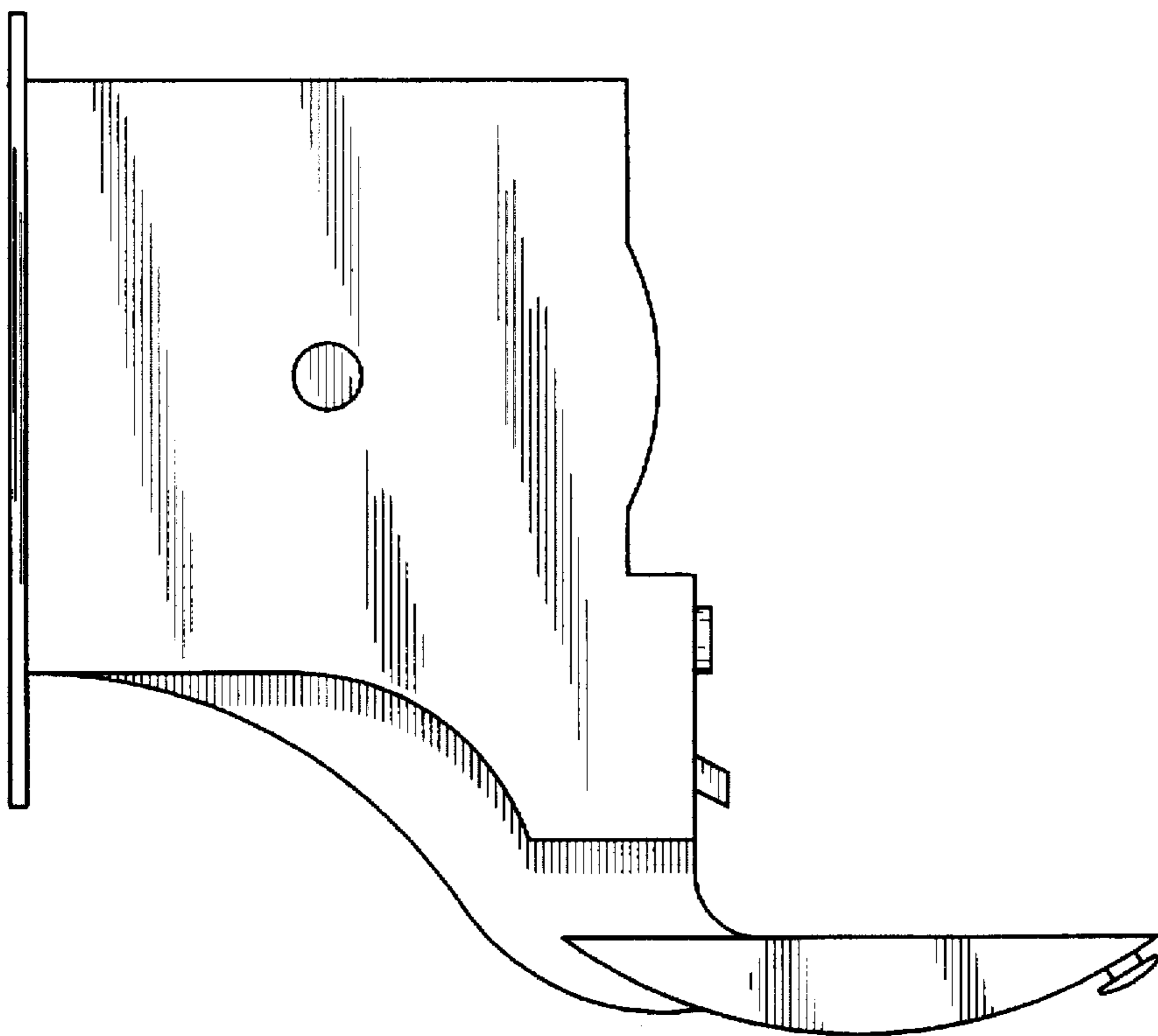


FIG. 4

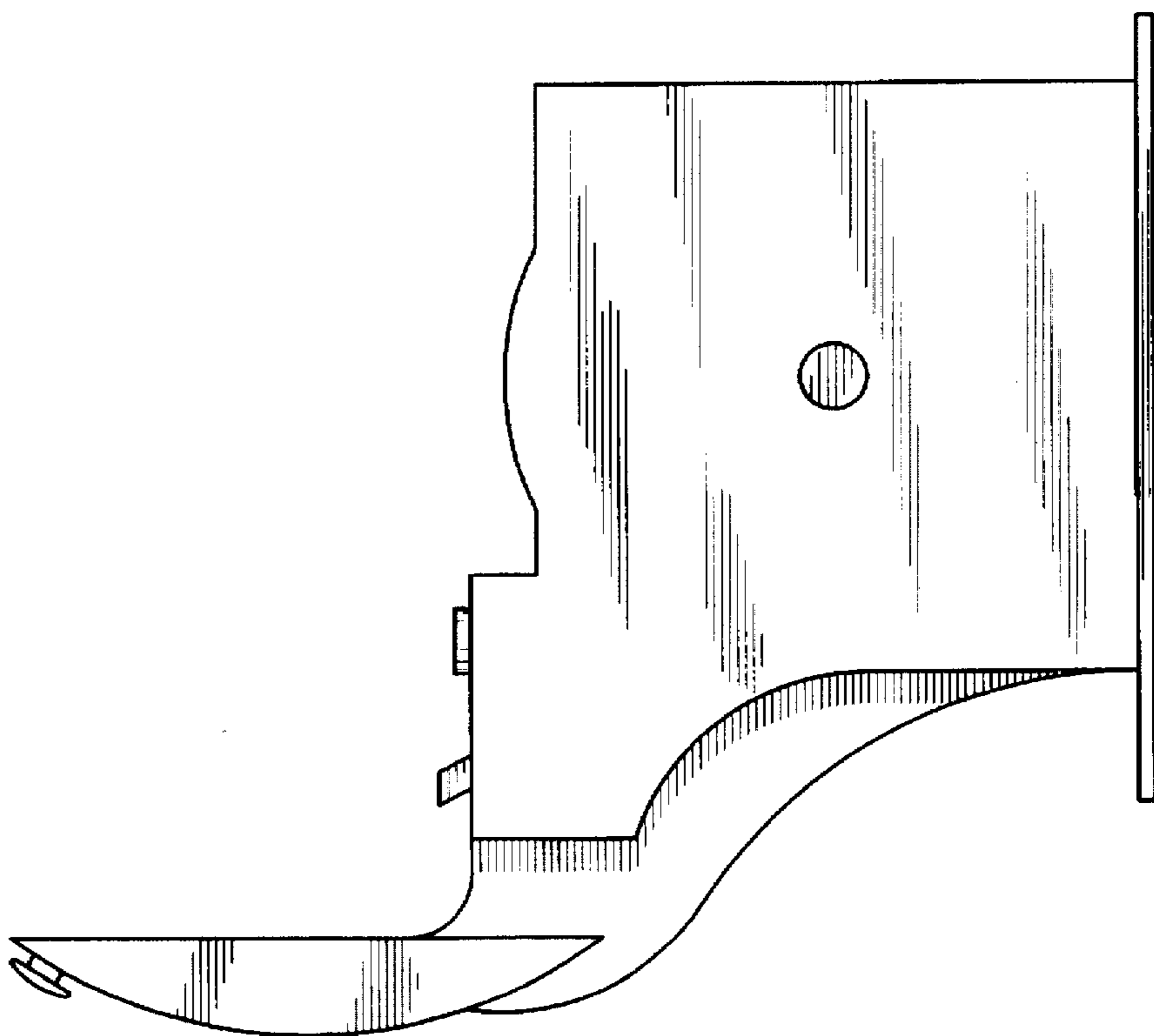


FIG. 5

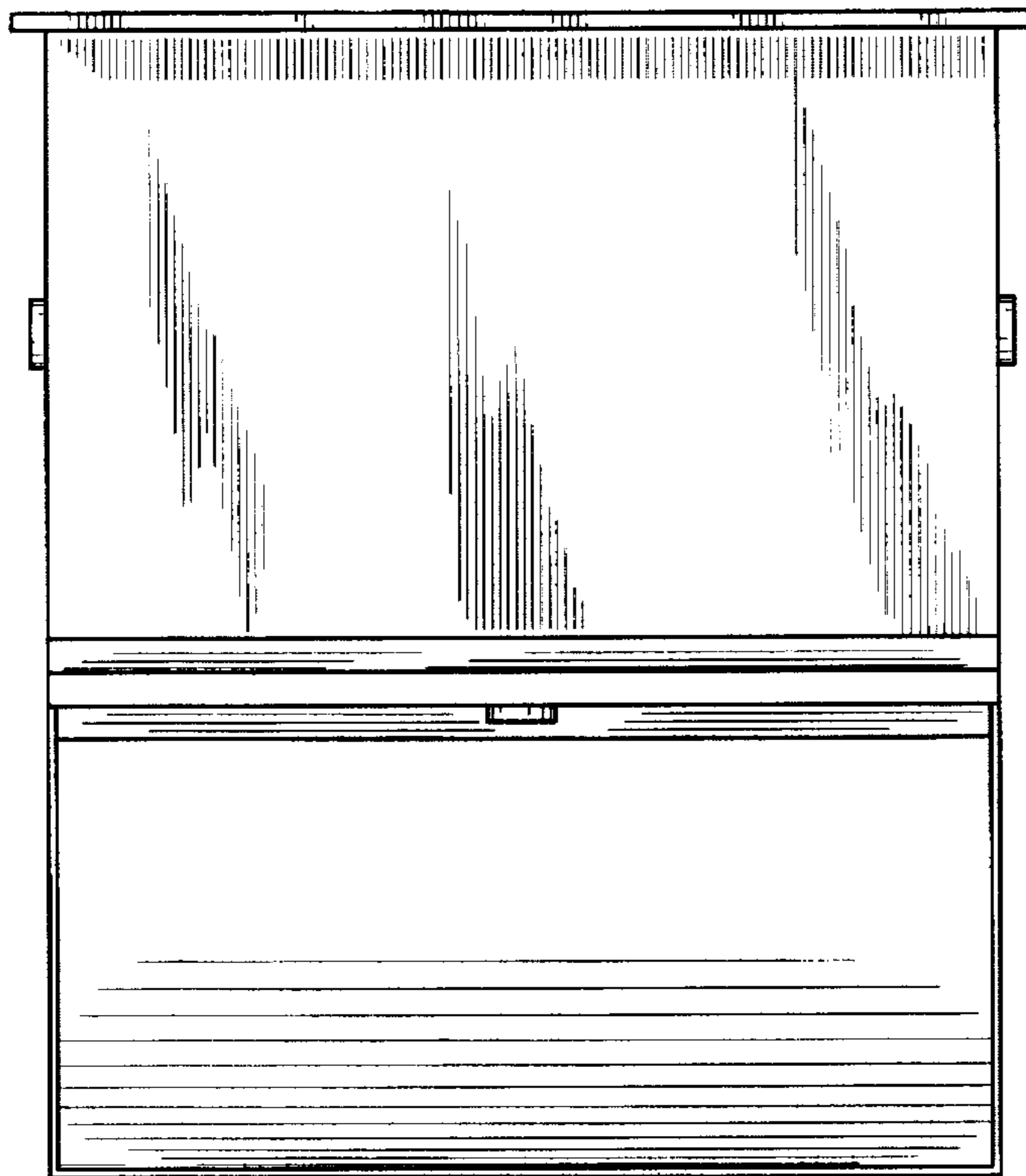


FIG. 6

