



US00D391427S

United States Patent [19]
Yeh

[11] **Patent Number:** **Des. 391,427**
[45] **Date of Patent:** ****Mar. 3, 1998**

[54] **SIDEBOARD FRAME FOR FUTON BED**

[76] **Inventor:** **John Yeh**, 660 S. Aberdeen, Anaheim Hills, Calif. 92807

[**] **Term:** **14 Years**

[21] **Appl. No.:** **63,231**

[22] **Filed:** **Dec. 2, 1996**

[51] **LOC (6) Cl.** **06-06**

[52] **U.S. Cl.** **D6/505**

[58] **Field of Search** D6/382, 383, 389,
D6/392-395, 505-508; 5/53.1, 279.1, 280,
281, 907, 285, 286

[56] **References Cited**

U.S. PATENT DOCUMENTS

D. 315,074	3/1991	Schoonover	D6/505
D. 345,264	3/1994	Stone et al.	D6/393
D. 361,233	8/1995	Yeh	D6/508
D. 378,640	4/1997	Yeh	D6/505

Primary Examiner—Janice E. Seeger

Attorney, Agent, or Firm—Francis Xavier Lojacono; Peter J. Gluck. Patent Law Firm

[57] **CLAIM**

The ornamental design for a sideboard frame for futon bed, as shown and described.

DESCRIPTION

FIG. 1 is a top plan view of a sideboard frame for futon bed, showing my new design thereof;
 FIG. 2 is a front-elevational view thereof;
 FIG. 3 is a left side-elevational view thereof;
 FIG. 4 is a right side-elevational view thereof;
 FIG. 5 is a bottom plan view thereof;
 FIG. 6 is a rear-elevational view thereof; and,
 FIG. 7 is a pictorial view thereof;
 FIG. 8 is a top plan view of a second embodiment of the present invention;
 FIG. 9 is a front-elevational view thereof, and wherein the rear-elevational view is not shown as it is a mirror image thereof;
 FIG. 10 is a right side-elevational view thereof, and wherein the left side-elevational view is not shown as it is a mirror image thereof; and,
 FIG. 11 is a bottom plan view thereof.

1 Claim, 3 Drawing Sheets

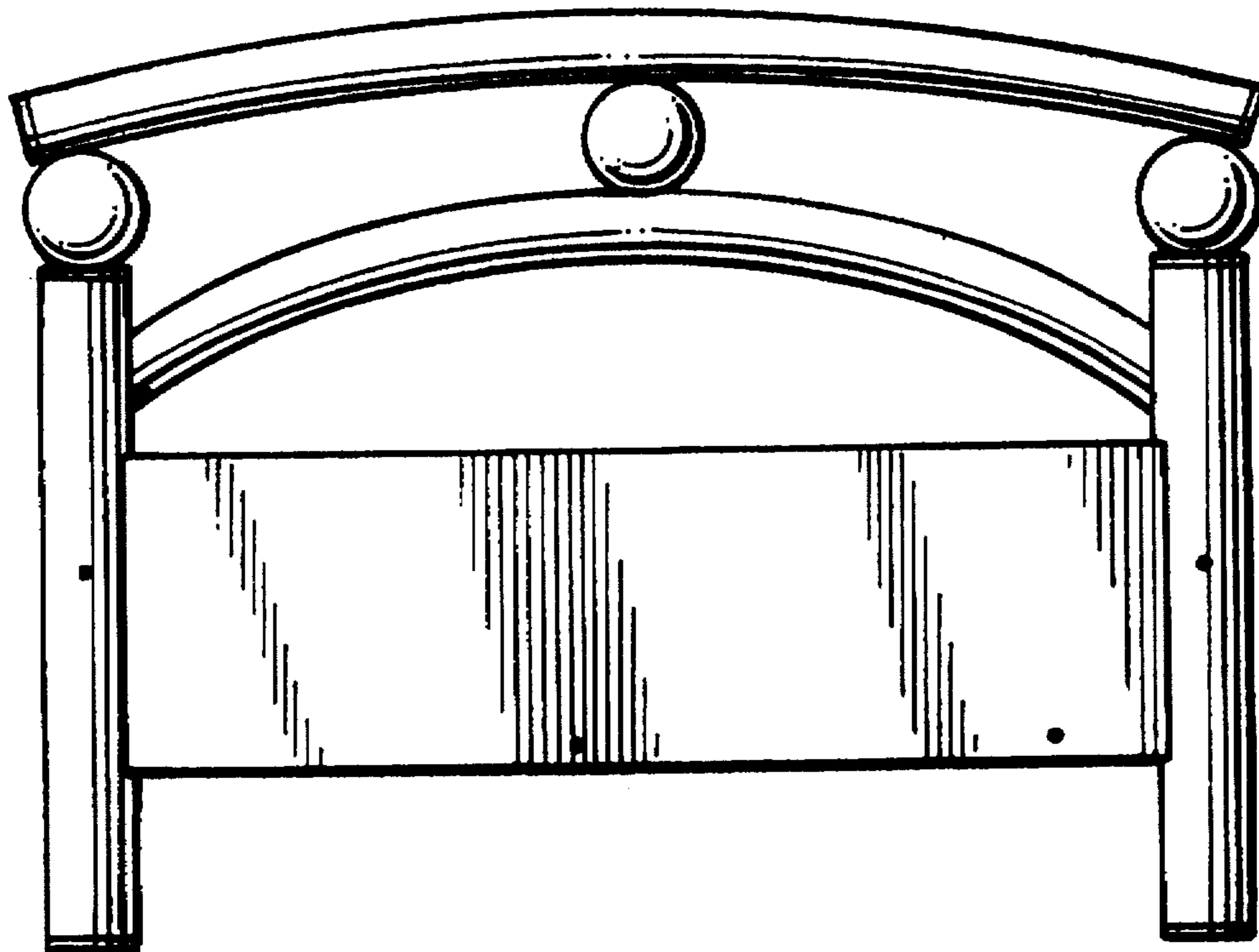


FIG. 1



FIG. 3

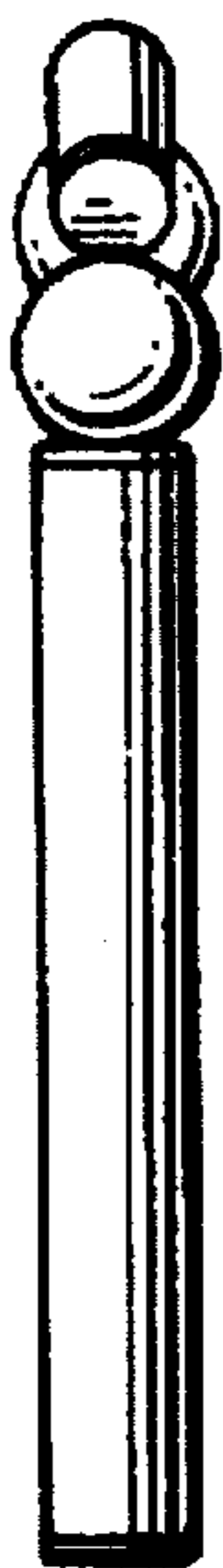


FIG. 2

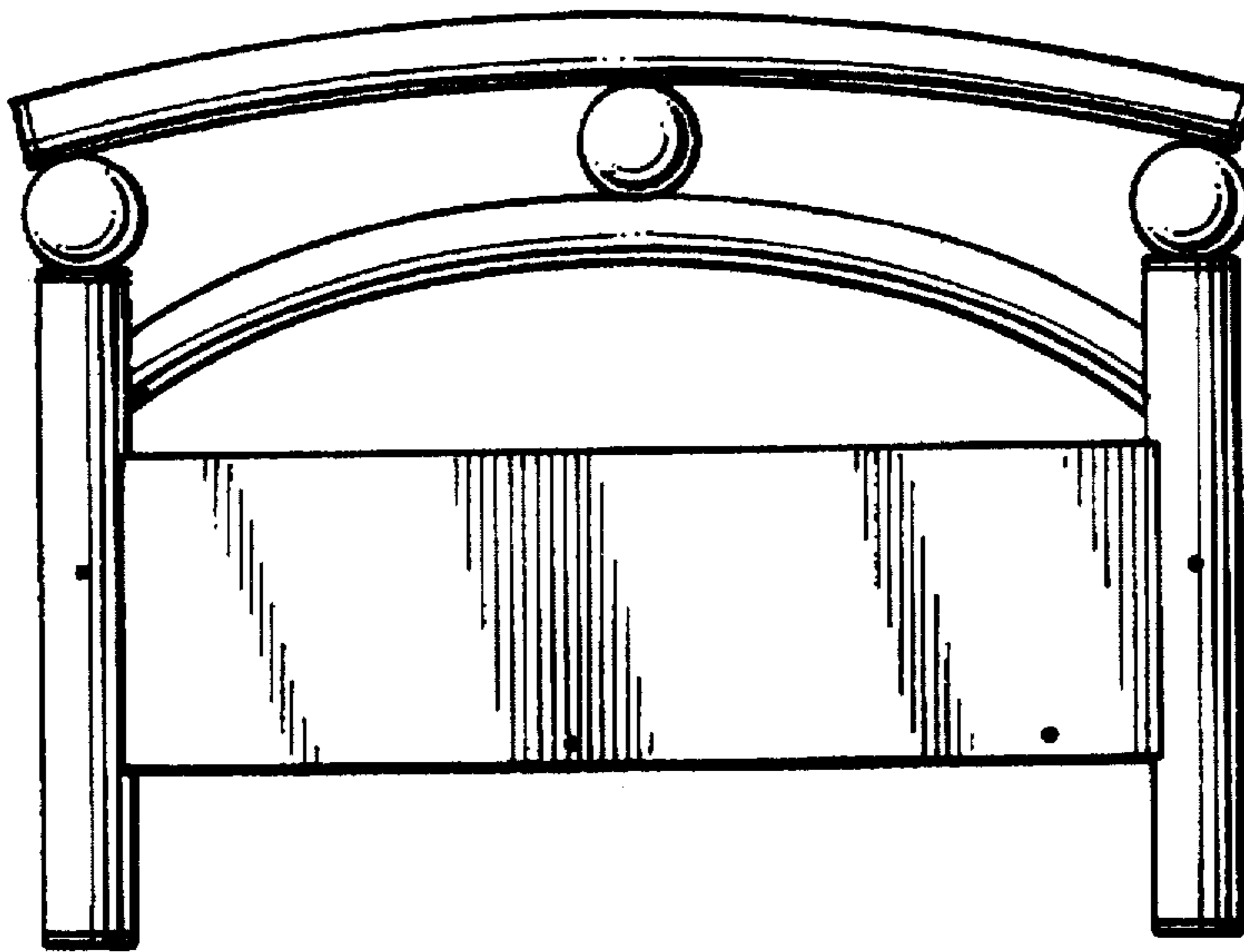


FIG. 4



FIG. 5



FIG. 6

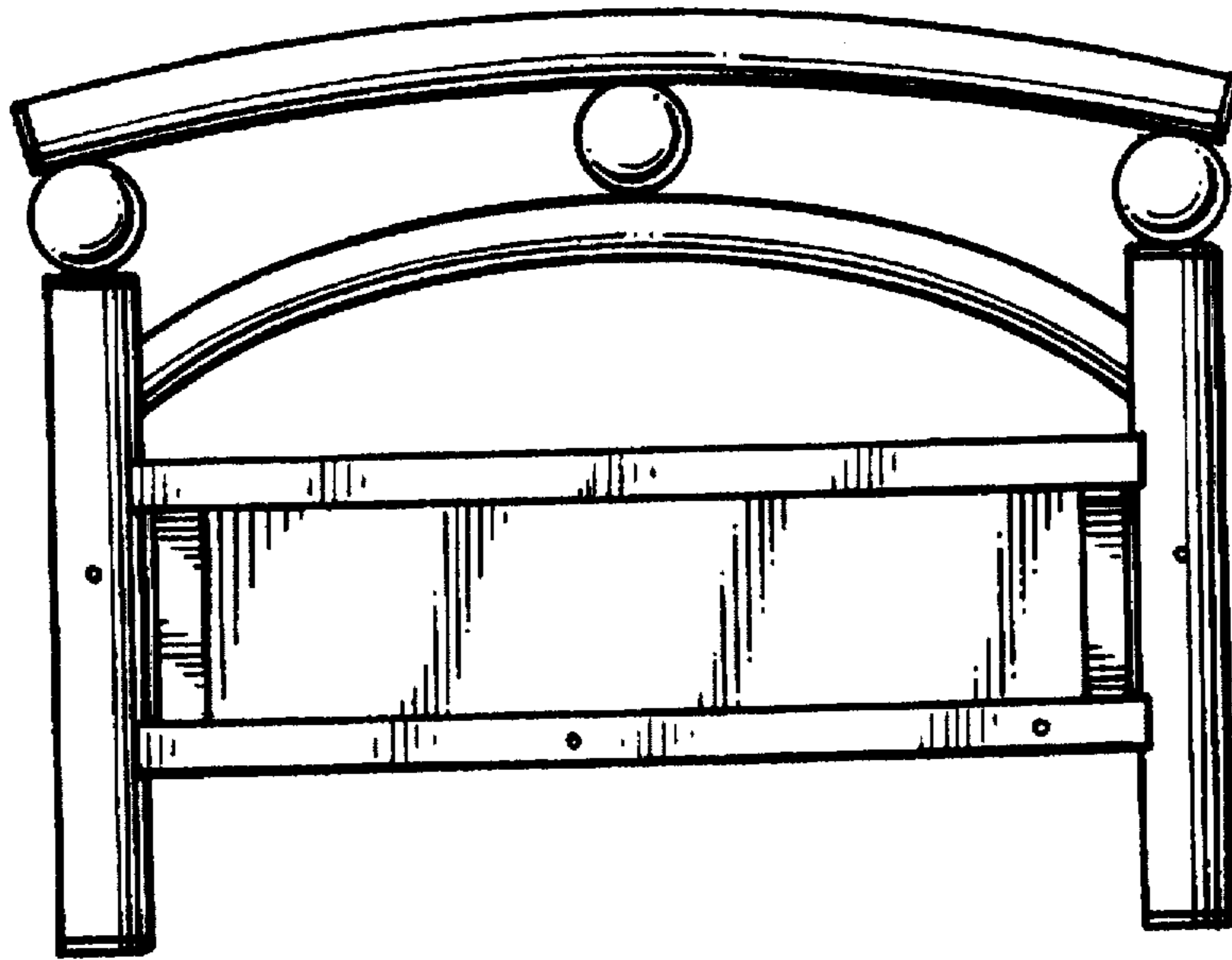


FIG. 7

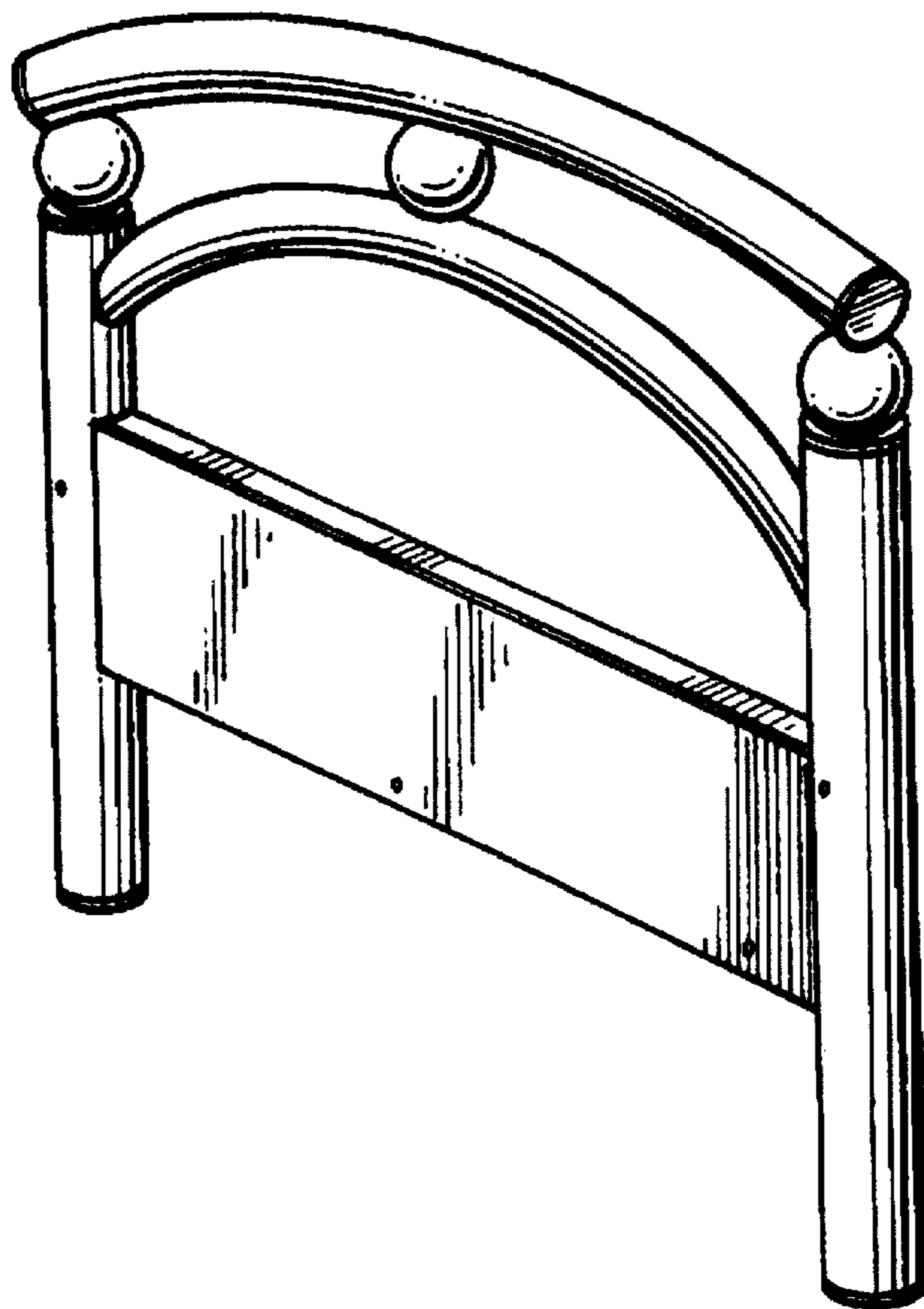


FIG. 8



FIG. 9

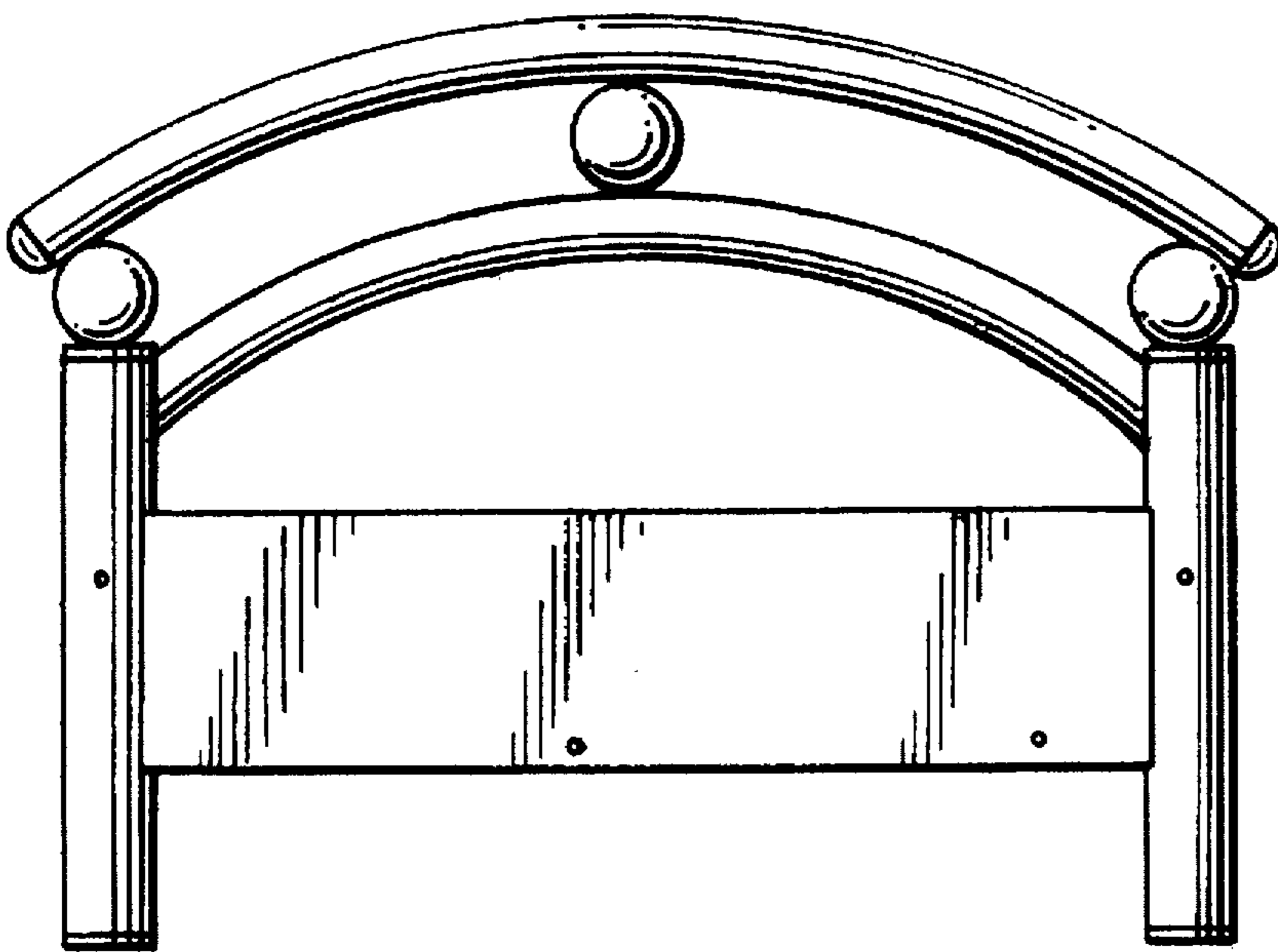


FIG. 10



FIG. 11

