



US00D391426S

United States Patent [19]
Yeh

[11] **Patent Number:** **Des. 391,426**
[45] **Date of Patent:** ****Mar. 3, 1998**

[54] **SIDEBOARD FOR FUTON BED**

D. 378,640 4/1997 Yeh D6/505

[76] **Inventor:** **John Yeh**, 660 S. Aberdeen, Anaheim Hills, Calif. 92807

Primary Examiner—Janice E. Seeger
Attorney, Agent, or Firm—Francis Xavier LoJacono; Peter Jon Gluck, Patent Law Firm

[**] **Term:** **14 Years**

[57] **CLAIM**

[21] **Appl. No.:** **63,223**

The ornamental design for a sideboard for futon bed, as shown and described.

[22] **Filed:** **Dec. 2, 1996**

DESCRIPTION

[51] **LOC (6) Cl.** **06-06**

[52] **U.S. Cl.** **D6/505; D6/492; D6/503**

[58] **Field of Search** **D6/382, 383, 389, D6/392-395, 505-508, 492, 494; 5/53.1, 279.1, 280, 281, 907, 285, 286**

FIG. 1 is a top plan view of a sideboard for futon bed, showing my new design thereof;
FIG. 2 is a front-elevational view thereof;
FIG. 3 is a left side-elevational view thereof;
FIG. 4 is a right side-elevational view thereof;
FIG. 5 is a bottom plan view thereof;
FIG. 6 is a rear-elevational view thereof; and,
FIG. 7 is a pictorial view thereof.

[56] **References Cited**

U.S. PATENT DOCUMENTS

D. 121,635 7/1940 Lieberman D6/492
D. 232,807 9/1974 Toner D6/393

1 Claim, 2 Drawing Sheets

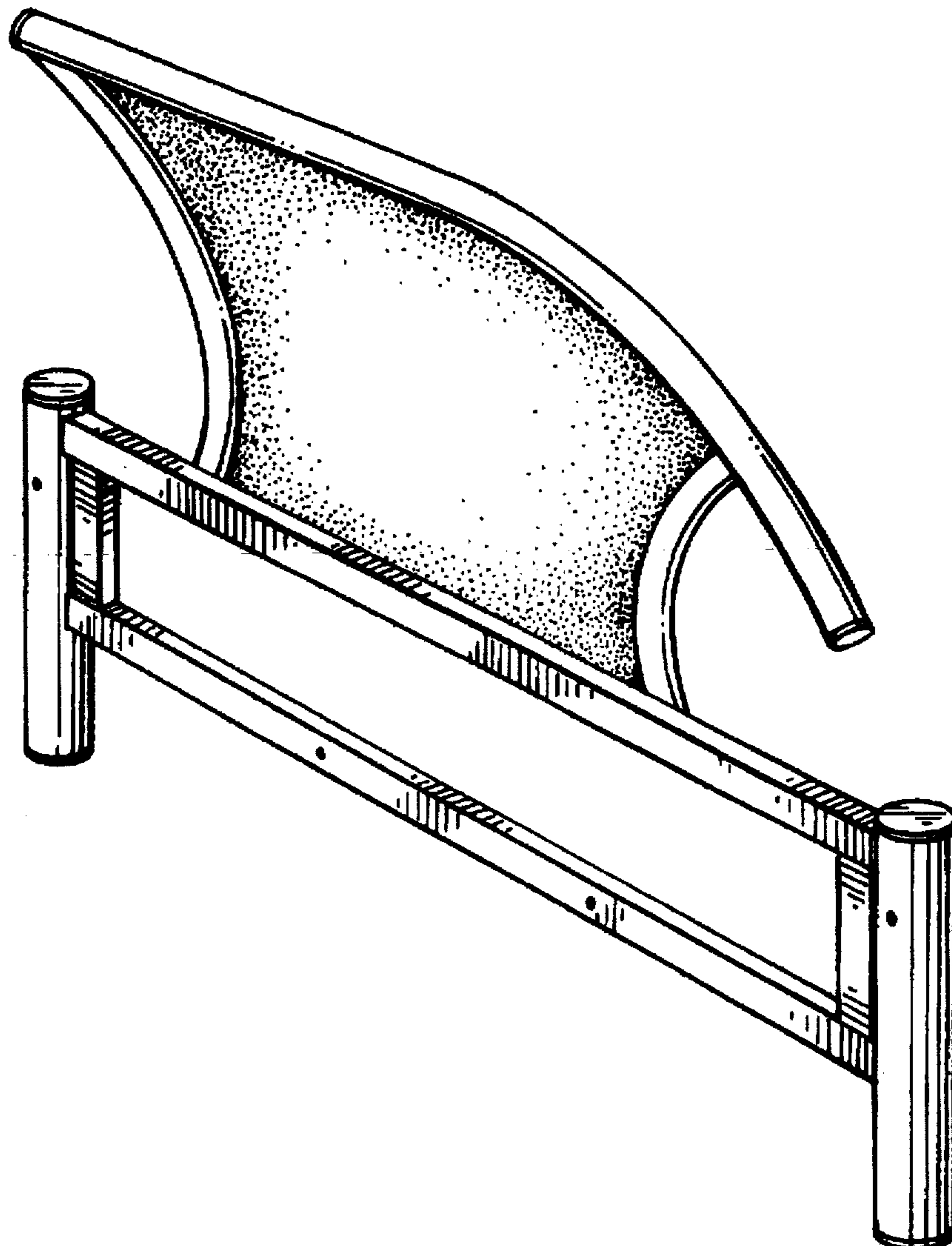


FIG. 1

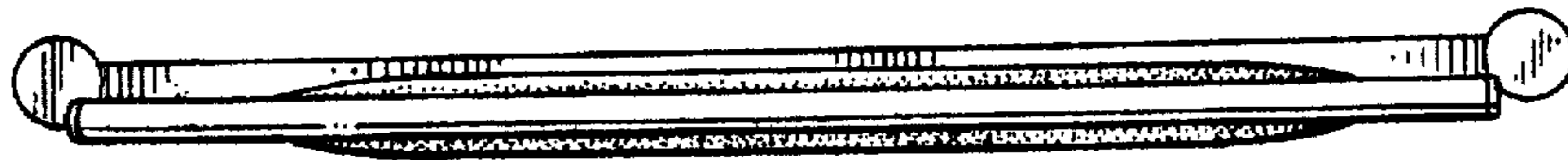


FIG. 3

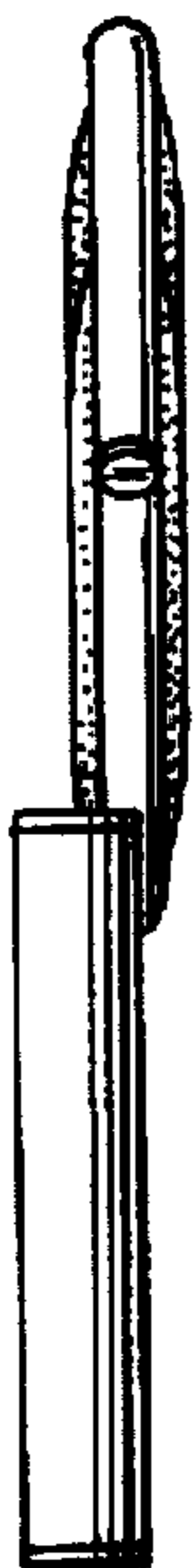


FIG. 2

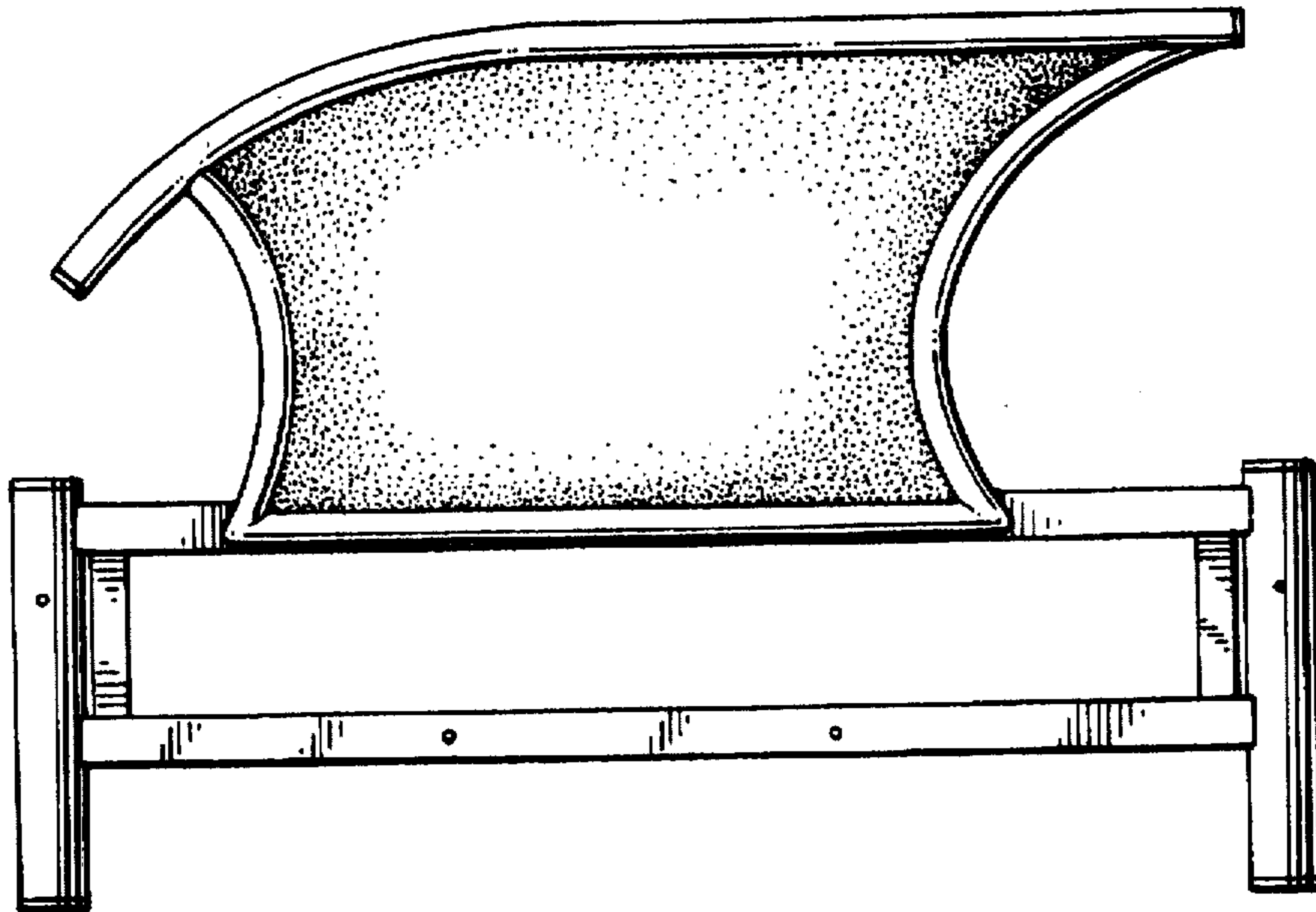


FIG. 4

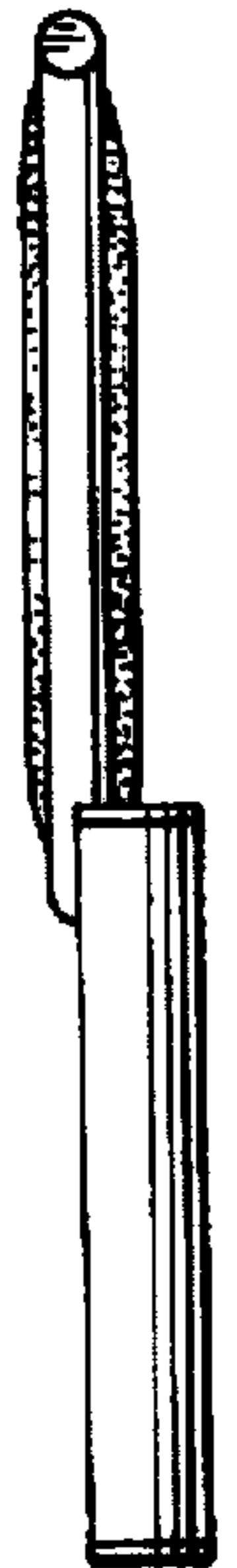


FIG. 5

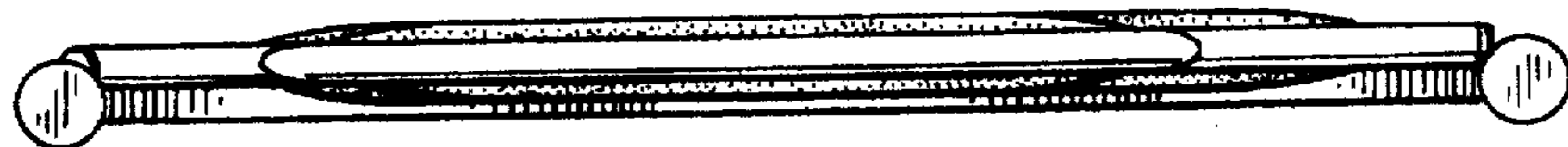


FIG. 6

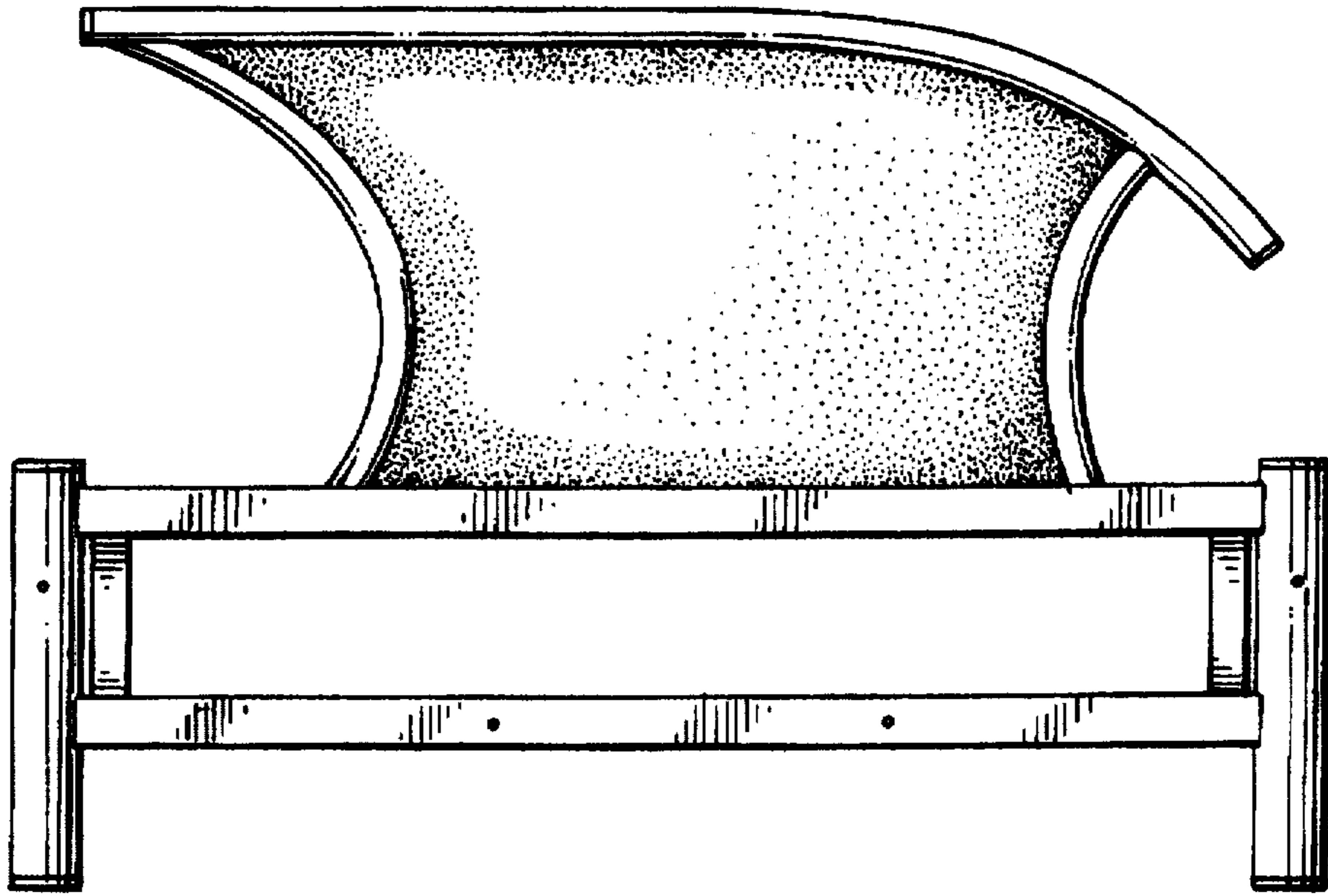


FIG. 7

