

US00D391424S

United States Patent [19]
Raftery

[11] **Patent Number:** **Des. 391,424**
[45] **Date of Patent:** ****Mar. 3, 1998**

[54] **CHAIR SEAT**

[76] **Inventor:** **William B. Raftery**, 4864 Waltham Crossing, NW., Canton, Ohio 44718
[**] **Term:** **14 Years**
[21] **Appl. No.:** **64,493**
[22] **Filed:** **Jan. 3, 1997**
[51] **LOC (6) Cl.** **06-06**
[52] **U.S. Cl.** **D6/500; D6/366**
[58] **Field of Search** **D6/334, 364, 365, D6/366, 367, 379, 500, 501, 502; 297/411.36, 411.4**

[56] **References Cited**

U.S. PATENT DOCUMENTS

D. 185,849	8/1959	Christenson et al.	D6/366
D. 241,389	9/1976	Ball	D6/366
D. 293,517	1/1988	Bellini	D6/366
D. 351,069	10/1994	Orlandini et al.	D6/366
3,774,960	11/1973	Blodee	D6/366 X
4,007,962	2/1977	Müller-Deisig	.	
4,157,203	6/1979	Ambasz	.	
4,585,272	4/1986	Ballarini	.	
4,830,430	5/1989	Schäfer	.	
5,195,804	3/1993	Stolle et al.	.	
5,249,839	10/1993	Faiks et al.	.	
5,385,388	1/1995	Faiks et al.	.	

Primary Examiner—Gary D. Watson
Attorney, Agent, or Firm—Sand & Sebolt

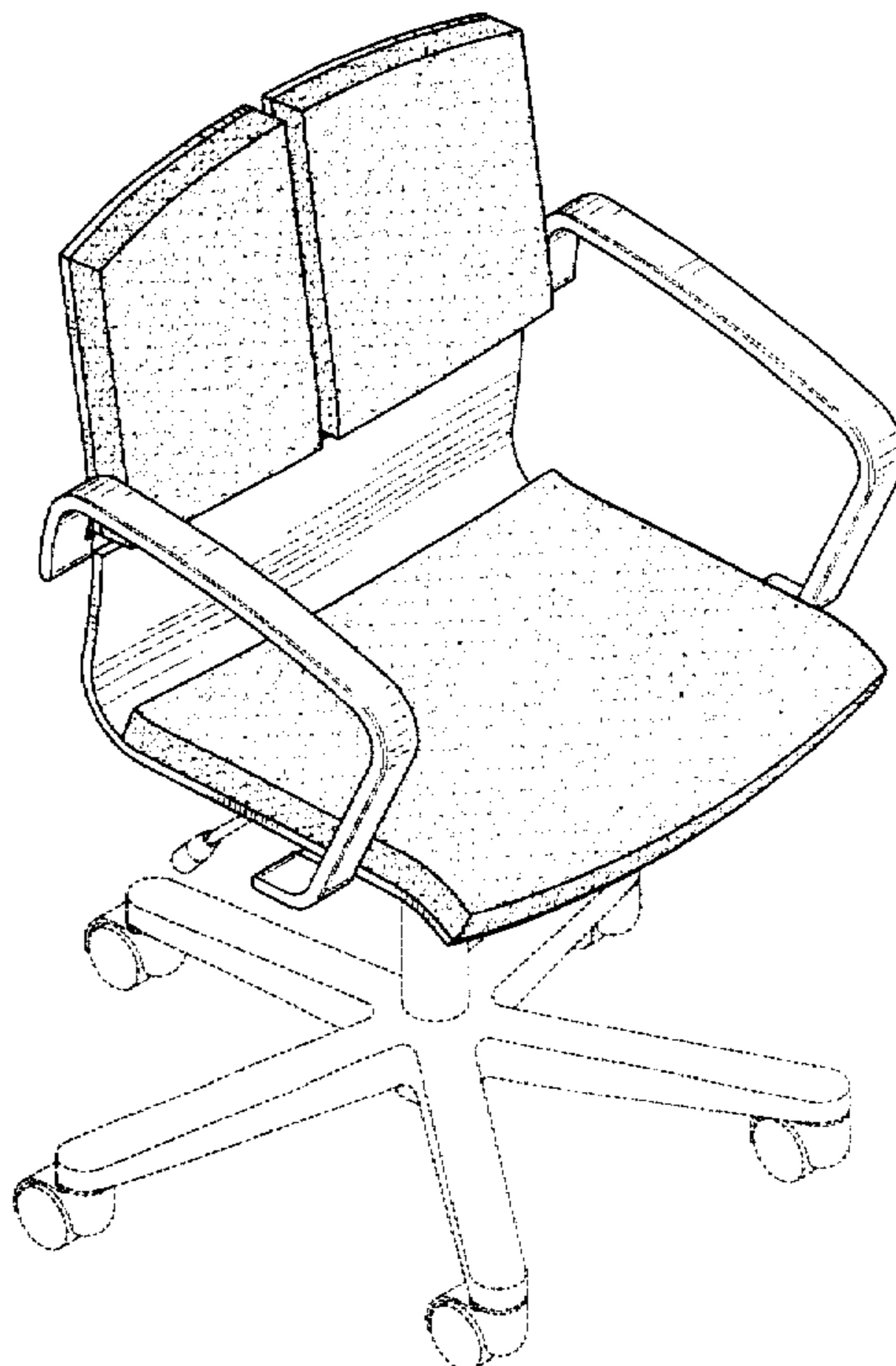
[57] **CLAIM**

The ornamental design for a chair seat, as shown and described.

DESCRIPTION

FIG. 1 is a top persepective view of a chair seat;
FIG. 2 is a front elevational view of the chair seat of FIG. 1;
FIG. 3 is a right side elevational view of the chair seat of FIG. 1;
FIG. 4 is a back elevational view of the chair seat of FIG. 1;
FIG. 5 is a top plan view of the chair seat of FIG. 1;
FIG. 6 is a bottom plan view of the chair seat of FIG. 1;
FIG. 7 is a top perspective view of a second embodiment of the chair seat of the present invention;
FIG. 8 is a front elevational view of the chair seat of FIG. 7;
FIG. 9 is a right side elevational view of the chair seat of FIG. 7;
FIG. 10 is a back elevational view of the chair seat of FIG. 7;
FIG. 11 is a top plan view of the chair seat of FIG. 7;
FIG. 12 is a bottom plan view of the chair seat of FIG. 7;
FIG. 13 is a top perspective view of a third embodiment of the chair seat of the present invention;
FIG. 14 is a front elevational view of the chair seat of FIG. 13;
FIG. 15 is a right side elevational view of the chair seat of FIG. 13;
FIG. 16 is a back elevational view of the chair seat of FIG. 13;
FIG. 17 is a top plan view of the chair seat of FIG. 13; and, FIG. 18 is a bottom plan view of the chair seat of FIG. 13. The left side view for FIGS. 3, 9 and 15 is a mirror image of the right side. The broken lines showing a spider base, or portions thereof, and a support pedestal are for environmental purposes only and form no part of the claimed design.

1 Claim, 18 Drawing Sheets



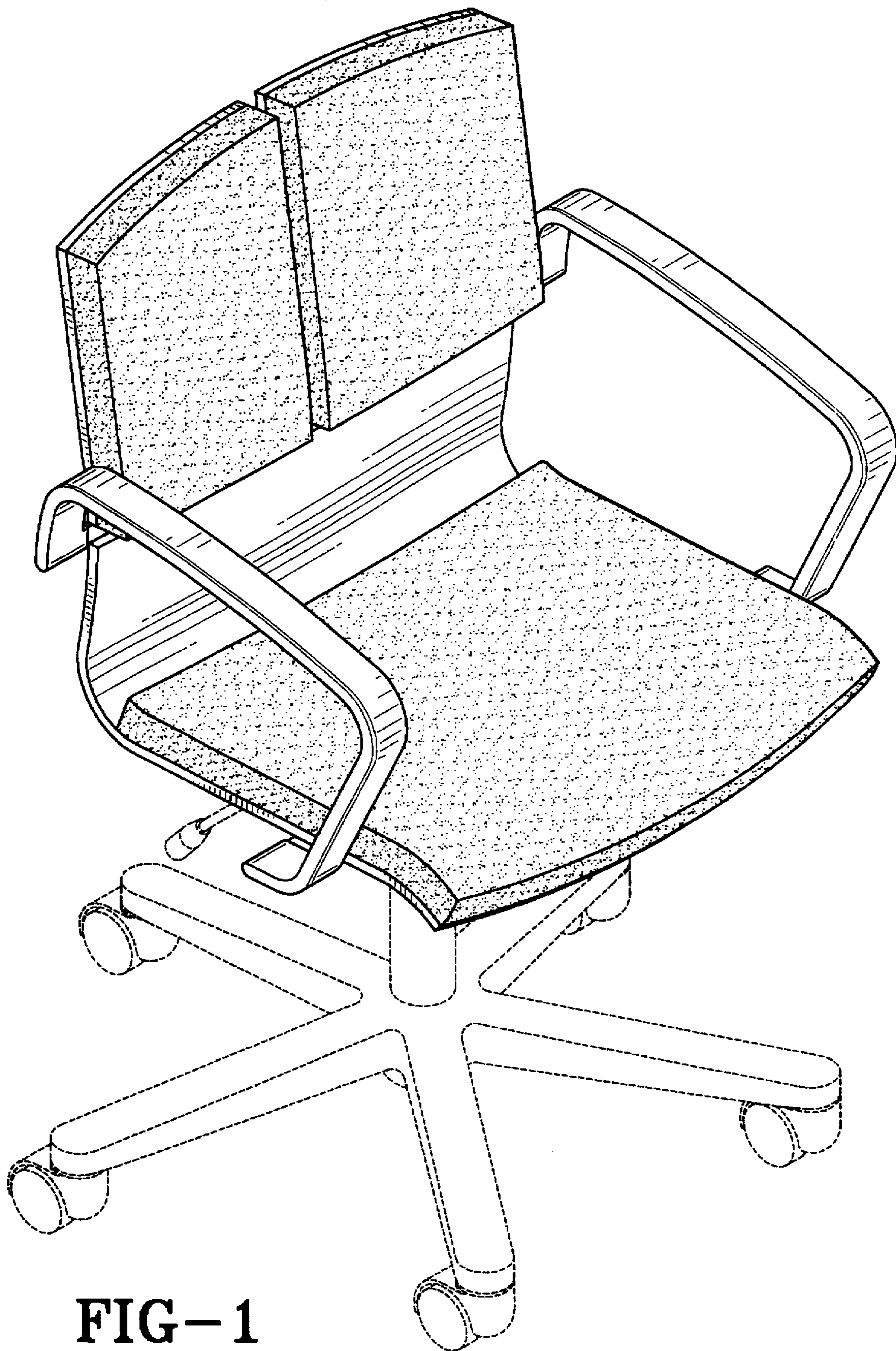


FIG-1

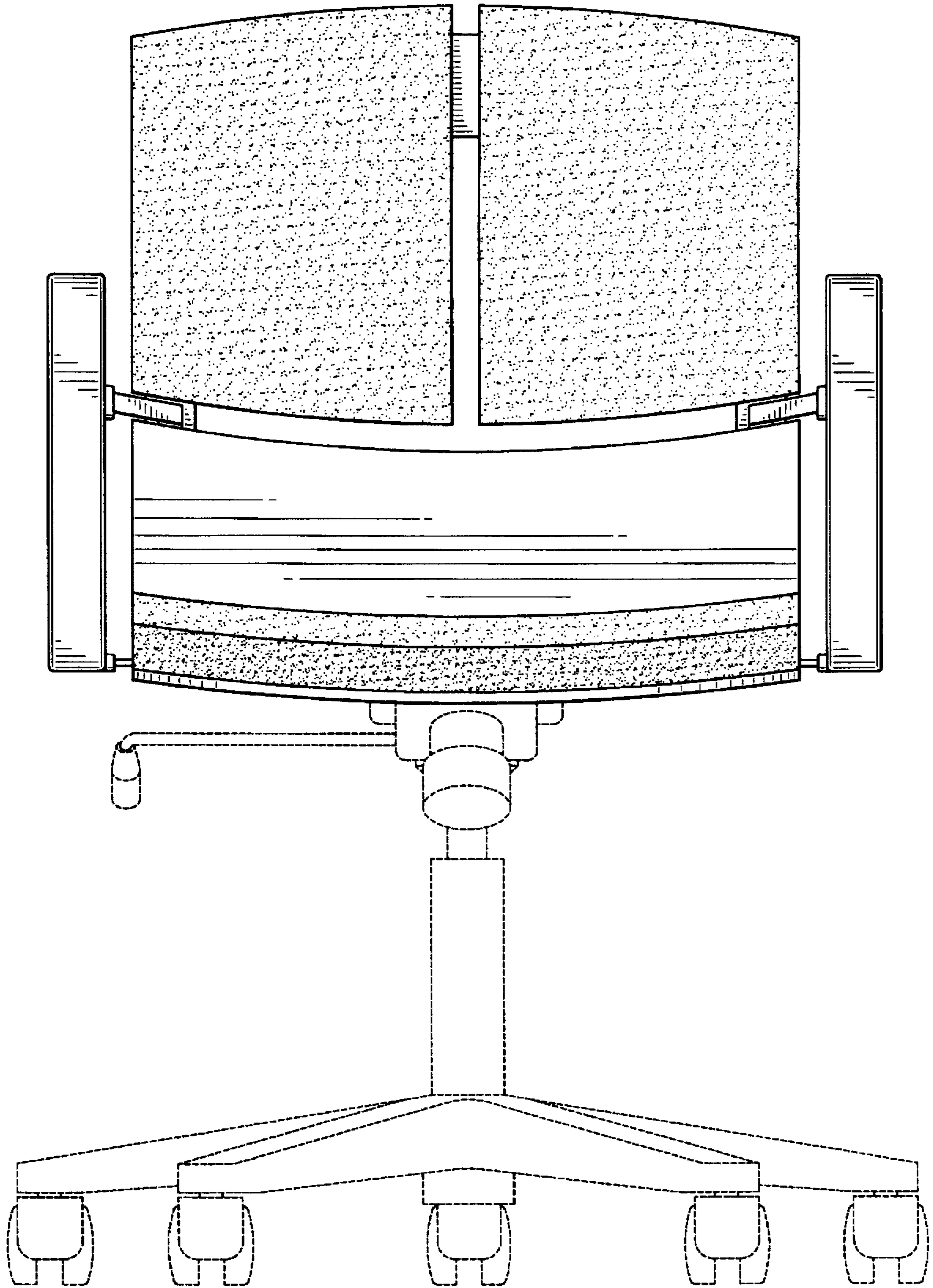


FIG-2

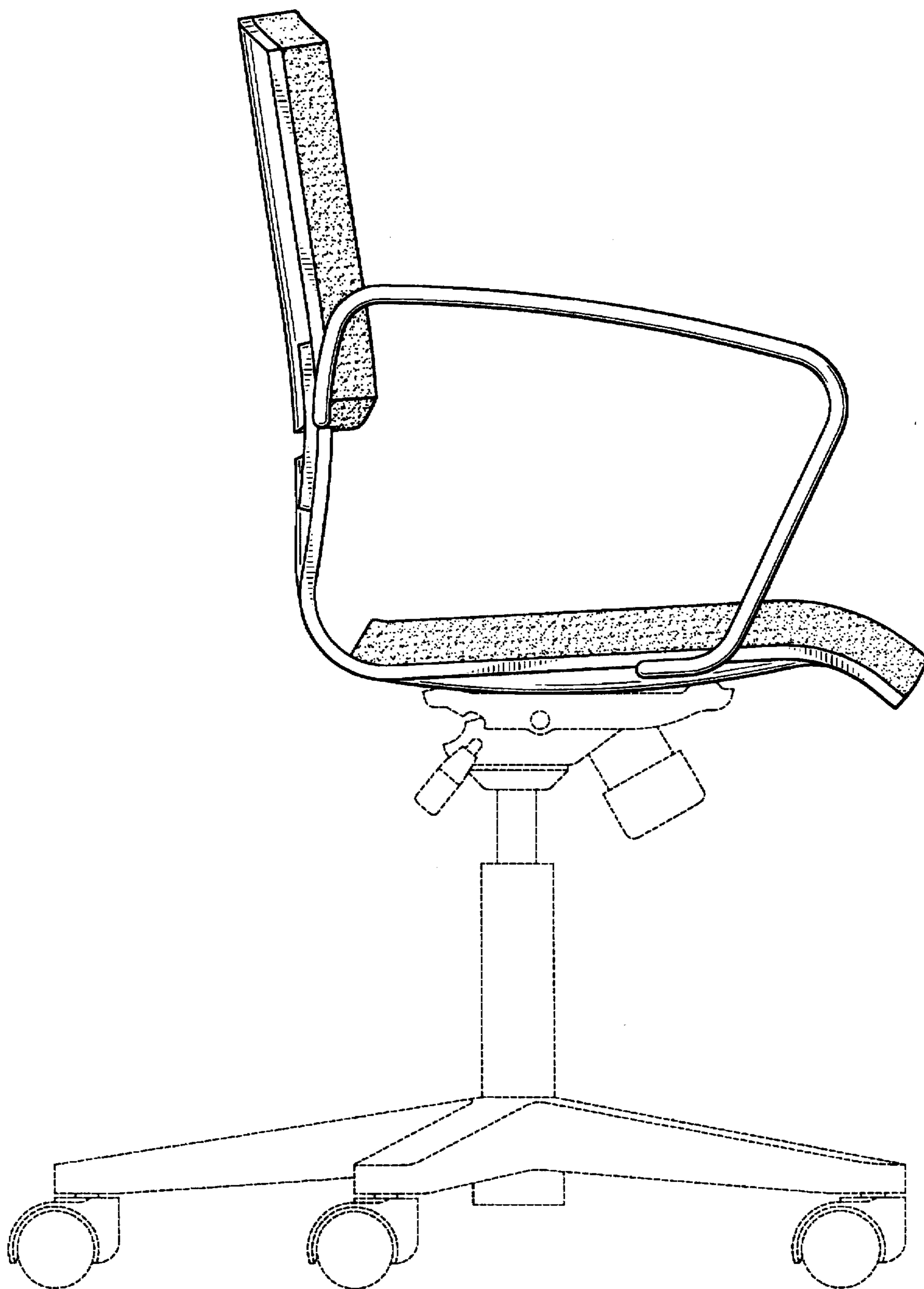


FIG-3

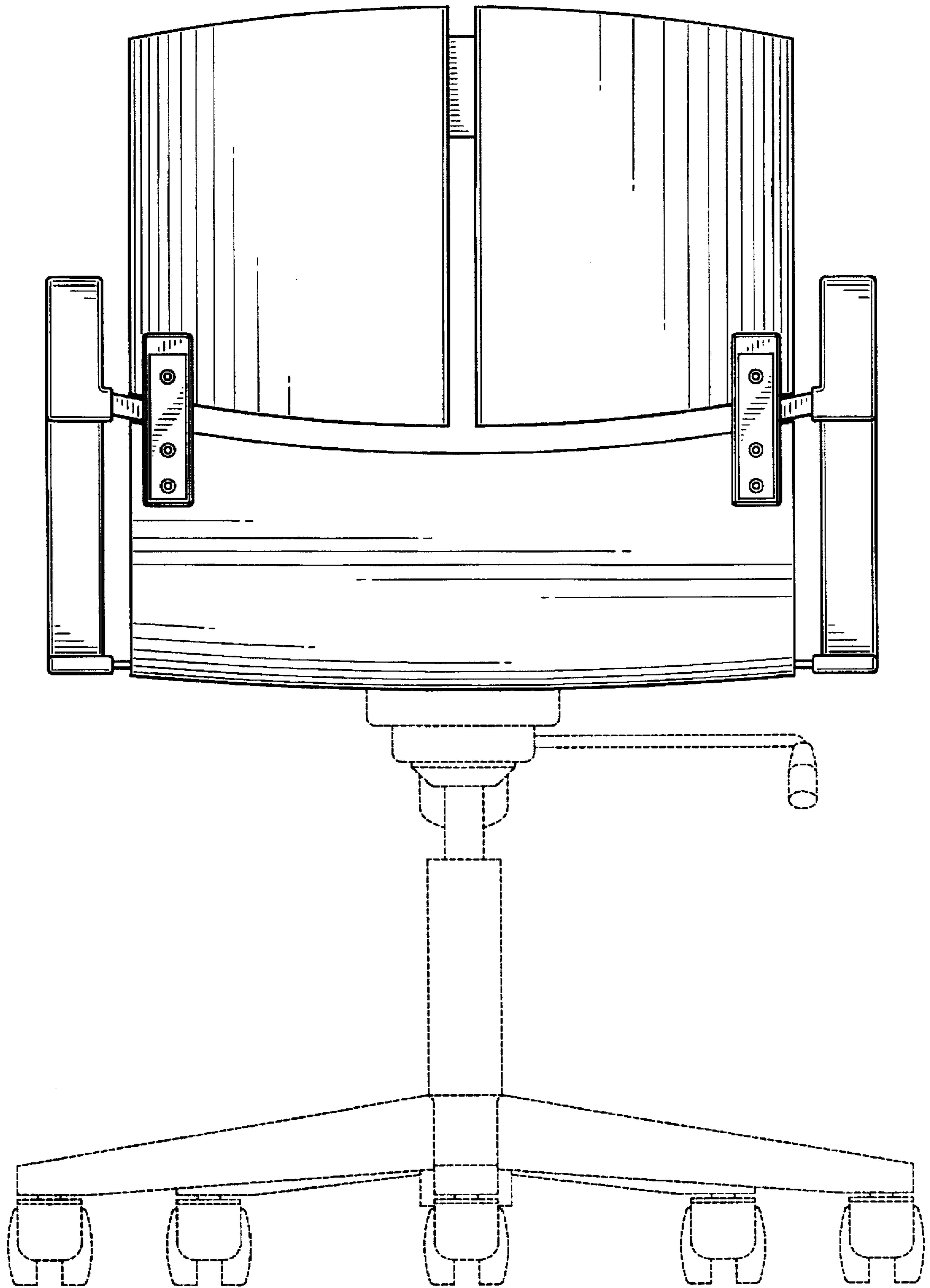


FIG-4

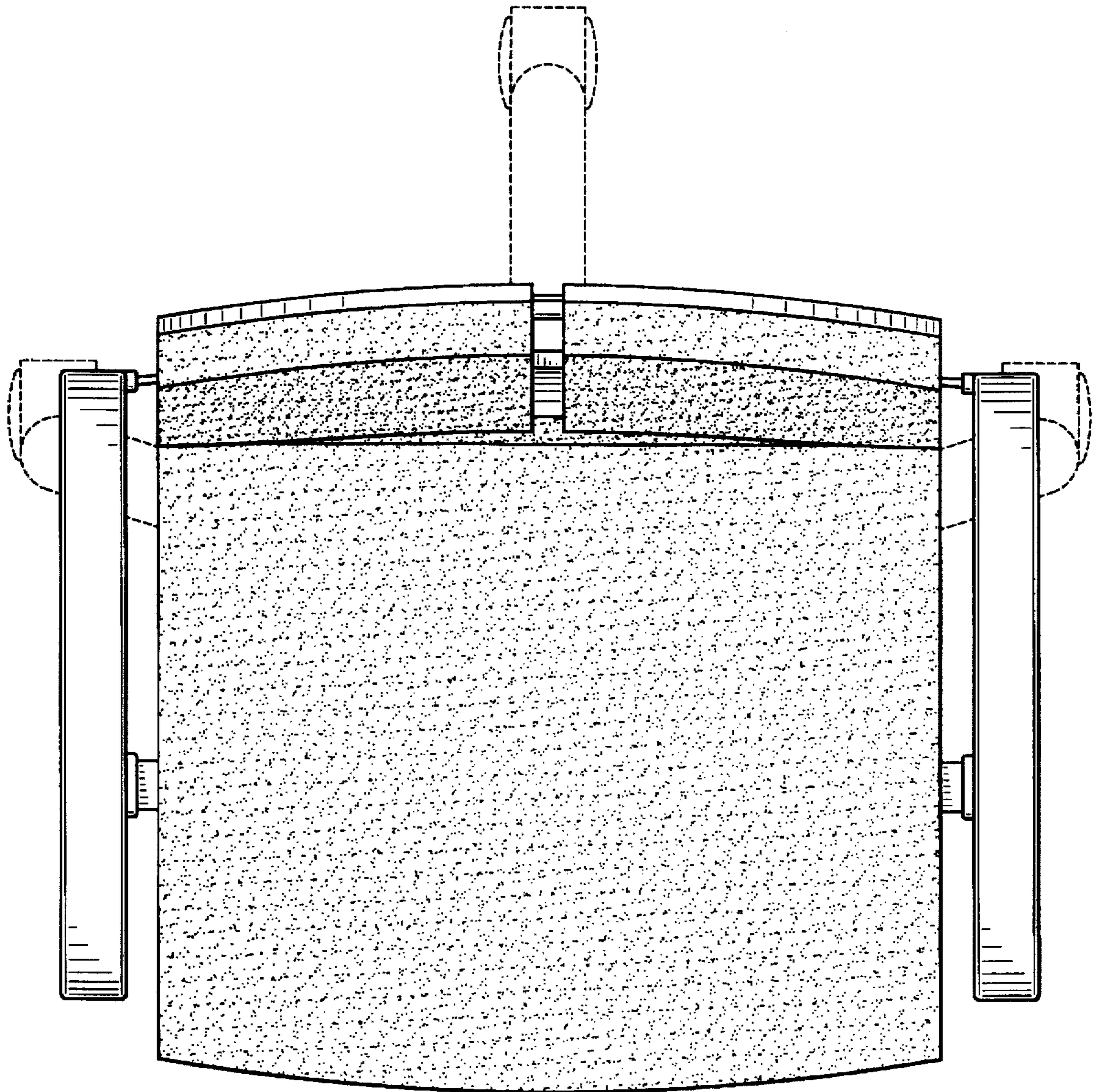


FIG-5

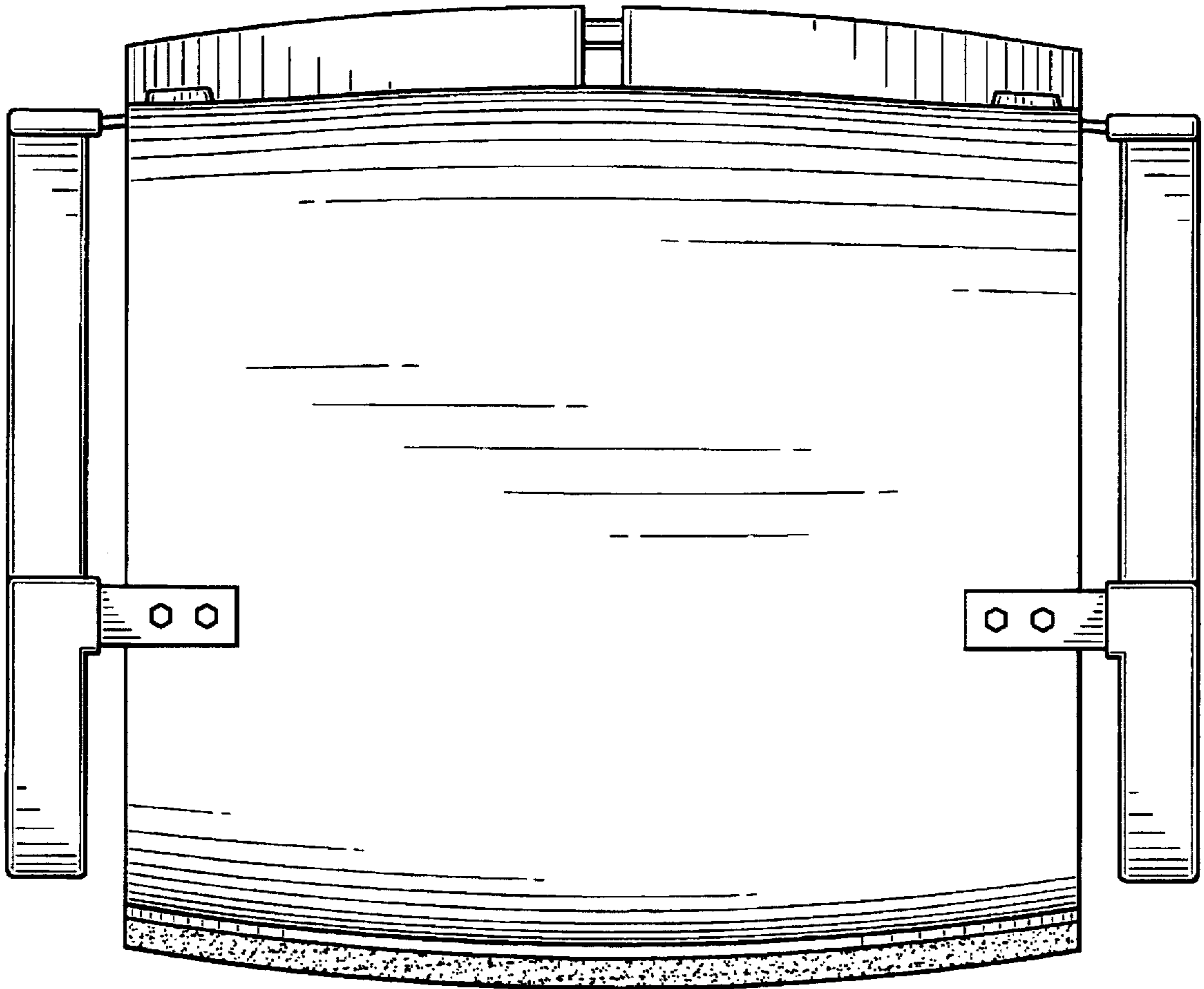


FIG-6

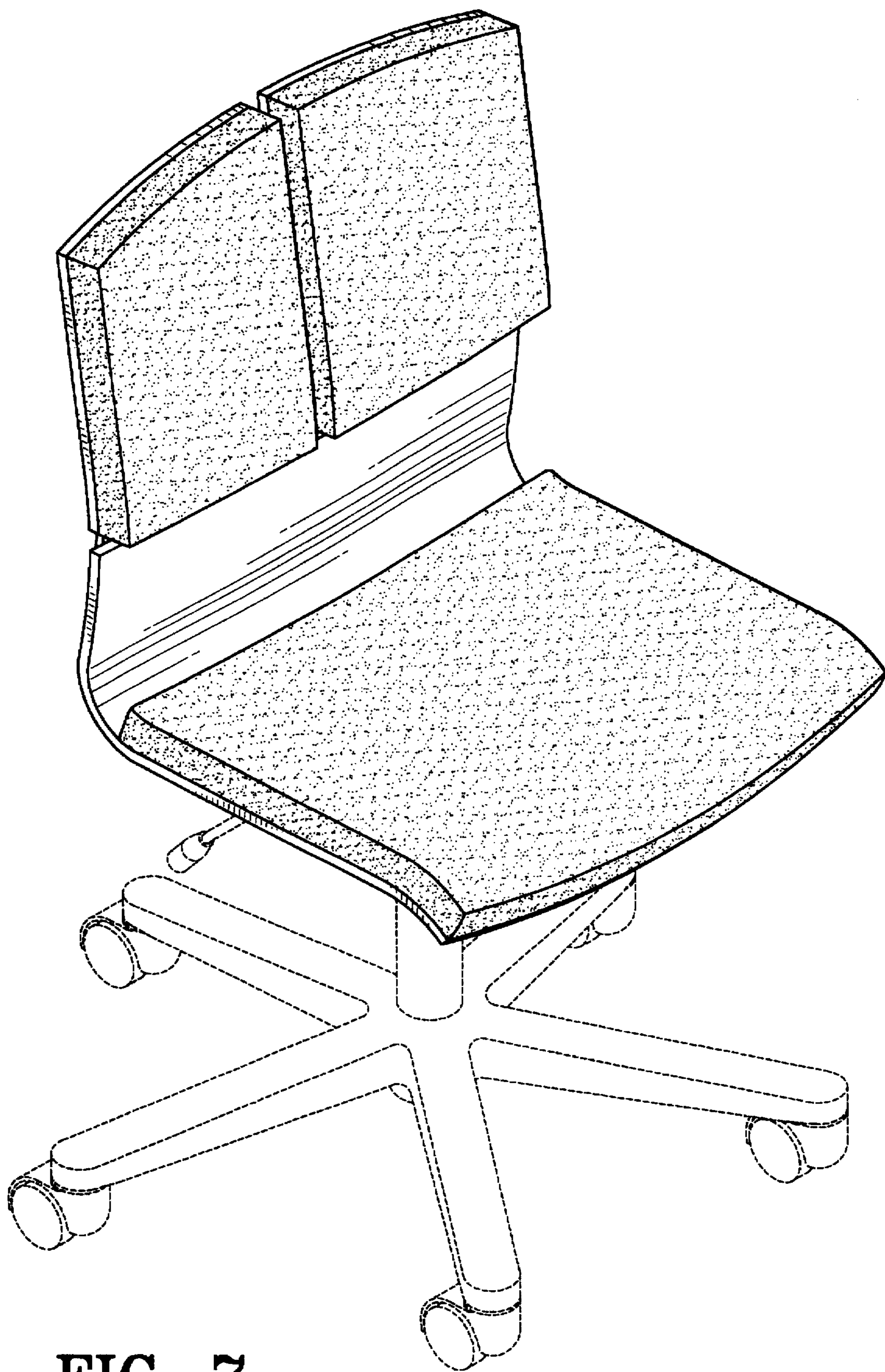


FIG-7

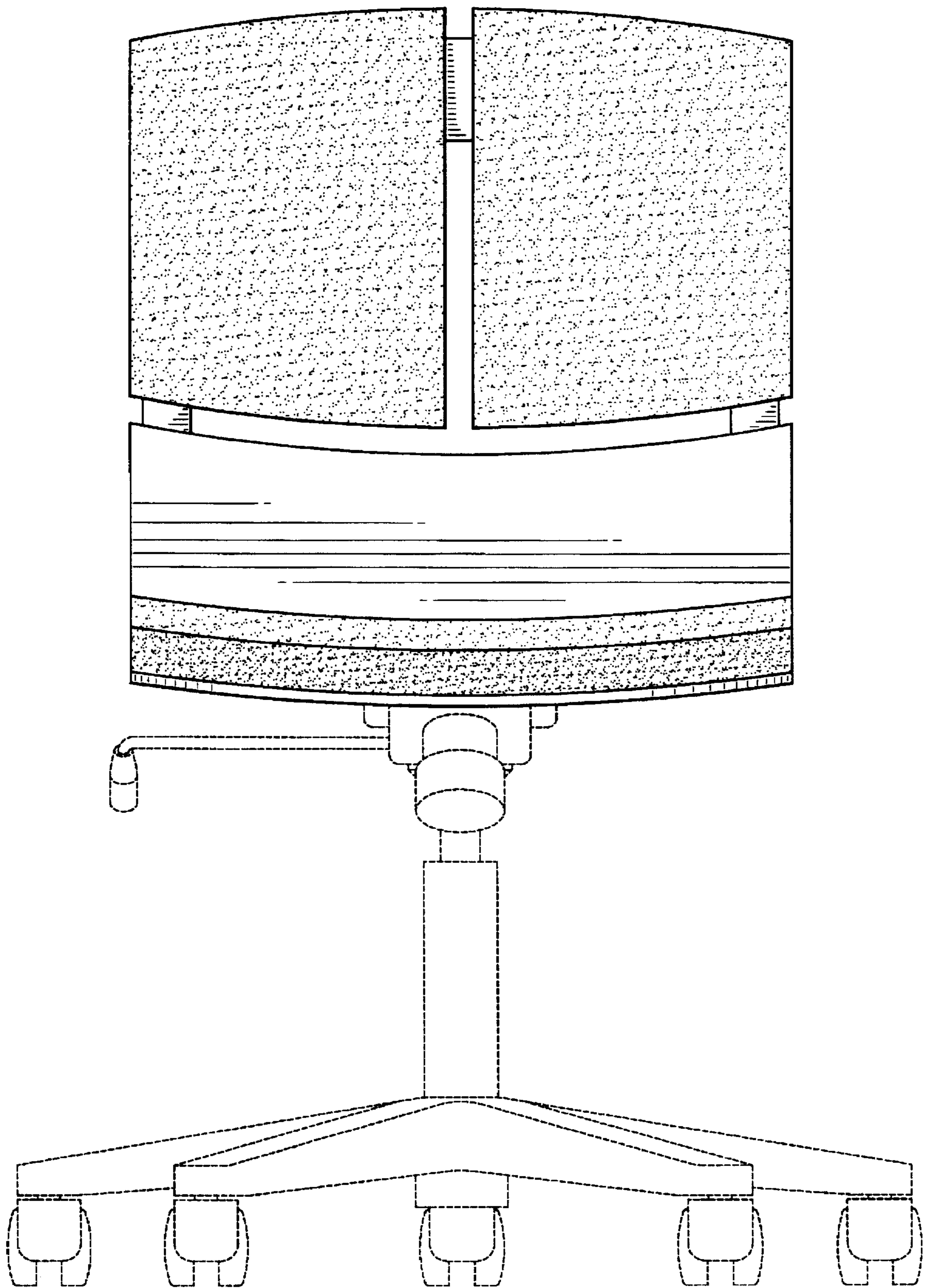


FIG-8

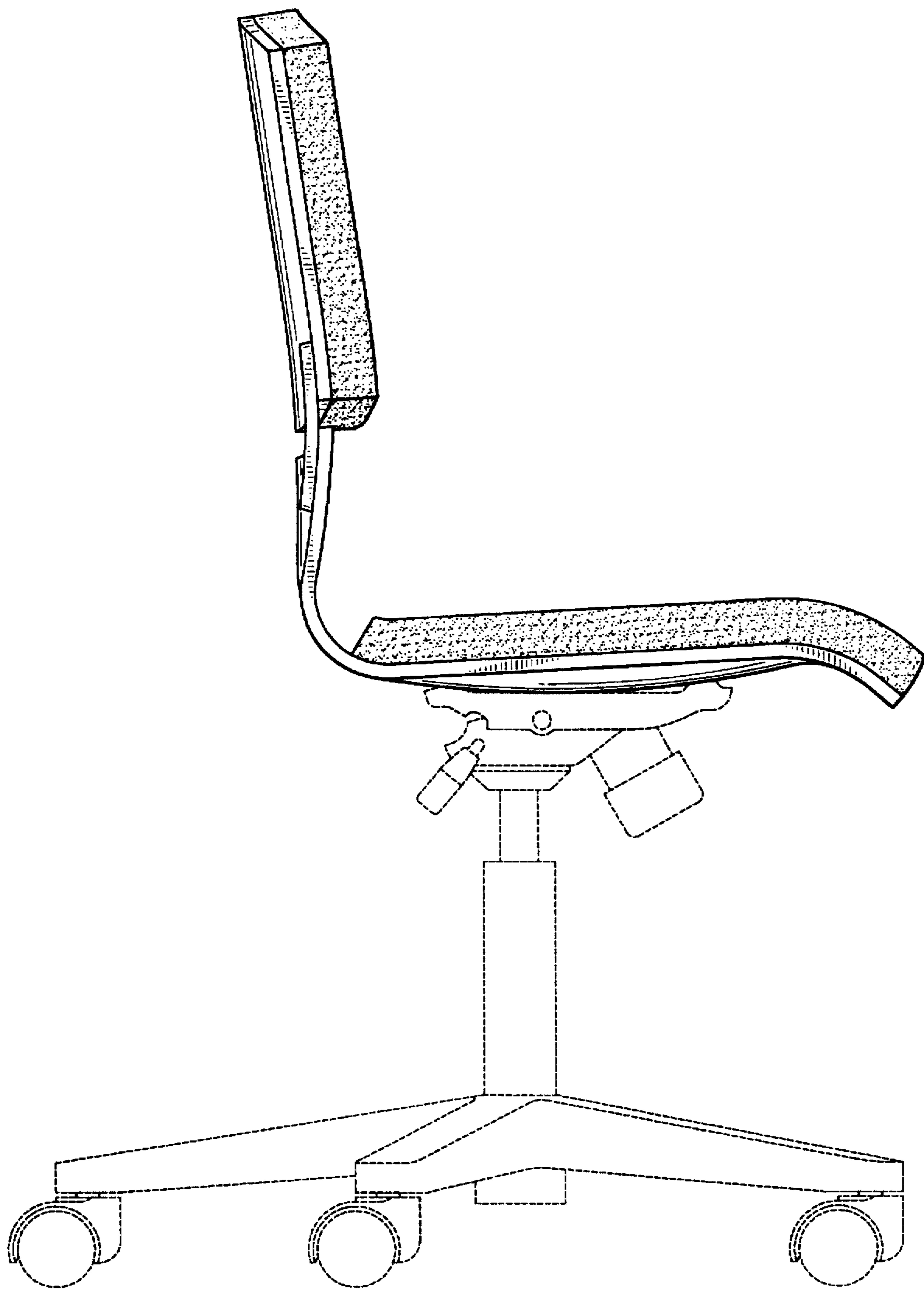


FIG-9

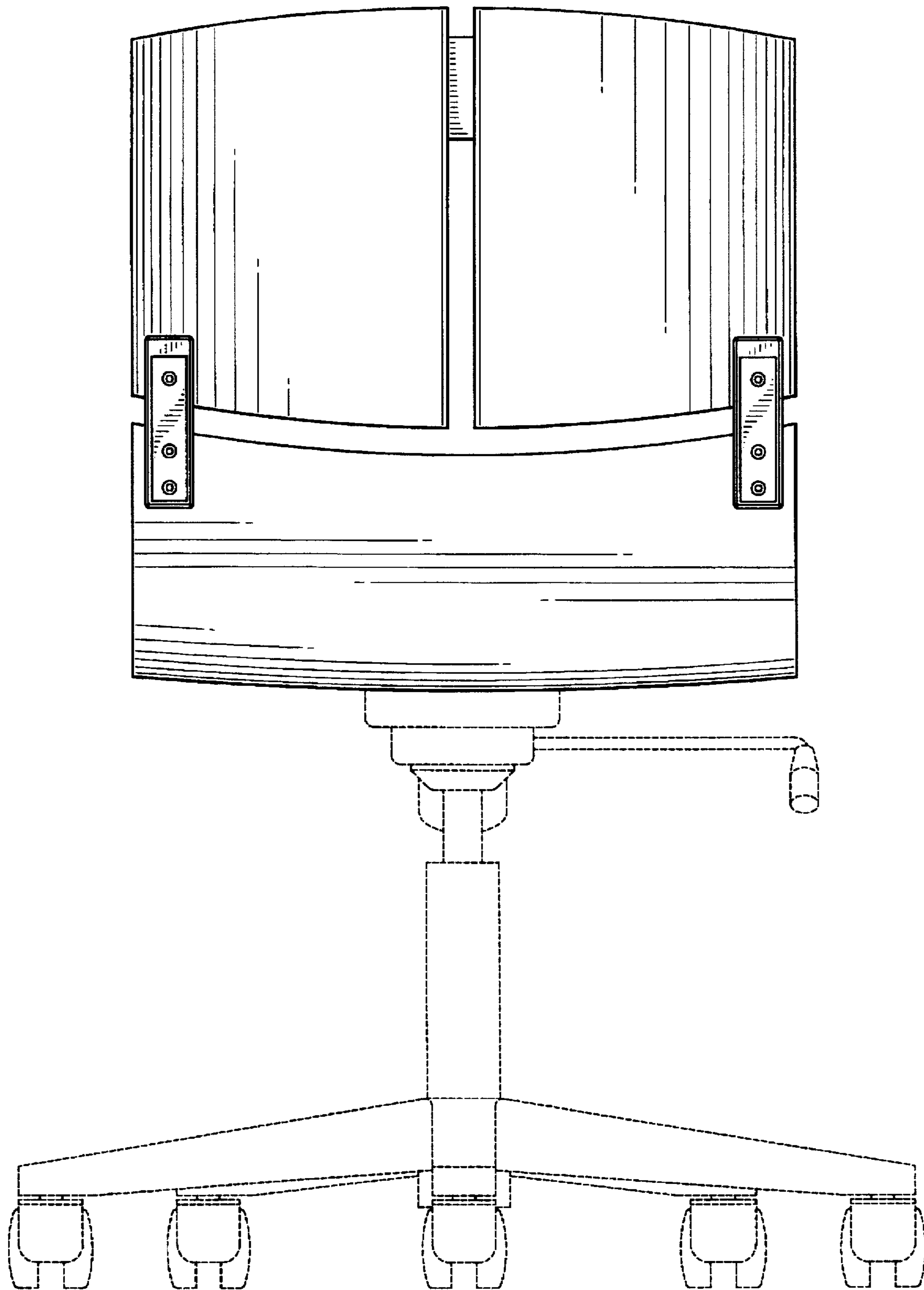


FIG-10

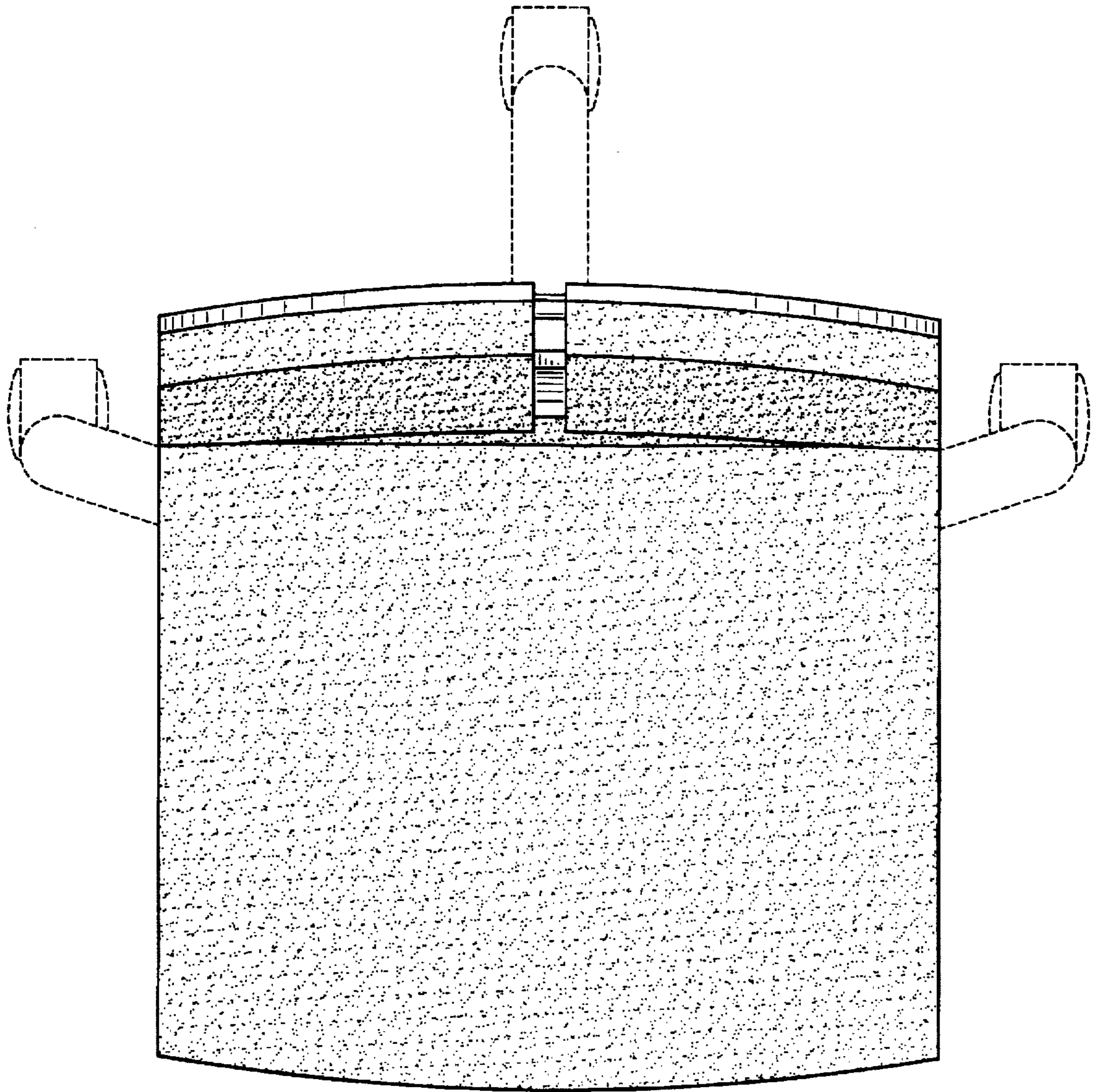


FIG-11

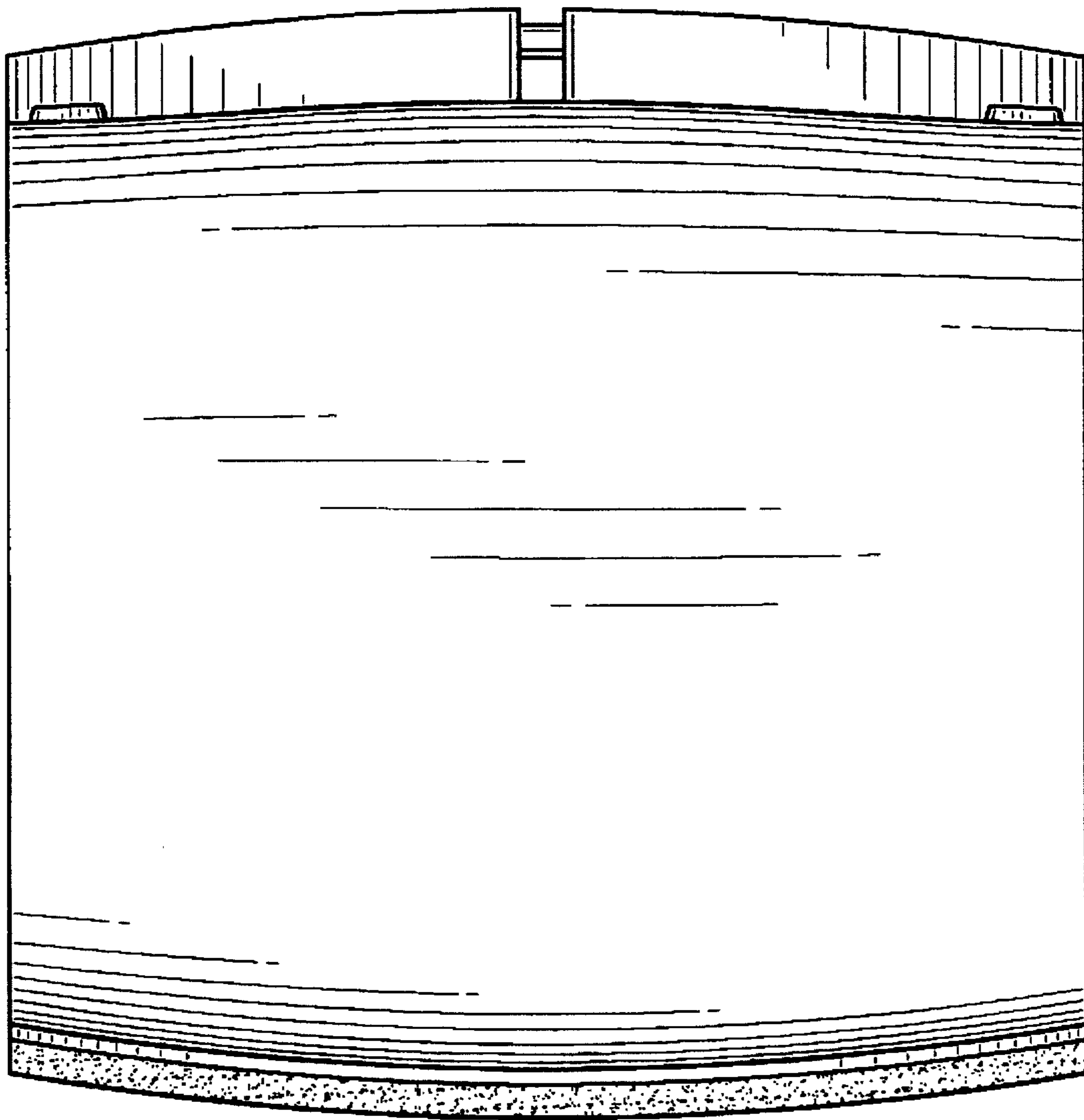


FIG-12

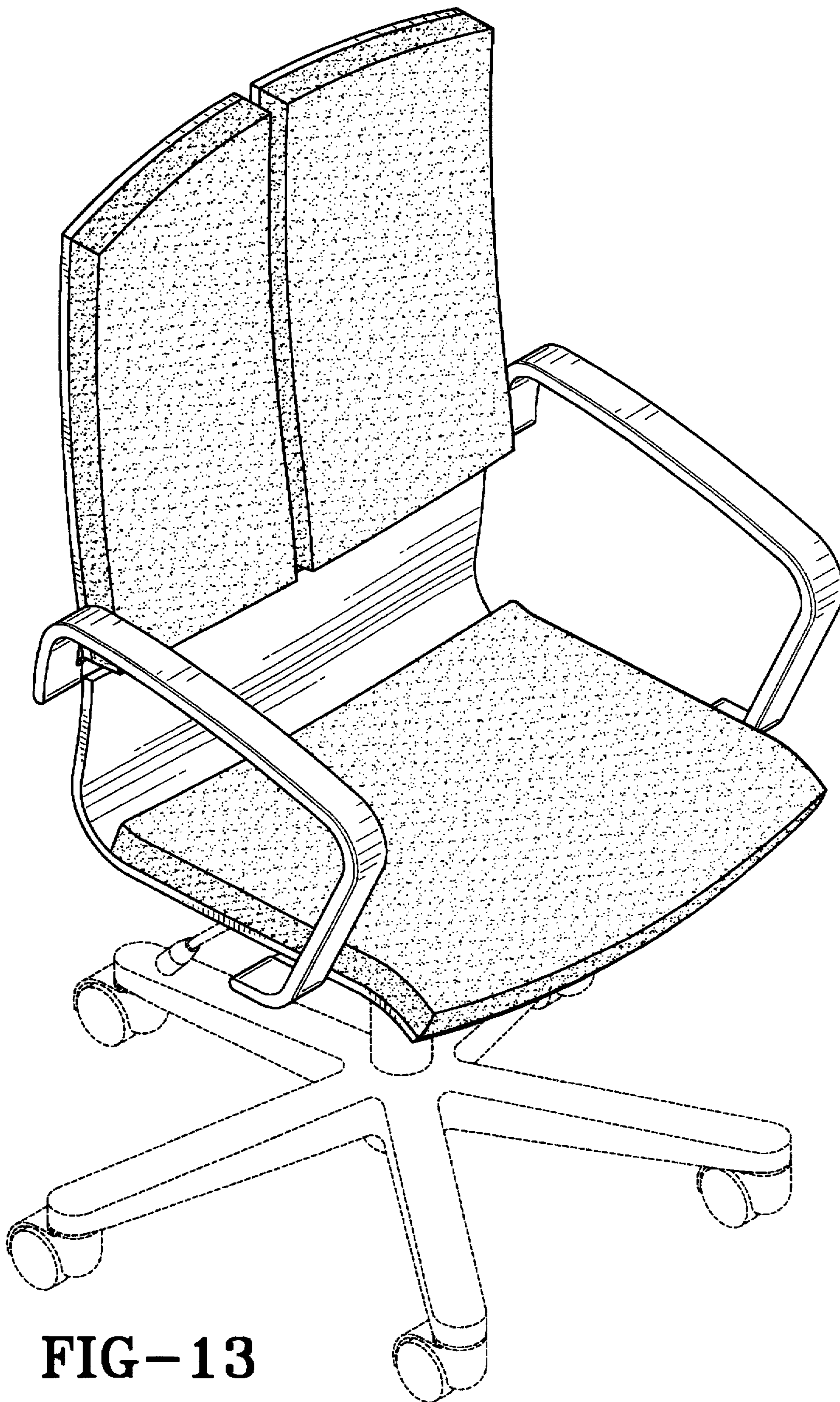


FIG-13

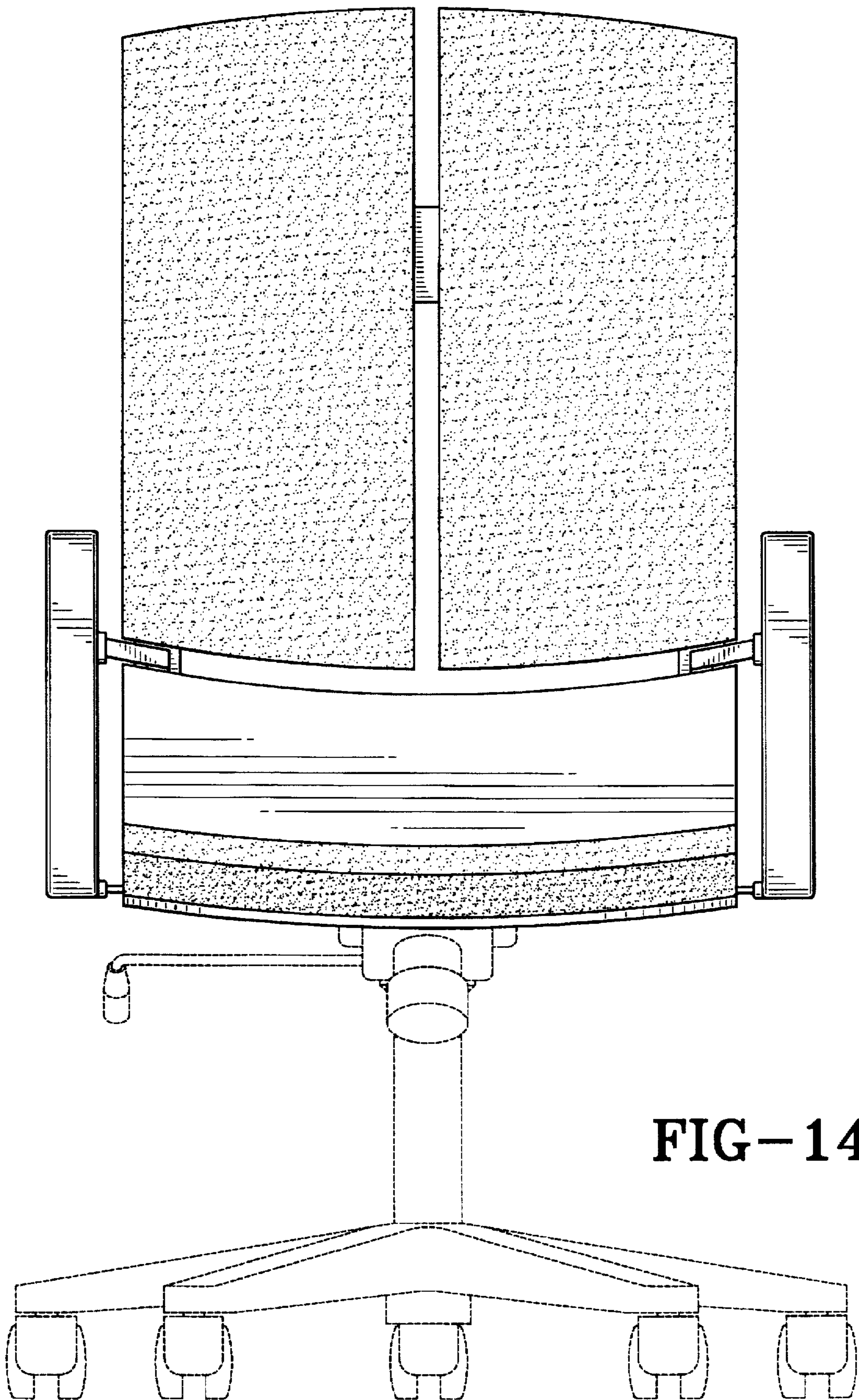


FIG-14

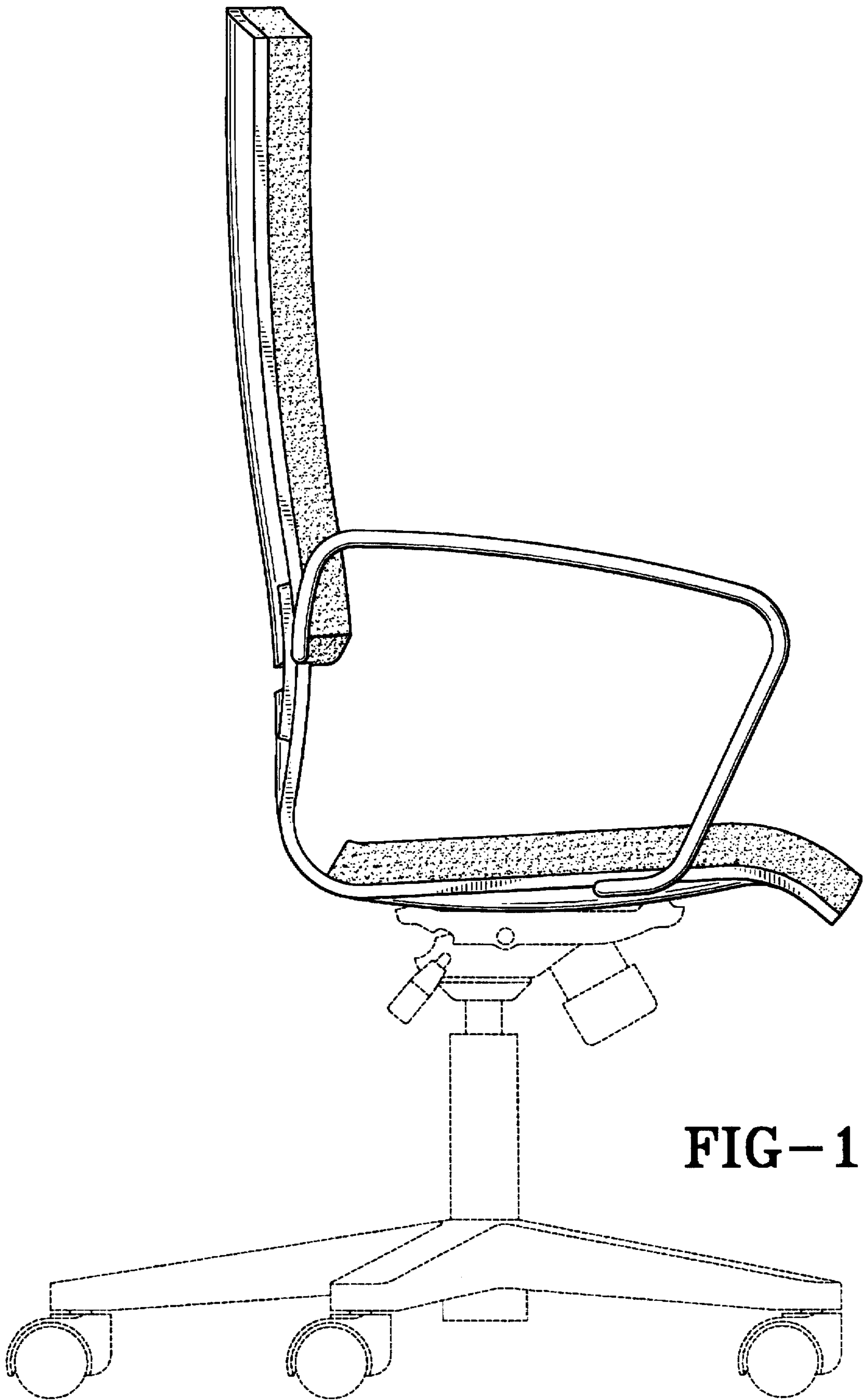


FIG-15

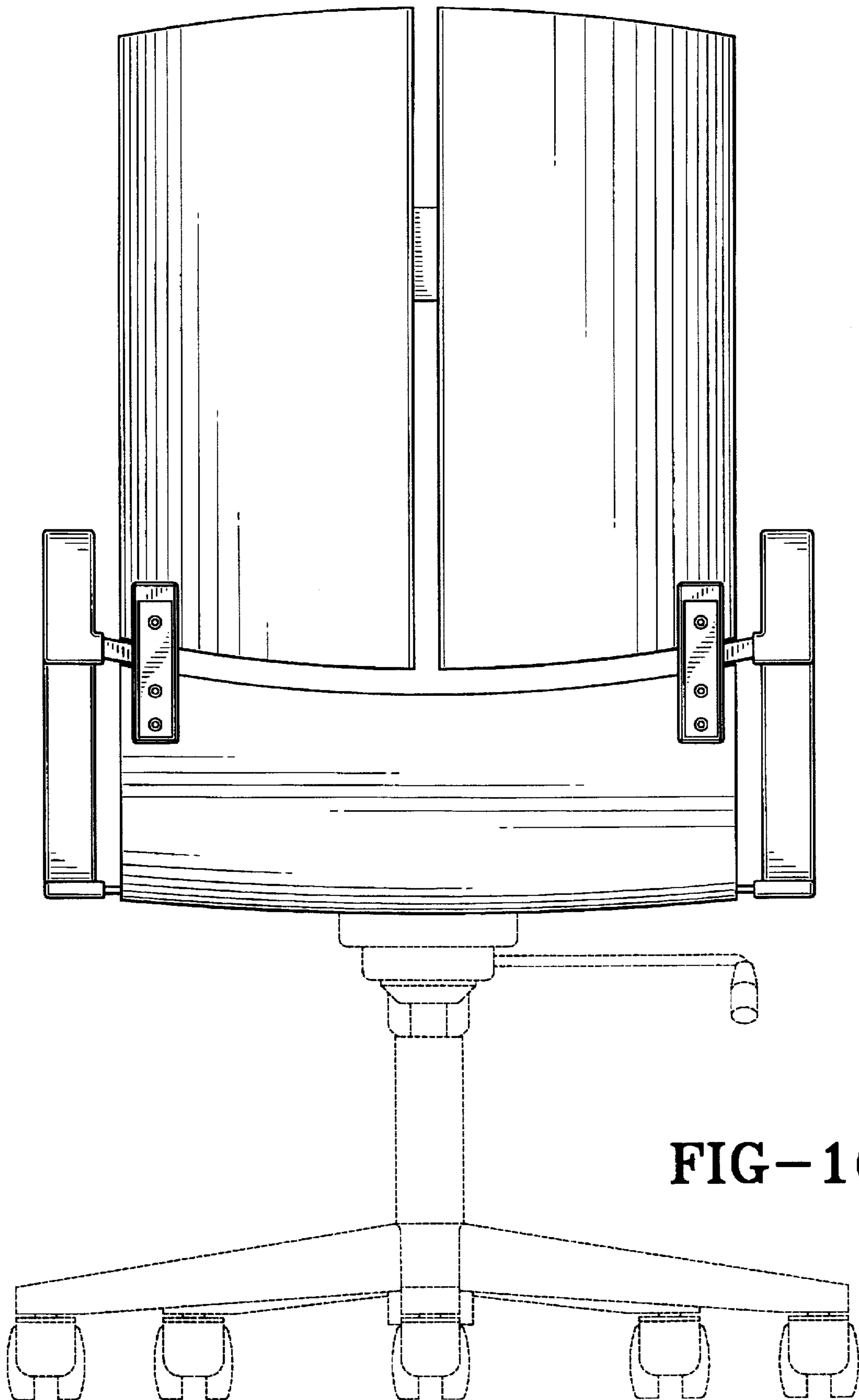


FIG-16

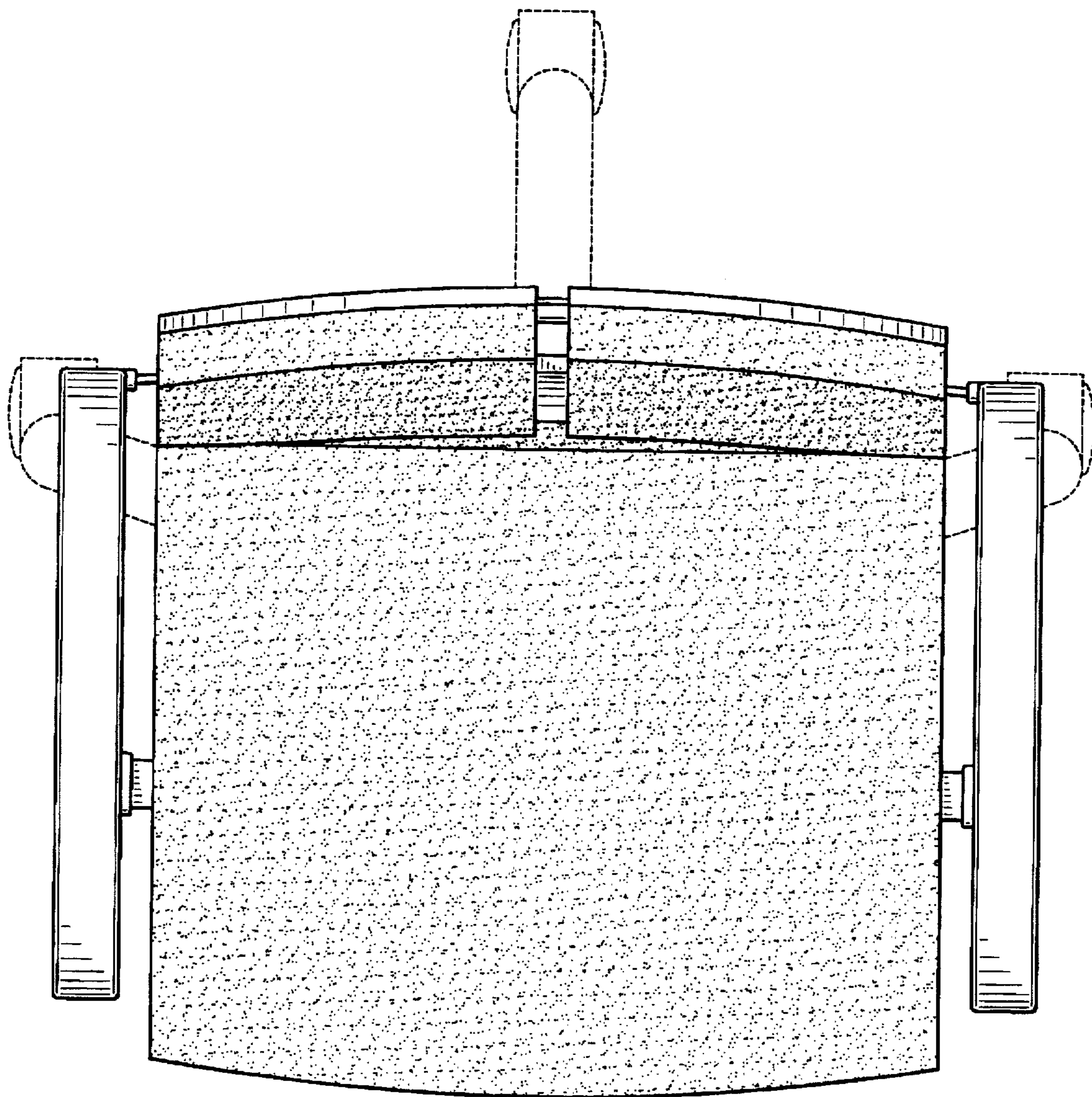


FIG-17

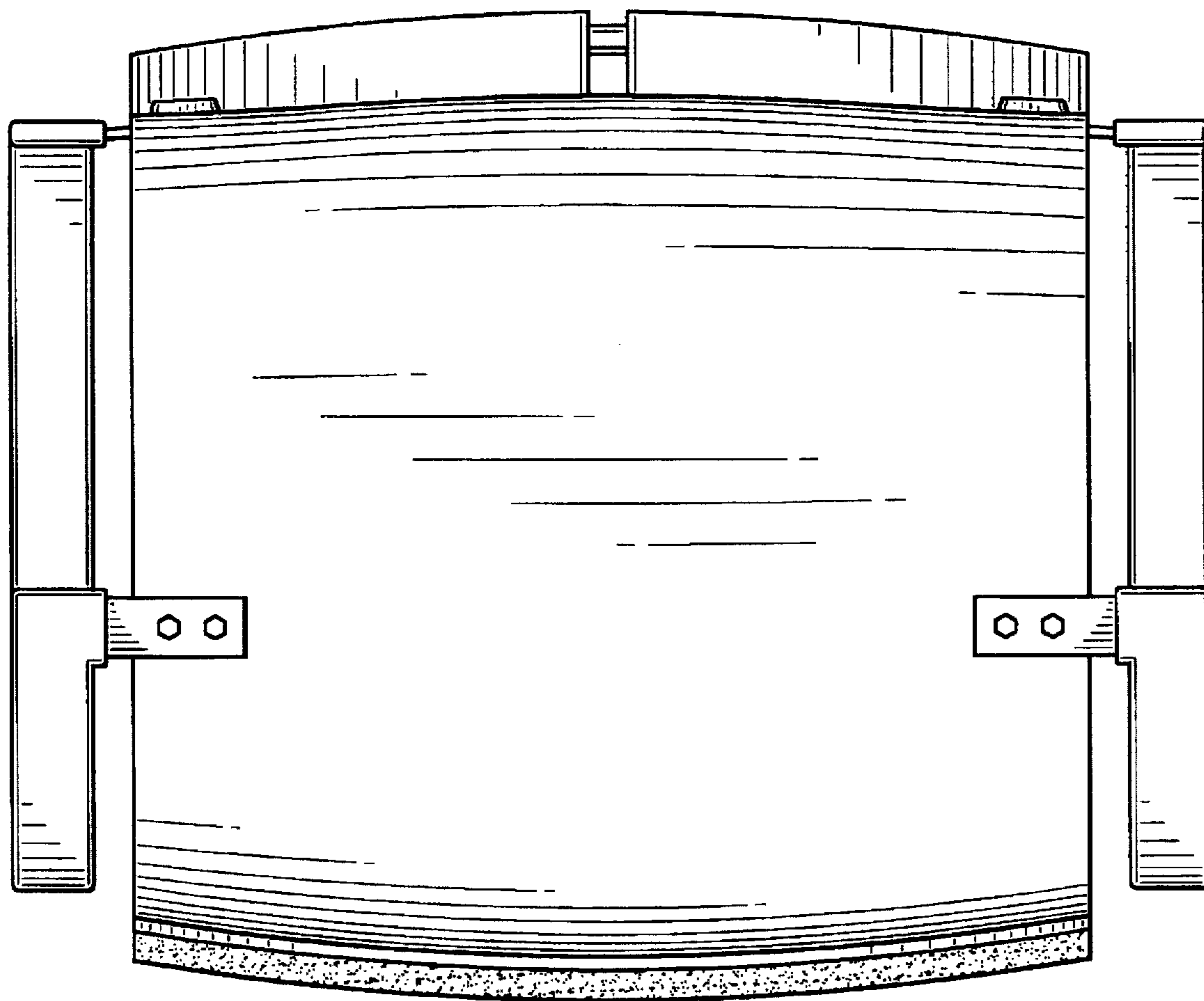


FIG-18