



US00D391421S

**United States Patent** [19]  
**Steelman**

[11] **Patent Number:** **Des. 391,421**  
[45] **Date of Patent:** **\*\*Mar. 3, 1998**

[54] **SHELVING APPARATUS**  
[75] **Inventor:** **Jerry Steelman, Minnetonka, Minn.**  
[73] **Assignee:** **Prairie Leisure Designs, Minneapolis, Minn.**  
[\*\*] **Term:** **14 Years**  
[21] **Appl. No.:** **55,246**  
[22] **Filed:** **May 31, 1996**  
[51] **LOC (6) Cl.** ..... **06-04**  
[52] **U.S. Cl.** ..... **D6/479**  
[58] **Field of Search** ..... D6/400, 405, 411, D6/449, 462-468, 474, 478, 479, 481-487, 490; D7/698, 702, 708; D34/21; 108/155, 106, 31, 28, 30, 59, 60, 91, 92, 93, 149, 151, 16; 211/13, 49.1, 71, 72, 90, 89, 134, 135, 153, 194, 188, 133, 187, 191

D. 248,915 8/1978 Brandenfels ..... D6/477 X  
D. 254,112 2/1980 Handler et al. .... D6/479  
2,983,389 5/1961 Trautmann ..... 108/31

*Primary Examiner*—James Gandy  
*Assistant Examiner*—Linda Brooks  
*Attorney, Agent, or Firm*—Merchant, Gould, Smith, Edell, Welter & Schmidt

[57] **CLAIM**

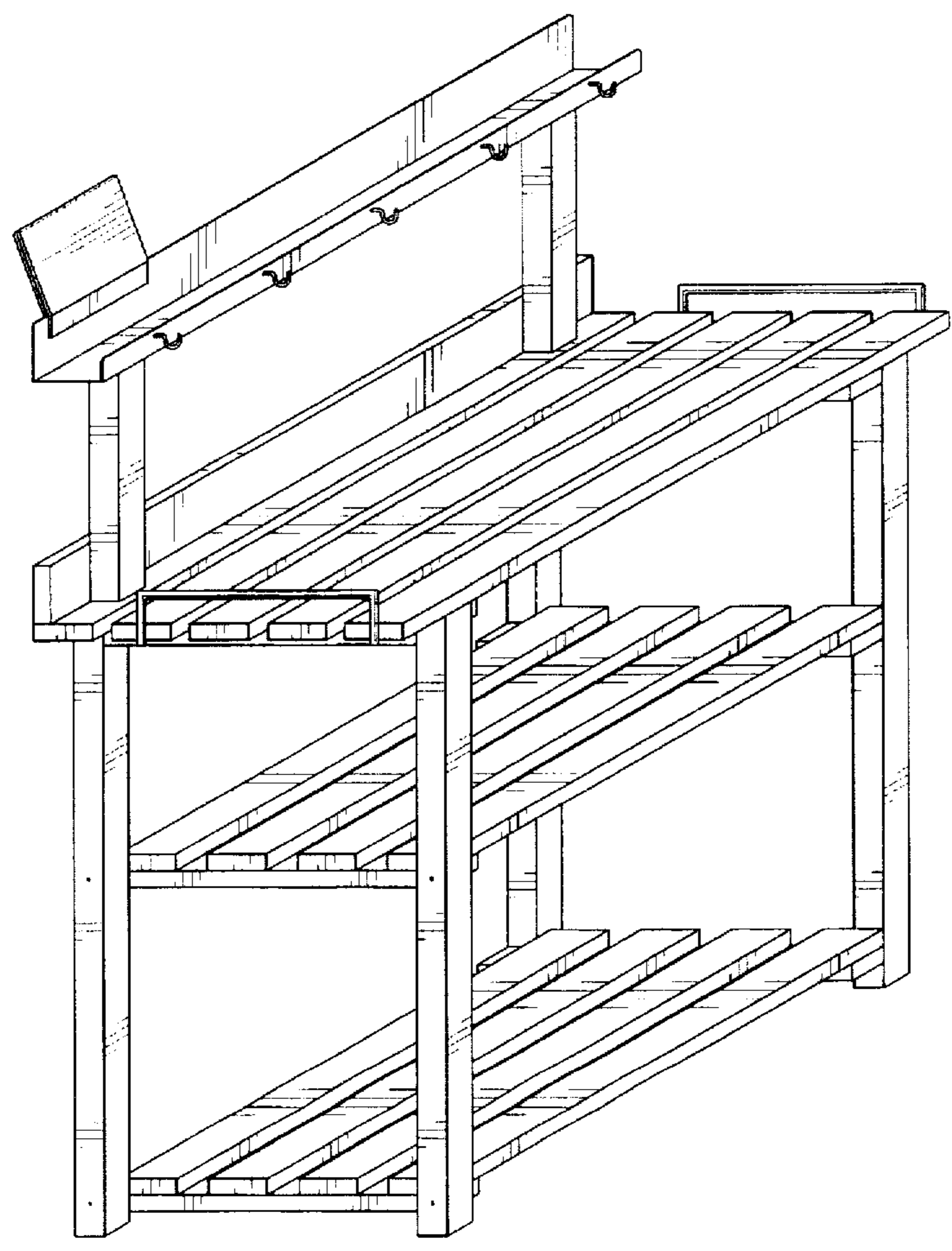
The ornamental design for a shelving apparatus, as shown and described.

**DESCRIPTION**

FIG. 1 shows a perspective view of a shelving apparatus according to the principles of the present invention; FIG. 2 shows a front elevational view thereof; FIG. 3 shows a rear elevational view thereof; FIG. 4 shows a left side elevational view thereof, a right side elevational view not being shown as it is a mirror image of the left side elevational view; FIG. 5 shows a top plan view thereof; FIG. 6 shows a bottom plan view thereof; and, FIG. 7 shows an exploded left side elevational view of FIG. 4.

[56] **References Cited**  
**U.S. PATENT DOCUMENTS**  
D. 237,931 12/1975 Brandenfels ..... D6/477 X  
D. 244,819 6/1977 Christen, Jr. .... D6/479 X  
D. 244,913 7/1977 Brandenfels ..... D6/462

**1 Claim, 6 Drawing Sheets**



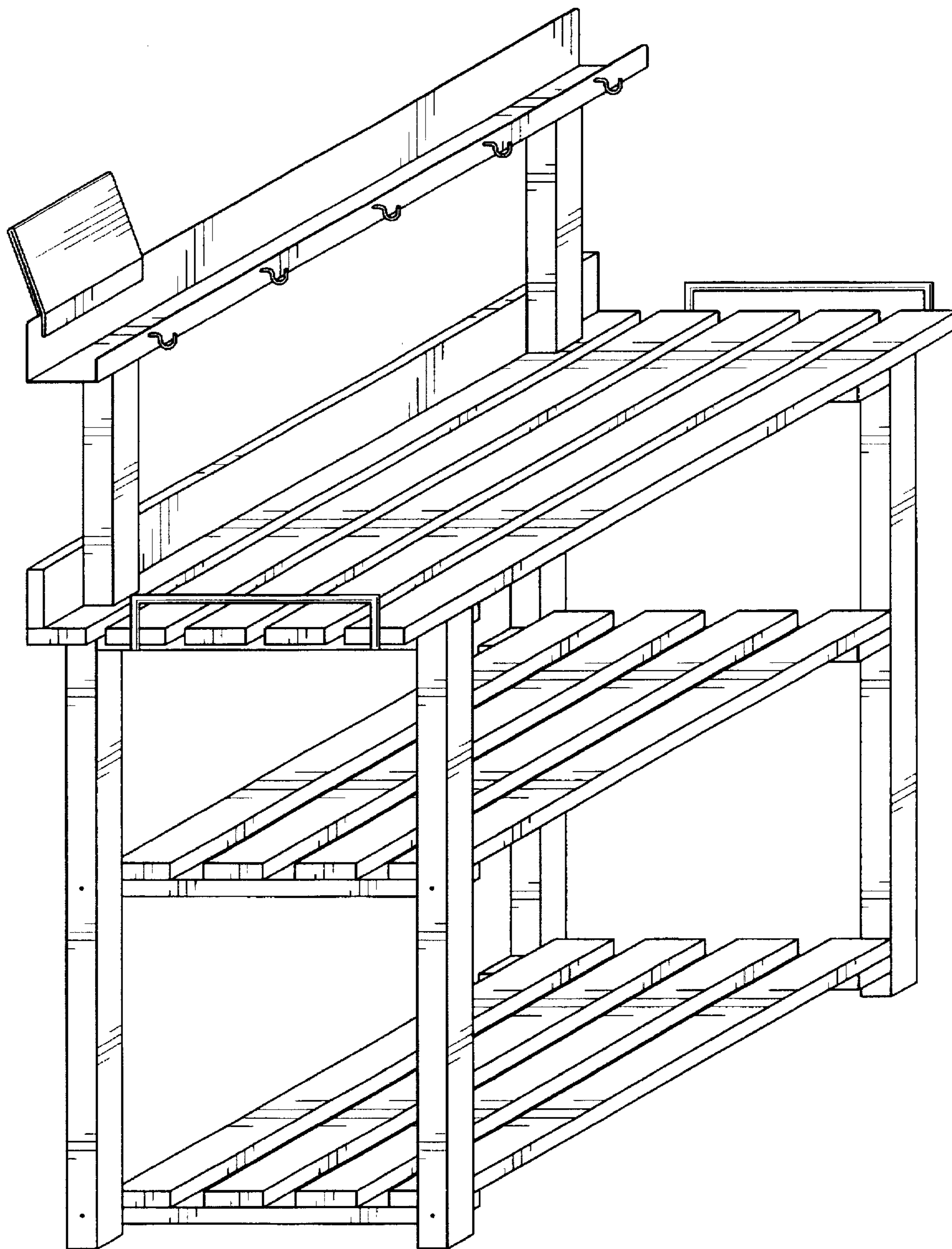


FIG. 1

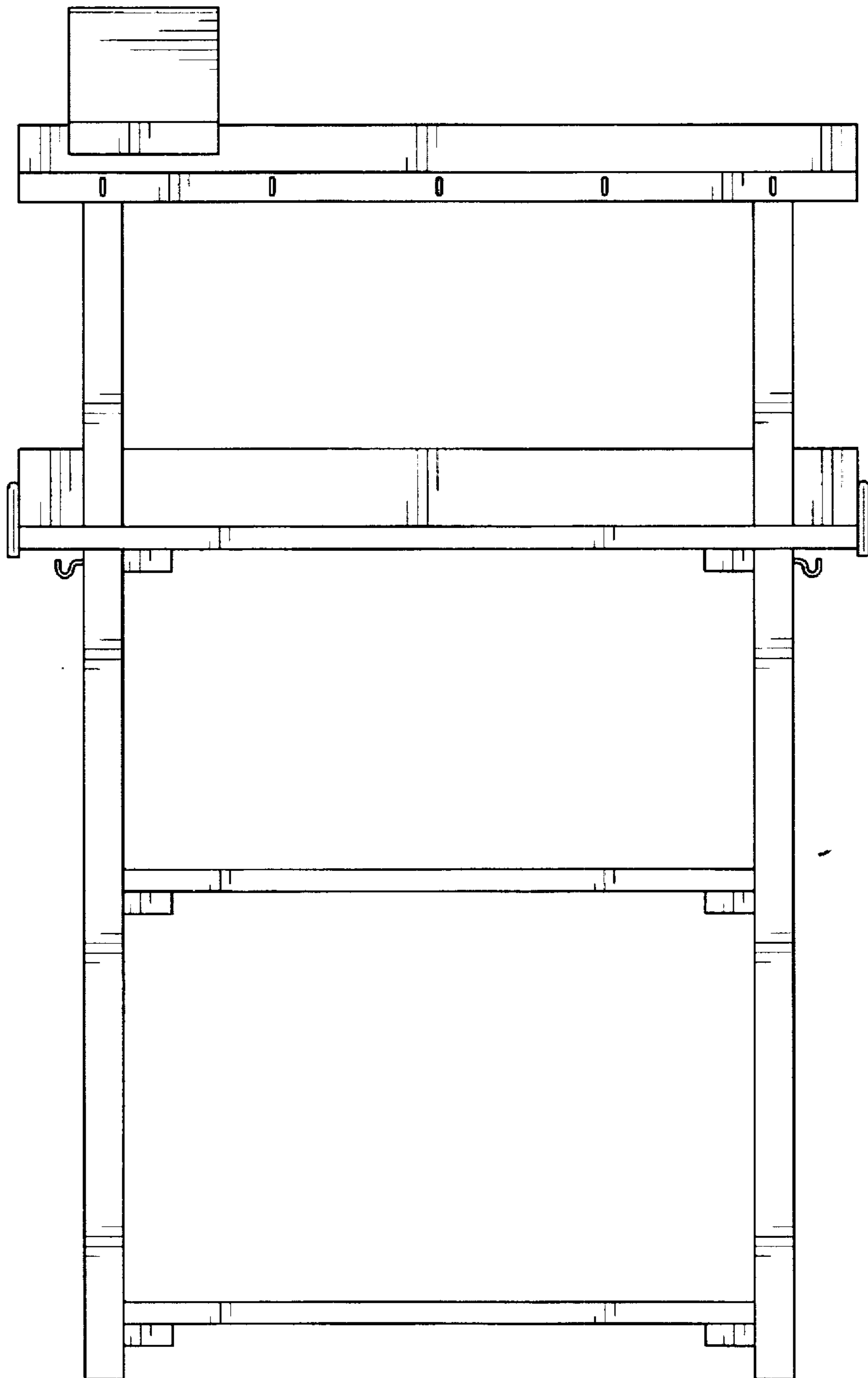


FIG. 2

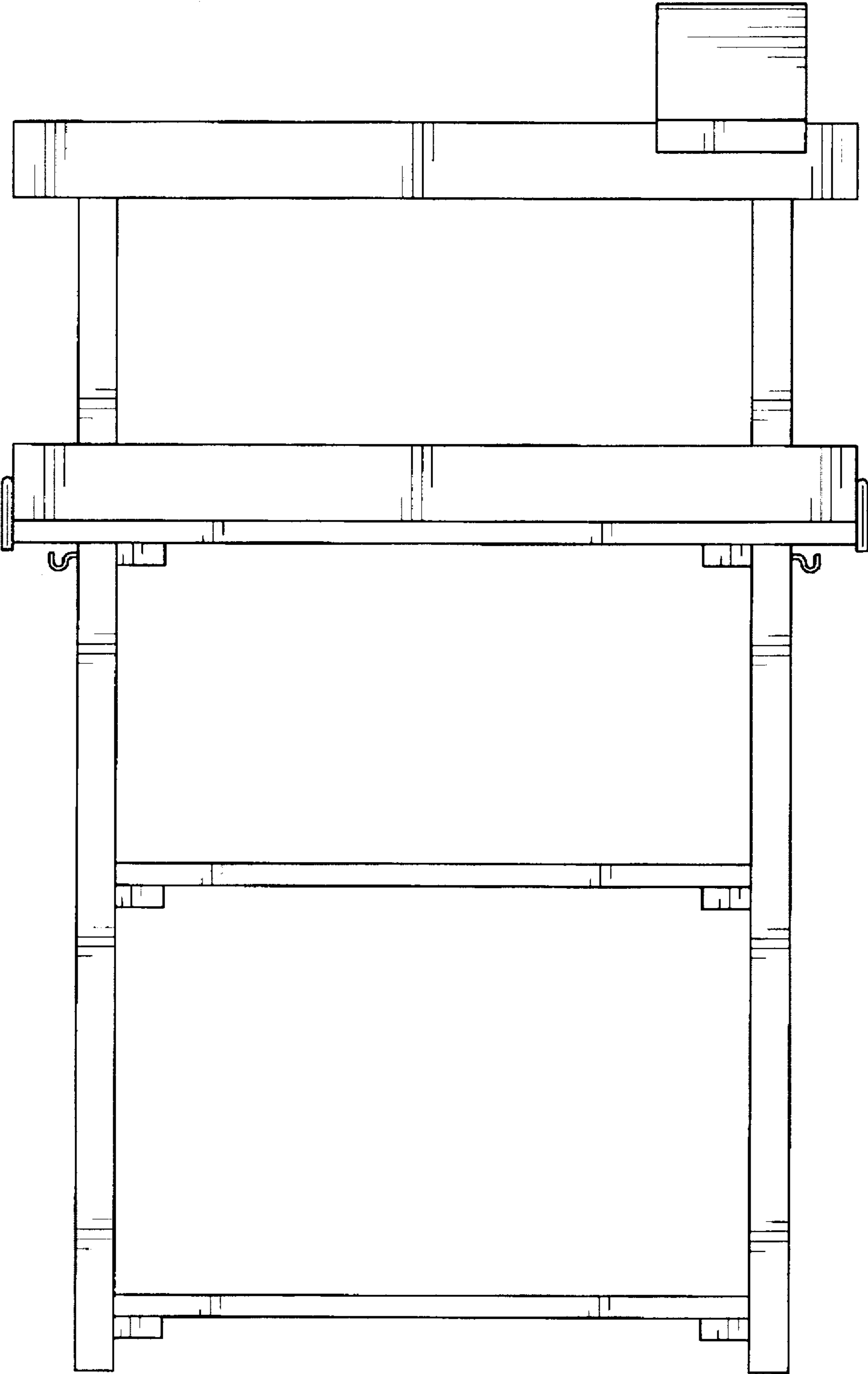


FIG. 3

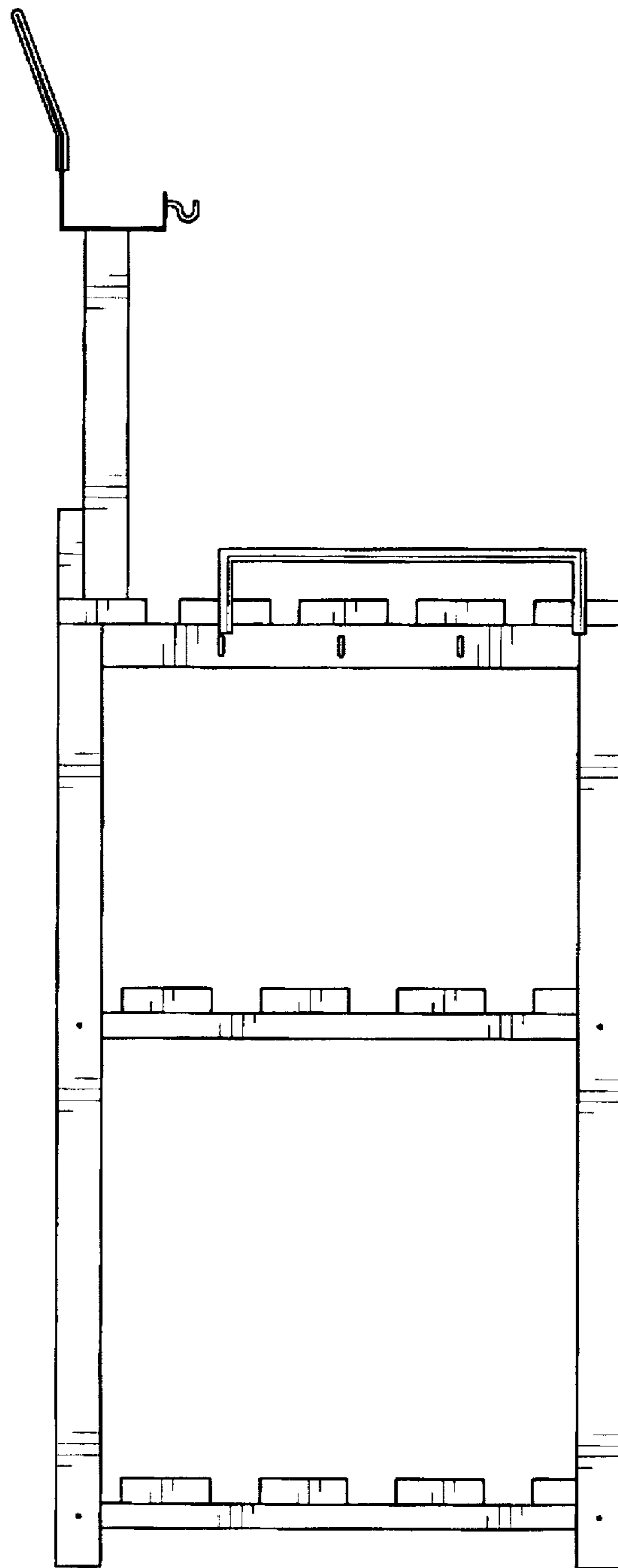


FIG. 4

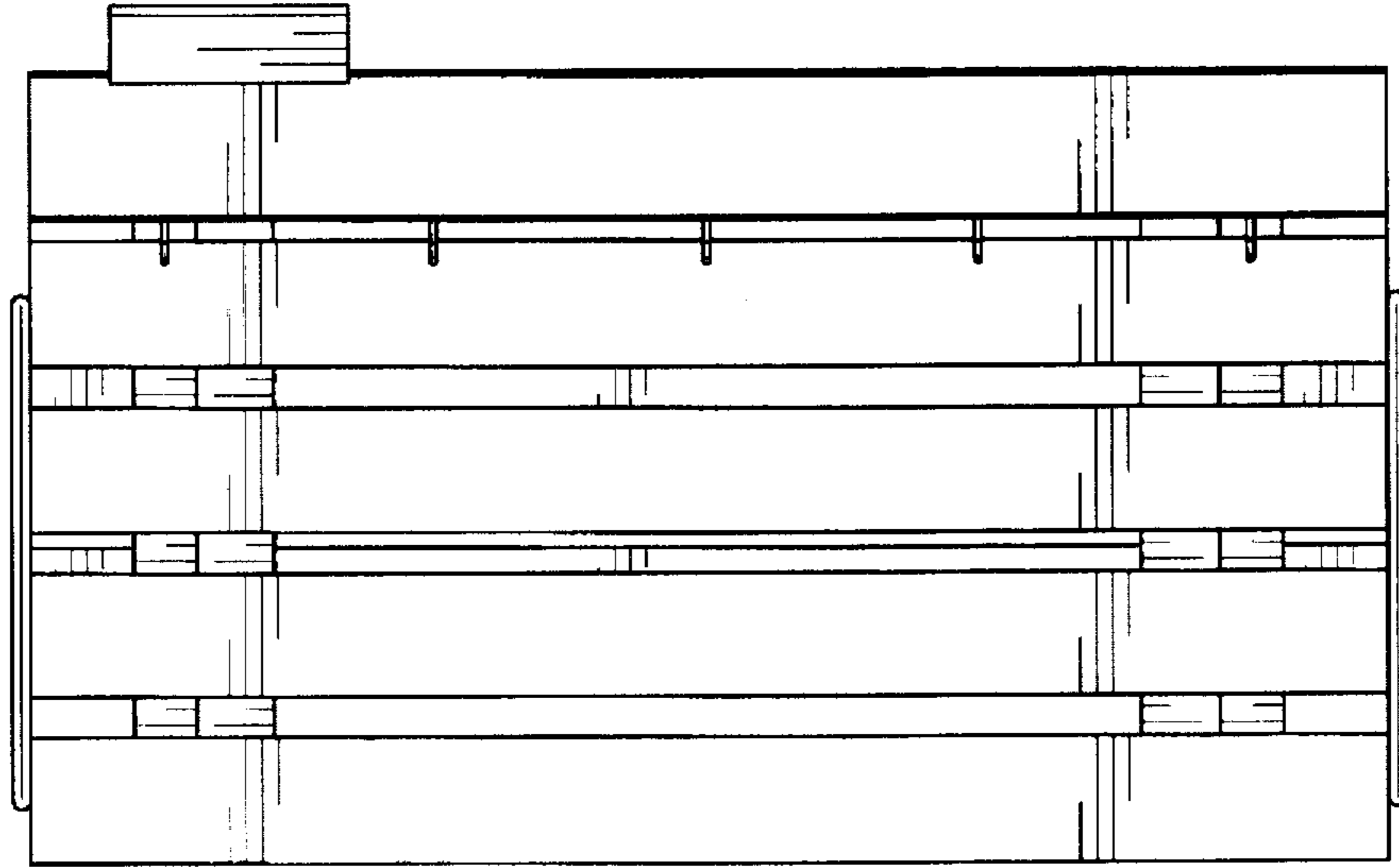


FIG. 5

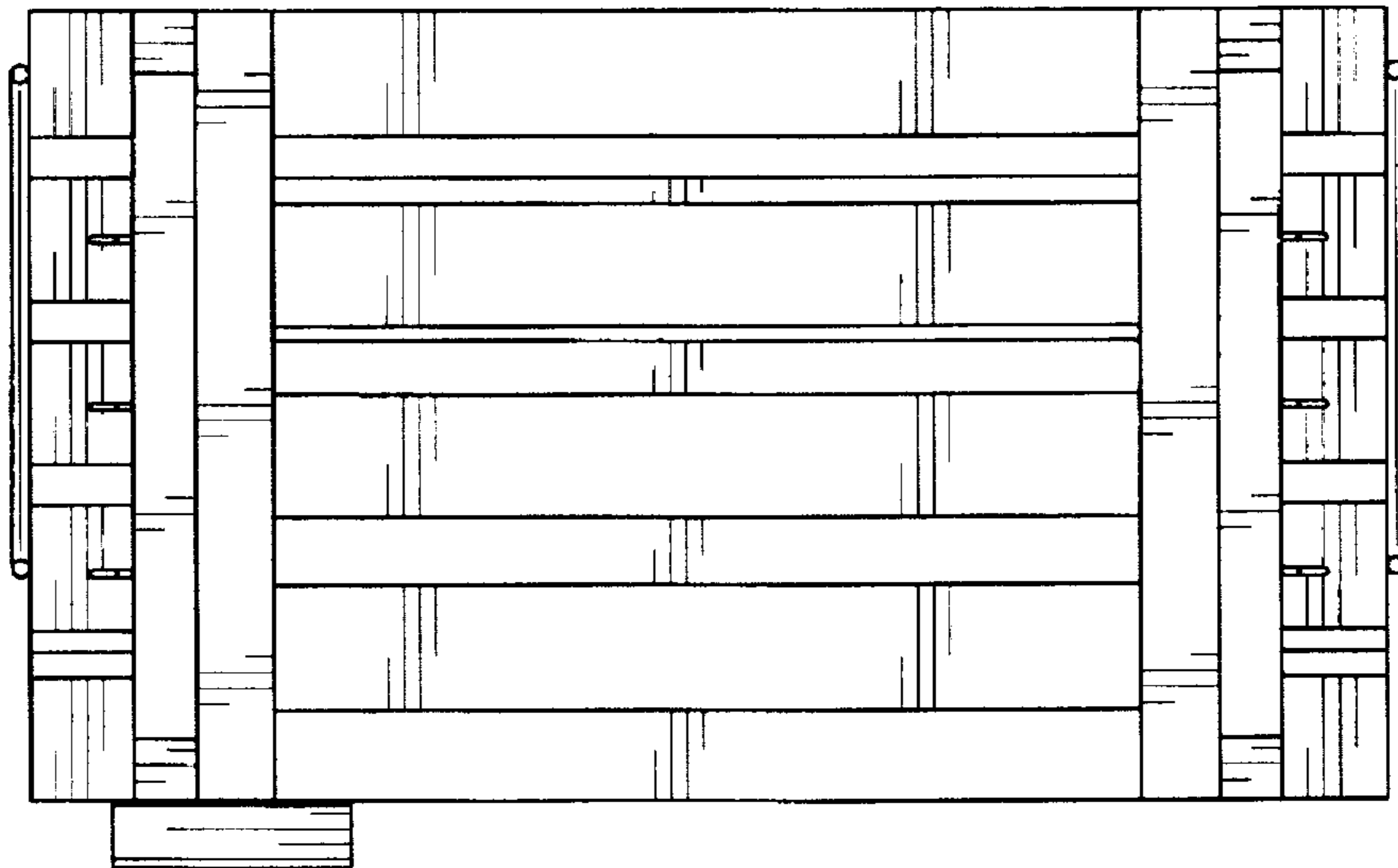


FIG. 6

FIG. 7

