

US00D391419S

# United States Patent [19]

Walters et al.

[11] Patent Number: **Des. 391,419**

[45] Date of Patent: **\*\*Mar. 3, 1998**

## [54] DISPLAY STAND

[75] Inventors: **Andrea Walters**, Dresden, Ohio;  
**Durward L. Staten**, Mountain View, Ark.

[73] Assignee: **The Longaberger Company**, Dresden, Ohio

[\*\*] Term: **14 Years**

[21] Appl. No.: **57,706**

[22] Filed: **Jul. 30, 1996**

[51] LOC (6) Cl. .... **06-04**

[52] U.S. Cl. .... **D6/458; D6/404; D6/465**

[58] Field of Search ..... **D6/462, 464-468, D6/450, 455, 456, 458-461, 411, 412, 415, 403-405; 211/1, 13, 30, 33, 37, 60.1, 62, 71, 107, 112, 133, 181; 248/176.1, 165, 127, 146, 153, 175**

## [56] References Cited

### U.S. PATENT DOCUMENTS

D. 39,996	5/1909	Michaelis	.....	D6/464
D. 89,214	2/1933	Schwab	.....	D6/465
D. 95,710	5/1935	Scott et al.	.....	D6/404
D. 250,619	12/1978	Newman	.....	D6/458

## OTHER PUBLICATIONS

Uwchlan Farm advertisements, *Village News & Post-Transcript* (Dresden, OH), Jul. 30, 1993, p. 10 (Basket Stand).  
Apple Basket Antiques and Gifts, Summer Catalog 1994 (Take Apart Basket Tree).  
Baskets in Bloom brochure (Apr. 1, 1994) (Portable Basket Tree).

*Primary Examiner*—James Gandy  
*Assistant Examiner*—Linda Brooks  
*Attorney, Agent, or Firm*—Porter, Wright, Morris & Arthur

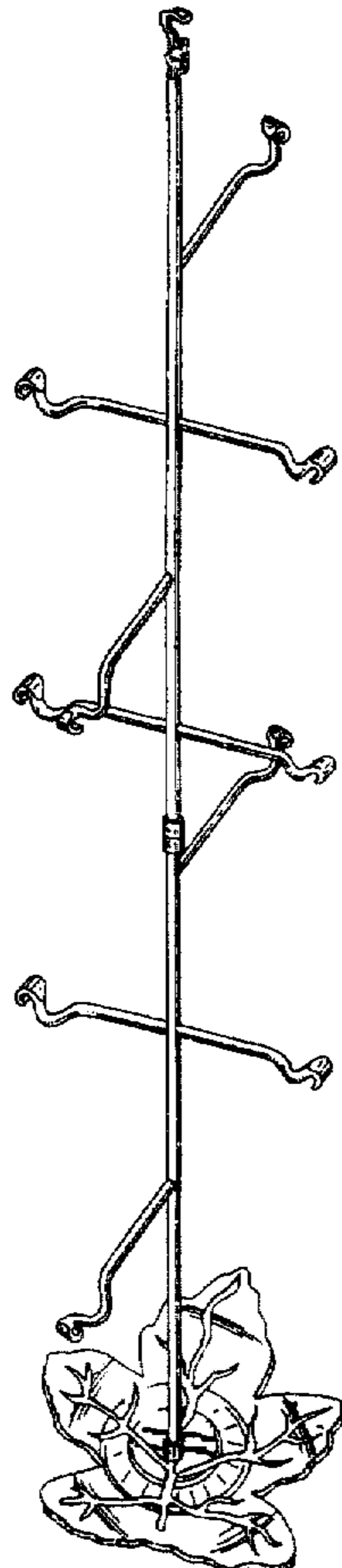
## [57] CLAIM

The ornamental design for a display stand, as shown and described.

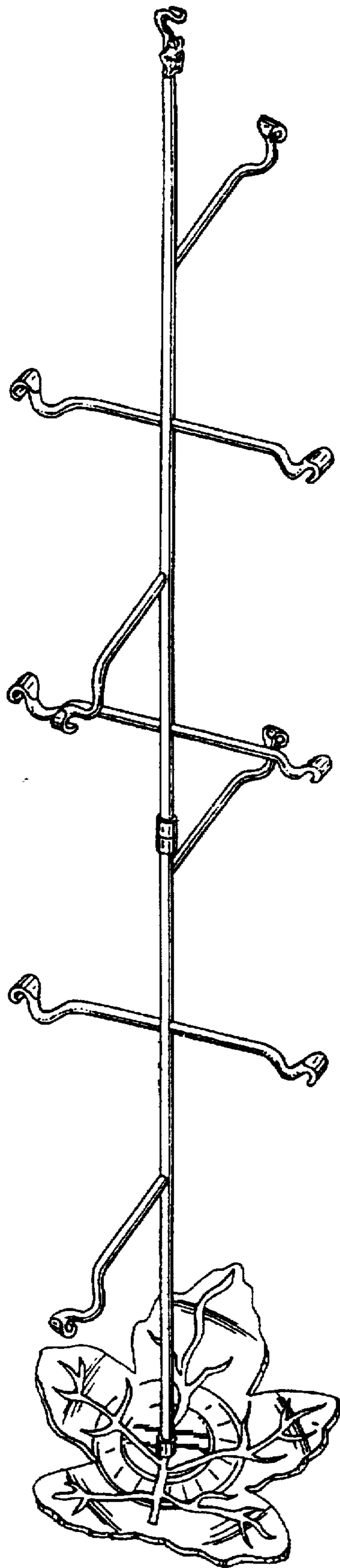
## DESCRIPTION

FIG. 1 is a front perspective view of the display stand showing our new design;  
FIG. 2 is a front elevational view thereof;  
FIG. 3 is a rear elevation view thereof;  
FIG. 4 is a left side elevation view thereof;  
FIG. 5 is a right side elevation view thereof;  
FIG. 6 is an enlarged top plan view thereof; and,  
FIG. 7 is a bottom plan view of FIG. 6.

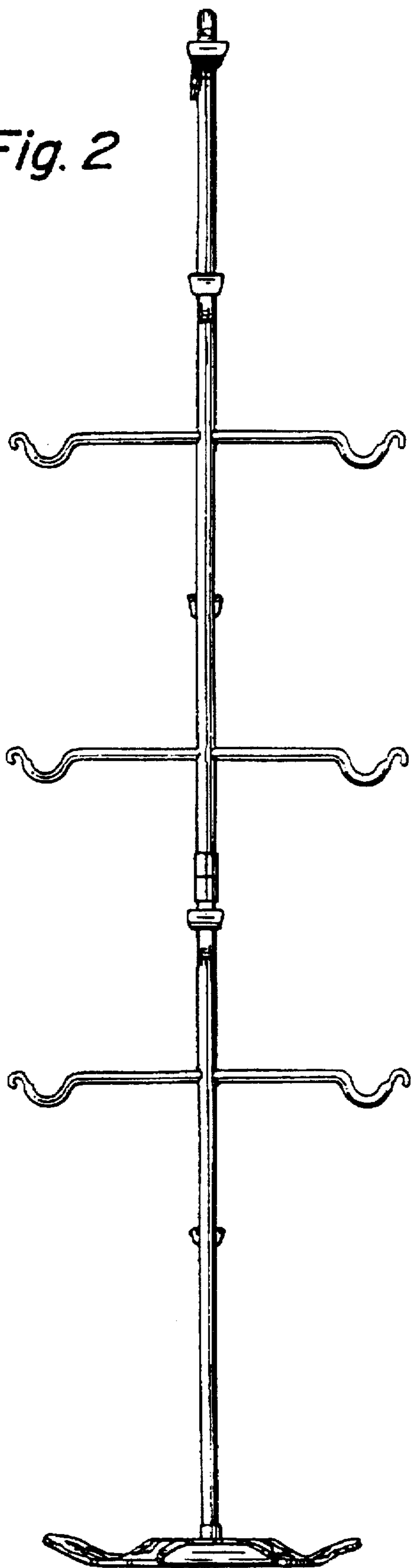
**1 Claim, 4 Drawing Sheets**



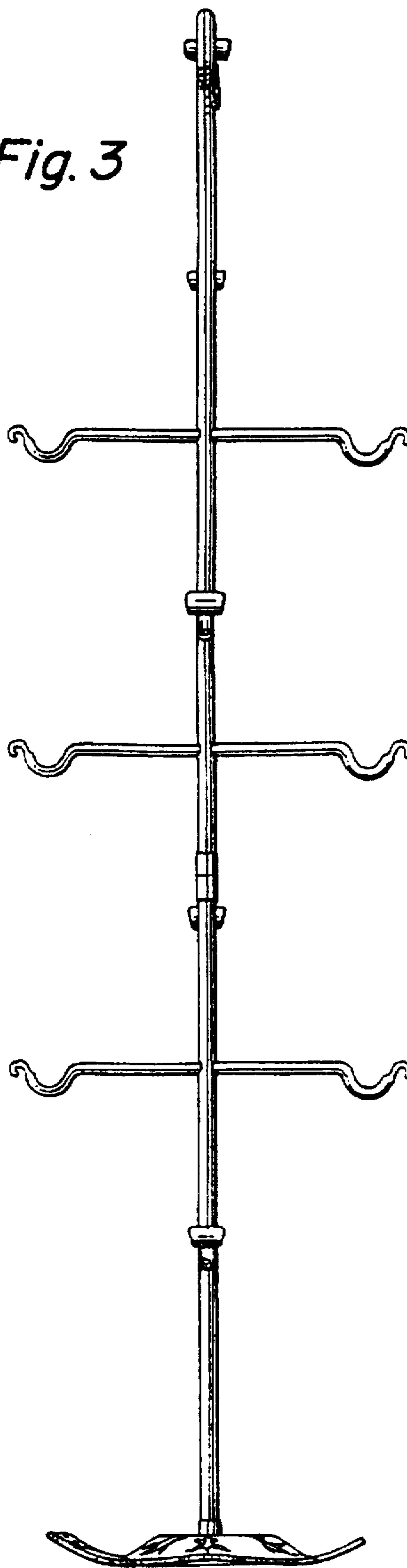
*Fig. 1*



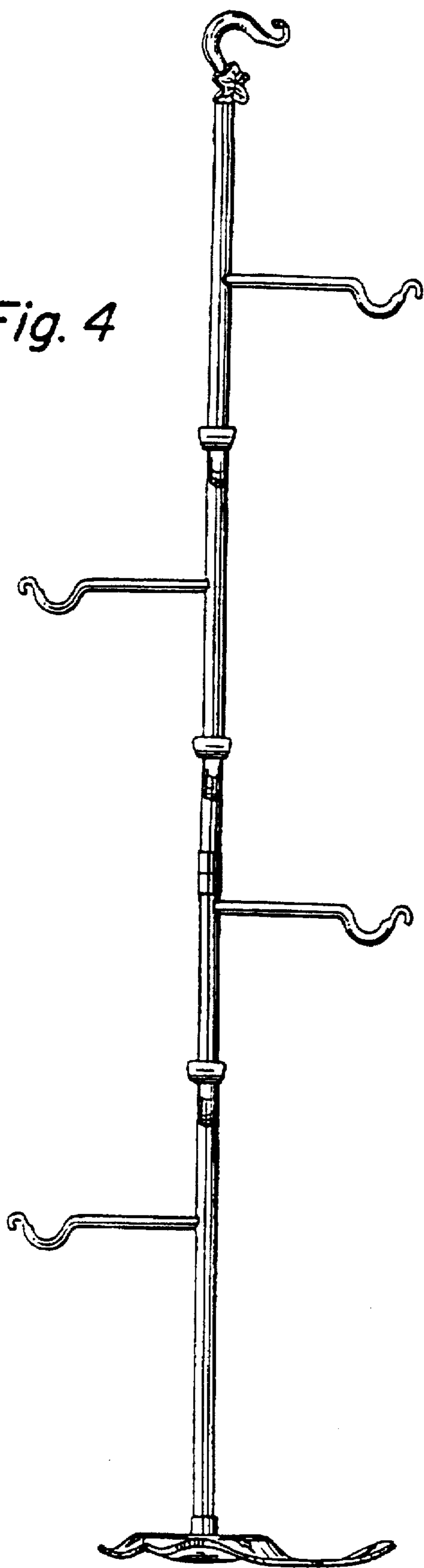
*Fig. 2*



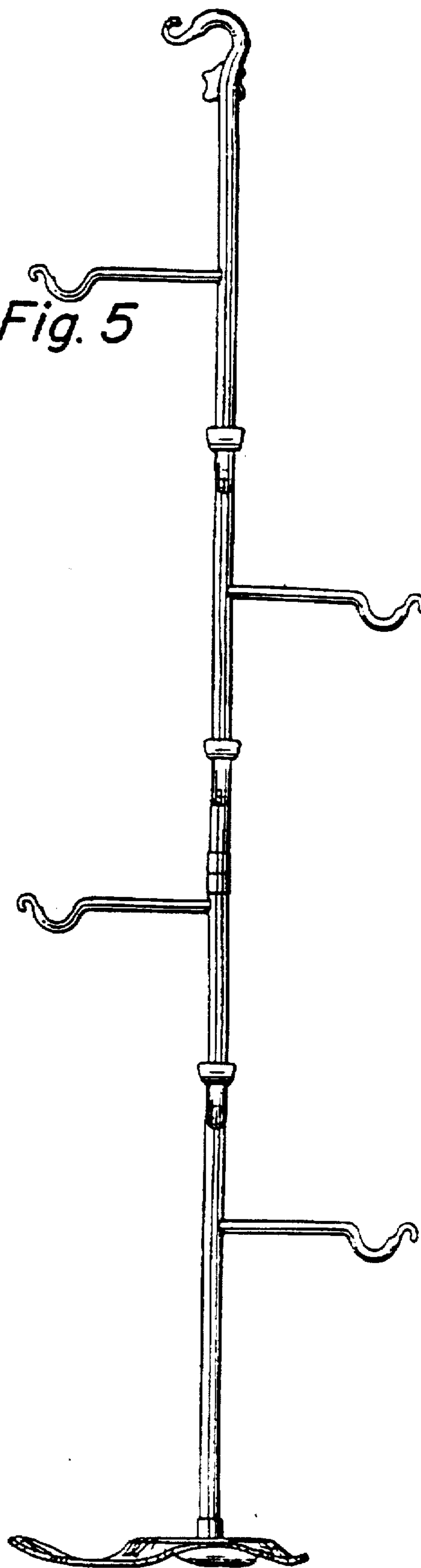
*Fig. 3*

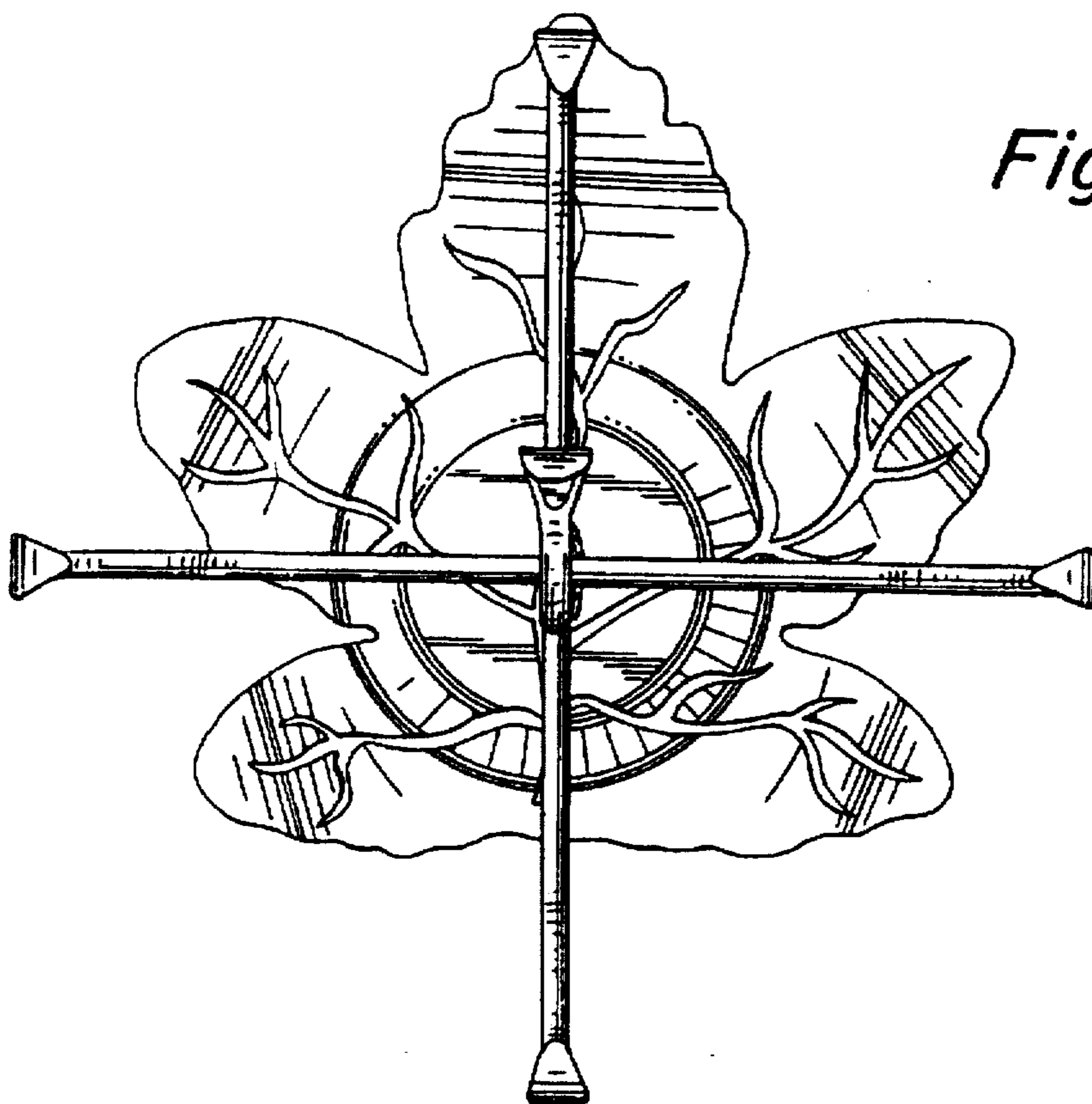


*Fig. 4*

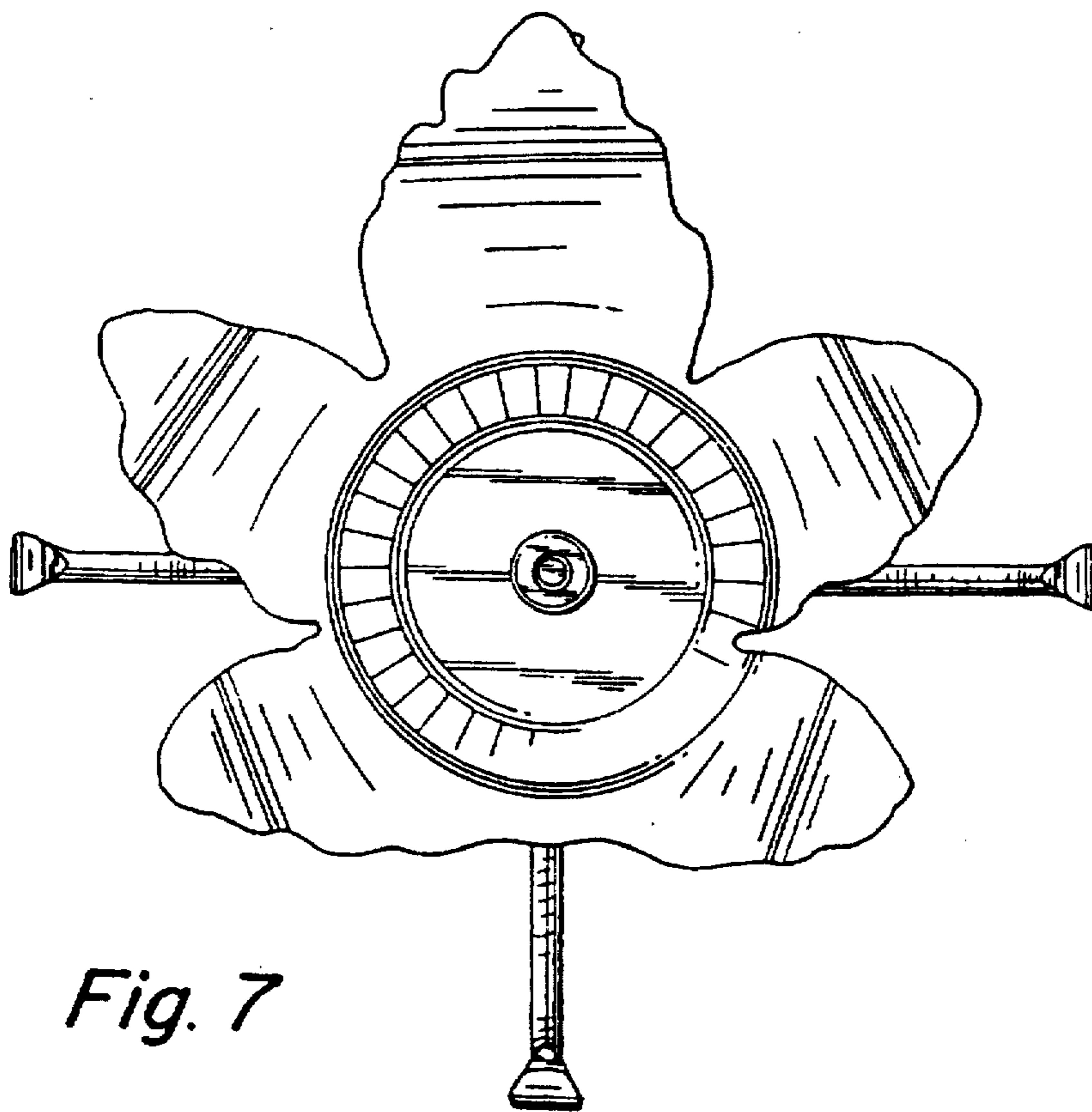


*Fig. 5*





*Fig. 6*



*Fig. 7*