



US00D391417S

United States Patent [19]

[11] Patent Number: **Des. 391,417**

Tabbia

[45] Date of Patent: ****Mar. 3, 1998**

[54] **CHEST**

[57] **CLAIM**

[76] Inventor: **Lawrence E. Tabbia**, 102 E. Pleasant Grove Rd., Jackson, N.J. 08527

The ornamental design for a chest, as shown and described.

[**] Term: **14 Years**

DESCRIPTION

[21] Appl. No.: **61,175**

FIG. 1 is a front elevational view of a chest showing my new design;

[22] Filed: **Oct. 17, 1996**

FIG. 2 is a top plan view thereof;

[51] LOC (6) Cl. **06-04**

FIG. 3 is a right side elevational view, the left side being a mirror image thereof;

[52] U.S. Cl. **D6/445**

FIG. 4 is a bottom plan view thereof;

[58] Field of Search D6/396, 397, 432, D6/434, 436-439, 445-448; 312/109, 198, 204

FIG. 5 is a front elevational view of a second embodiment of the chest shown in FIG. 1;

FIG. 6 is a greatly enlarged detail view taken in vertical section along line 6-6 of FIG. 1;

FIG. 7 is a greatly enlarged detail view taken in horizontal section along line 7-7 of FIG. 1;

FIG. 8 is a greatly enlarged detailed view taken in vertical section along line 8-8 of FIG. 1; and

FIG. 9 is an enlarged detail view taken in horizontal section along line 9-9 of FIG. 1.

The top, bottom and side elevational views of the chest of FIG. 5 are identical to those of FIG. 1 except for height and width. The rear of each of the chests of FIGS. 1 and 5 is plain and unornamented.

[56] References Cited

U.S. PATENT DOCUMENTS

- D. 352,846 11/1994 Black D6/446
- D. 373,490 9/1996 Tabbia D6/445
- D. 376,057 12/1996 Brunner et al. D6/445

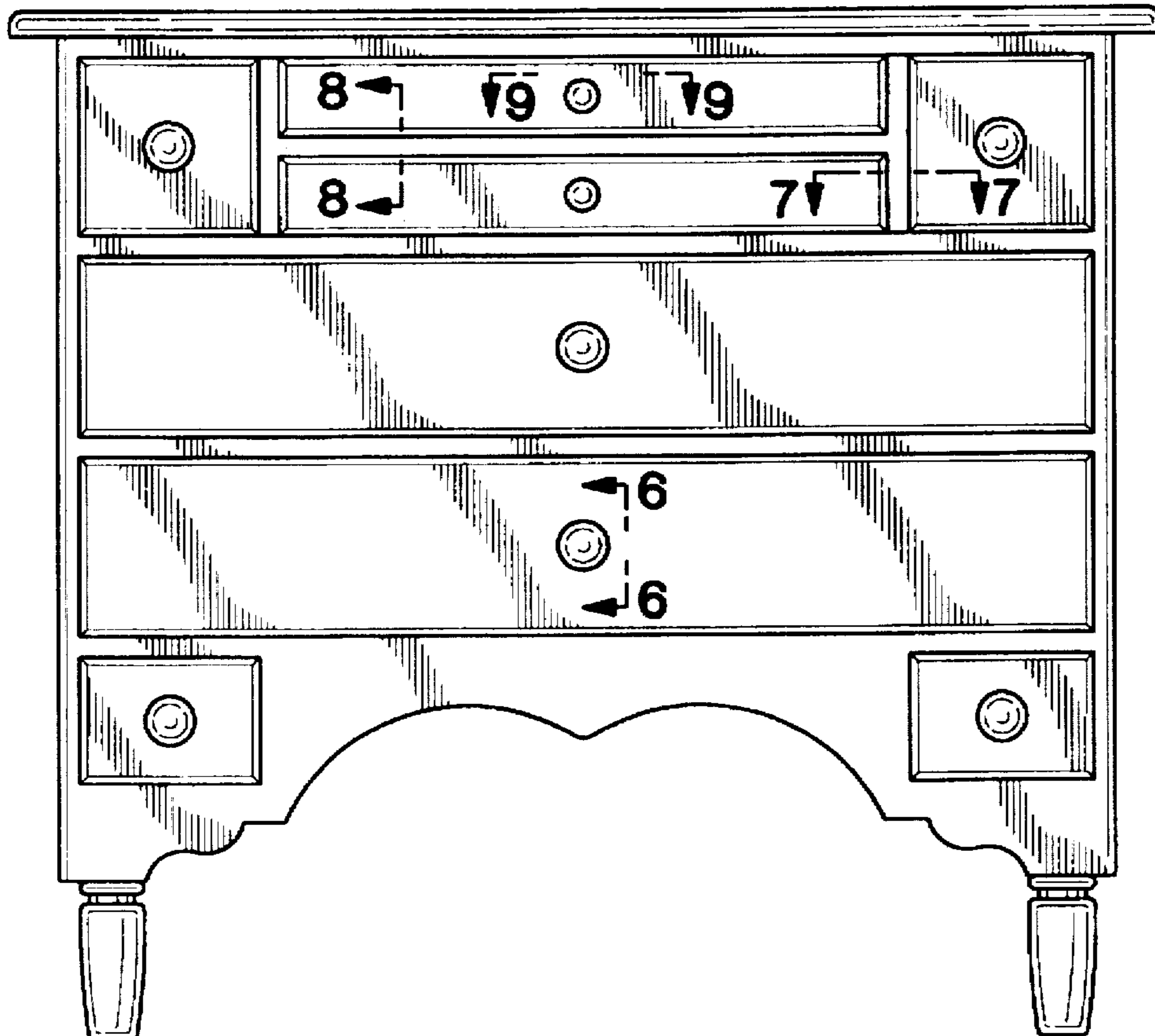
OTHER PUBLICATIONS

Pennsylvania House, p. 141, Bureau 17-2303 at top right.

Primary Examiner—Janice E. Seeger

Attorney, Agent, or Firm—William J. Daniel

1 Claim, 3 Drawing Sheets



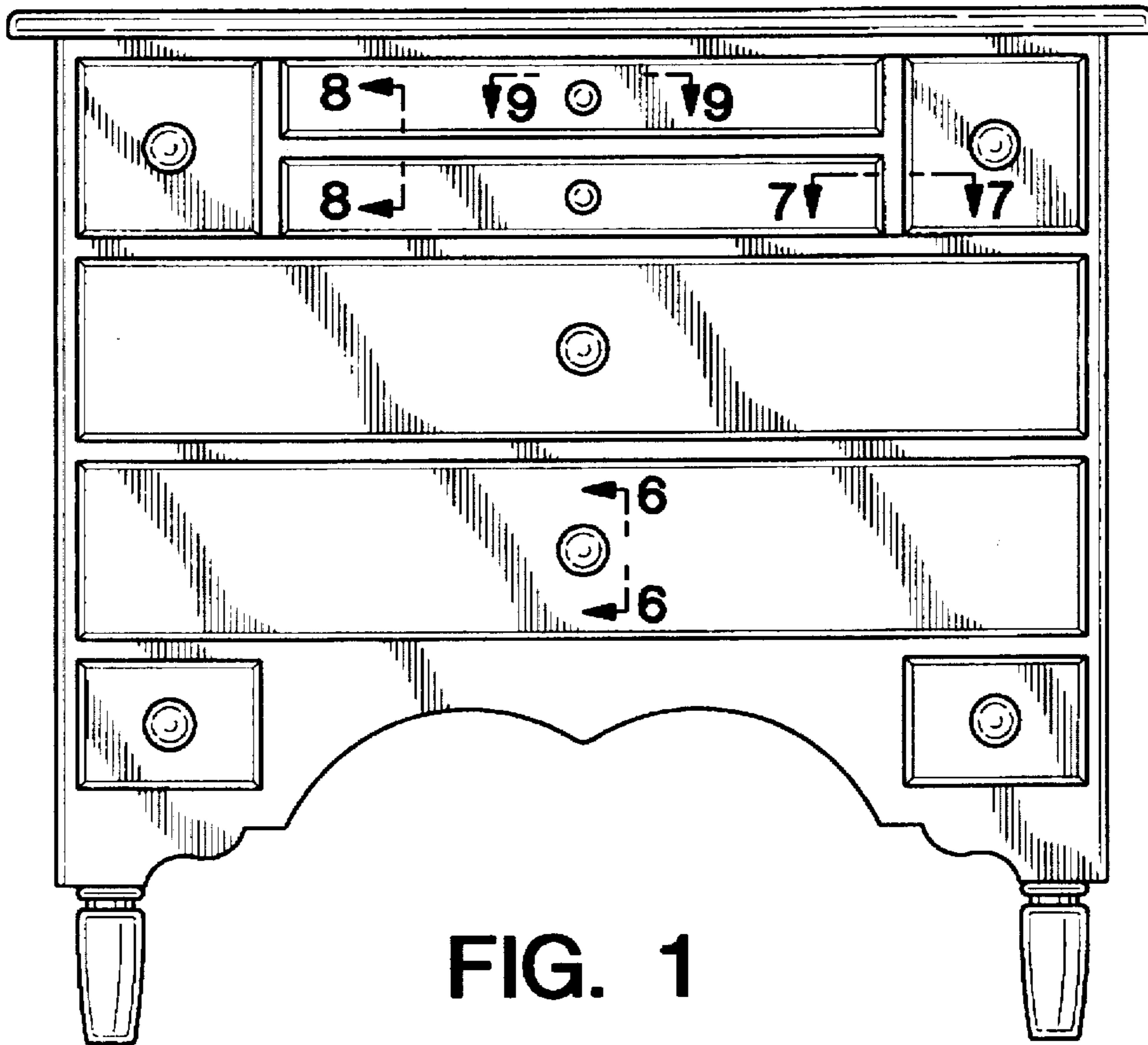
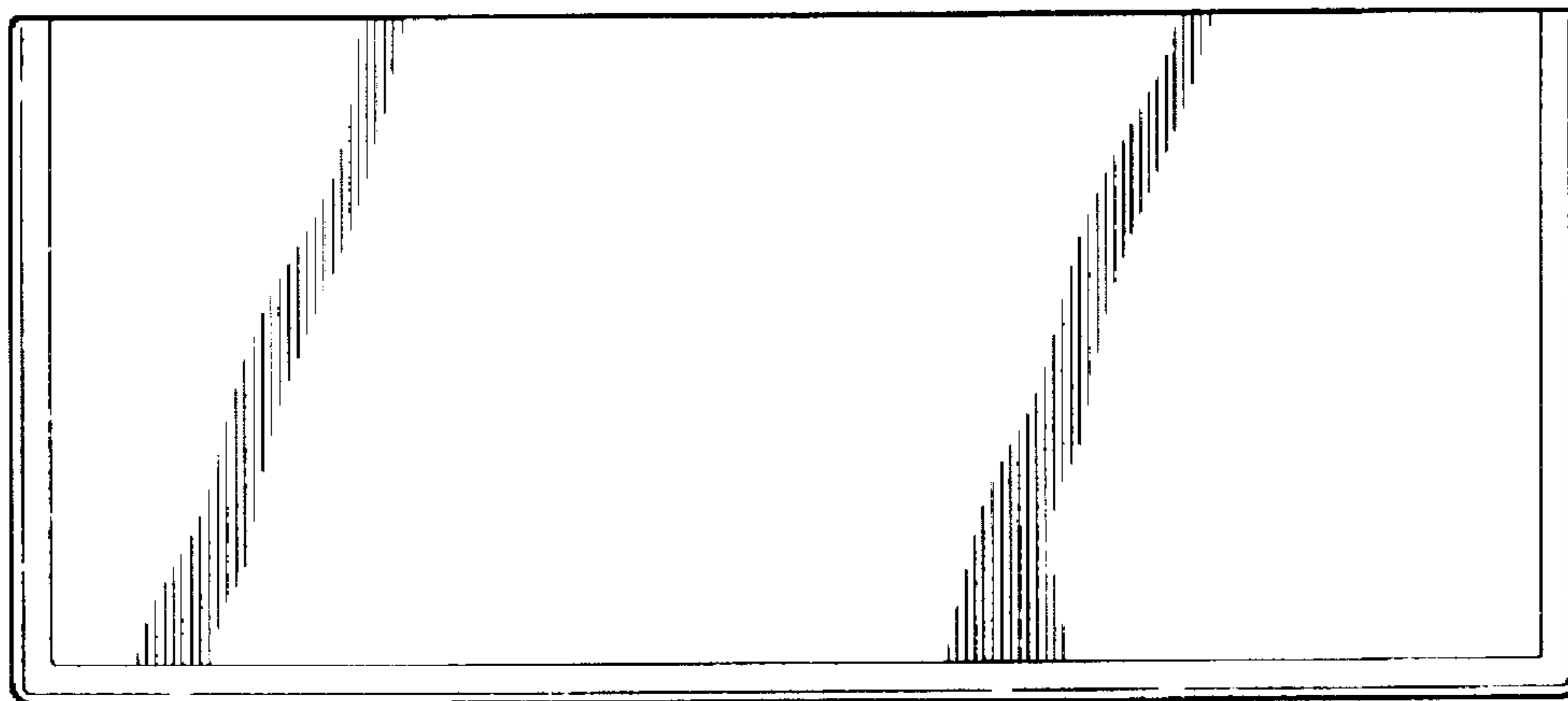


FIG. 1

FIG. 2



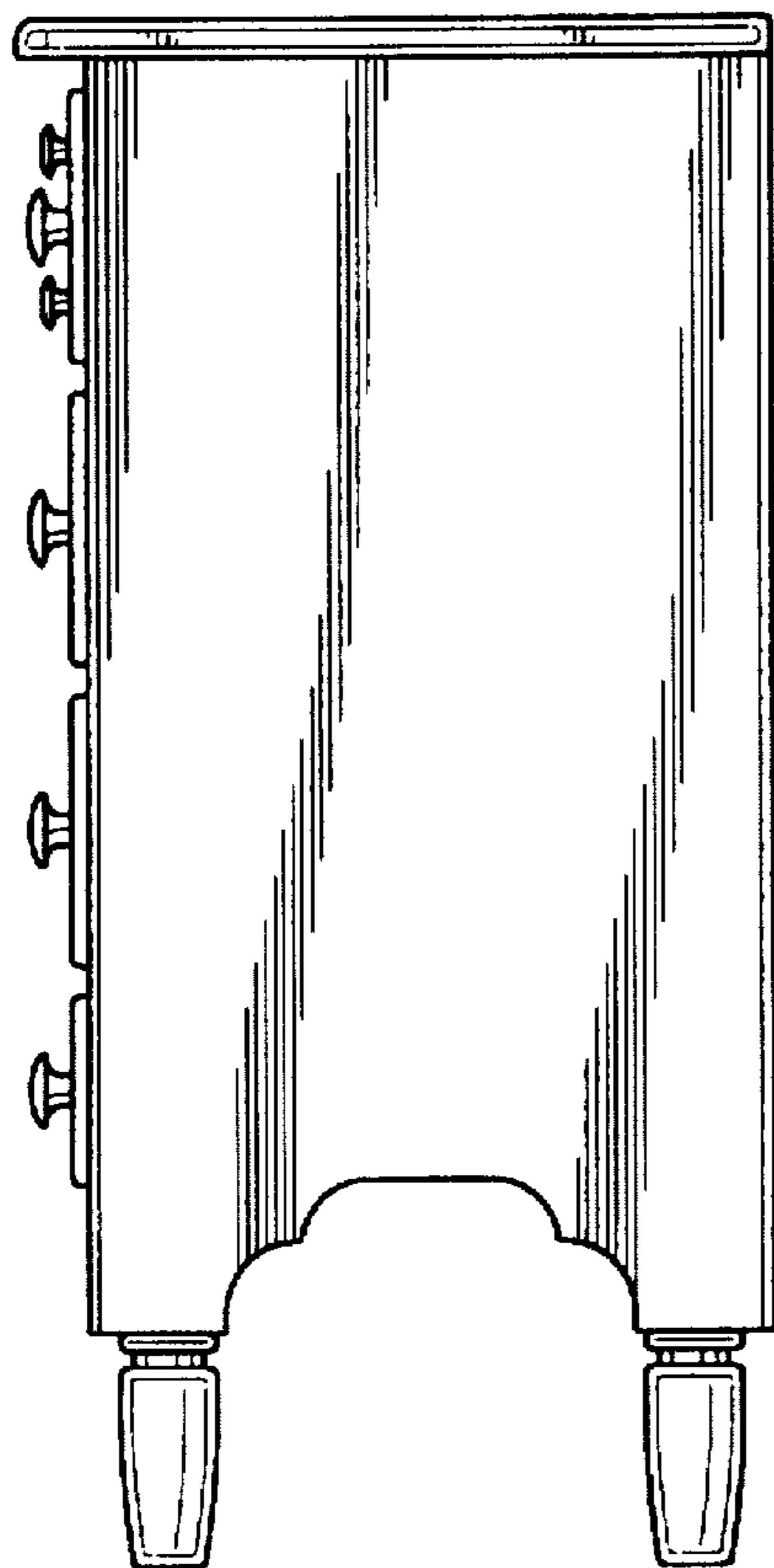


FIG. 3

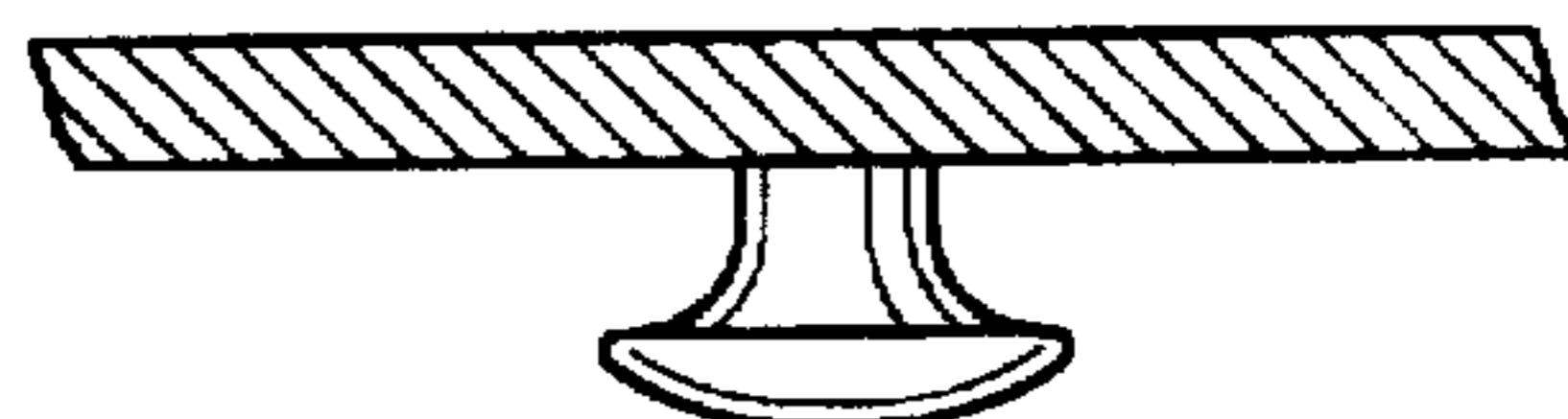
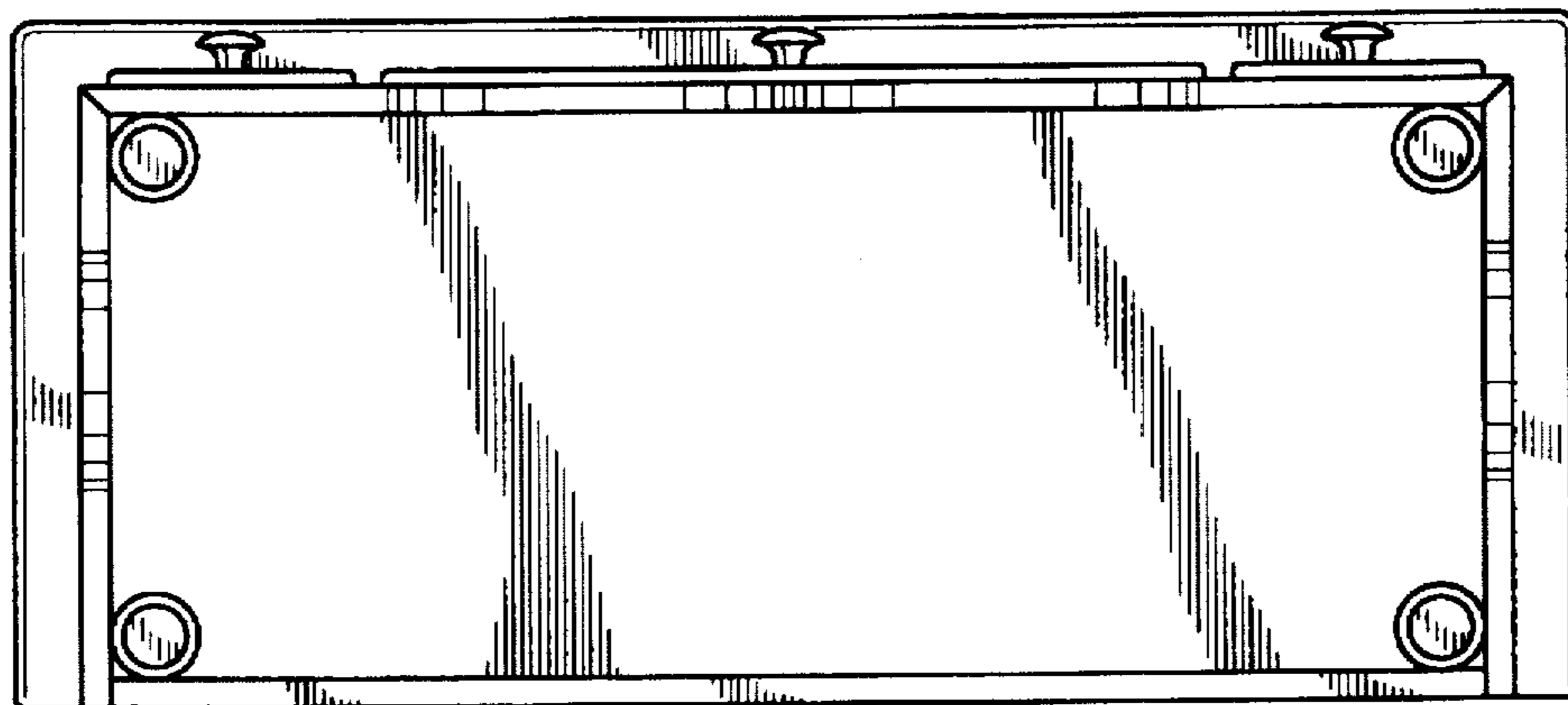


FIG. 9

FIG. 4



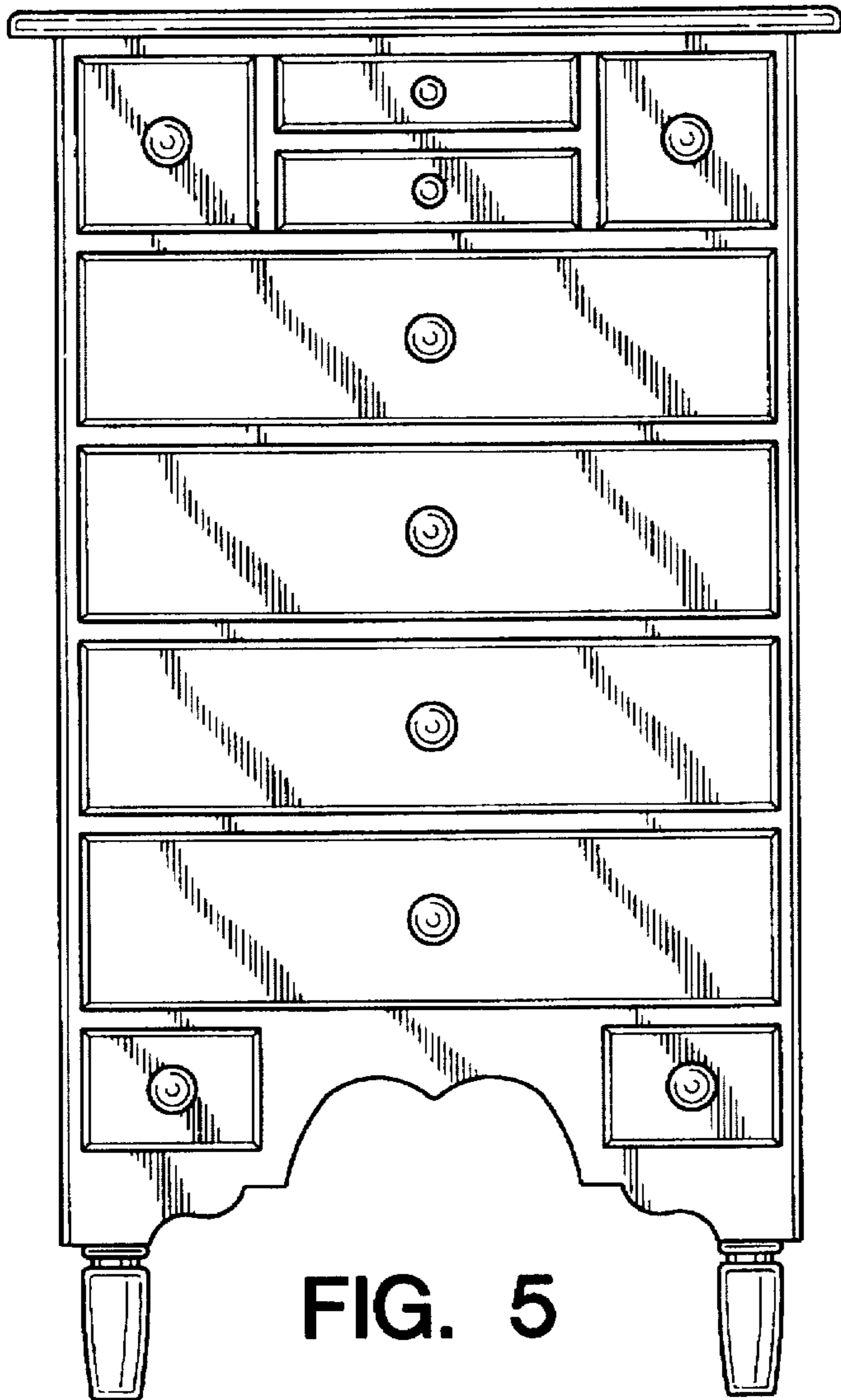


FIG. 5

FIG. 8

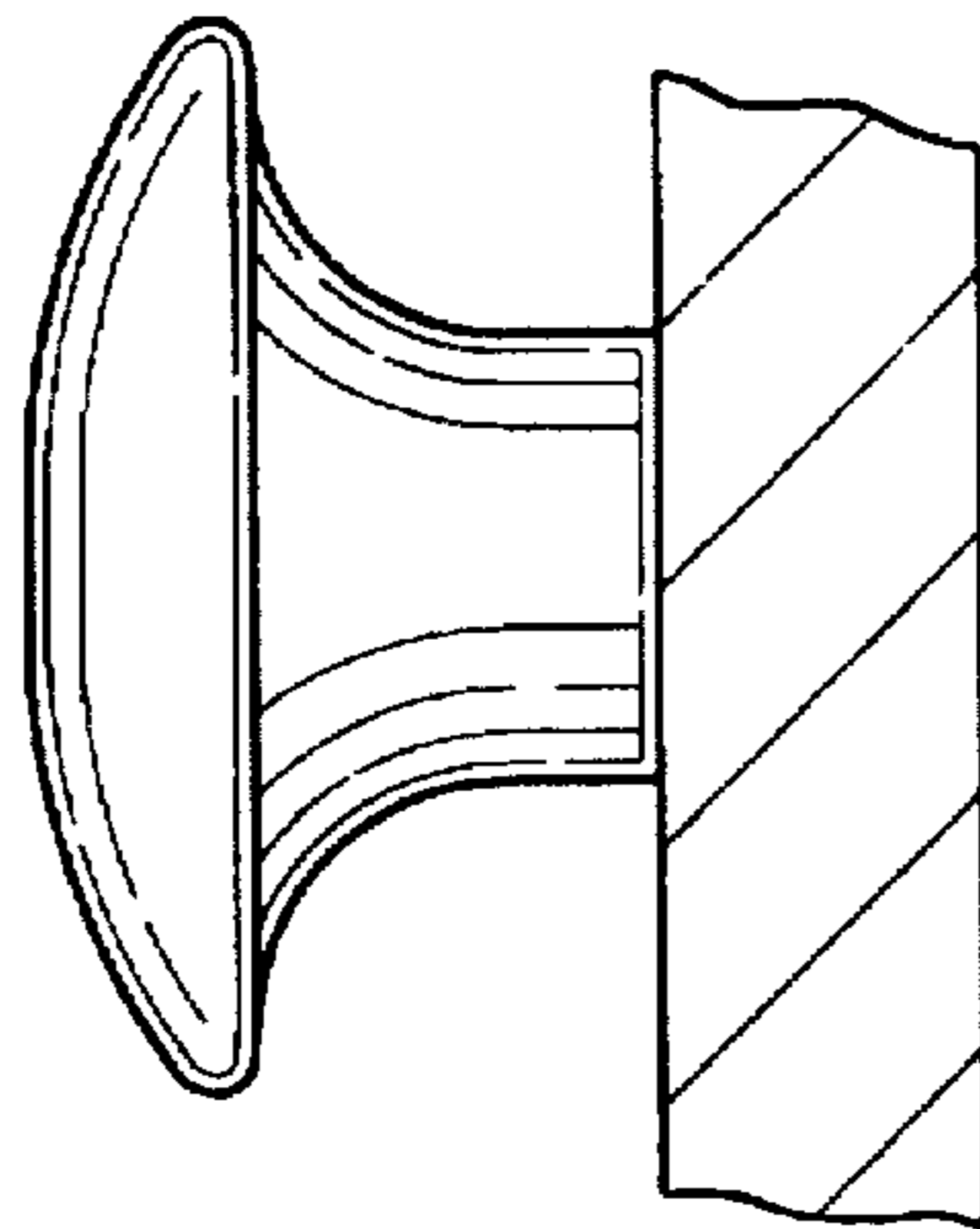
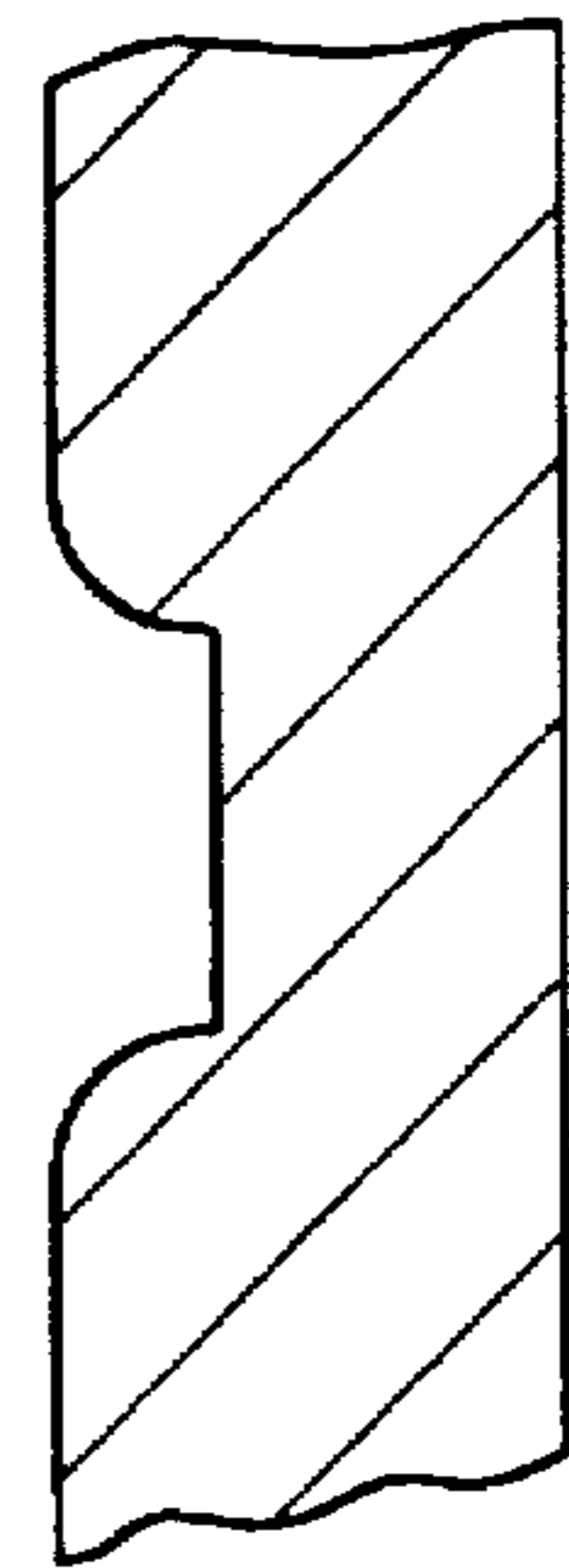


FIG. 6

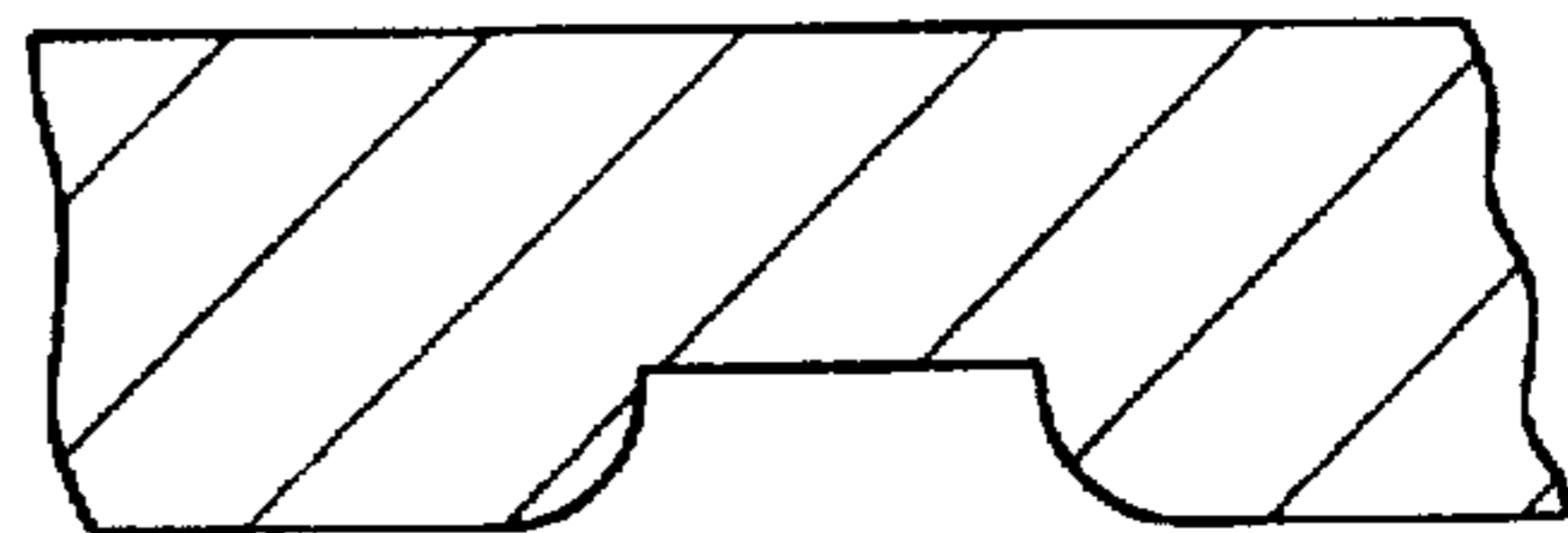


FIG. 7