



US00D391416S

# United States Patent [19]

Canton Gongora et al.

[11] Patent Number: Des. 391,416

[45] Date of Patent: \*\*Mar. 3, 1998

[54] **WORK TABLE**

[75] Inventors: **Antonio Canton Gongora; Carlos Jesús Cruz Fernandez; José María Muñagorri Enriquez; Juan Carlos Rayo Ortigüela**, all of Madrid, Spain

[73] Assignee: **Telefonica de España, S.A.**, Madrid, Spain

[\*\*] Term: **14 Years**

[21] Appl. No.: **62,763**

[22] Filed: **Nov. 22, 1996**

[30] **Foreign Application Priority Data**

May 22, 1996 [ES] Spain ..... 137550

[51] LOC (6) Cl. .... **06-04**

[52] U.S. Cl. .... **D6/426**

[58] Field of Search ..... D6/421-431; 312/194-196; 108/59, 60

[56] **References Cited**

**U.S. PATENT DOCUMENTS**

- D. 60,077 12/1921 Van Dommelen ..... D6/425
- D. 63,206 10/1923 Van Dommelen ..... D6/425
- D. 63,208 10/1923 Van Dommelen ..... D6/425

- D. 128,791 8/1941 Ullery ..... D6/426
- D. 167,679 9/1952 Dorsey ..... D6/474
- D. 216,203 12/1969 Hess ..... D6/426
- D. 216,204 12/1969 Hess ..... D6/426
- D. 261,713 11/1981 Curatolo ..... D6/426
- D. 267,690 1/1983 Verdesca ..... D6/426
- D. 303,188 9/1989 Risom ..... D6/426
- D. 306,101 2/1990 Borsani ..... D6/426 X
- D. 368,812 4/1996 Lee ..... D6/421

*Primary Examiner*—Carmen H. Vales-Lado  
*Attorney, Agent, or Firm*—Reid & Priest LLP

[57] **CLAIM**

The ornamental design for work table, as shown and described.

**DESCRIPTION**

FIG. 1 is a bottom plan view of a work table showing our new design;  
 FIG. 2 is a rear elevation view thereof;  
 FIG. 3 is a right side elevation view thereof;  
 FIG. 4 is a front elevation view thereof;  
 FIG. 5 is a left side elevation view thereof;  
 FIG. 6 is a top plan view thereof;  
 FIG. 7 is an enlarged front perspective view thereof; and  
 FIG. 8 is an enlarged rear perspective view thereof.

**1 Claim, 3 Drawing Sheets**

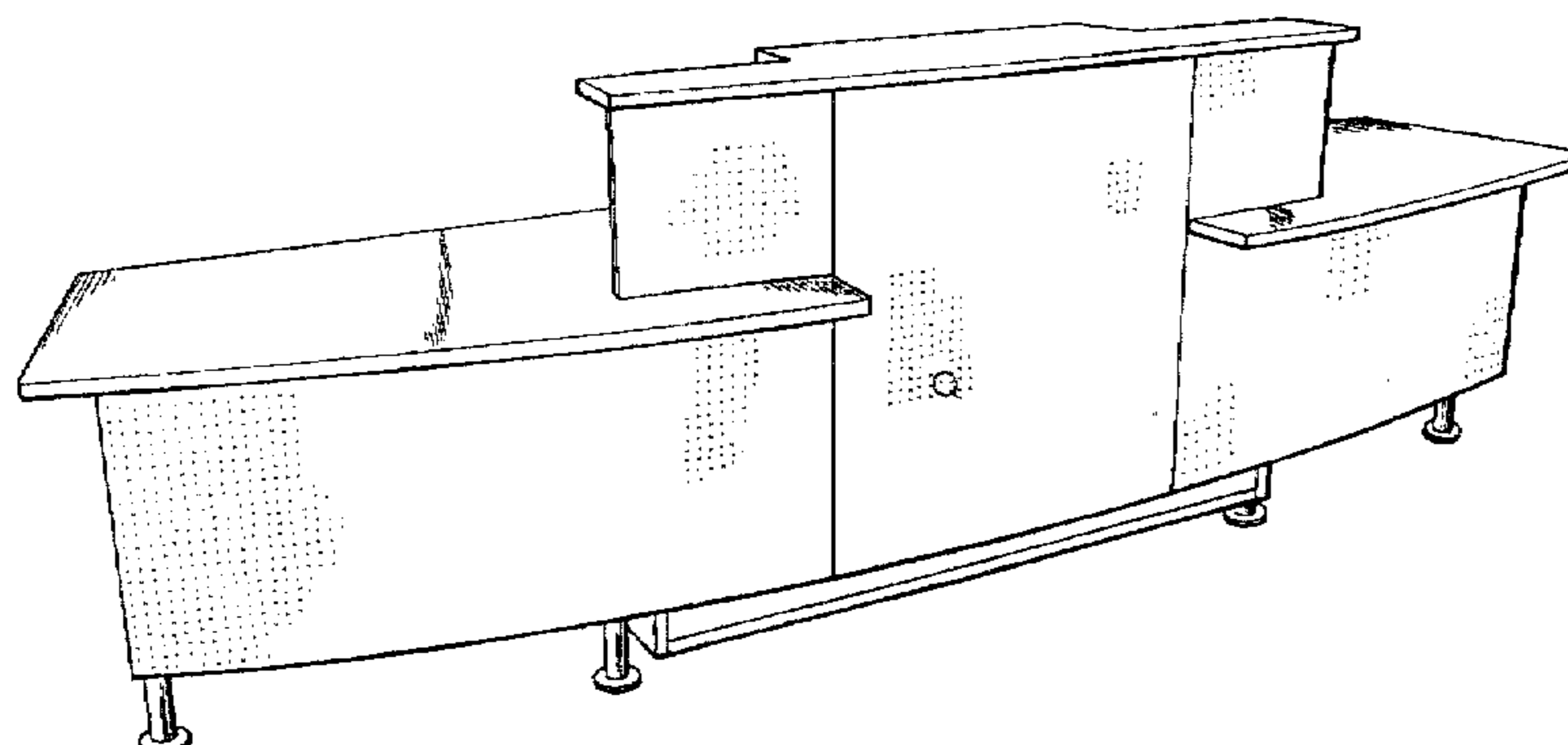
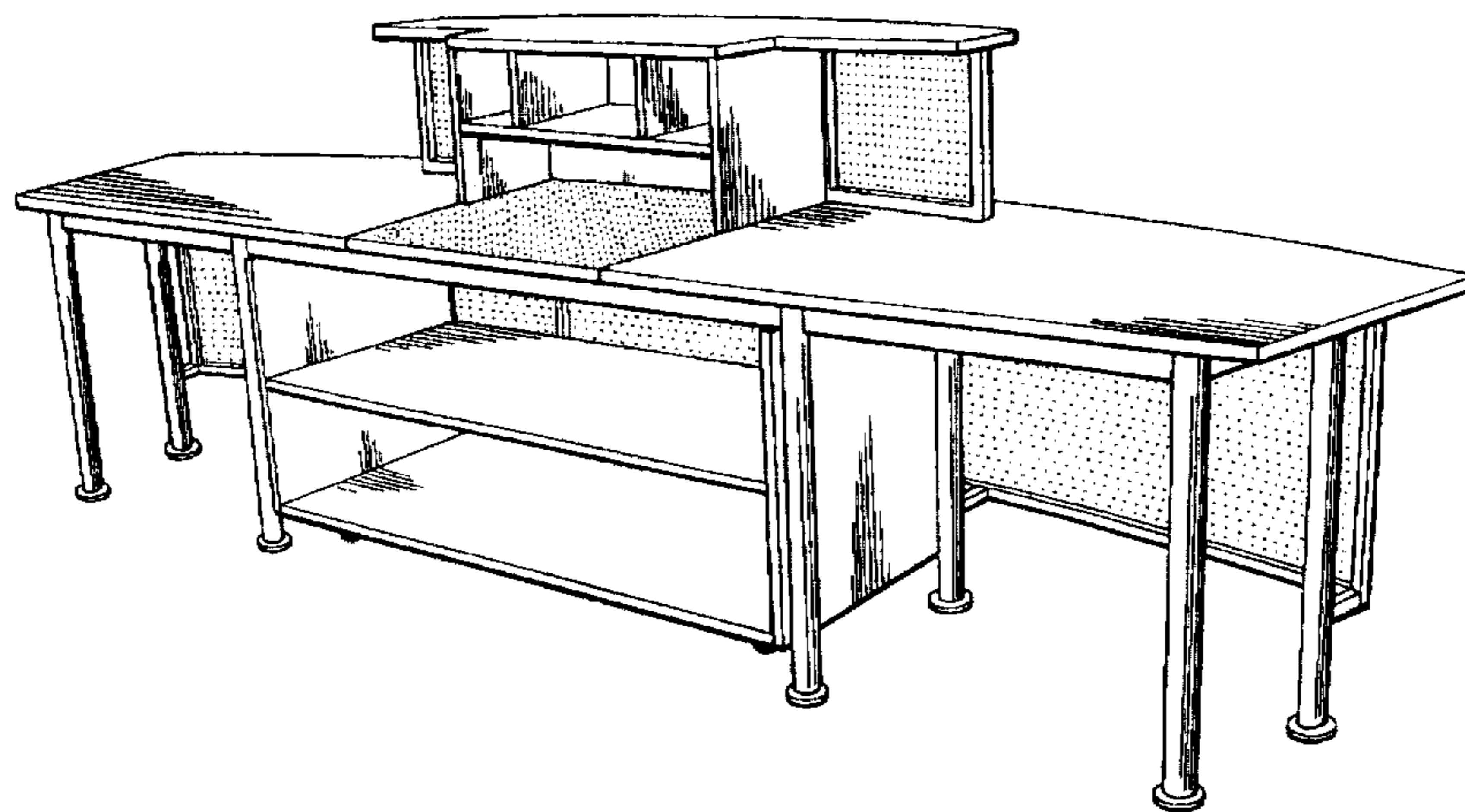


FIG.-1

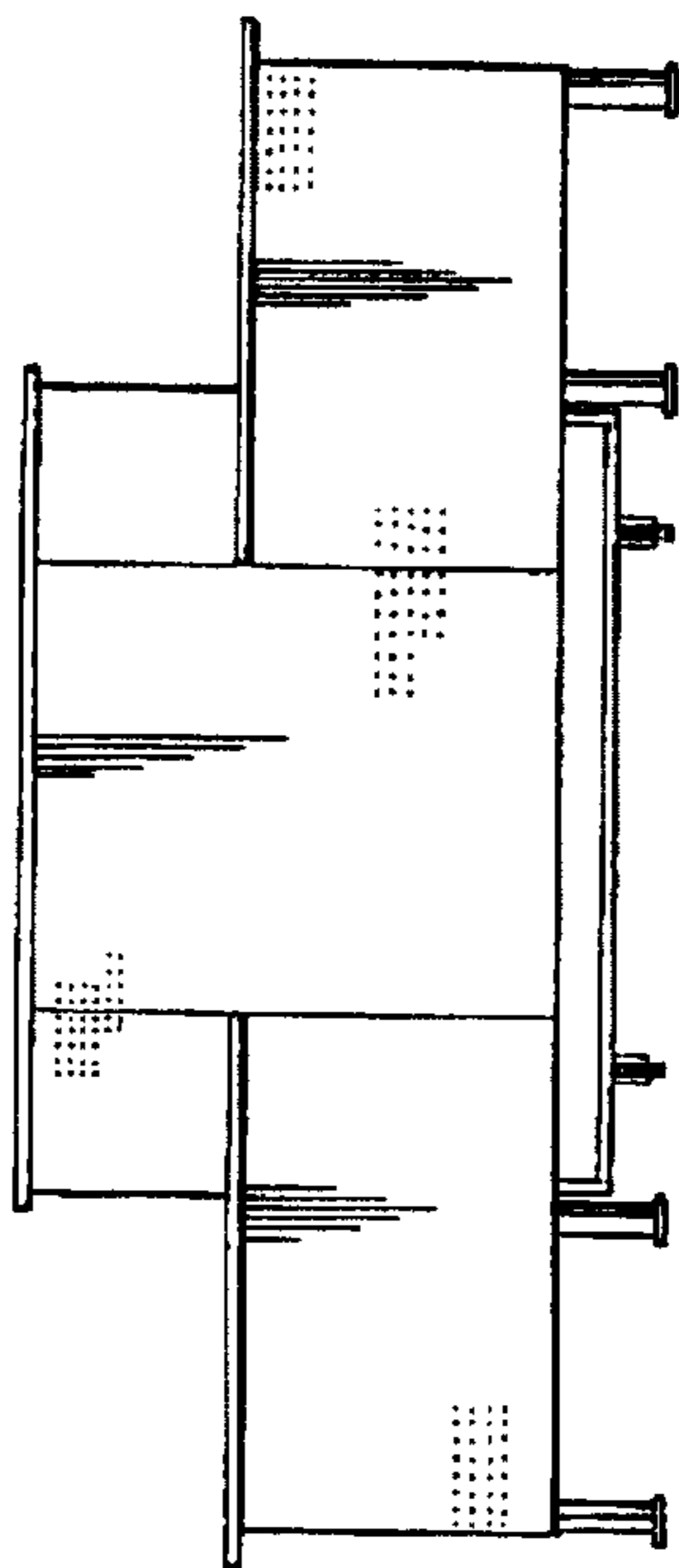
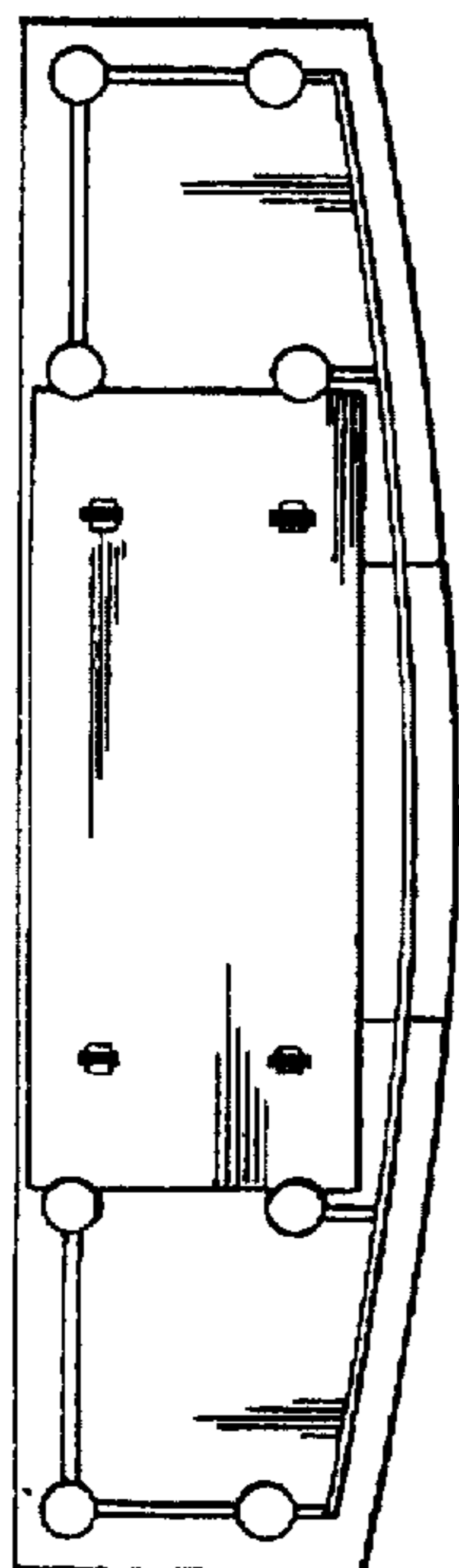


FIG.-2

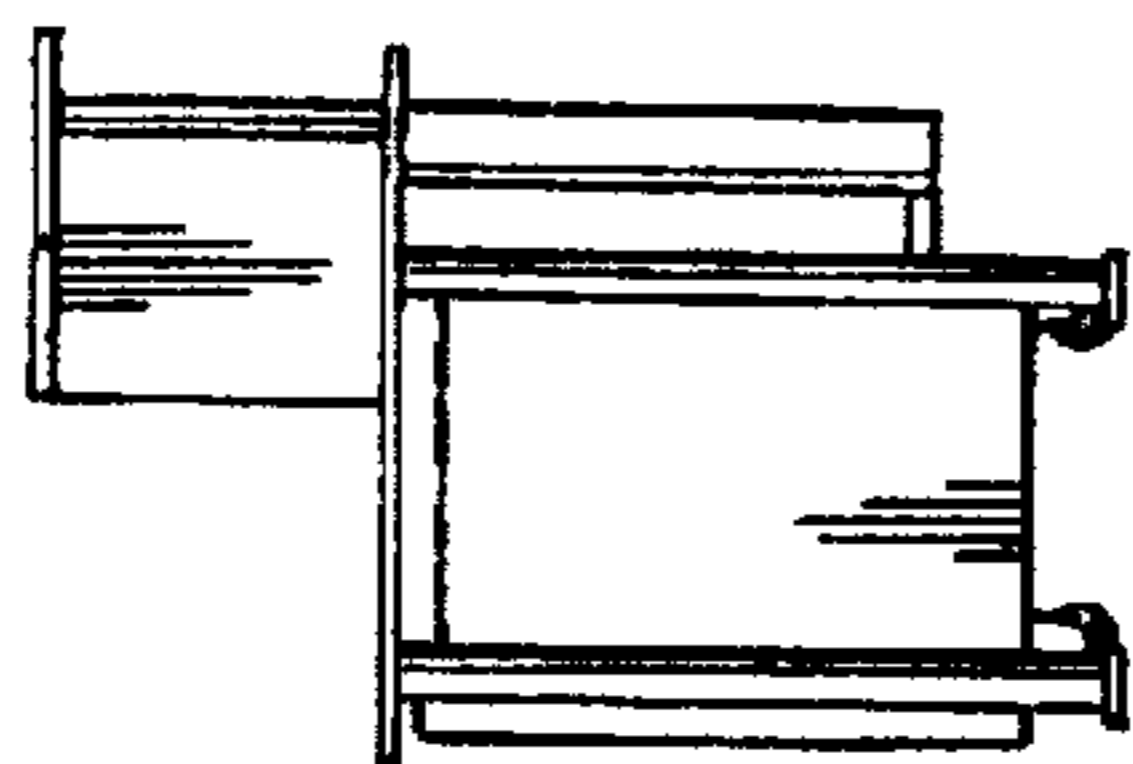


FIG.-3

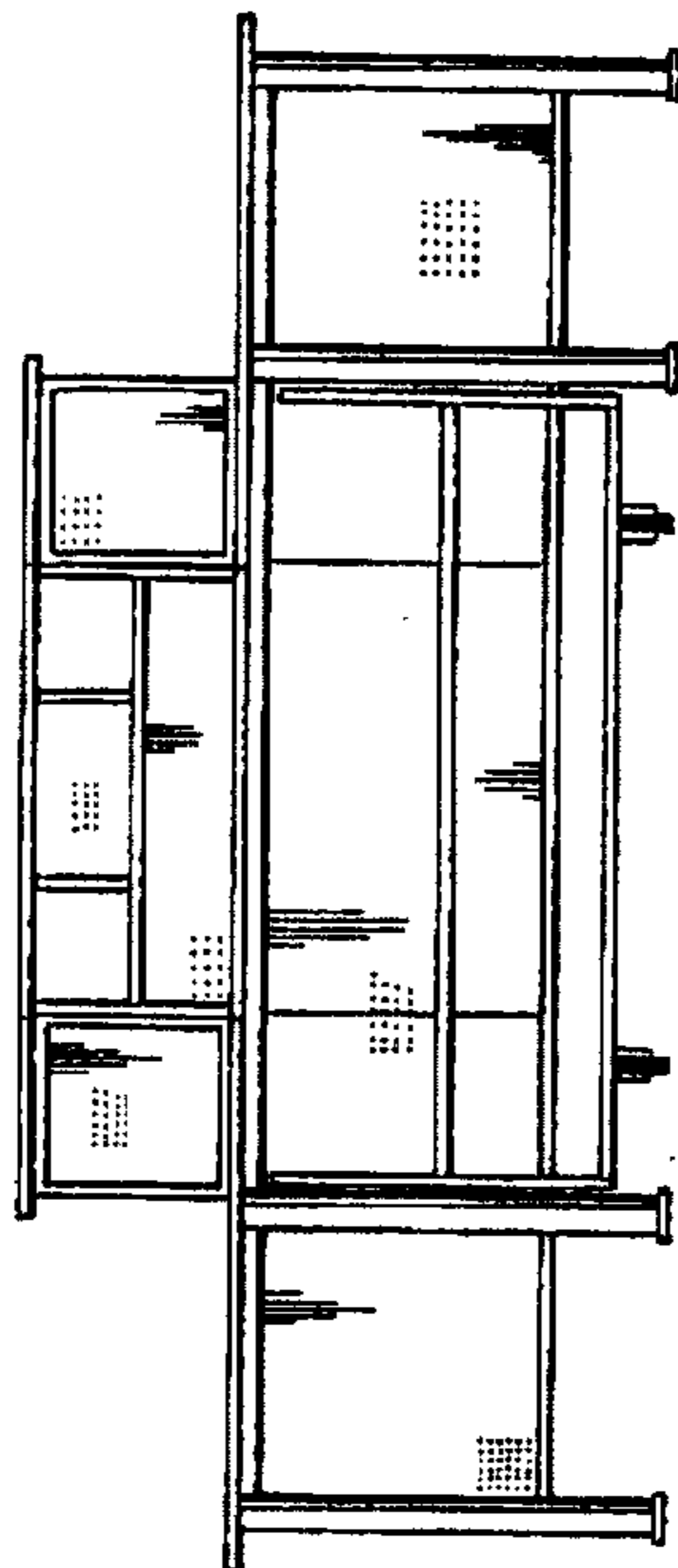


FIG.-4

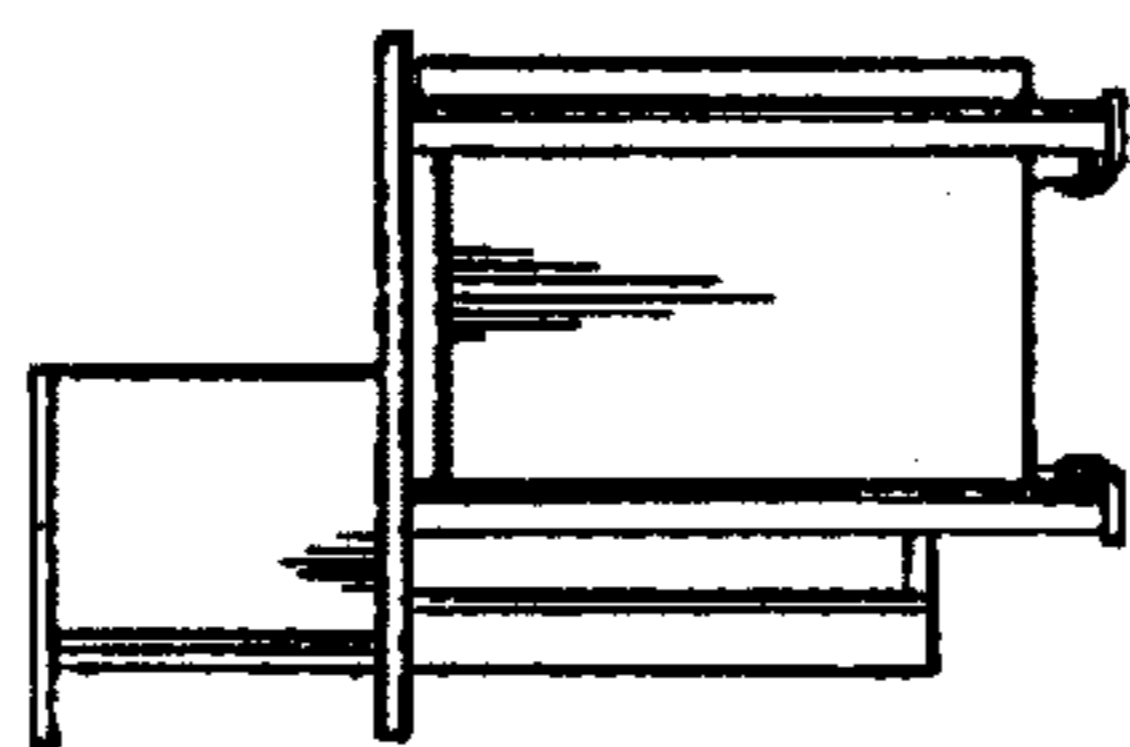


FIG.-5

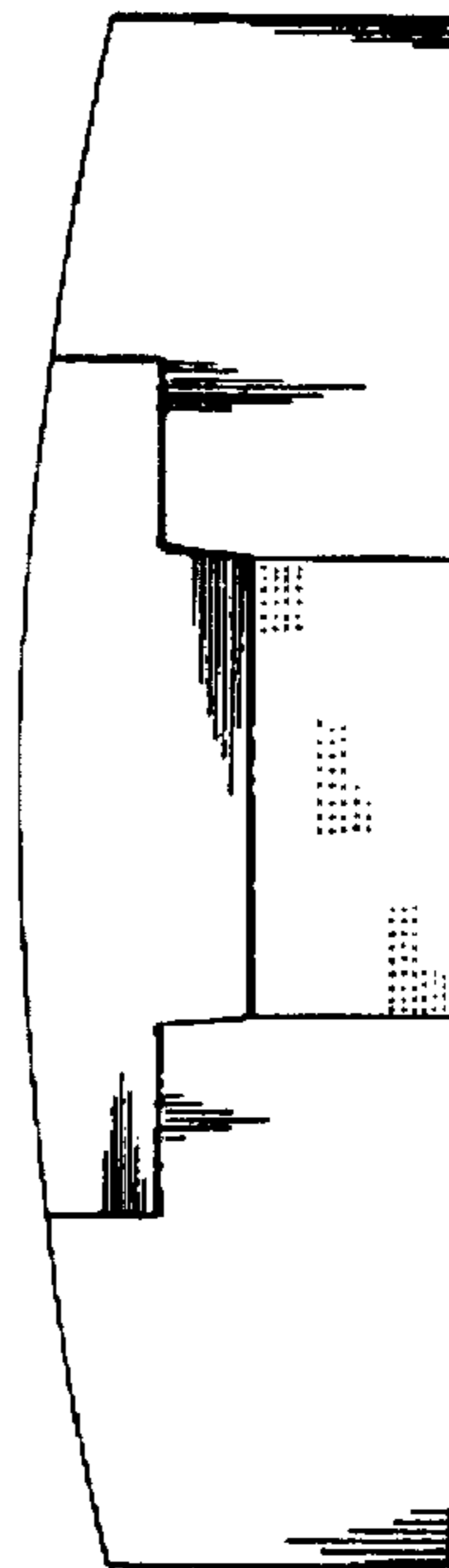


FIG.-6

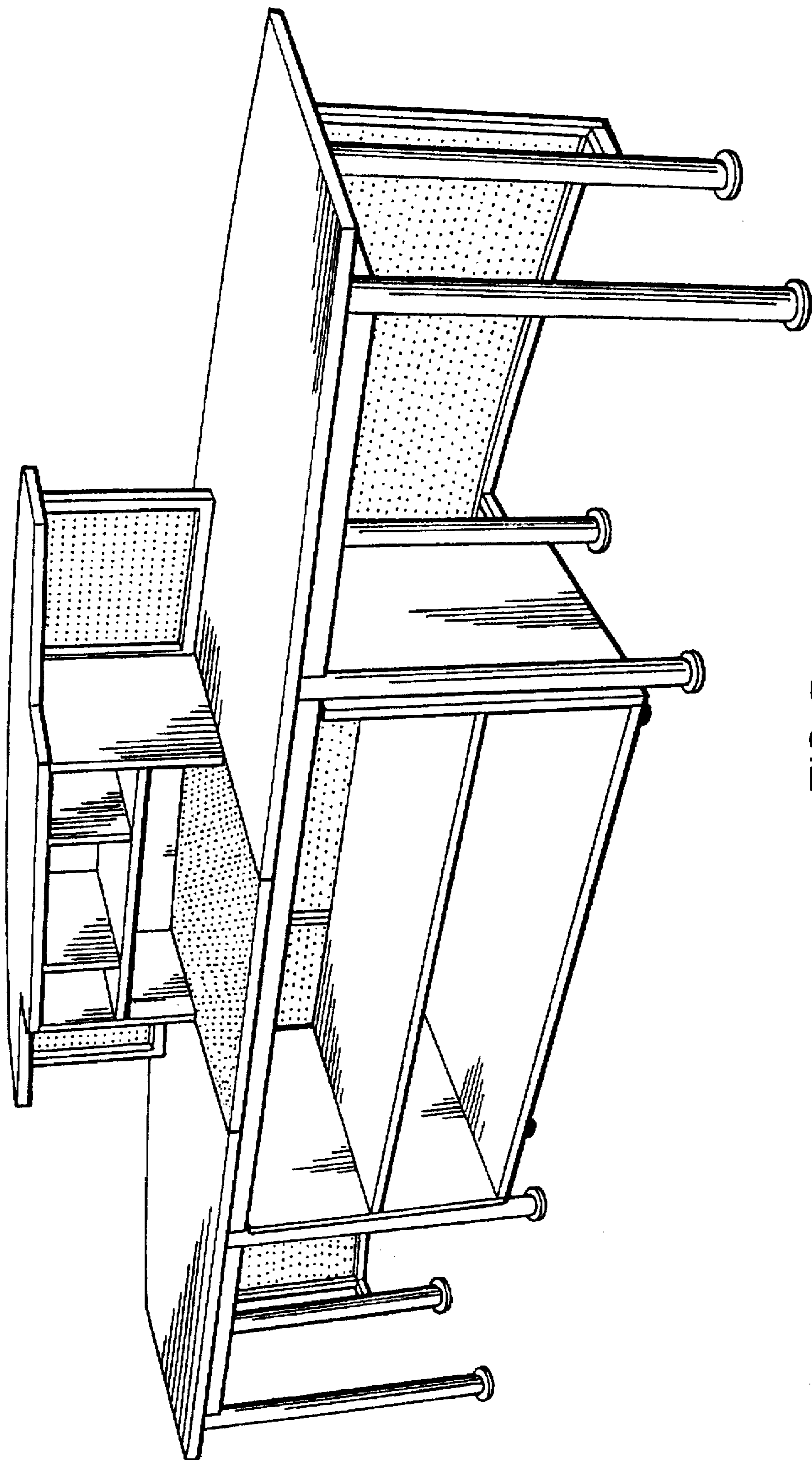


FIG.-7

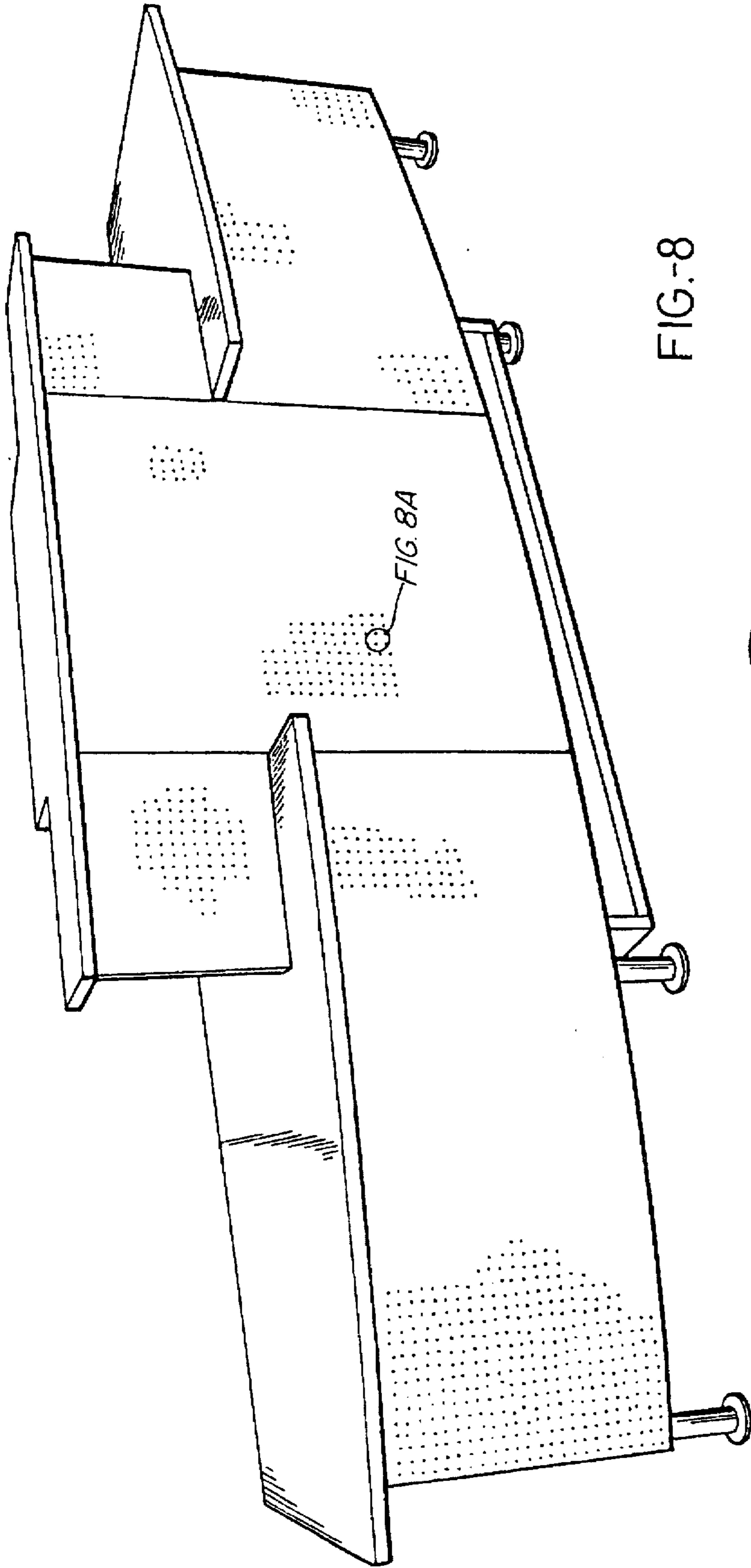


FIG.-8

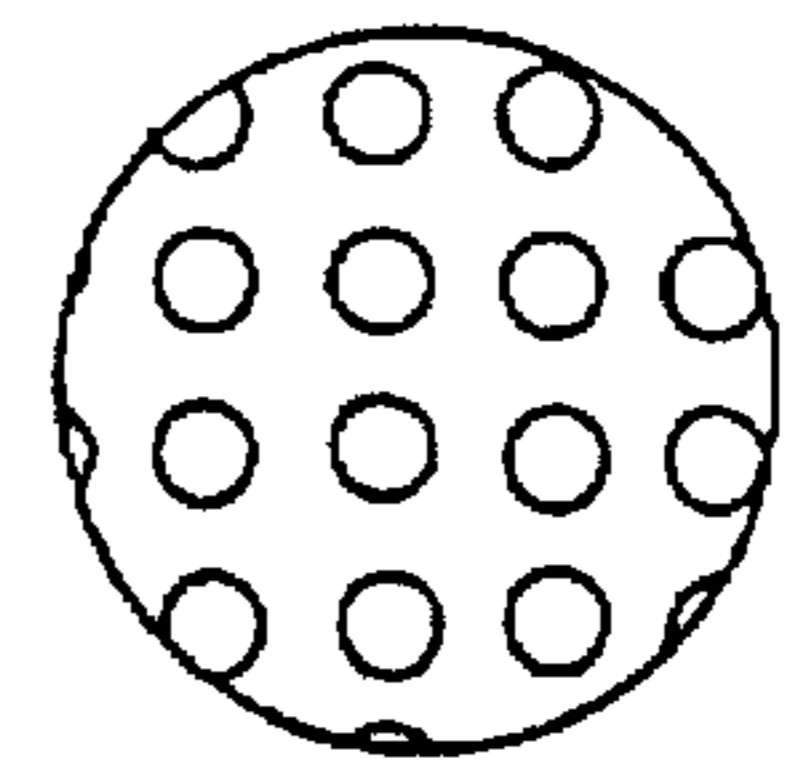


FIG.-8A