

US00D391415S

United States Patent [19]

O'Sullivan et al.

[11] Patent Number: **Des. 391,415**

[45] Date of Patent: *****Mar. 3, 1998**

[54] CORNER COMPUTER WORKSTATION

[75] Inventors: **Michael P. O'Sullivan**, Lamar, Mo.;
Edwin P. Lochridge, Atlanta, Ga.

[73] Assignee: **O'Sullivan Industries, Inc.**, Lamar,
Mo.

[*] Notice: The portion of the term of this patent
subsequent to Jul. 29, 2011, has been
disclaimed.

[**] Term: **14 Years**

[21] Appl. No.: **61,114**

[22] Filed: **Oct. 16, 1996**

[51] LOC (6) Cl. **06-04**

[52] U.S. Cl. **D6/426**

[58] Field of Search D6/422-431, 474;
312/194-196, 223.2, 223.3; 108/59, 60,
92

[56] References Cited

U.S. PATENT DOCUMENTS

D. 330,124	10/1992	Short	D6/422
D. 334,483	4/1993	Johnson	D6/430
D. 334,490	4/1993	Johnson	D6/430
D. 349,200	8/1994	Kelley	D6/427
D. 353,959	1/1995	Kovacevic	D6/430 X
D. 354,408	1/1995	Kelley	D6/426
D. 382,419	8/1997	O'Sullivan et al.	D6/426
4,345,803	8/1982	Heck	312/194
5,615,936	4/1997	Simmons et al.	312/194 X

OTHER PUBLICATIONS

Office Furniture Mart Cat. p. 35; item B corner terminal
stand, 1988.

K. Log Catalog p. 51; corner computer center top right on
page, 1993.

Modern Office p. 11; computer support furniture on top of
page, 1993/94.

Best p. L5; corner computer center by Bush top left on page,
1995/96.

Primary Examiner—James Gandy

Assistant Examiner—Linda Brooks

Attorney, Agent, or Firm—Haynes & Boone L.L.P.

[57] CLAIM

The ornamental design for a corner computer workstation, as
shown and described.

DESCRIPTION

FIG. 1 is a front perspective view of a corner computer
workstation showing our new design;

FIG. 2 is a front elevational view thereof;

FIG. 3 is a left side elevational view thereof;

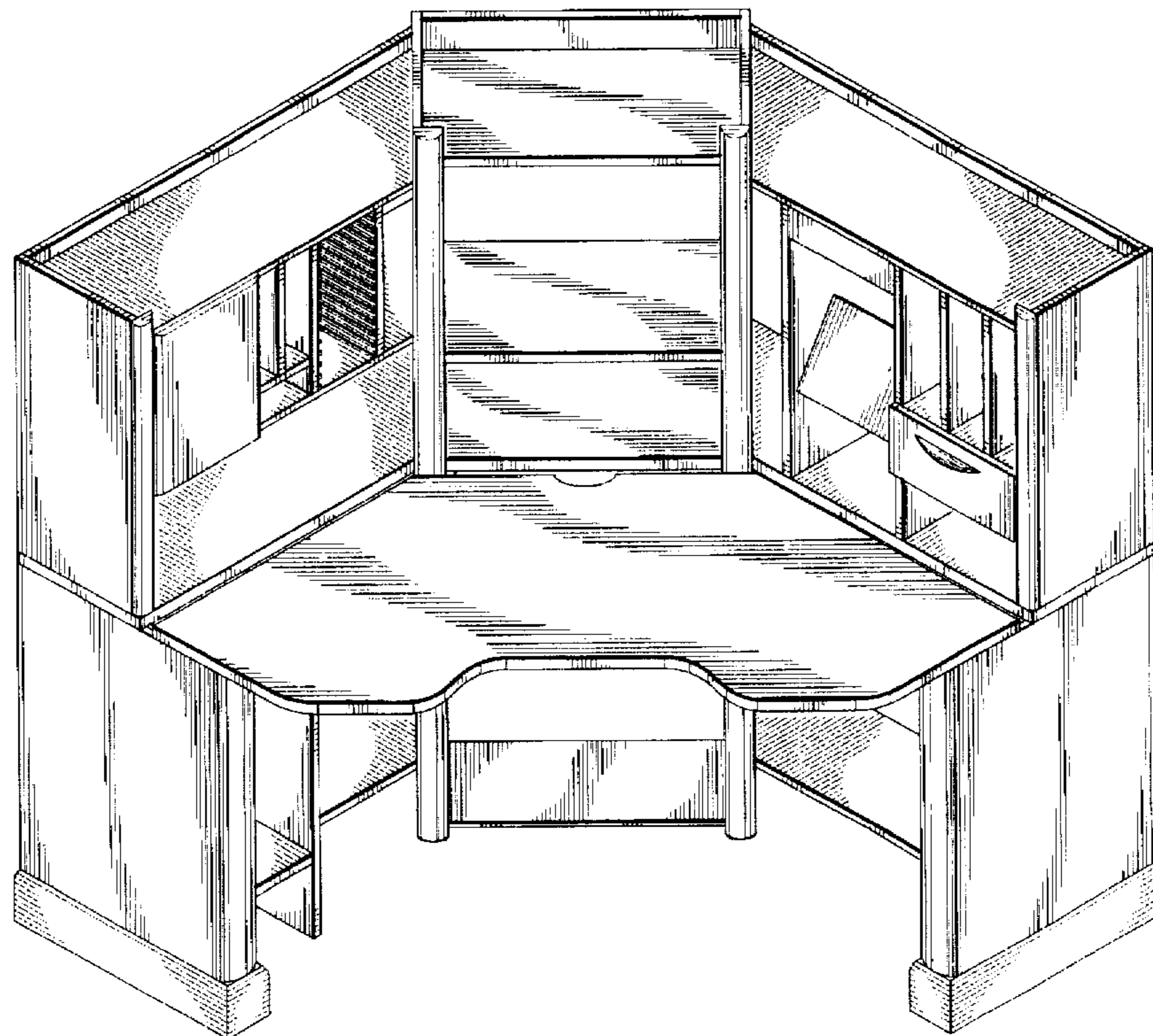
FIG. 4 is a right side elevational view thereof;

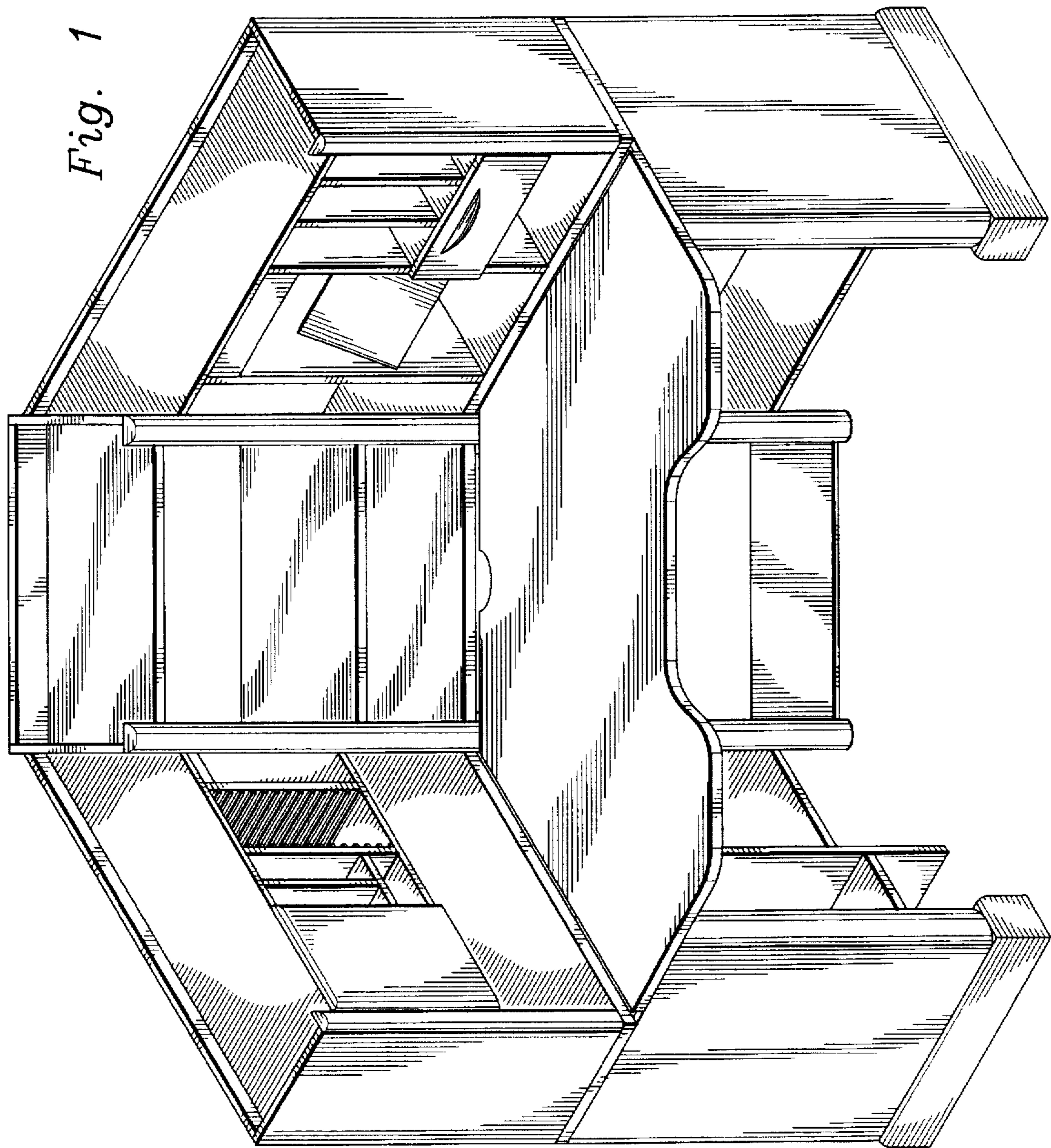
FIG. 5 is a top plan view thereof;

FIG. 6 is a rear elevational view thereof; and,

FIG. 7 is an enlarged fragmentary perspective view partially
in section of a compact disk rack disposed on the upper
left-hand portion thereof, shown separately for clarity of
illustration.

1 Claim, 7 Drawing Sheets





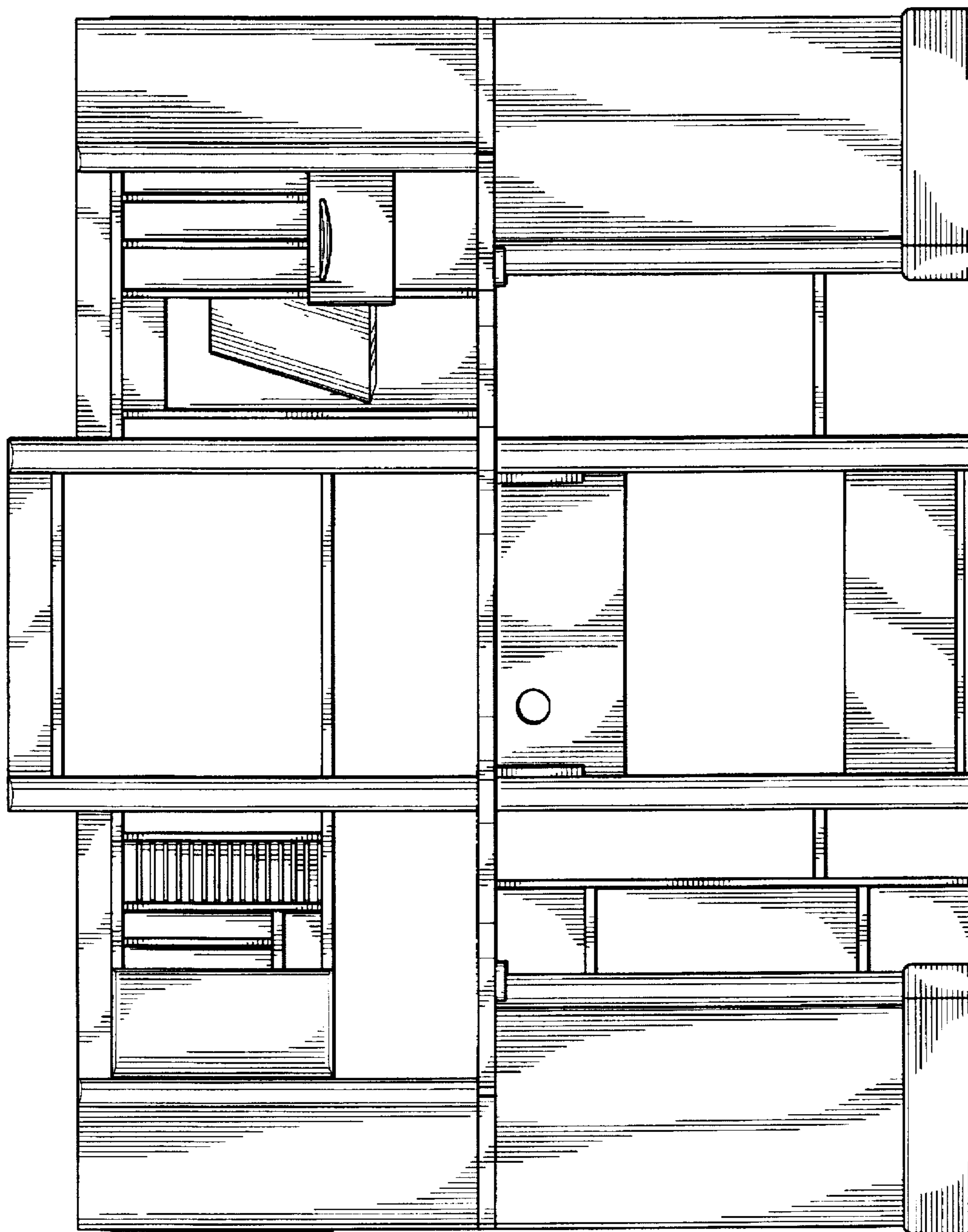


Fig. 2

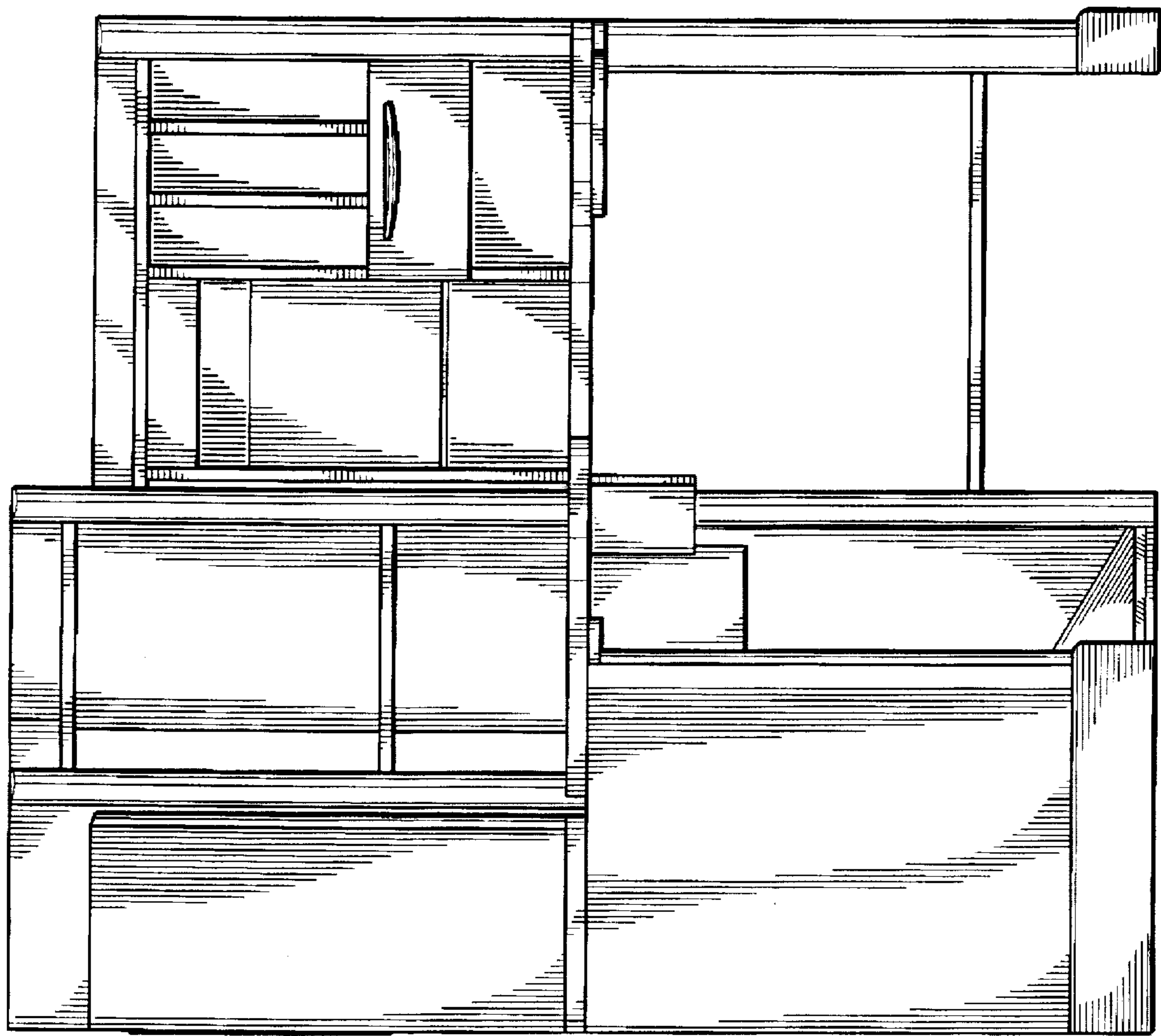


Fig. 3

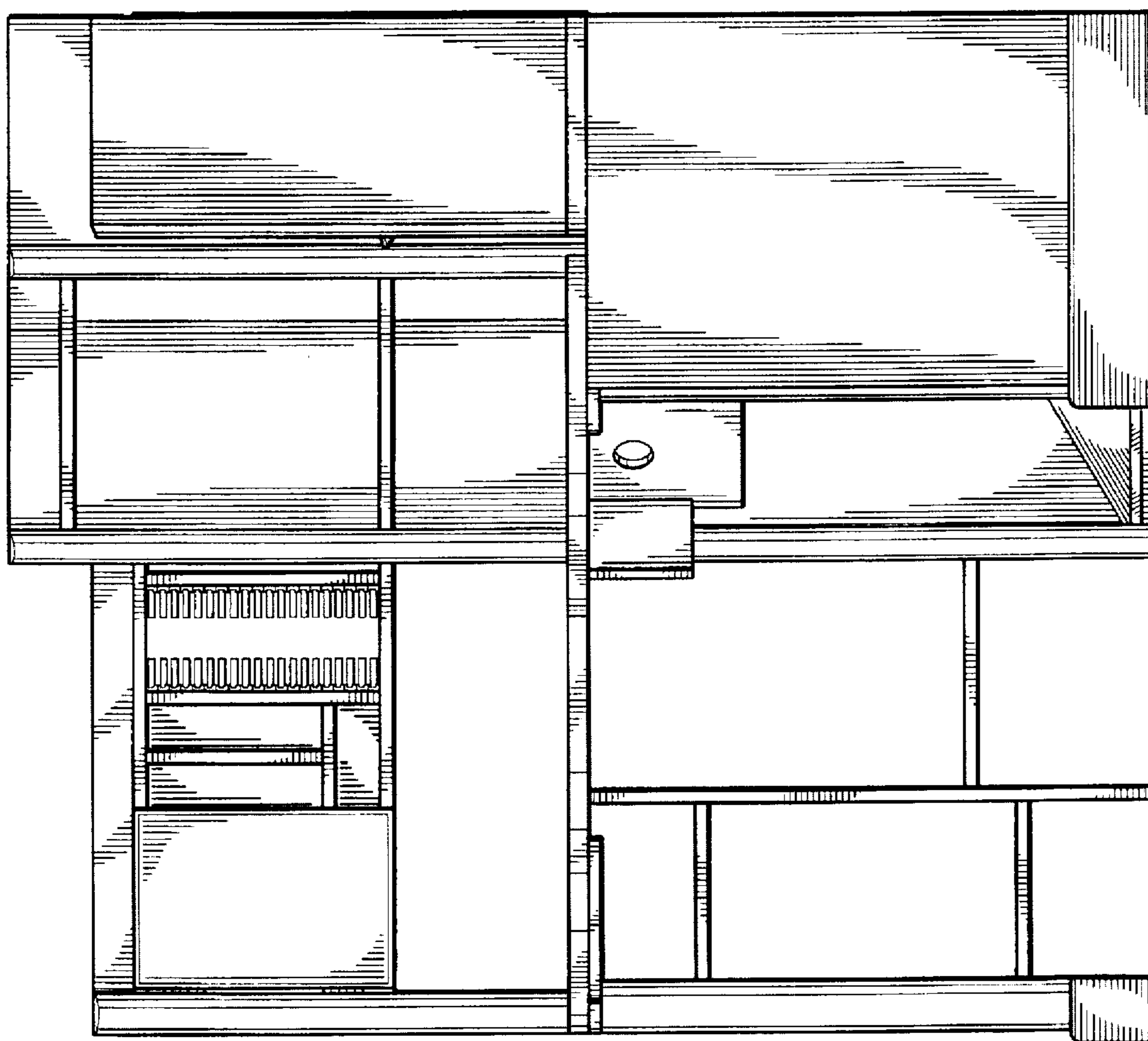


Fig. 4

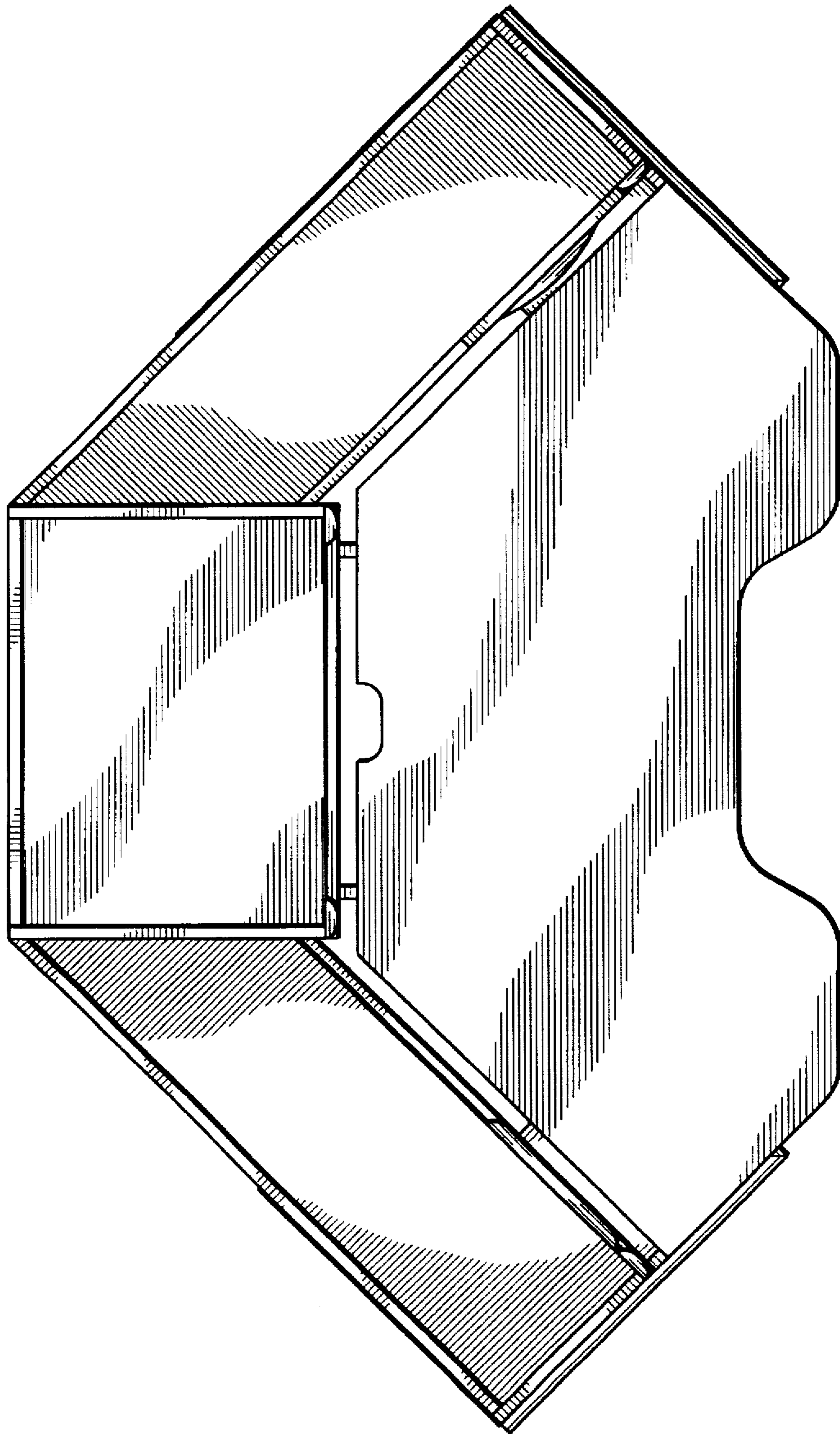


Fig. 5

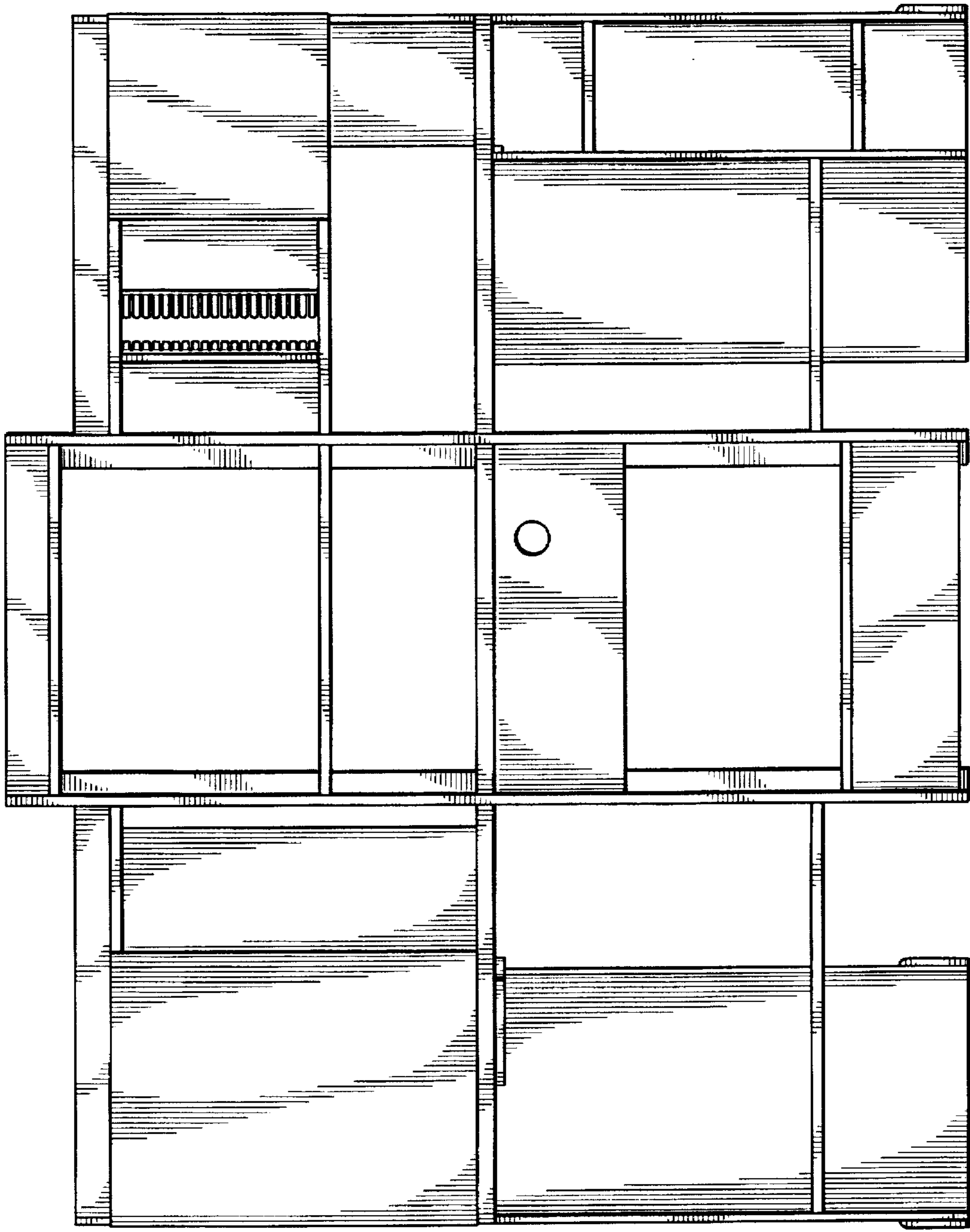


Fig. 6

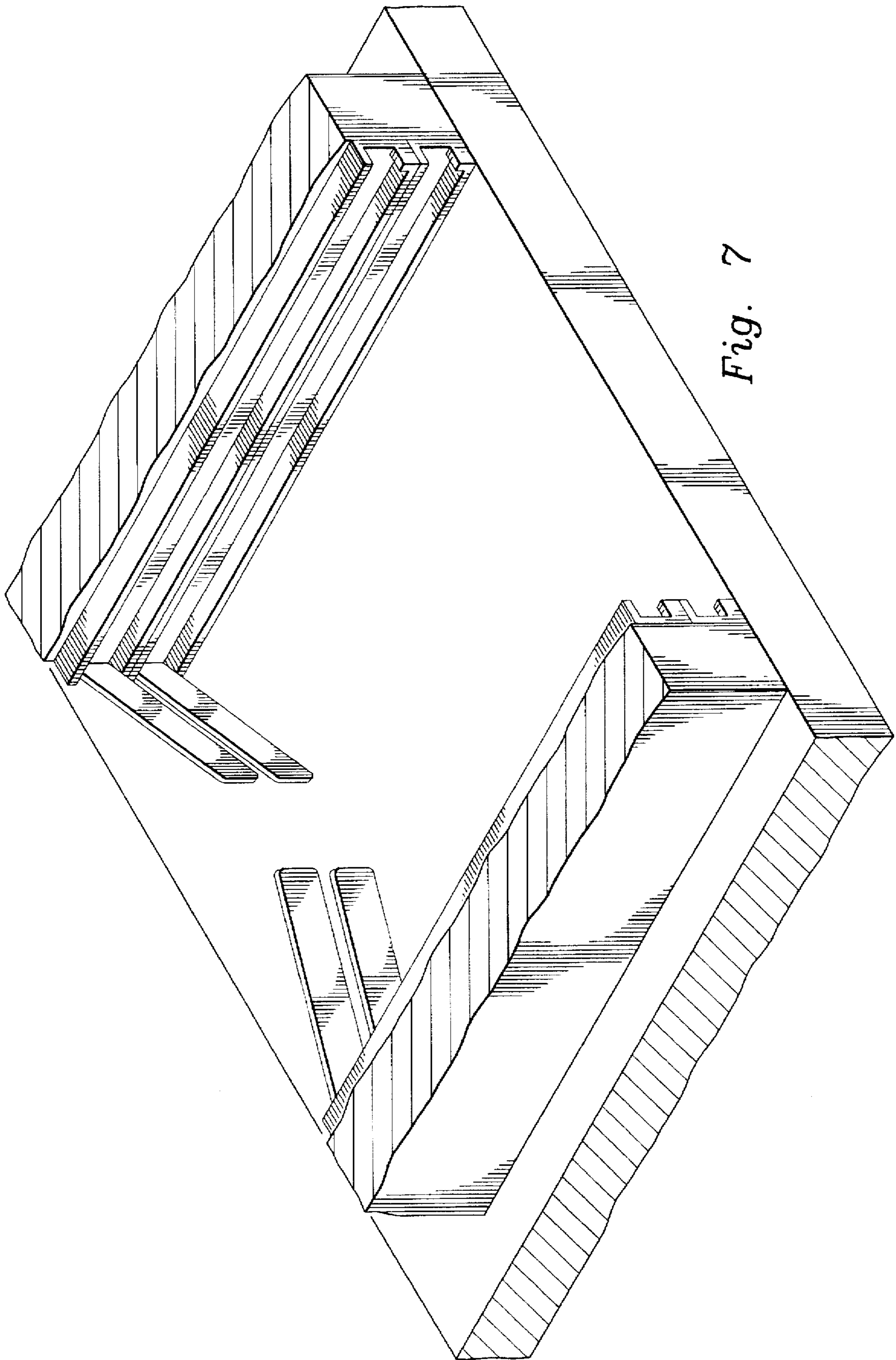


Fig. 7