

US00D391409S

# United States Patent [19]

Brooks

[11] Patent Number: **Des. 391,409**

[45] Date of Patent: **\*\*Mar. 3, 1998**

[54] **GLIDING ROCKER CHAIR**

[75] Inventor: **Michael W. Brooks**, Union, Tenn.

[73] Assignee: **Brooks Mfg., Co., Inc.**, Tazewell, Tenn.

[\*\*] Term: **14 Years**

[21] Appl. No.: **54,698**

[22] Filed: **May 29, 1996**

[51] LOC (6) Cl. .... **06-01**

[52] U.S. Cl. .... **D6/344**

[58] Field of Search ..... D6/334, 335, 344,  
D6/347, 370, 379, 380, 500, 501, 502;  
297/259.3, 273, 281

[56] **References Cited**

**U.S. PATENT DOCUMENTS**

D. 222,832	1/1972	Lax	.....	D6/344
D. 332,704	1/1993	Desnoyers	.....	D6/347
D. 335,582	5/1993	Desnoyers	.....	D6/344
D. 353,267	12/1994	Desnoyers	.....	D6/344
D. 362,969	10/1995	Desnoyers	.....	D6/344
D. 373,684	9/1996	Desnoyers	.....	D6/344

**OTHER PUBLICATIONS**

Evans, 1991-92 Catalog, p. 245, Glider Rocker at top right.  
JC Penney, Fall 1995, p. 1004, Glider at top right.  
Furniture Today, Oct. 23, 1995, p. 62, Brooks Furniture  
Glider Rocker at bottom left.

*Primary Examiner*—Gary D. Watson  
*Attorney, Agent, or Firm*—Pitts & Brittan, P.C.

[57] **CLAIM**

The ornamental design for a gliding rocker chair, as shown and described.

**DESCRIPTION**

FIG. 1 illustrates a gliding rocker chair incorporating the design of the present invention;

FIG. 2 illustrates a right side elevation view of the gliding rocker chair shown in FIG. 1, the left side elevation being a mirrored image thereof;

FIG. 3 illustrates a front elevation view of the gliding rocker chair of FIG. 1.

FIG. 4 illustrates a rear elevation view of the gliding rocker chair of FIG. 1;

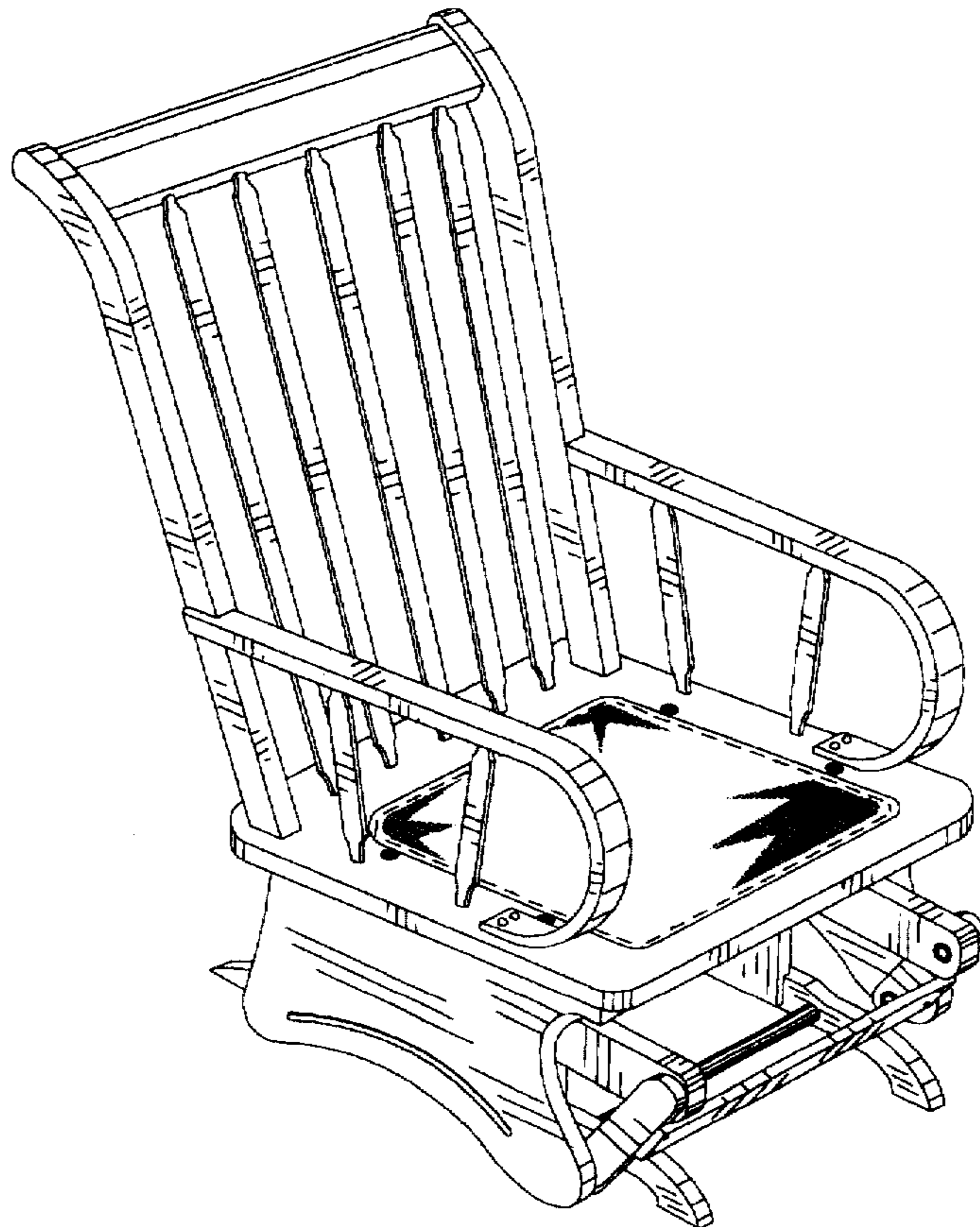
FIG. 5 illustrates a plan view of the gliding rocker chair of FIG. 1, and .

FIG. 6 illustrates a bottom view of the gliding rocker chair of FIG. 1.

FIGS. 2, 3, 4 and 5 illustrate with phantom lines, cushions which are shown for purposes of environment only.

The broken lines shown on the seat pad in FIGS. 1 and 5 represent stitching. The fragmented depiction of fabric-like pattern shown on the chair pad in FIGS. 1 and 5 is understood to be continuous throughout.

**1 Claim, 4 Drawing Sheets**



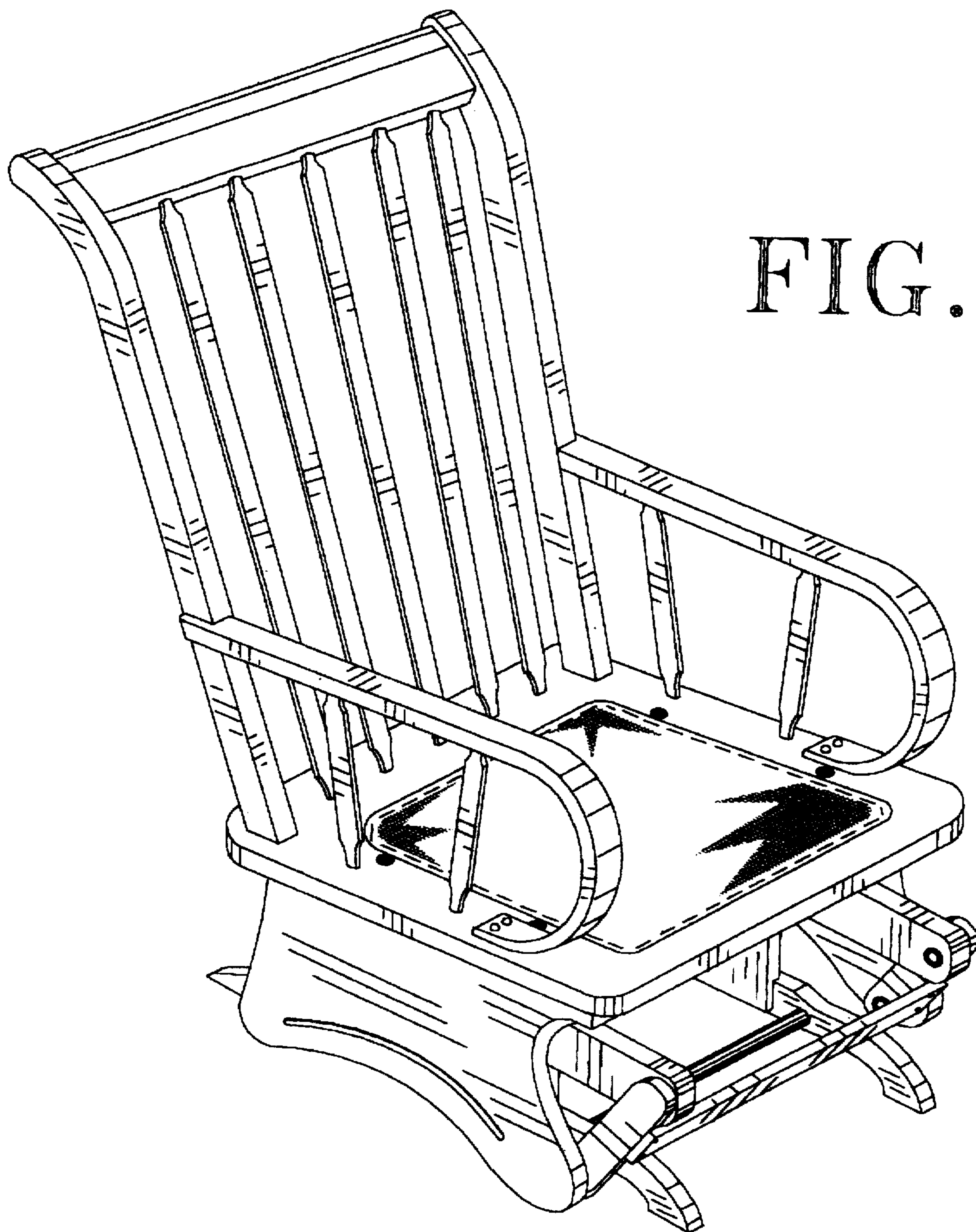


FIG. 1

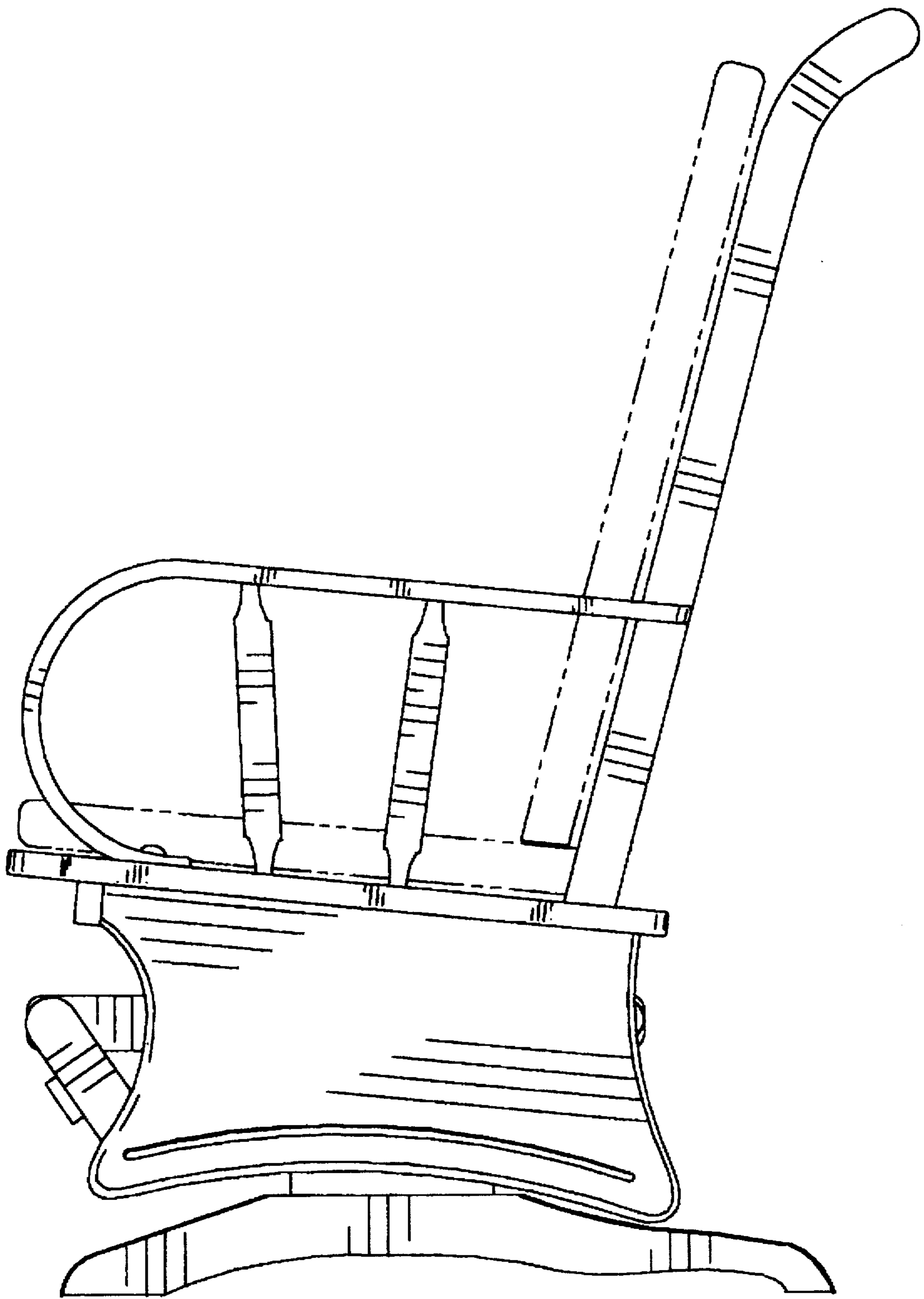


FIG. 2

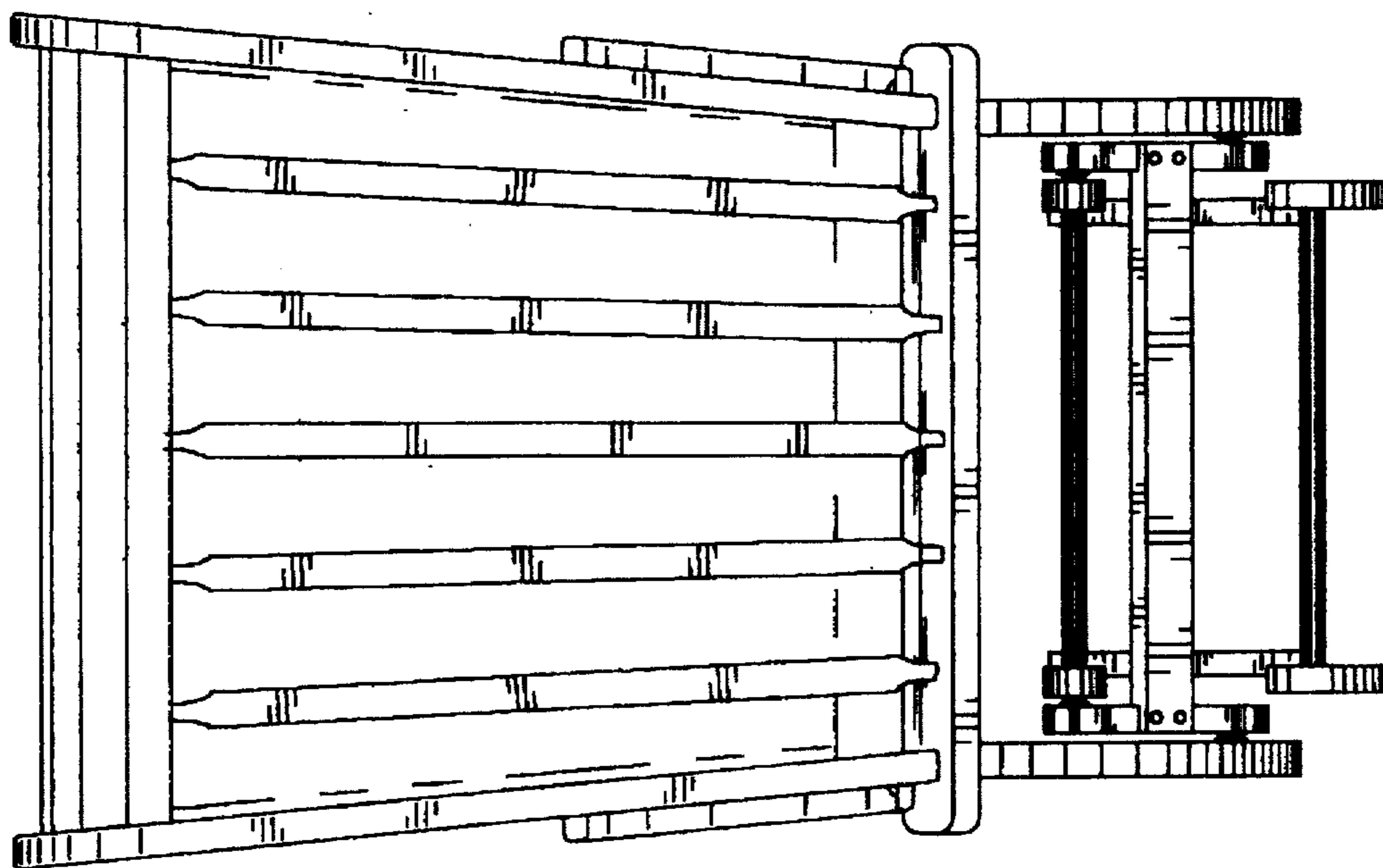


FIG. 4

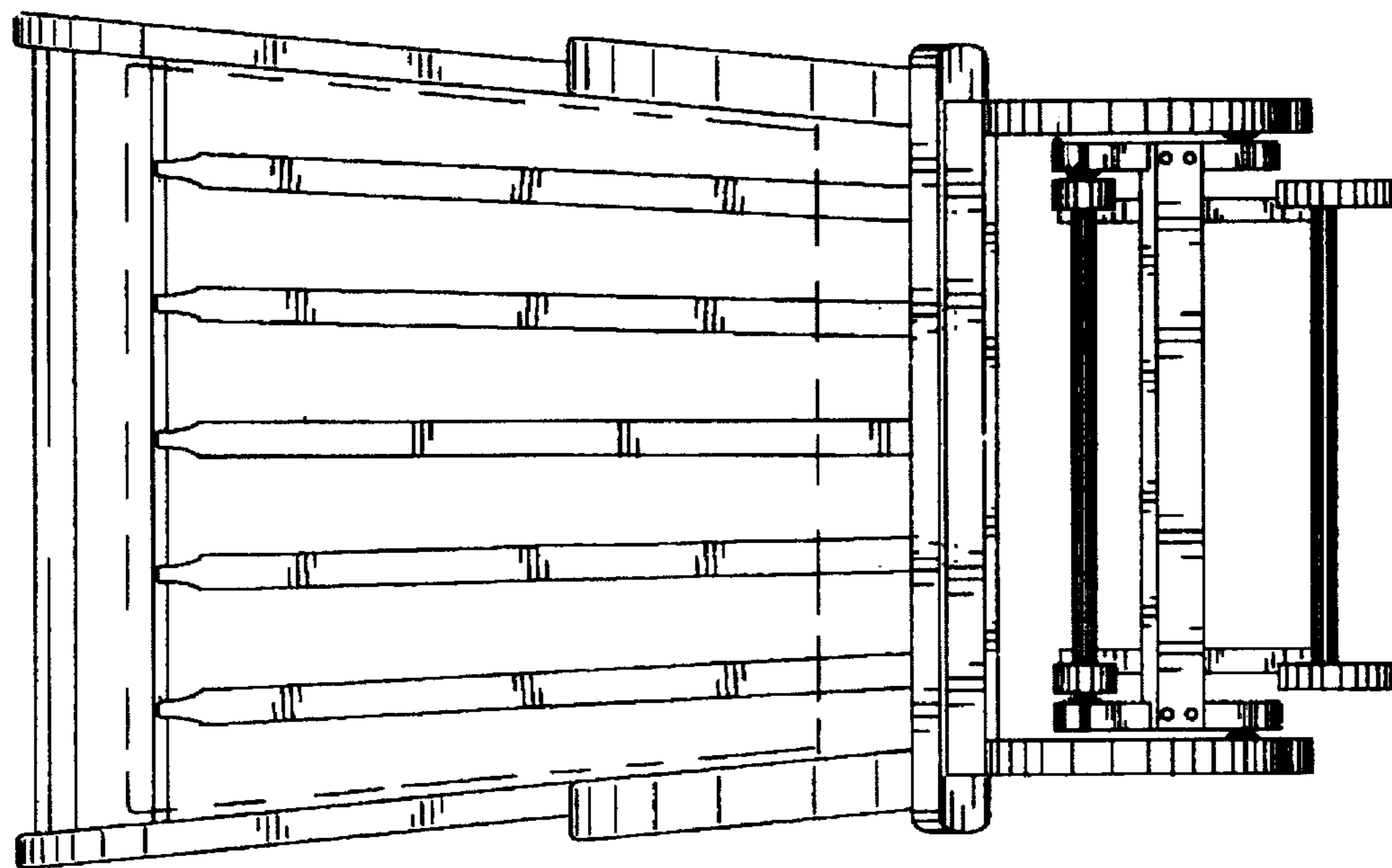


FIG. 3

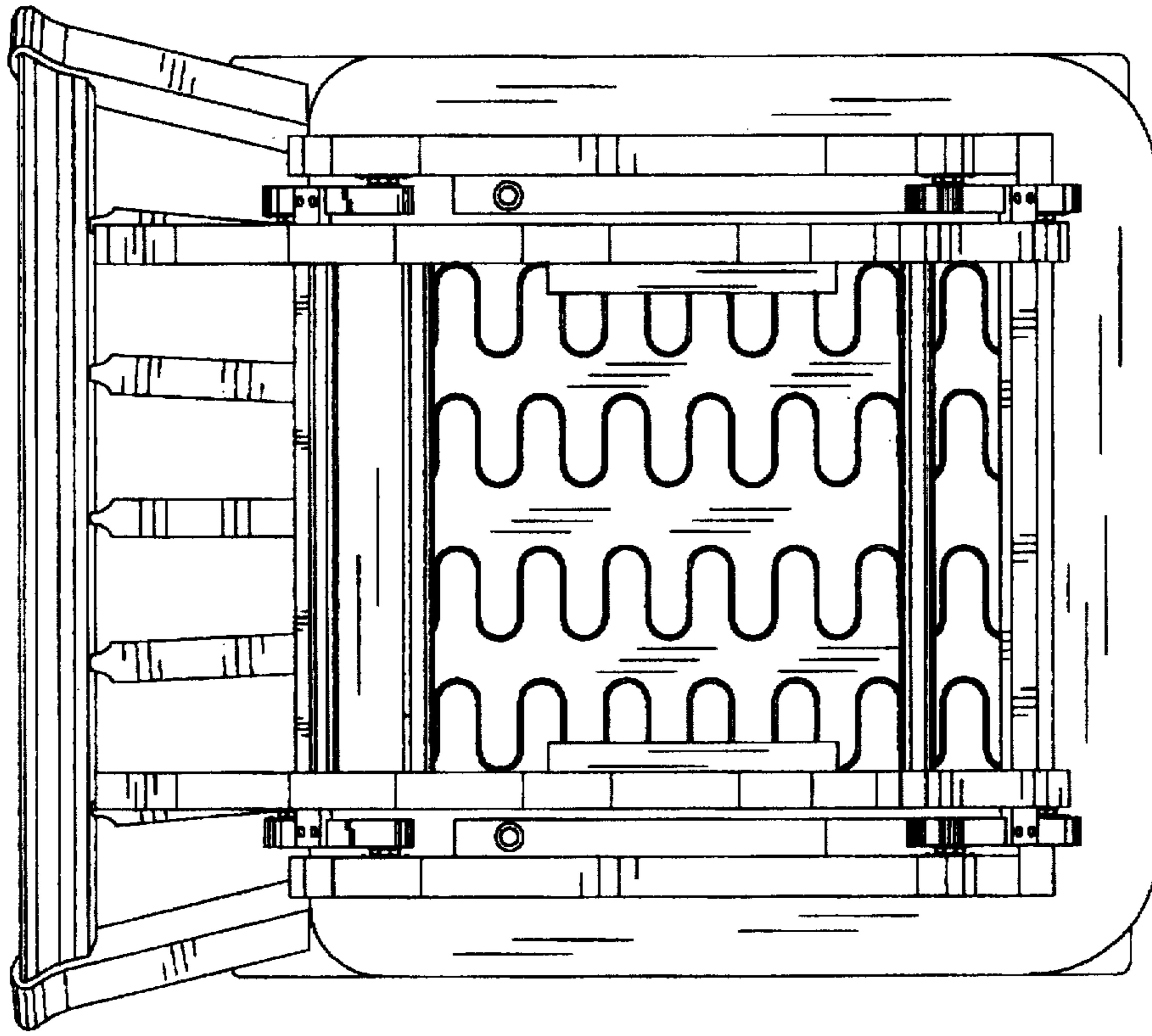


FIG. 6

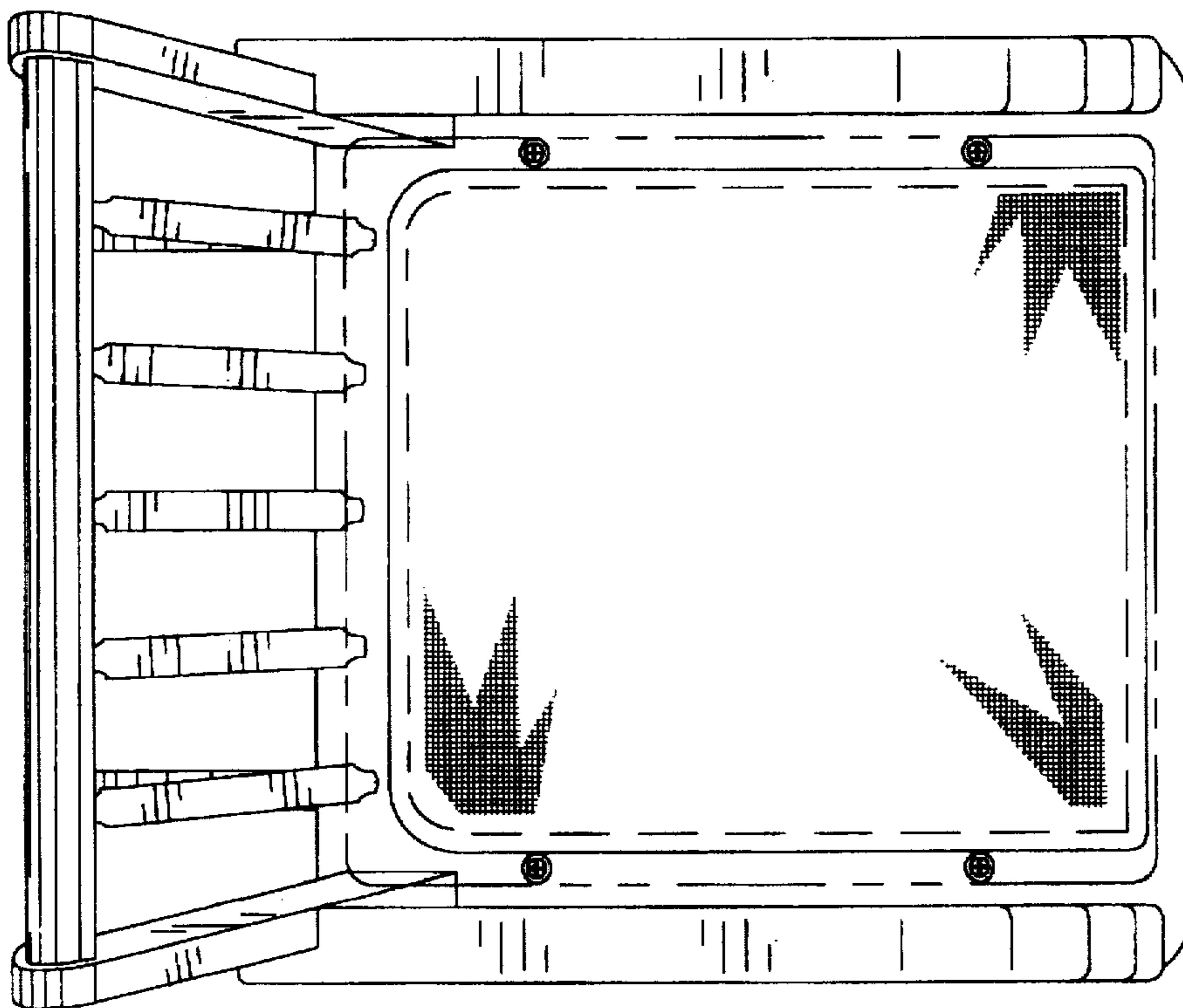


FIG. 5