



US00D391399S

United States Patent [19] Mills

[11] Patent Number: **Des. 391,399**

[45] Date of Patent: ****Mar. 3, 1998**

[54] **TOOTHBRUSH KIT**

5,144,712 9/1992 Hansel et al. 15/167.1
5,440,774 8/1995 Cole 15/105

[76] Inventor: **Sally R. Mills**, 1615 Jackson, Sioux City, Iowa 51105

Primary Examiner—Alan P. Douglas
Assistant Examiner—Lavone D. Tabor
Attorney, Agent, or Firm—David L. Volk

[**] Term: **14 Years**

[57] **CLAIM**

[21] Appl. No.: **69,872**

The ornamental design for a toothbrush kit, as shown and described.

[22] Filed: **May 12, 1997**

[51] LOC (6) Cl. **04-02**

DESCRIPTION

[52] U.S. Cl. **D4/108; D4/116; D9/432**

[58] Field of Search D4/104-112, 116, D4/121, 134, 138; 15/105, 167.1, 167.2, 184; 132/286, 308; 206/361, 362.2, 362.3, 209, 209.1, 223, 581; D9/337, 415, 432

FIG. 1 is an exploded top, front, right perspective view of a toothbrush kit showing my new design;
FIG. 2 is a bottom, rear, left perspective view thereof;
FIG. 3 is an enlarged top, front, right perspective view of the rinsing cup, shown unfolded;
FIG. 4 is an enlarged bottom, rear, left perspective view of the rinsing cup, shown unfolded; and
FIG. 5 is an enlarged perspective view of the toothbrush, shown folded.

[56] **References Cited**

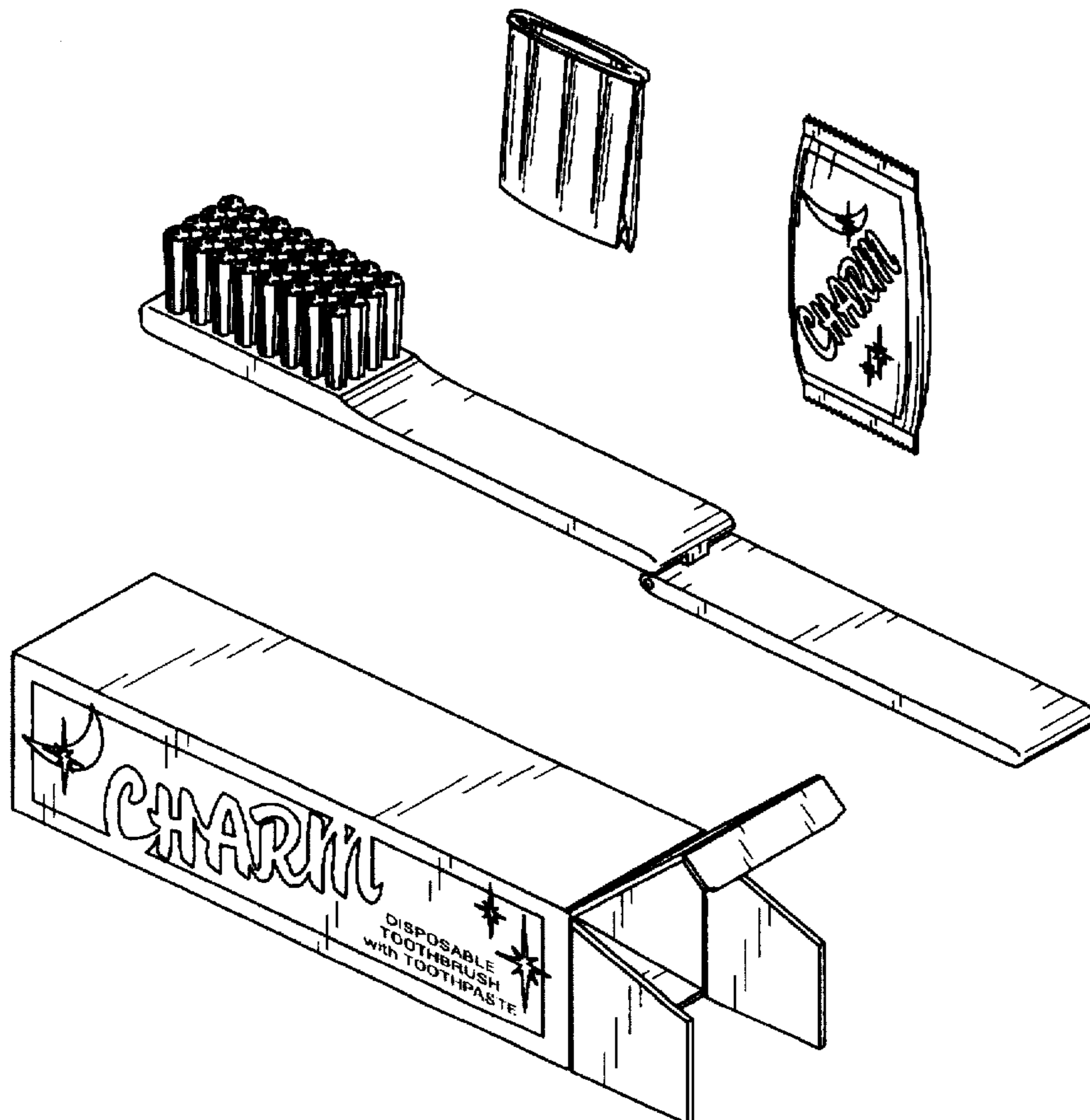
U.S. PATENT DOCUMENTS

D. 292,447	10/1987	Macias	D4/104
D. 309,678	8/1990	Jones	D4/104
D. 361,208	8/1995	Woods et al.	D4/104
2,454,995	11/1948	Curran	132/308
2,484,627	10/1949	Lennox	132/308
4,530,129	7/1985	Labick et al.	15/184
4,844,641	7/1989	Grosfully et al.	401/171
4,866,809	9/1989	Pelletier	15/167.1

All undisclosed or partially disclosed surfaces are plain and unornamental.

The rinsing cup and toothbrush are shown separately for clarity and ease of illustration.

1 Claim, 4 Drawing Sheets



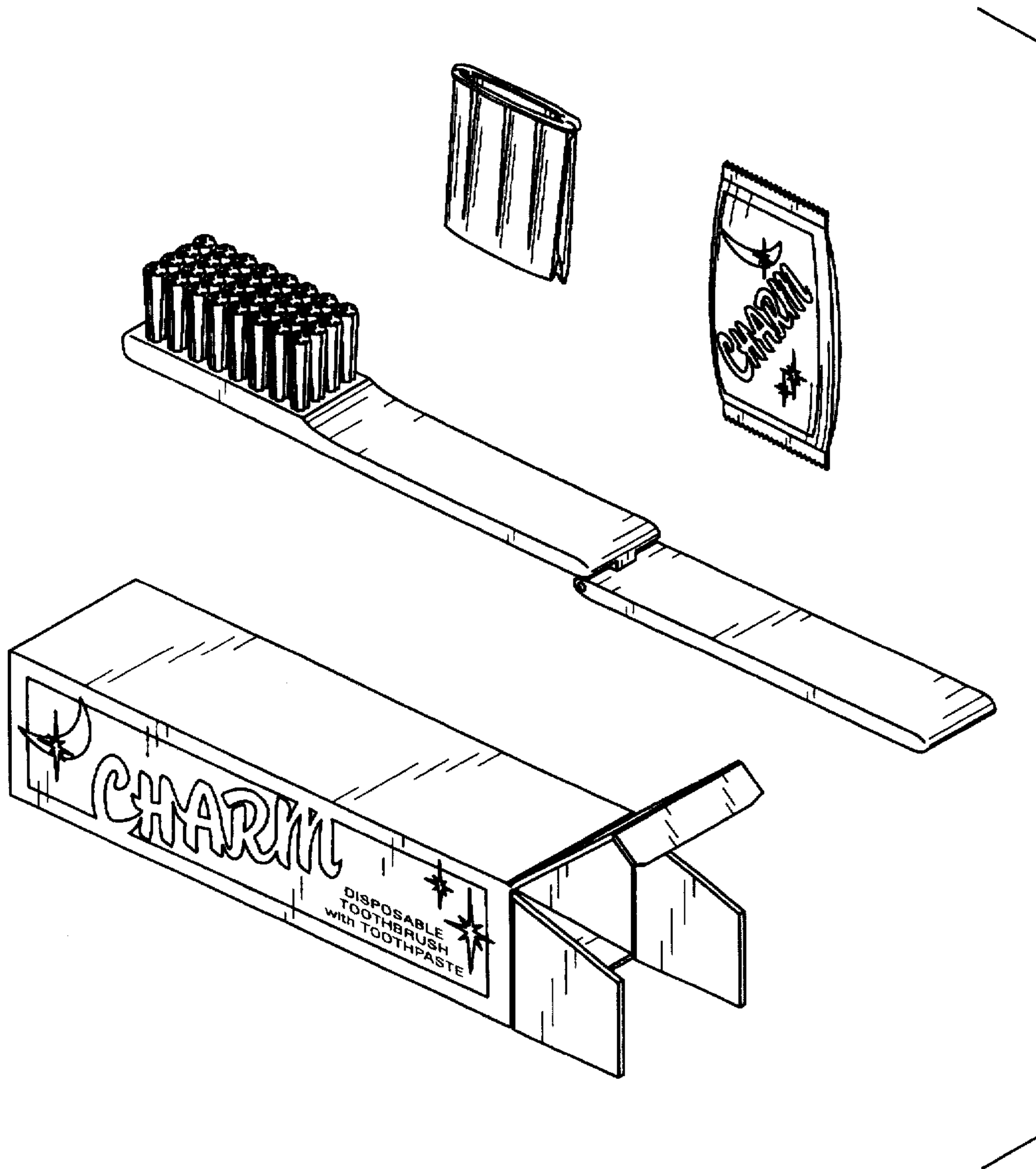


Fig. 1

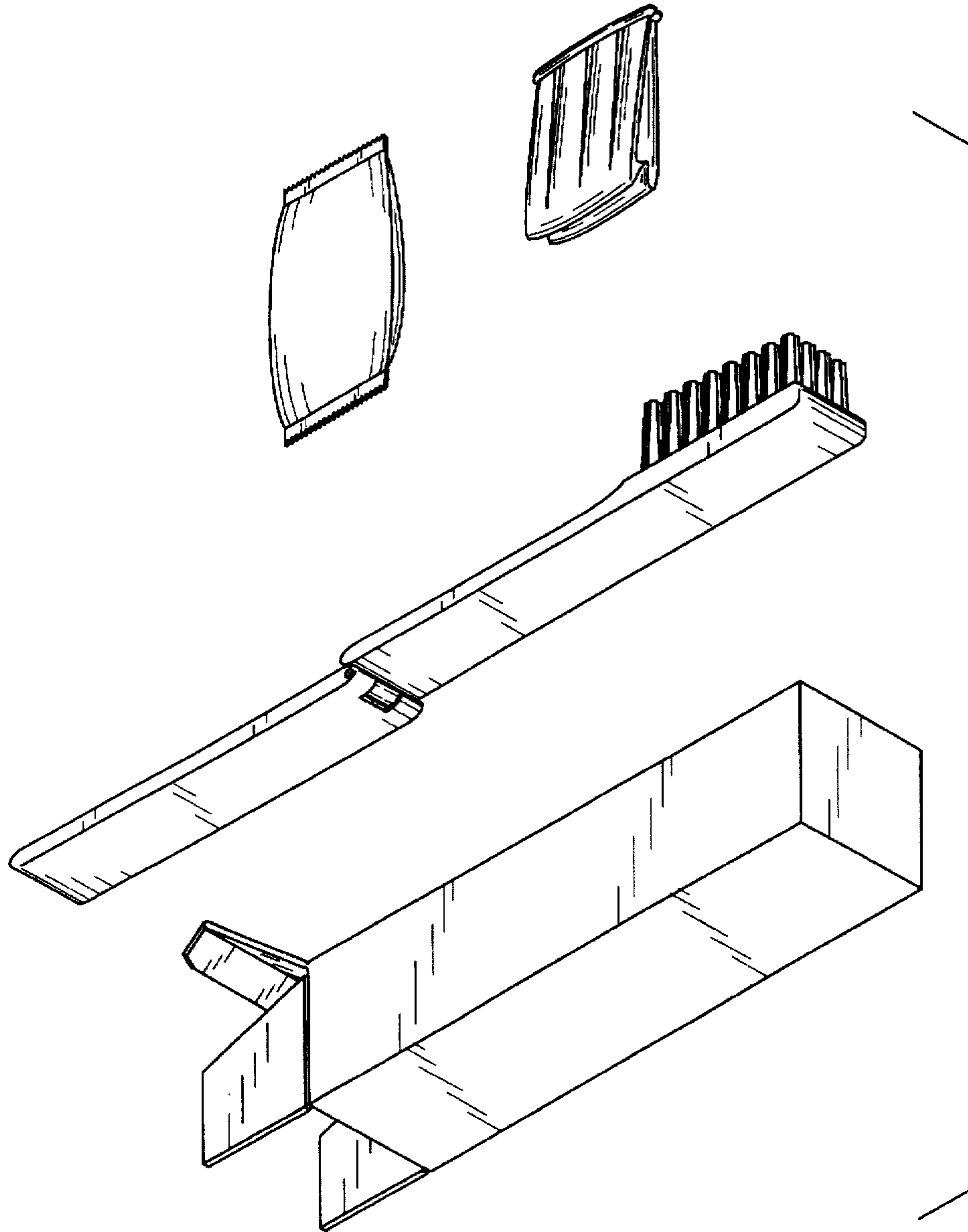


Fig. 2

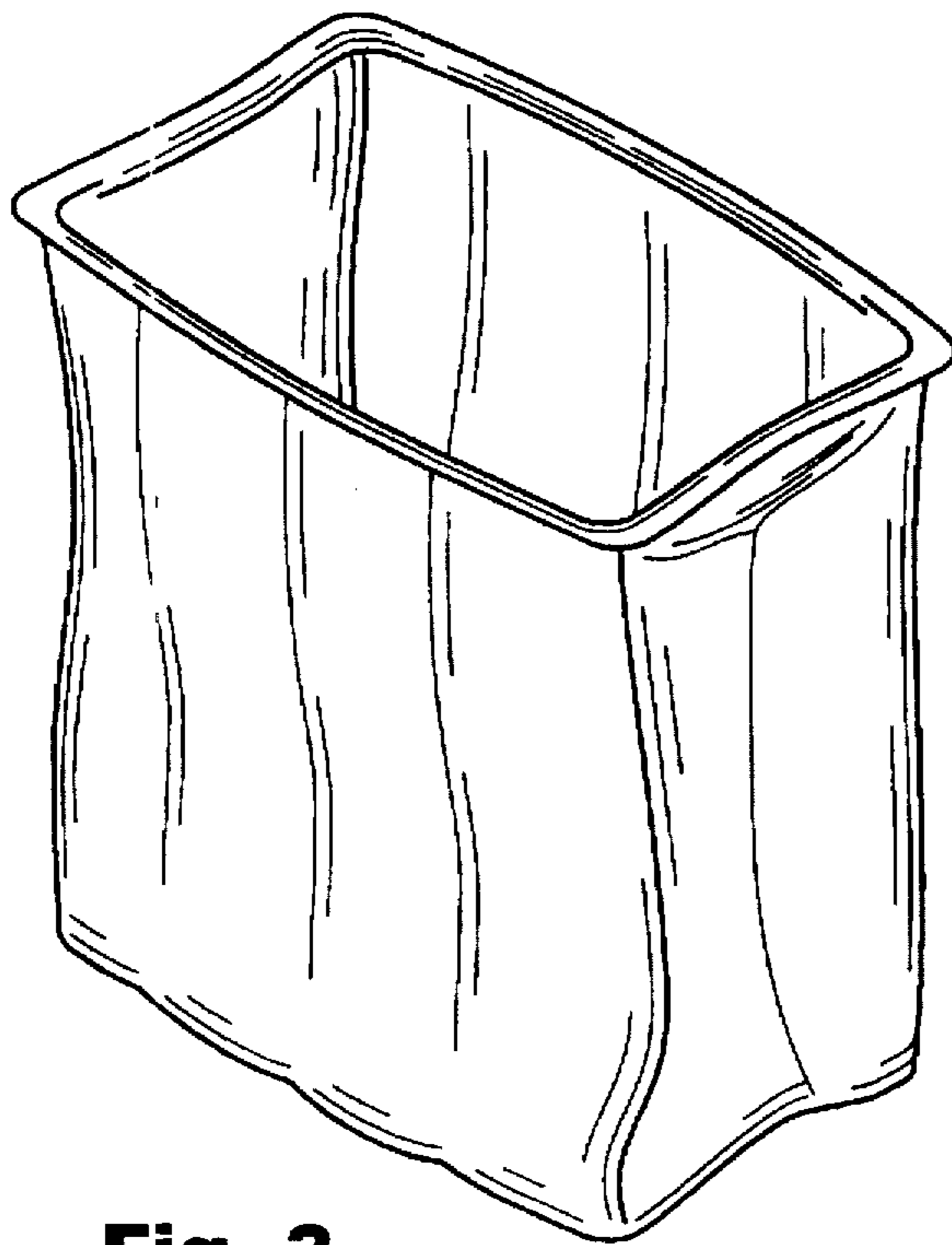


Fig. 3

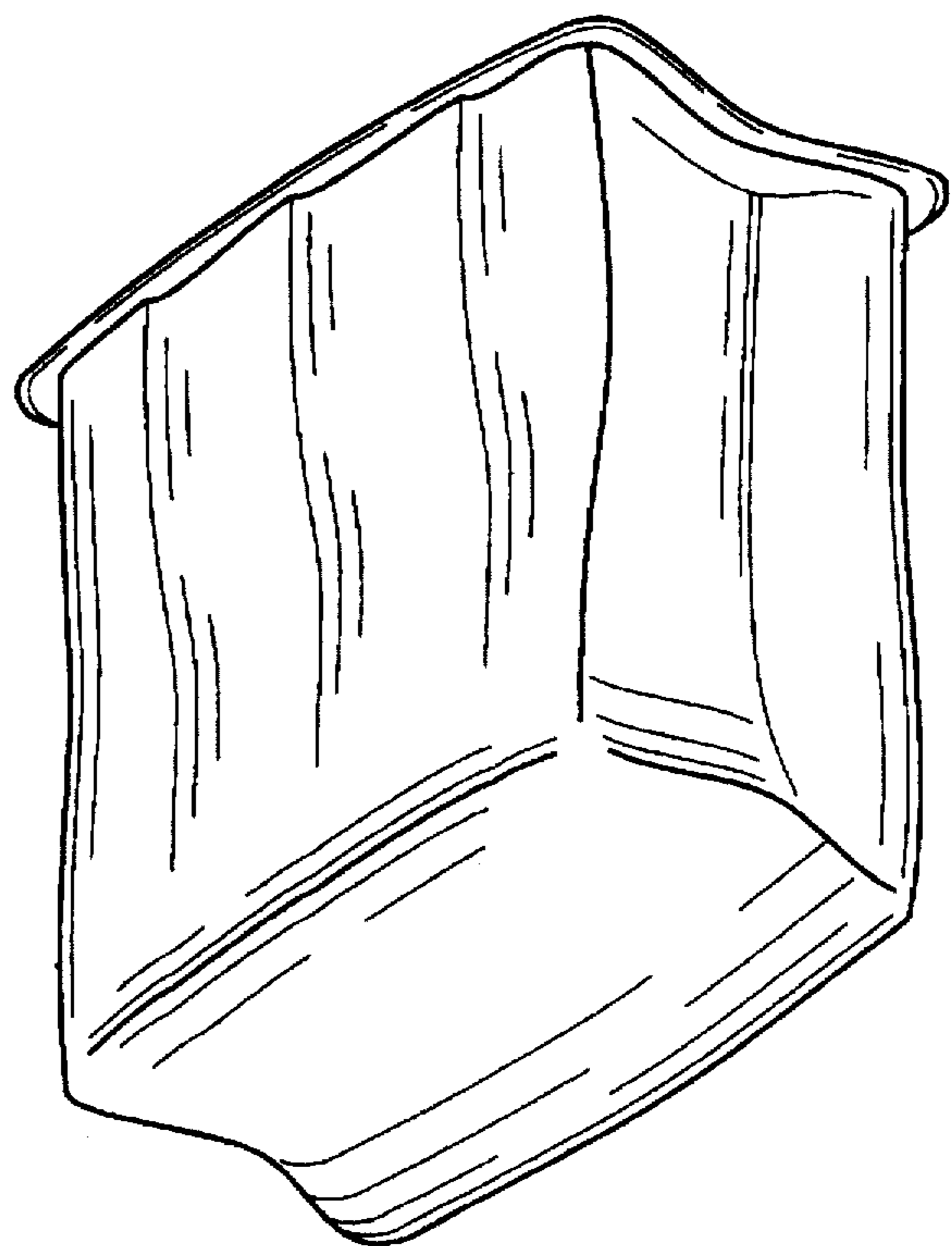


Fig. 4

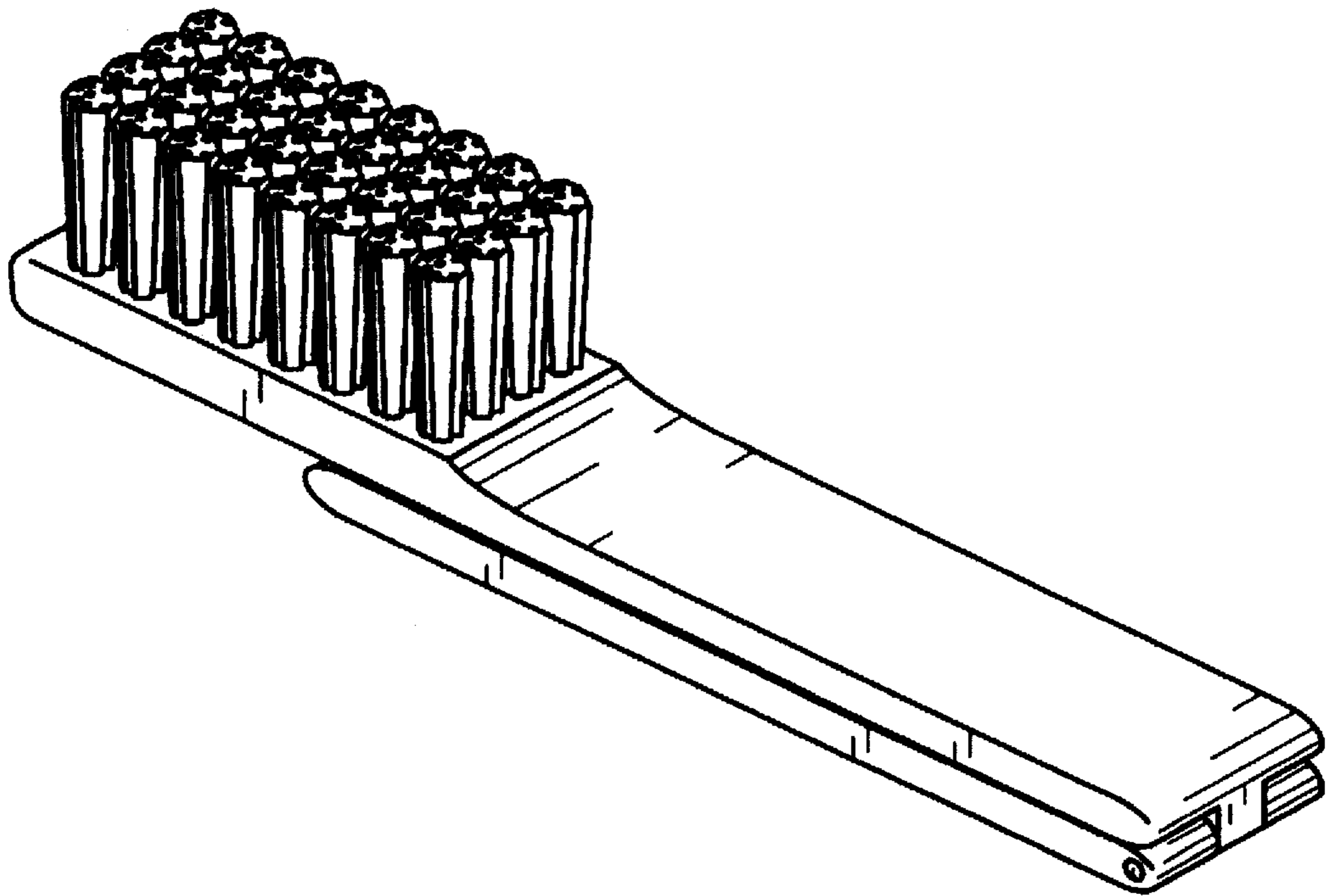


Fig. 5