

US00D391398S

United States Patent [19]
Howell

[11] **Patent Number: Des. 391,398**

[45] **Date of Patent: **Mar. 3, 1998**

[54] **SIGNALING POWERED TOOTH BRUSH**

4,630,326 12/1986 Stevens 15/22.1
5,100,252 3/1992 Podolsky 401/174

[76] **Inventor: Valerie A. Howell, 1285 Dean St Suite
4-L, Brooklyn, N.Y. 11216**

*Primary Examiner—Alan P. Douglas
Assistant Examiner—Lavone D. Tabor*

[**] **Term: 14 Years**

[57] **CLAIM**

[21] **Appl. No.: 69,782**

The ornamental design for a signaling powered tooth brush,
as shown.

[22] **Filed: Apr. 24, 1997**

DESCRIPTION

[51] **LOC (6) Cl. 04-02**

[52] **U.S. Cl. D4/101; D4/108**

[58] **Field of Search D4/101, 104-114,
D4/134, 138; 15/22.1, 22.2, 24, 29, 105,
167.1, 167.2, 143.1; 132/308, 309; 401/171-175,
268, 271; 601/141, 142**

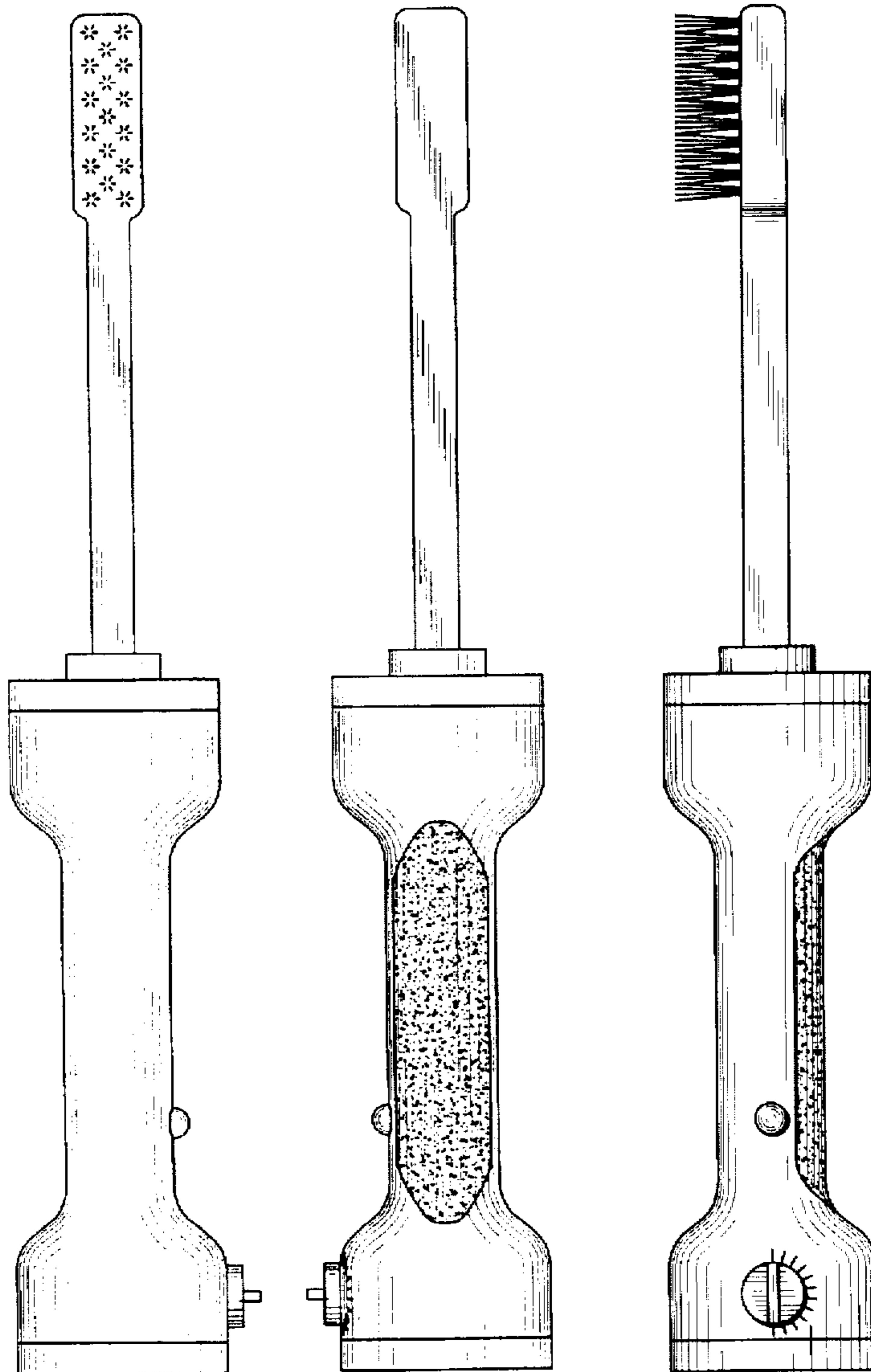
FIG. 1 is a front elevational view of a signaling powered
tooth brush showing my new design;
FIG. 2 is a rear elevational view thereof;
FIG. 3 is a left side elevational view thereof;
FIG. 4 is a right side elevational view thereof, with the knob
at the base of the handle shown in an alternate position;
FIG. 5 is an enlarged top plan view of FIG. 4; and
FIG. 6 is an enlarged bottom plan view of FIG. 4.

[56] **References Cited**

U.S. PATENT DOCUMENTS

3,187,360 6/1965 Spohr 15/22.1
4,476,604 10/1984 White et al. 15/105

1 Claim, 3 Drawing Sheets



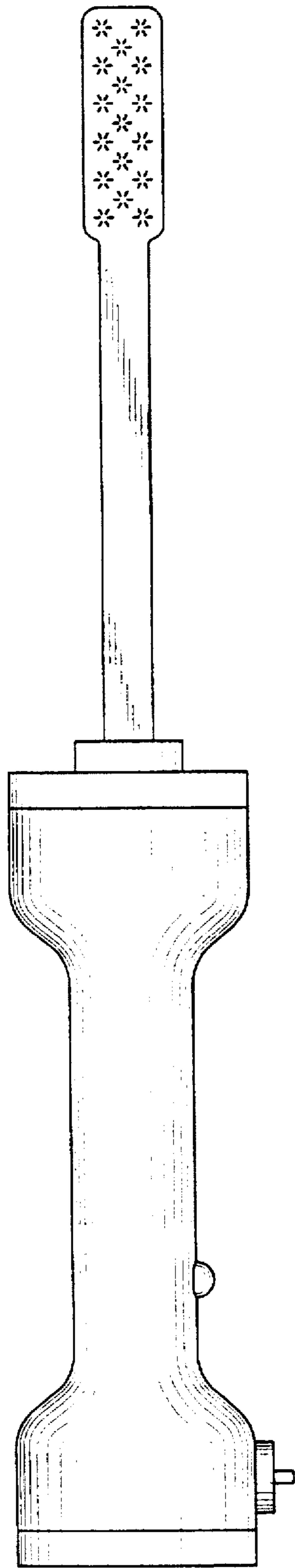


Fig. 1

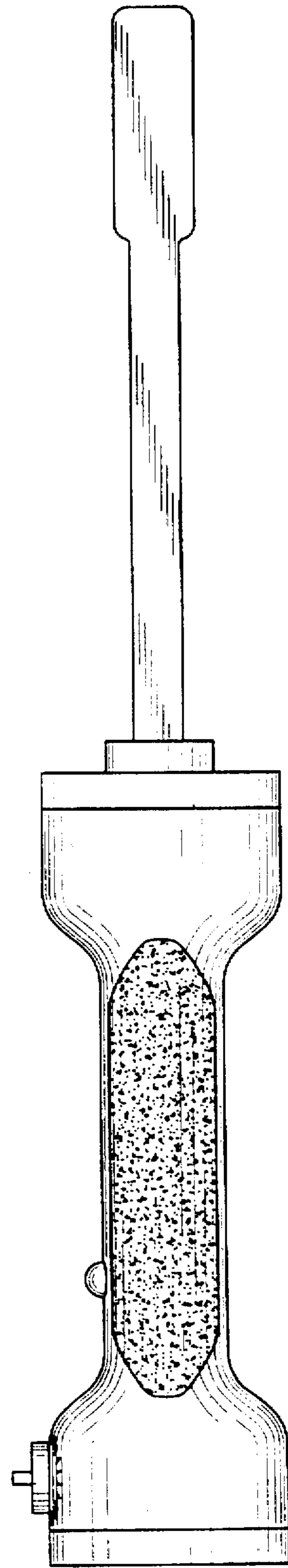


Fig. 2

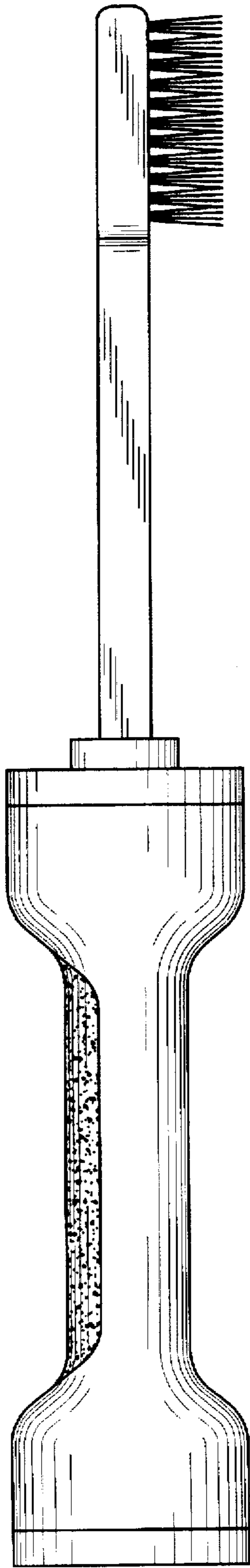


Fig. 3

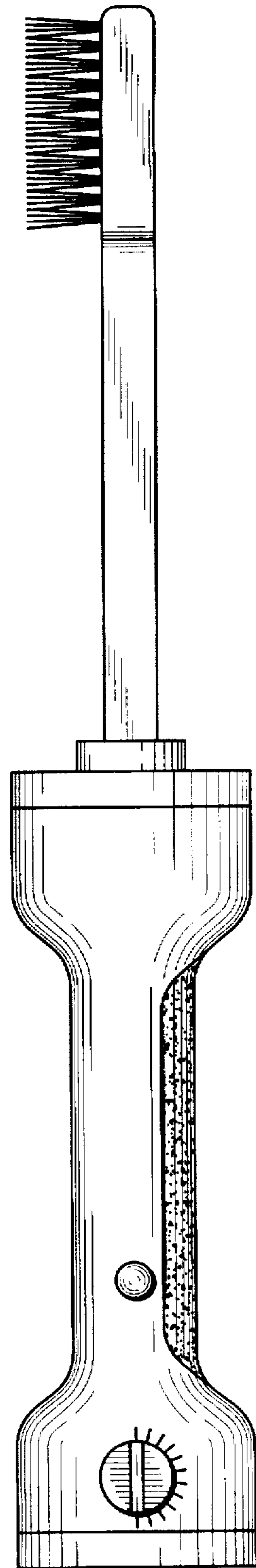


Fig. 4

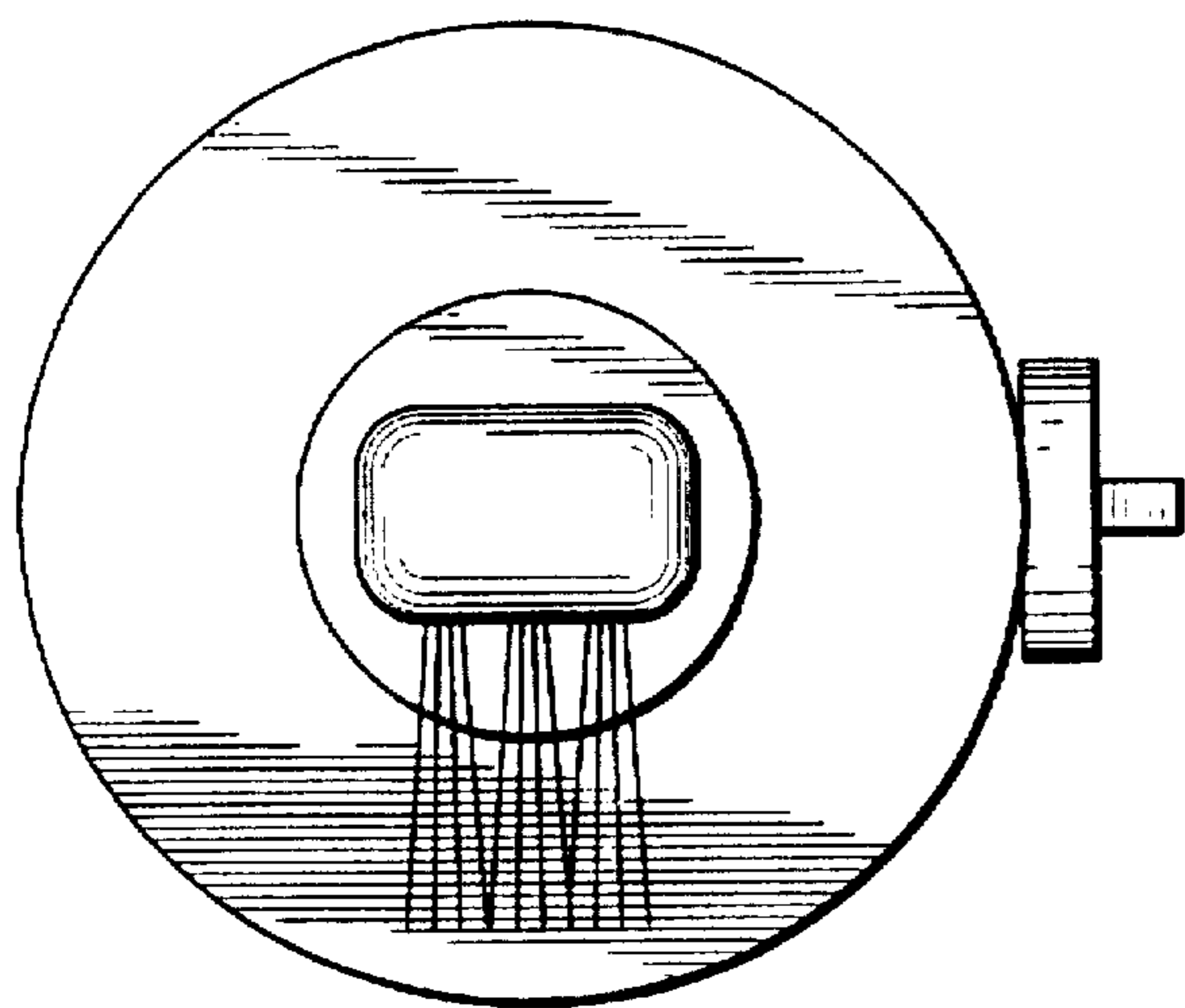


Fig. 5

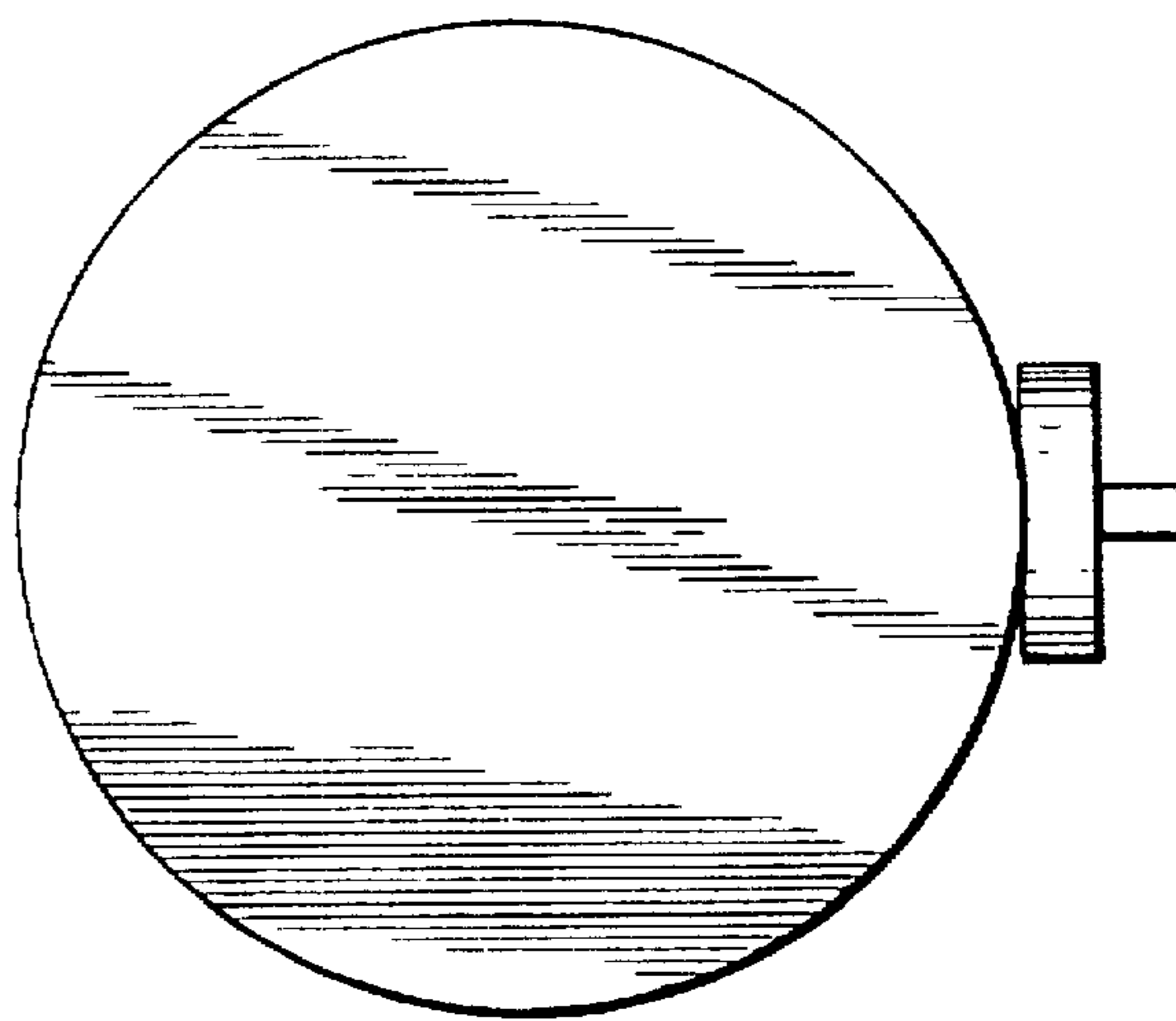


Fig. 6