

US00D391393S

**United States Patent** [19]  
**Chan**

[11] **Patent Number:** **Des. 391,393**  
[45] **Date of Patent:** **\*\*Mar. 3, 1998**

[54] **CONTAINER WITH TIE TAMERS**  
[75] **Inventor:** **Chik Sum Chan**, Hong Kong, Hong Kong  
[73] **Assignee:** **Kado Industrial Company Limited**, Hong Kong, Hong Kong  
[\*\*] **Term:** **14 Years**  
[21] **Appl. No.:** **68,747**  
[22] **Filed:** **Mar. 31, 1997**

[30] **Foreign Application Priority Data**  
Jan. 14, 1997 [GB] United Kingdom ..... 2062393  
[51] **LOC (6) Cl.** ..... **03-01**  
[52] **U.S. Cl.** ..... **D3/201; D9/423**  
[58] **Field of Search** ..... D9/422, 423, 424, D9/341, 347, 337, 414; 206/278.1, 279, 442, 278, 280, 282, 288-291, 300, 820, 806

[56] **References Cited**  
**U.S. PATENT DOCUMENTS**  
D. 370,627 6/1996 Clark ..... D9/423  
D. 375,458 11/1996 Drinnen ..... D9/423  
1,682,046 8/1928 Johnson ..... 206/280 X

2,659,643 11/1953 Friesz ..... 206/292 X  
4,646,951 3/1987 Gasser ..... 206/806 X  
4,779,720 10/1988 Mandelbaum ..... 206/285 X  
4,842,131 6/1989 Mandelbaum ..... 206/279 X  
4,863,020 9/1989 Klemow ..... 206/806 X  
5,505,351 4/1996 Najarian ..... 206/806 X

*Primary Examiner*—Prabhakar G. Deshmukh  
*Attorney, Agent, or Firm*—Reese Taylor

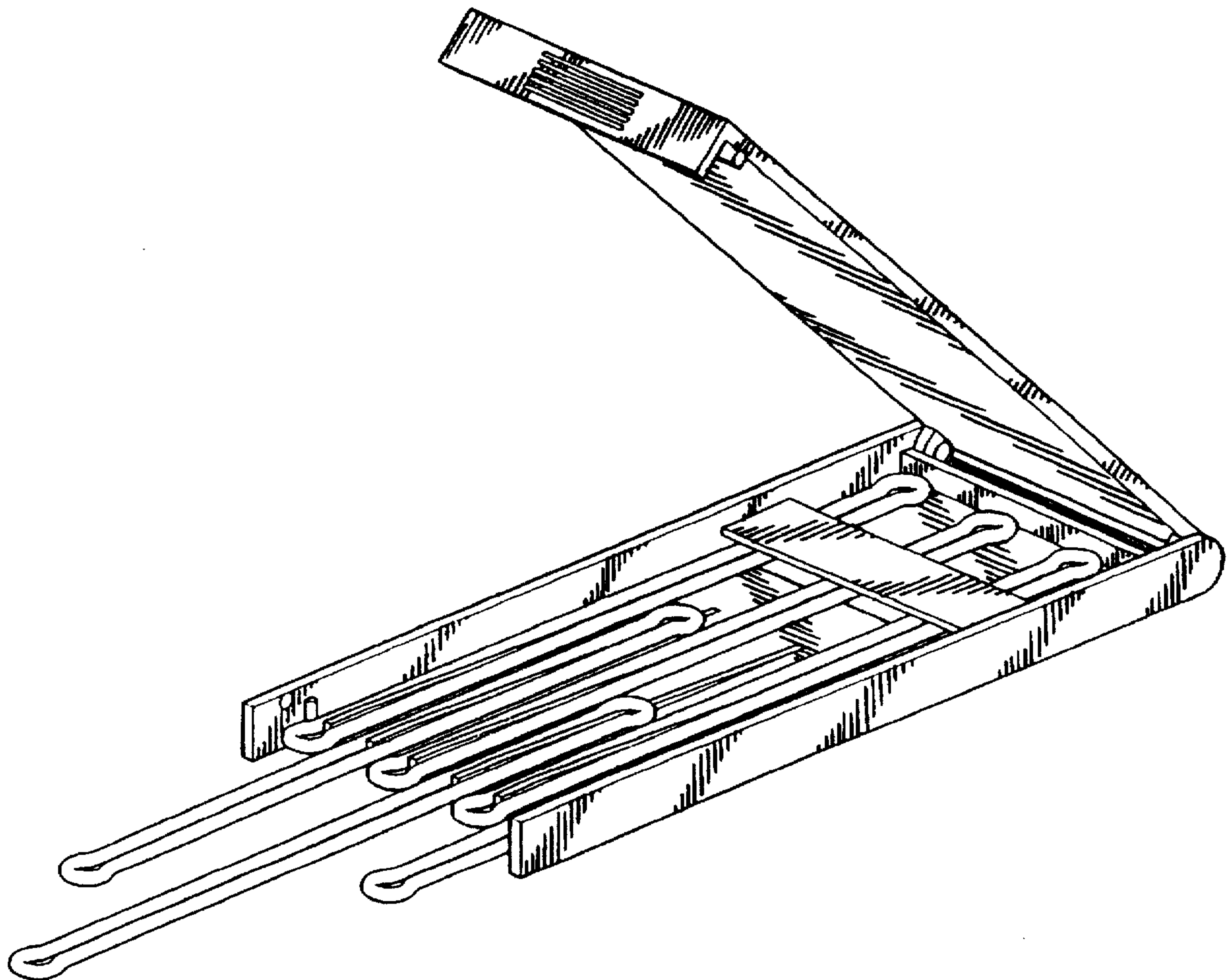
[57] **CLAIM**

The ornamental design for a container with tie tamers, as shown and described.

**DESCRIPTION**

FIG. 1 is a perspective view showing my new design for a container with tie tamers in the closed position; FIG. 2 is a perspective view thereof; in an open position; FIG. 3 is a top plan view thereof; FIG. 4 is a side elevational view taken from the left side of FIG. 3, the opposed side being a mirror image thereof; FIG. 5 is an end view taken from the top of FIG. 3; FIG. 6 is an end view taken from the bottom of FIG. 3; FIG. 7 is a bottom plan view thereof; FIG. 8 is a side elevational view taken from the left of FIG. 7, the opposed side being a mirror image thereof; and, FIG. 9 is a perspective view similar to FIG. 2 showing the invention in the open position with the tie tamers extended.

**1 Claim, 5 Drawing Sheets**



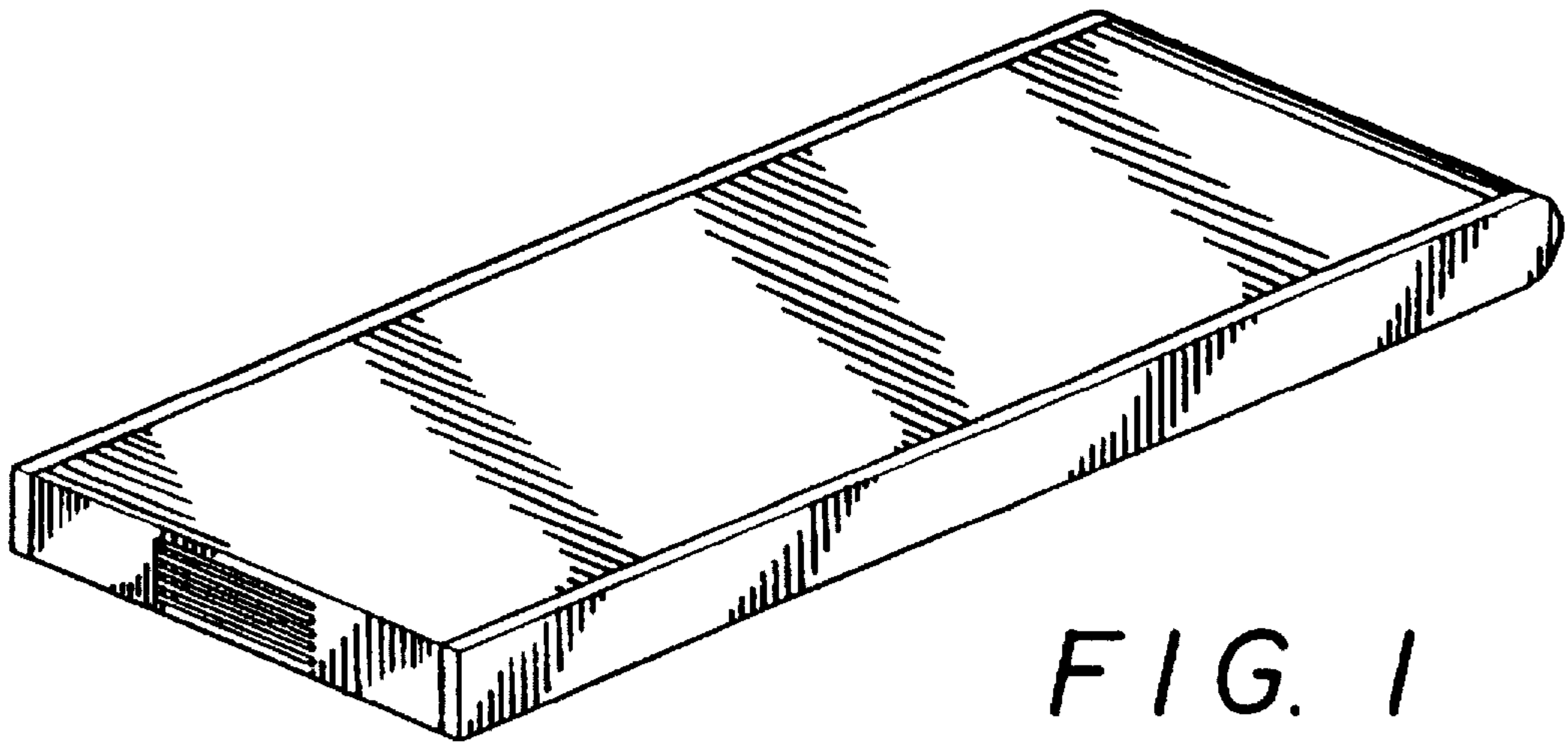


FIG. 1

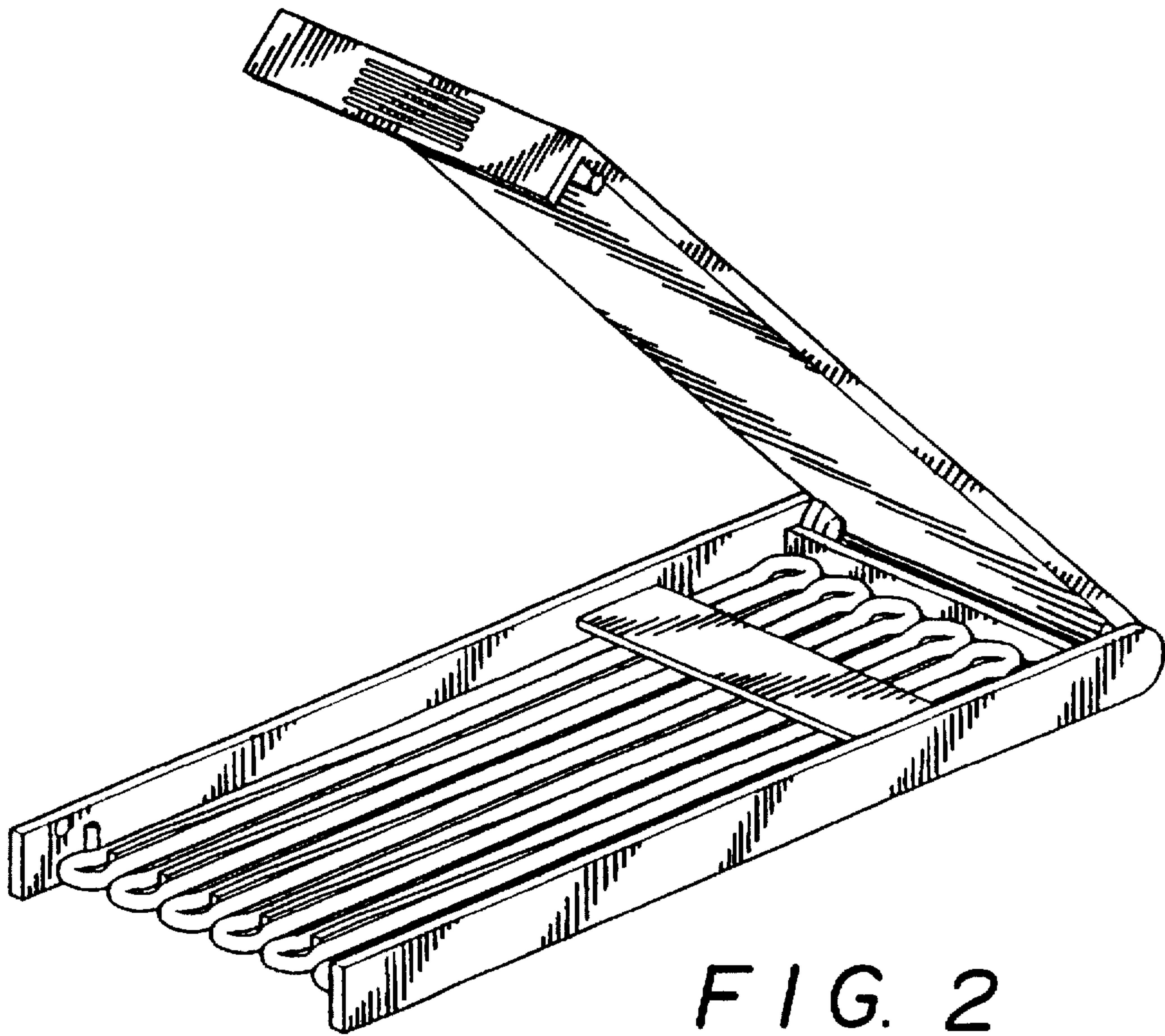


FIG. 2



FIG. 4

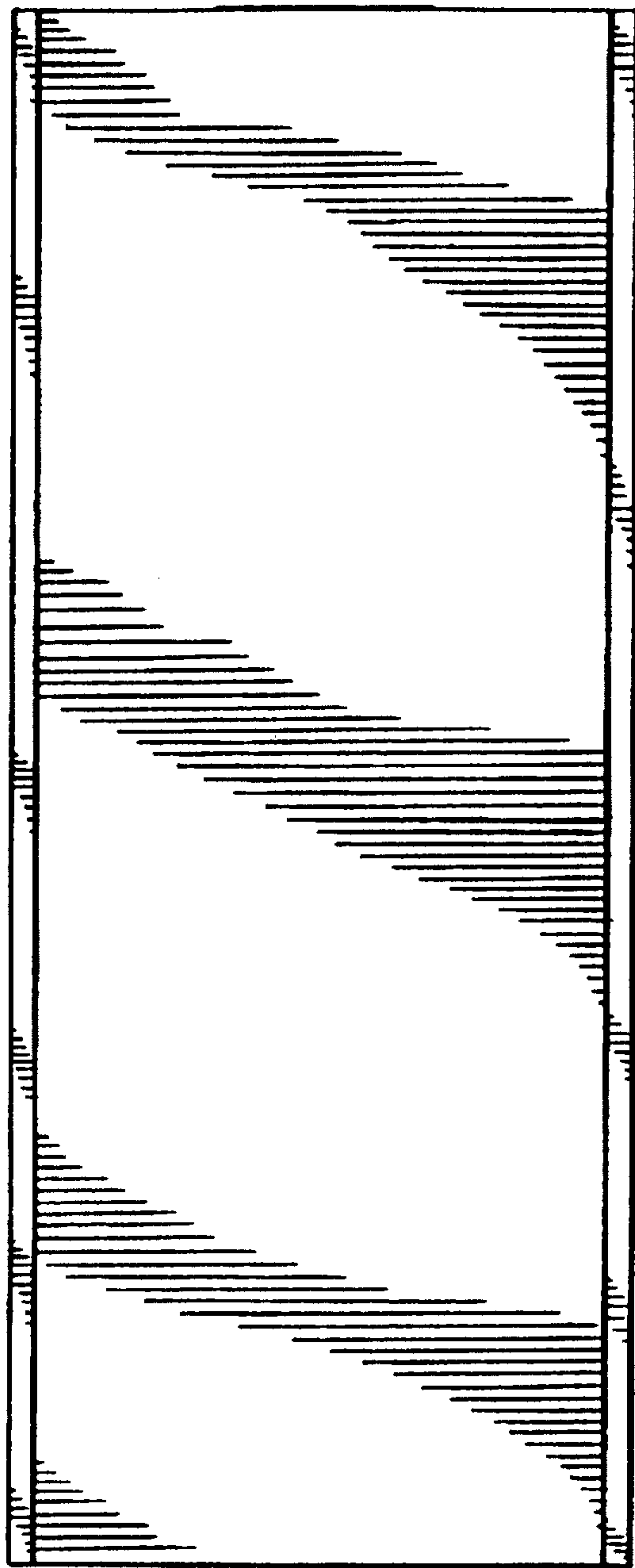


FIG. 3



FIG. 5

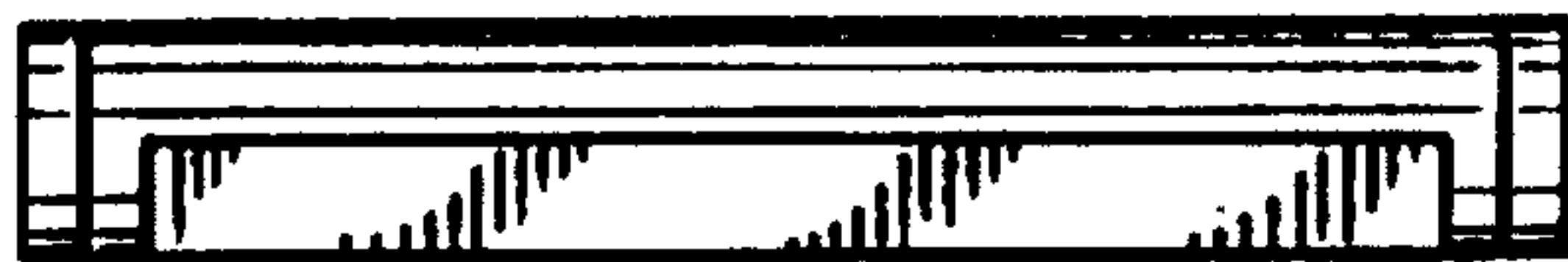


FIG. 6





FIG. 8

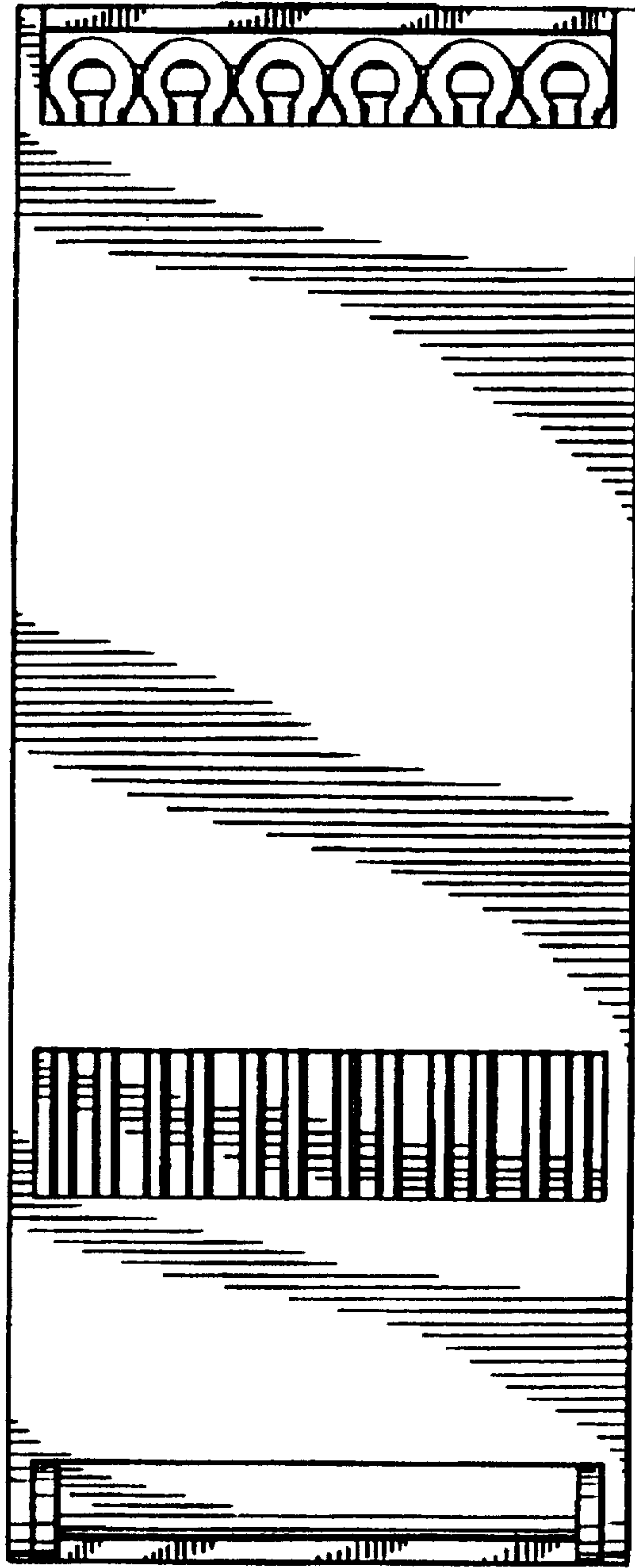


FIG. 7

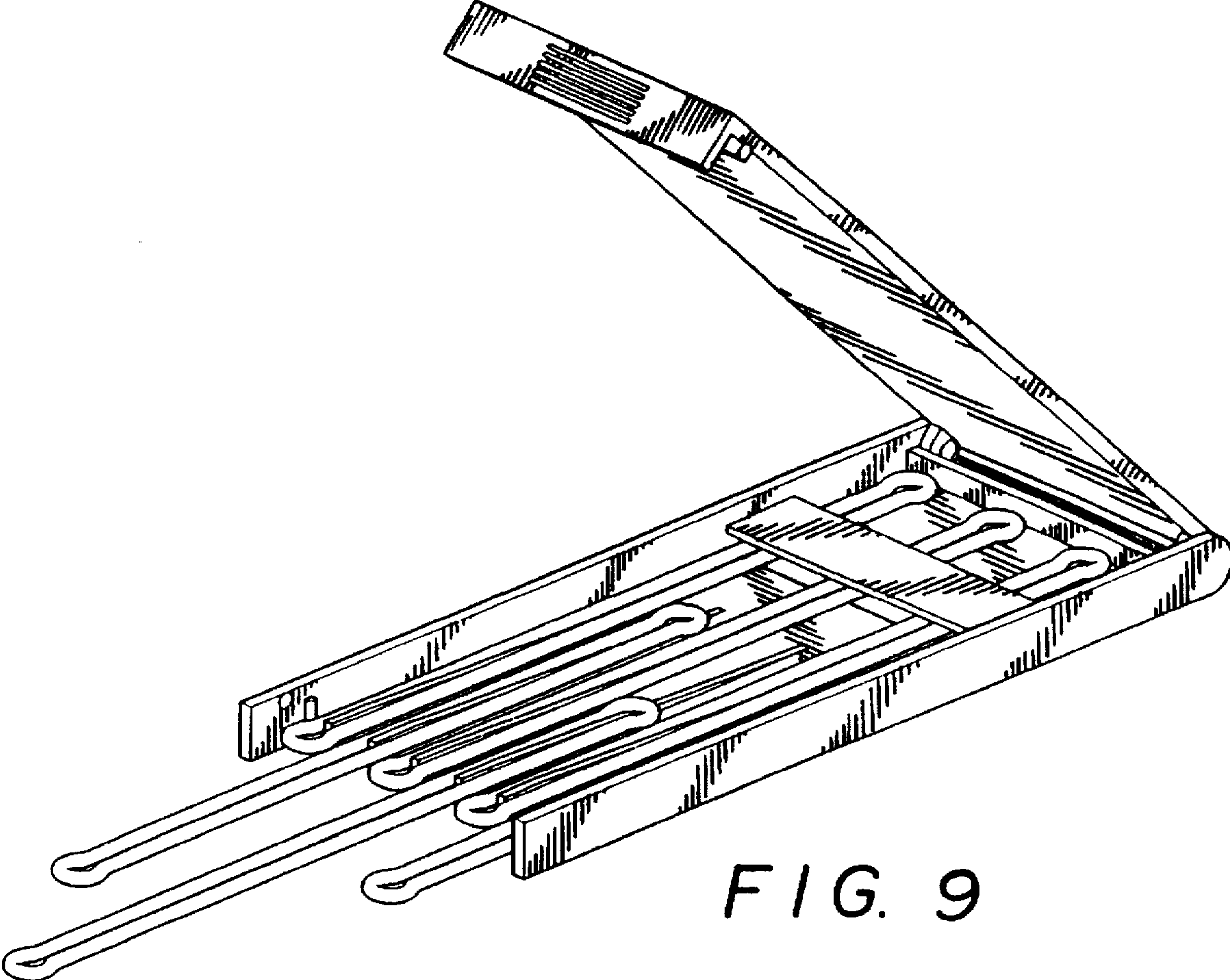


FIG. 9