

US00D391385S

**United States Patent** [19]  
**Steele**

[11] **Patent Number:** **Des. 391,385**  
[45] **Date of Patent:** **\*\*Mar. 3, 1998**

[54] **MEDICAL SUCKER**  
[76] **Inventor:** **Norma J. Steele, 136 Westhaven Dr.,  
Forest City, Iowa 50436-2209**  
[\*\*] **Term:** **14 Years**  
[21] **Appl. No.:** **70,832**  
[22] **Filed:** **May 16, 1997**  
[51] **LOC (6) Cl.** ..... **01-01**  
[52] **U.S. Cl.** ..... **D1/104; D24/195; D1/107**  
[58] **Field of Search** ..... **D1/107, 106, 102,  
D1/101, 103, 104, 127; 426/91, 104, 134;  
D24/194, 195; D21/63, 64, 65, 148, 159;  
362/104**

D. 180,327 5/1957 Herman ..... D1/104  
D. 277,880 3/1985 Paczko ..... D24/195 X  
D. 320,300 10/1991 Good et al. .... D1/104  
D. 329,524 9/1992 Bonilla ..... D1/107  
D. 335,198 5/1993 Straka ..... D1/104  
5,522,847 6/1996 Kalis et al. .... 362/104 X

*Primary Examiner*—Pamela J. Burgess

[57] **CLAIM**

The ornamental design for a medical sucker, as shown.

**DESCRIPTION**

FIG. 1 is a front elevational view of a medical sucker showing my new design;  
FIG. 2 is a rear elevational view thereof;  
FIG. 3 is a left side elevational view thereof;  
FIG. 4 is a right side elevational view thereof;  
FIG. 5 is a top plan view thereof; and,  
FIG. 6 is a bottom plan view thereof.

[56] **References Cited**

**U.S. PATENT DOCUMENTS**

D. 62,611 7/1923 Hochstraser ..... D1/104  
D. 102,126 12/1936 Cook ..... D1/104  
D. 122,659 9/1940 Cox ..... D1/104

**1 Claim, 3 Drawing Sheets**

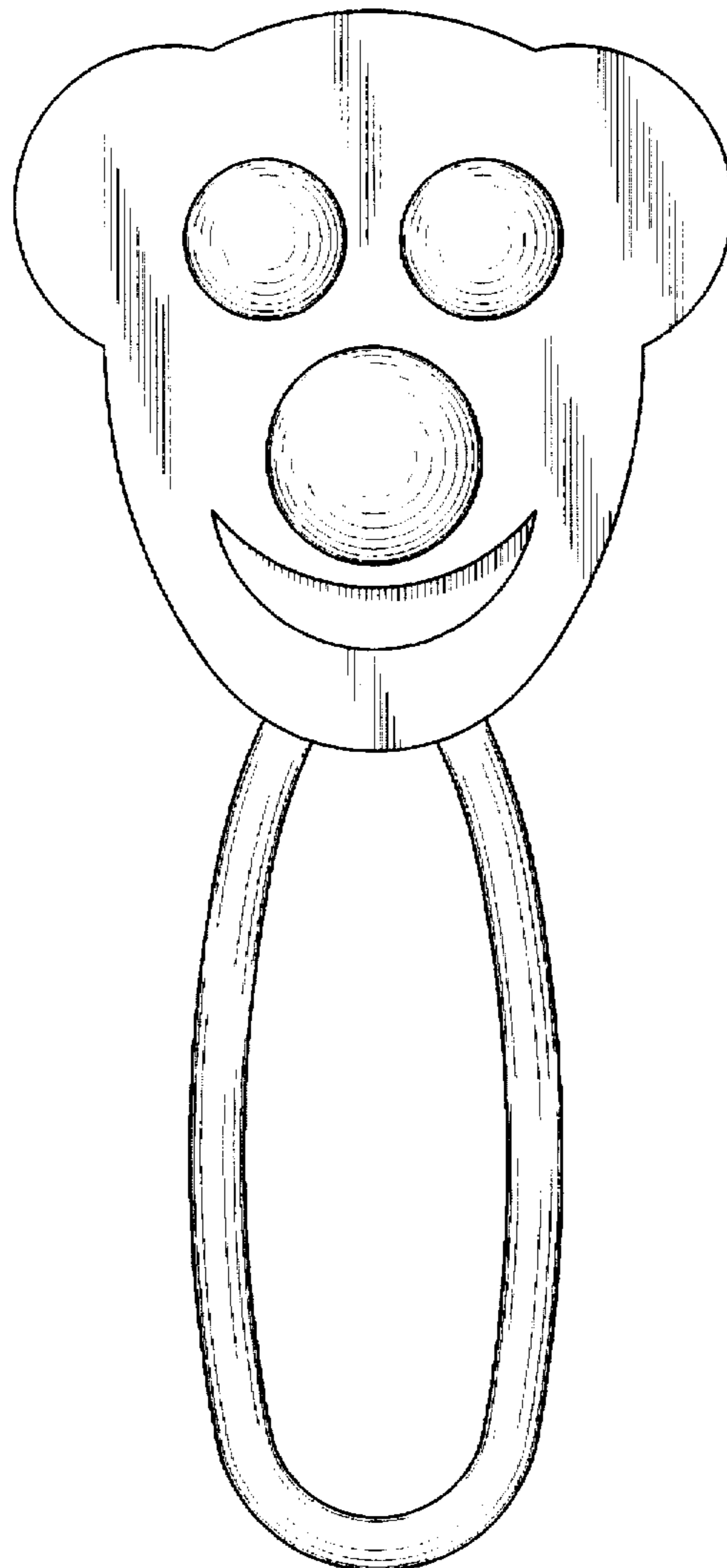


FIG. 1

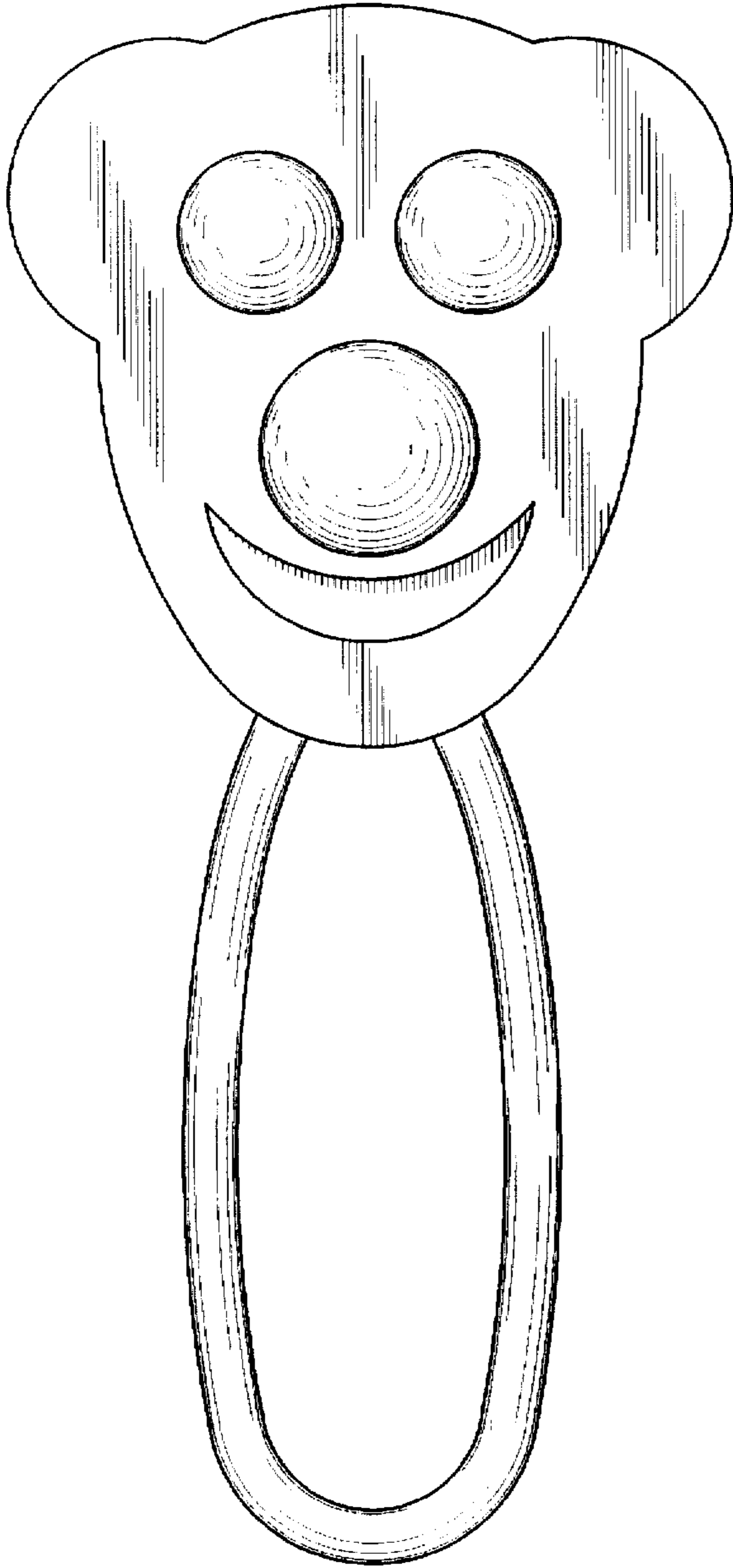
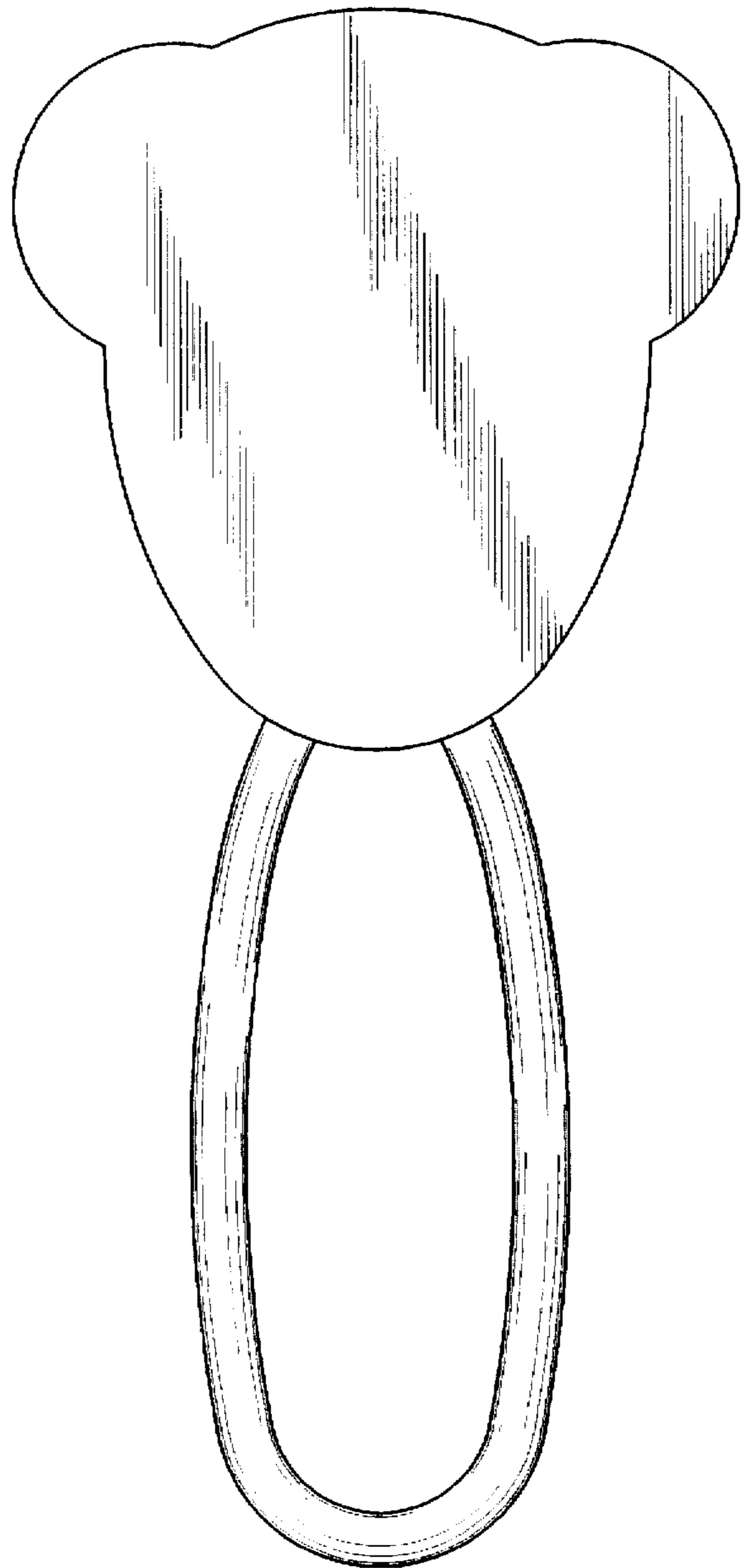
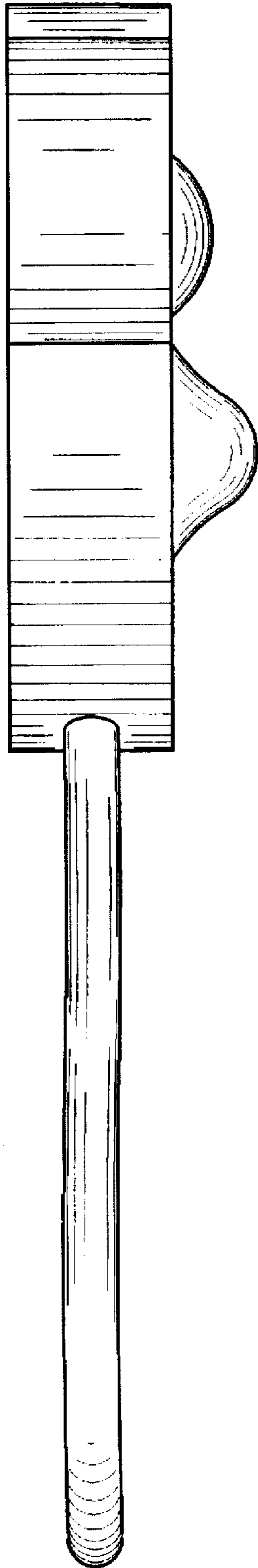


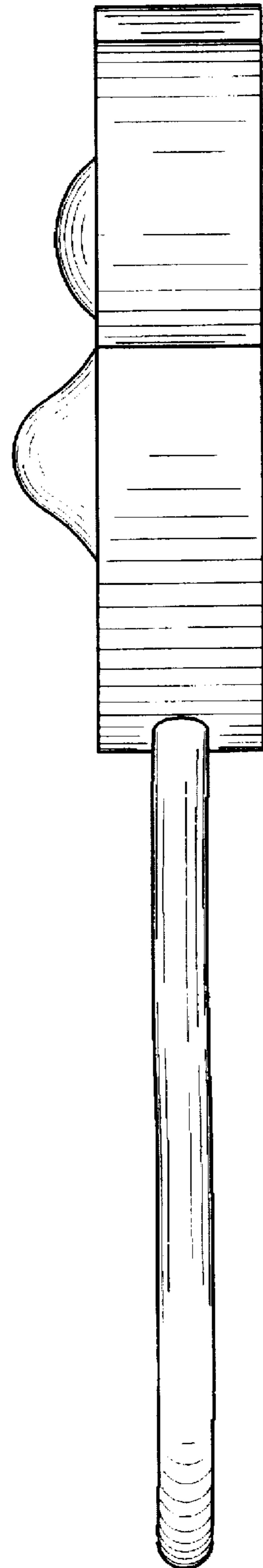
FIG. 2



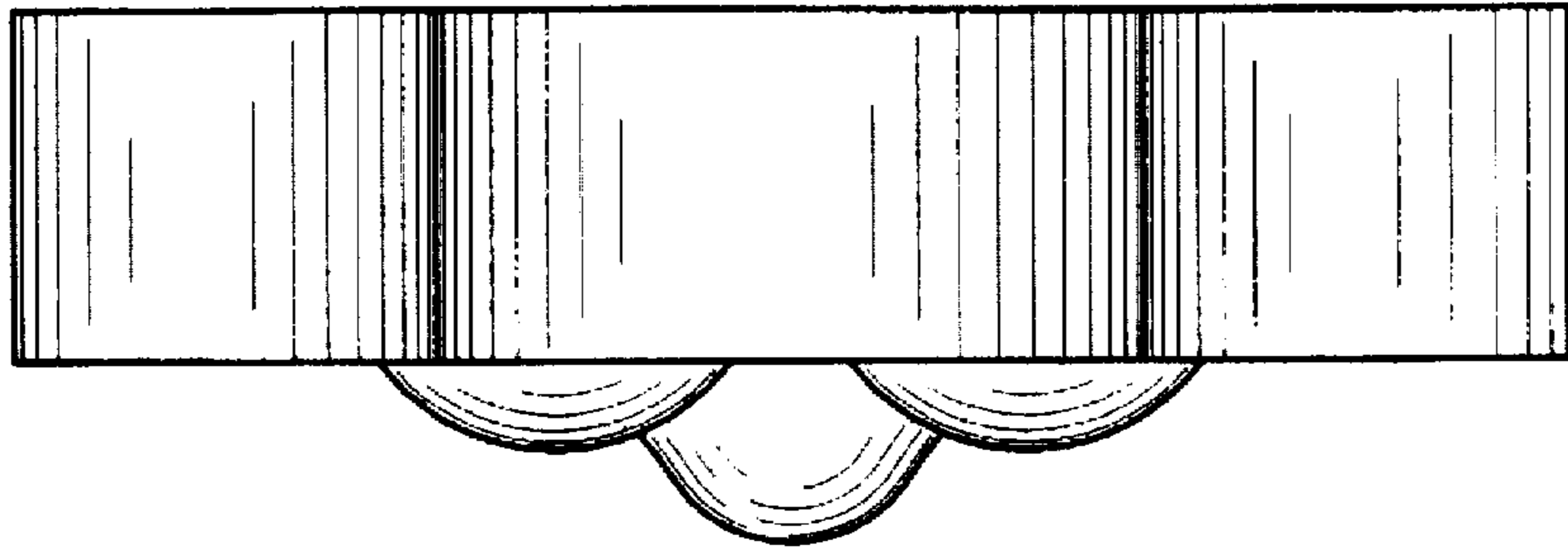
*FIG. 3*



*FIG. 4*



*FIG. 5*



*FIG. 6*

