



US00D391384S

United States Patent [19]

Lerch

[11] Patent Number: Des. 391,384

[45] Date of Patent: **Feb. 24, 1998

[54] SOLAR POWERED LIGHT

[75] Inventor: Philip Albert Lerch, Moorpark, Calif.

[73] Assignee: Alpan, Inc., Camarillo, Calif.

[**] Term: 14 Years

[21] Appl. No.: 61,315

[22] Filed: Oct. 21, 1996

[51] LOC (6) Cl. 26-05

[52] U.S. Cl. D26/67

[58] Field of Search 362/153, 153.1, 362/431, 183; D26/67, 68, 69, 70, 71

[56] References Cited

U.S. PATENT DOCUMENTS

D. 309,785	8/1990	Chien	D26/67
4,841,416	6/1989	Doss	362/183
4,999,060	3/1991	Szekely et al.	362/183 X
5,062,028	10/1991	Frost et al.	362/183

Primary Examiner—Susan J. Lucas
Attorney, Agent, or Firm—Ostrolenk, Faber, Gerb & Soffen, LLP

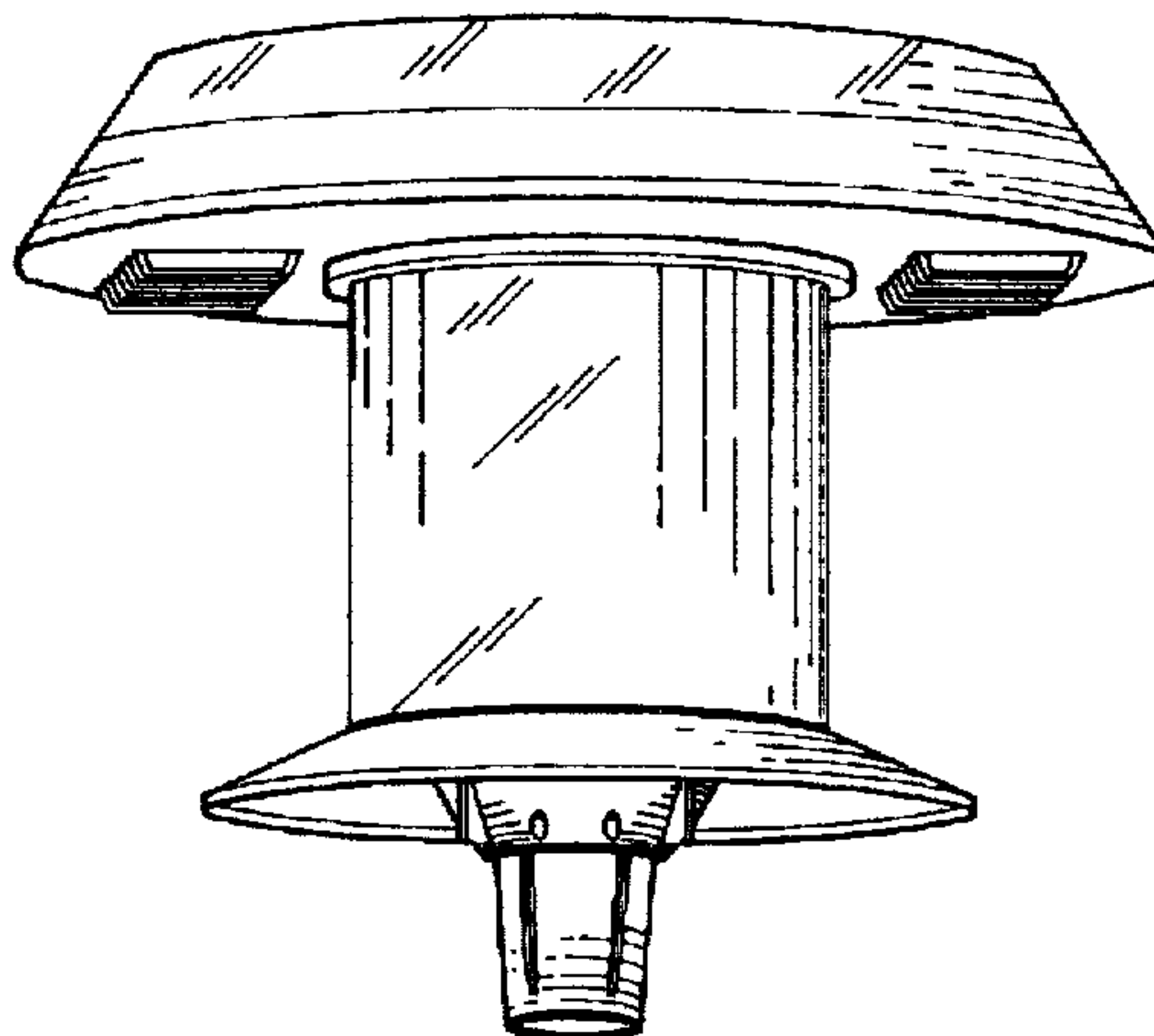
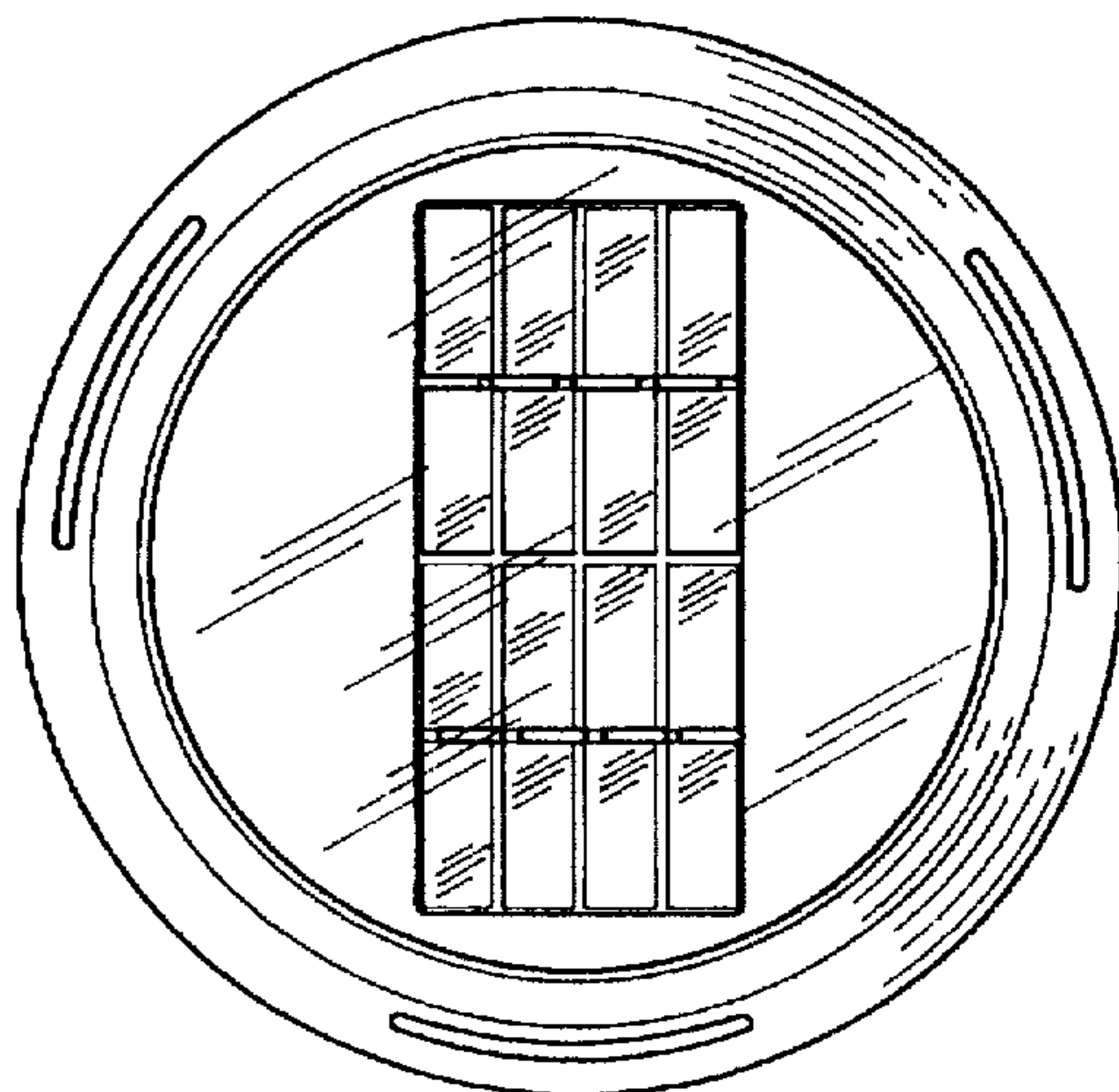
[57] CLAIM

The ornamental design for a solar powered light, as shown and described.

DESCRIPTION

FIG. 1 is a top plan view of a solar powered light showing my new design thereof;
 FIG. 2 is an elevational view of the claimed design;
 FIG. 3 is a bottom plan view of the claimed design;
 FIG. 4 is an elevational view of the claimed design rotated 90 degrees from the view shown in FIG. 2 ;
 FIG. 5 is a perspective view of the claimed design;
 FIG. 6 is a perspective view of a second embodiment of the solar powered light fixture, it being understood that the second embodiment differs from the first embodiment only by the omission of the slots in the sides of the top solar cell housing; and,
 FIG. 7 is a perspective view of a second embodiment of the solar powered light fixture, it being understood that the second embodiment differs from the first embodiment only by the omission of the slots in the sides of the top solar cell housing and by the smooth surface of the cylindrical diffuser.

1 Claim, 5 Drawing Sheets



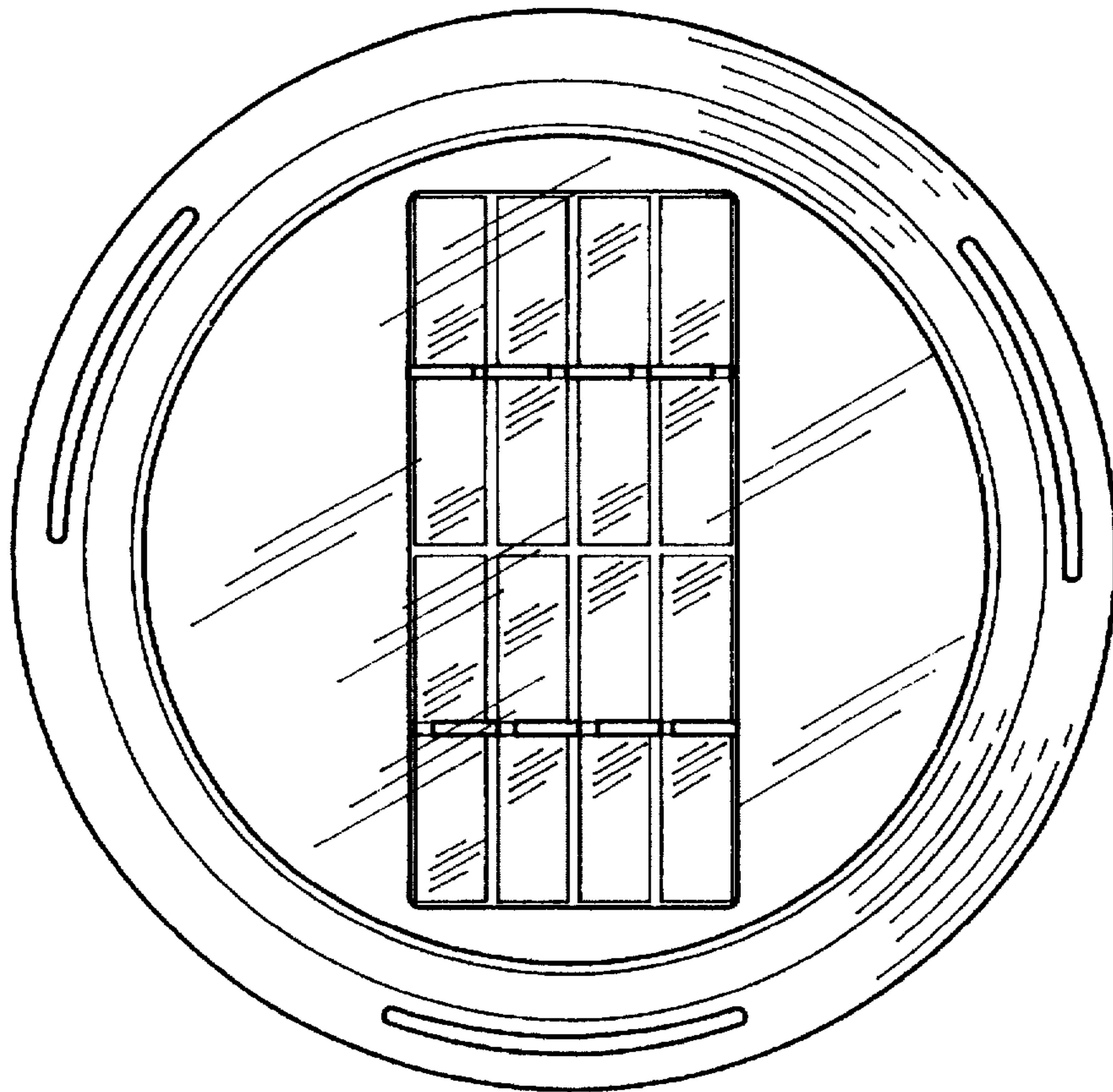


FIG. 1

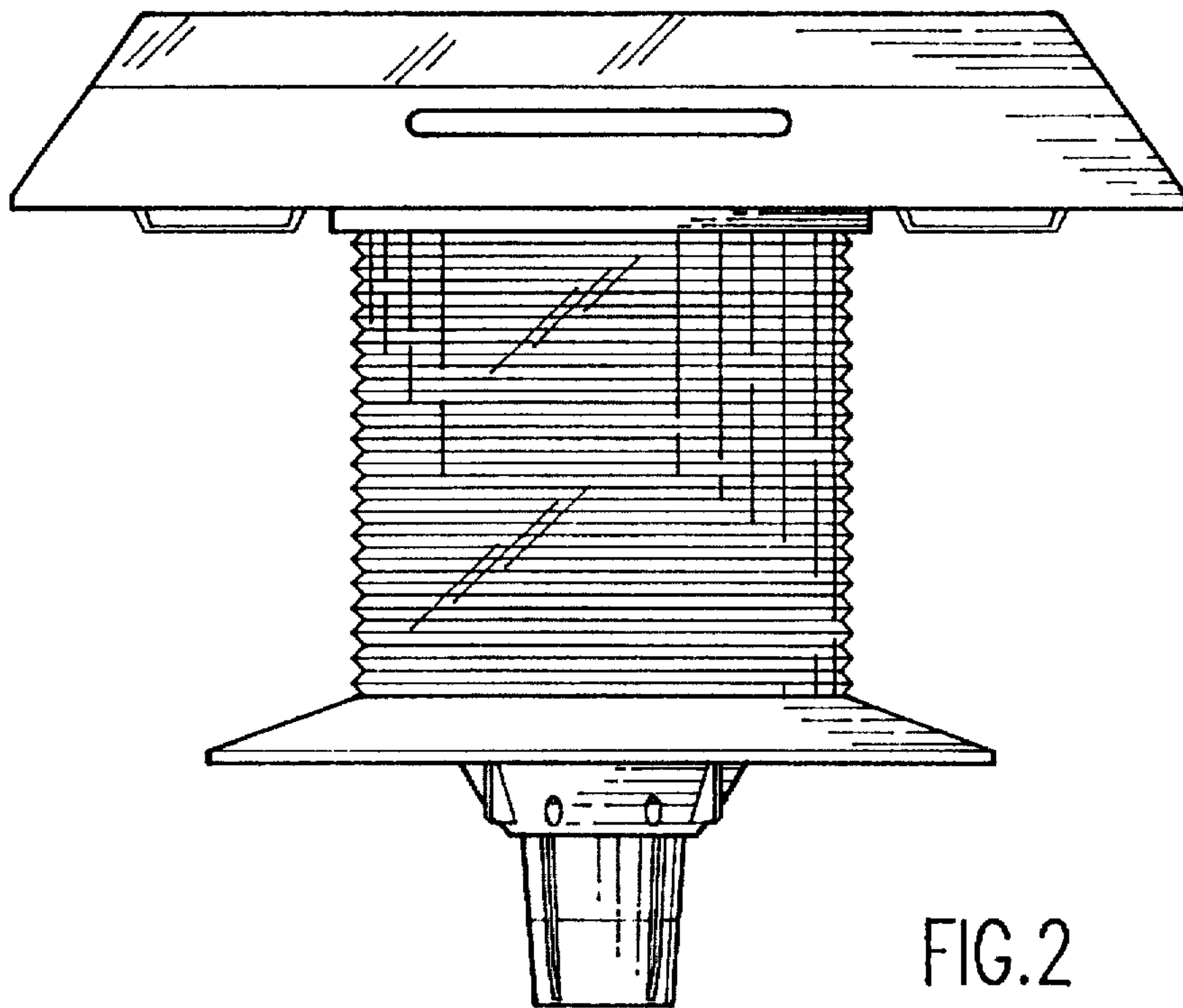


FIG. 2

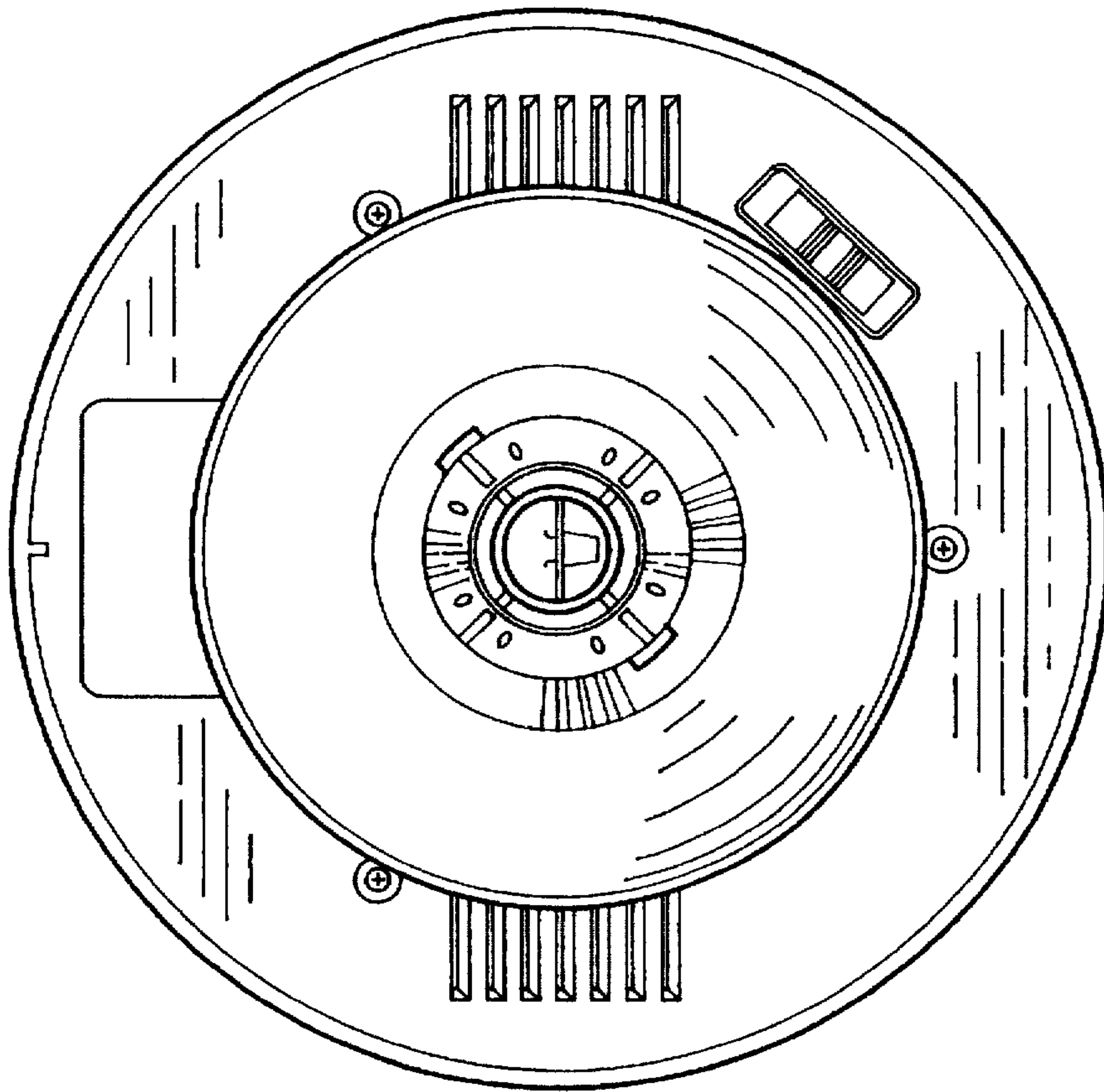


FIG.3

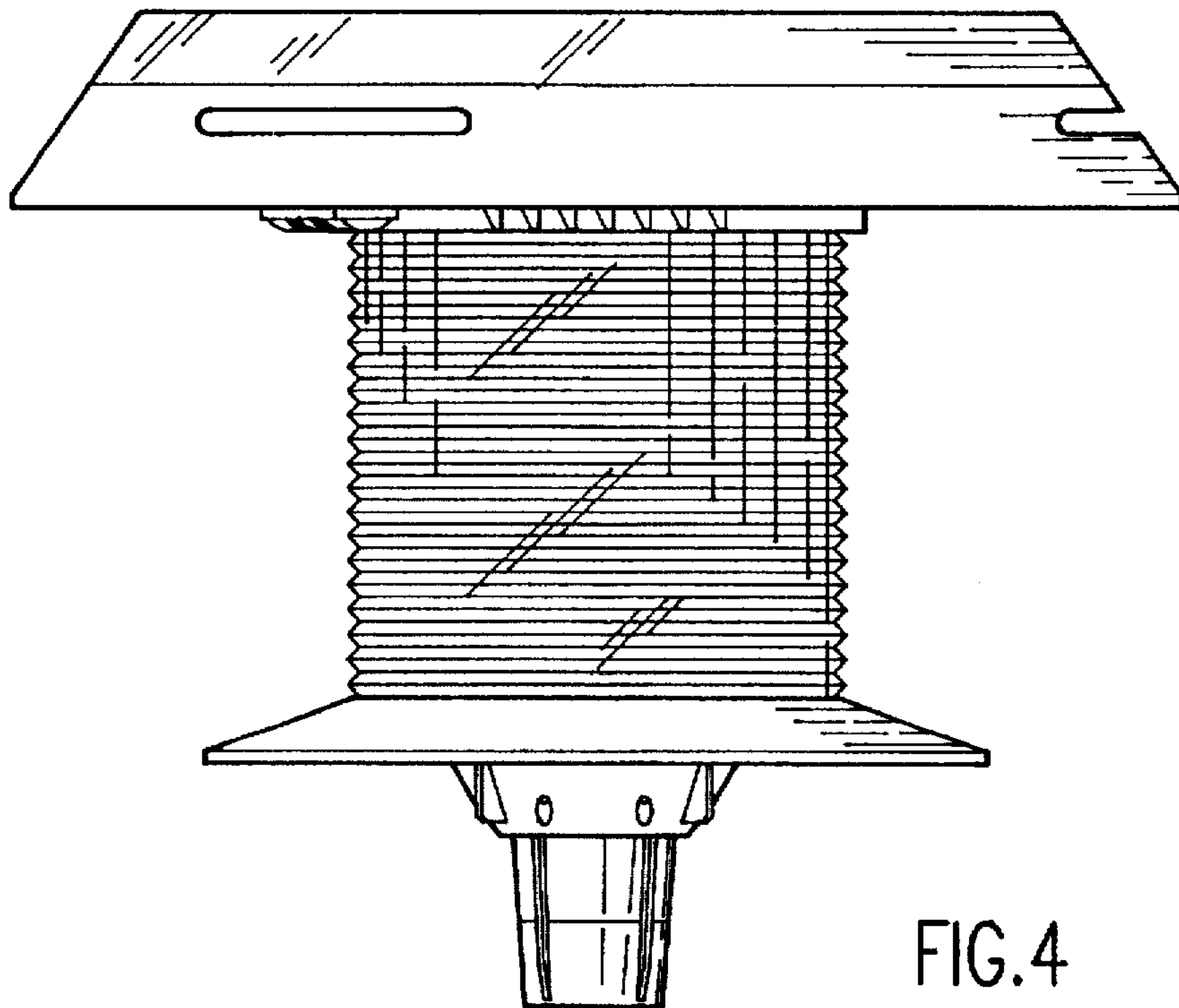


FIG.4

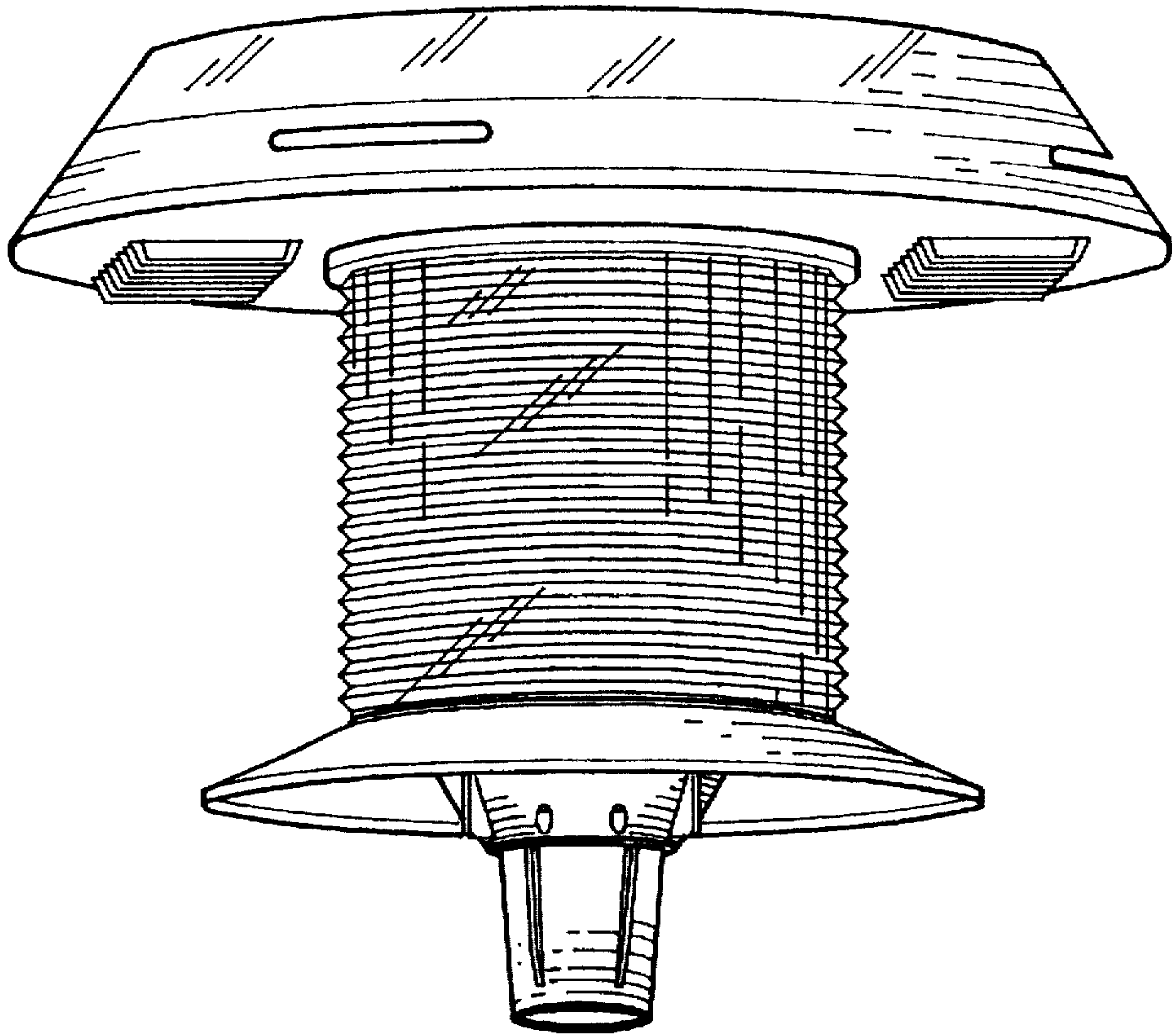


FIG.5

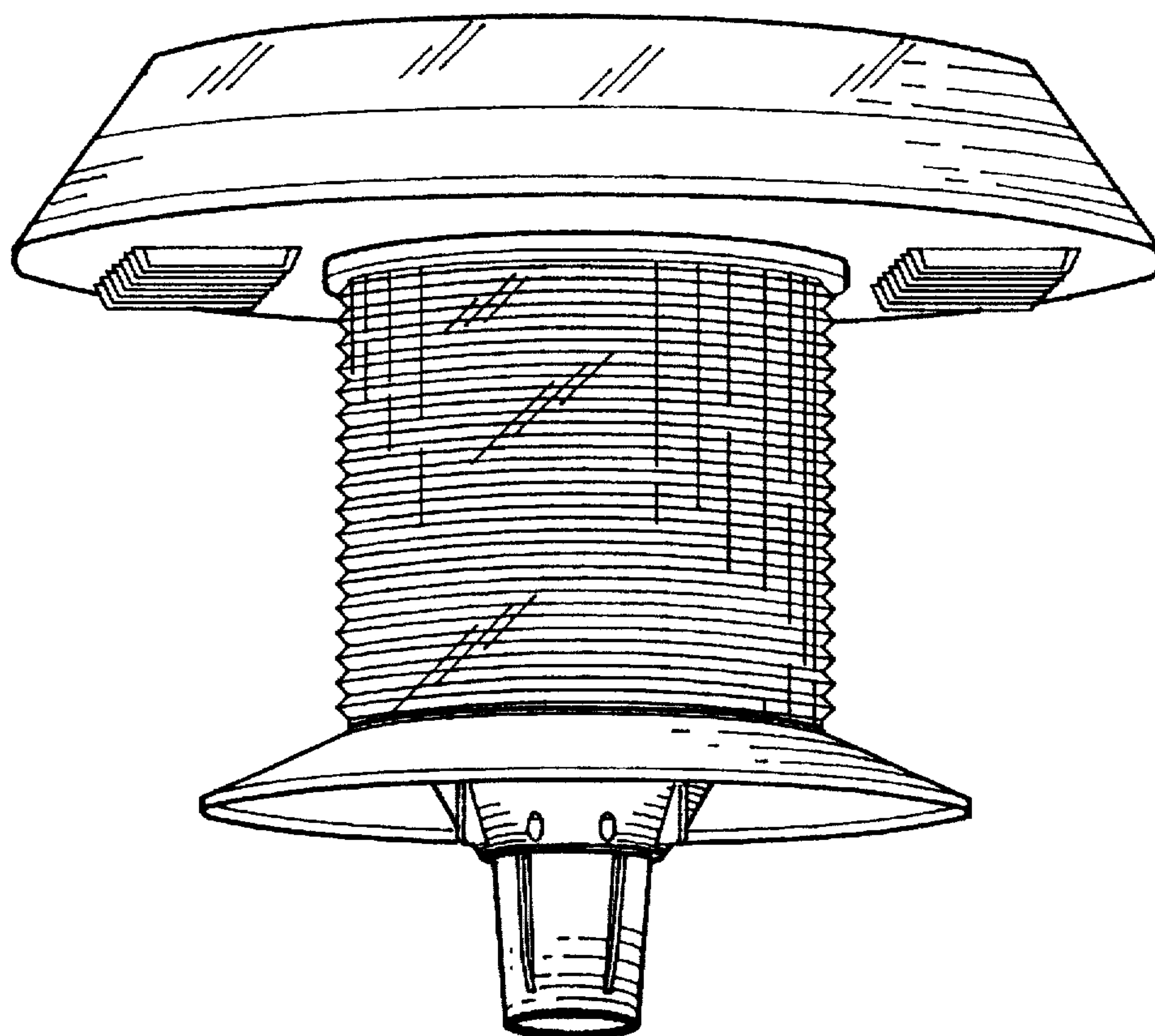


FIG. 6

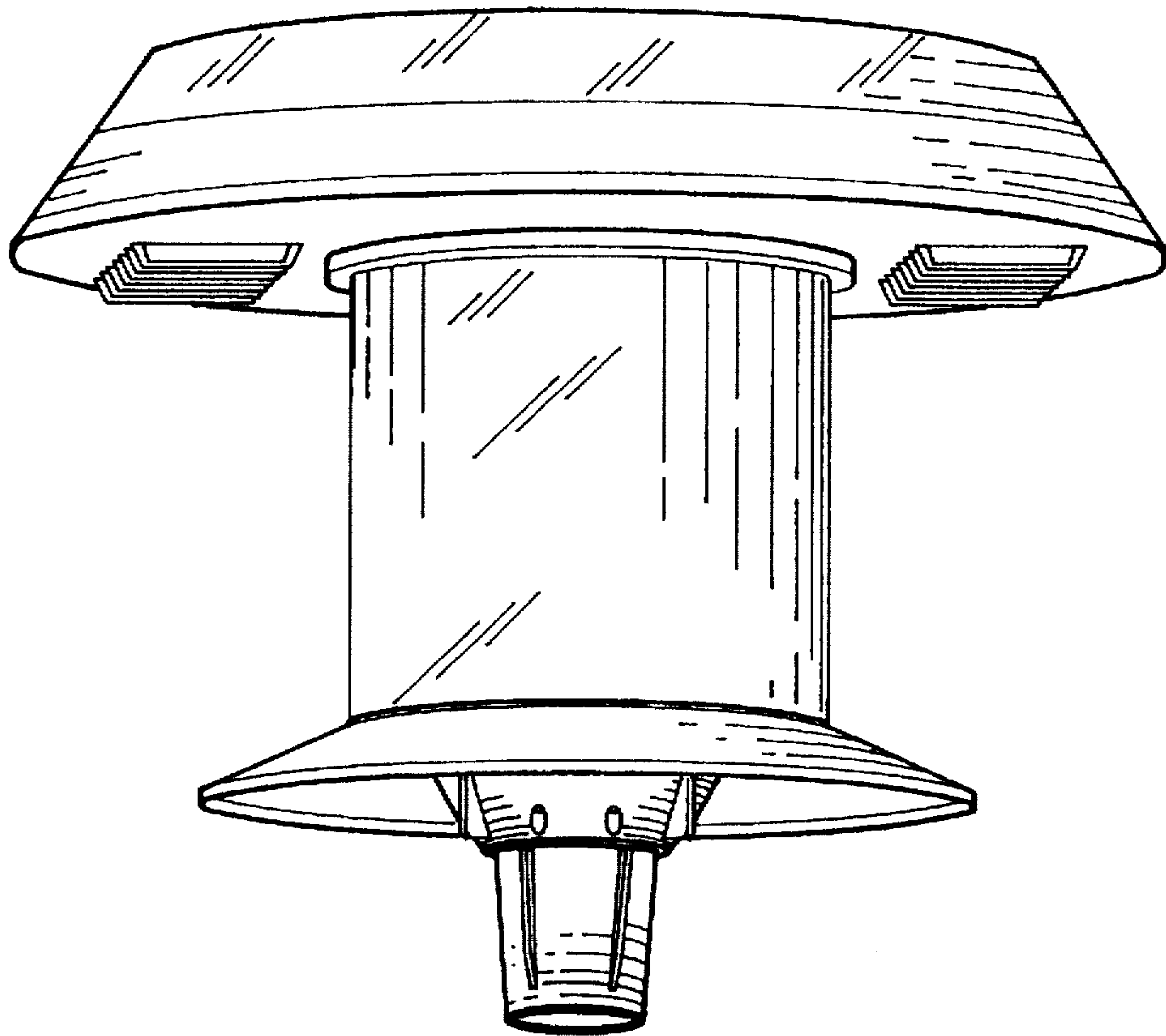


FIG.7