



US00D391381S

**United States Patent** [19]  
**Yang**

[11] **Patent Number: Des. 391,381**  
[45] **Date of Patent: \*\*Feb. 24, 1998**

[54] **CLIP LAMP**

[75] **Inventor: Roger Yang, Hsien, Taiwan**

[73] **Assignee: Be-Yang Industrial Corp., Hsien, Taiwan**

[\*\*] **Term: 14 Years**

[21] **Appl. No.: 69,263**

[22] **Filed: Mar. 20, 1997**

[51] **LOC (6) Cl. .... 26-05**

[52] **U.S. Cl. .... D26/60**

[58] **Field of Search ..... D26/60-66; 362/147, 362/267, 275, 287, 418, 419, 427, 396**

[56] **References Cited**

**U.S. PATENT DOCUMENTS**

- D. 376,865 12/1996 Chan ..... D26/60
- D. 377,226 1/1997 Shen ..... D26/60

**OTHER PUBLICATIONS**

- B. A. Pargh Spring and Summer catalog, p. 111, Tensor clip-on lamp, 1985.
- Home Lighting and Accessories, p. 72, lamp head for Union Square swing wall lamp, Feb. 1995.

*Primary Examiner*—Susan J. Lucas  
*Attorney, Agent, or Firm*—Lowe, Price, LeBlanc & Becker

[57] **CLAIM**

The ornamental design for a halogen clip lamp, as shown and described.

**DESCRIPTION**

FIG. 1 is a perspective view thereof;

FIG. 2 is a front view thereof;

FIG. 3 is a rear view thereof;

FIG. 4 is a right side view thereof;

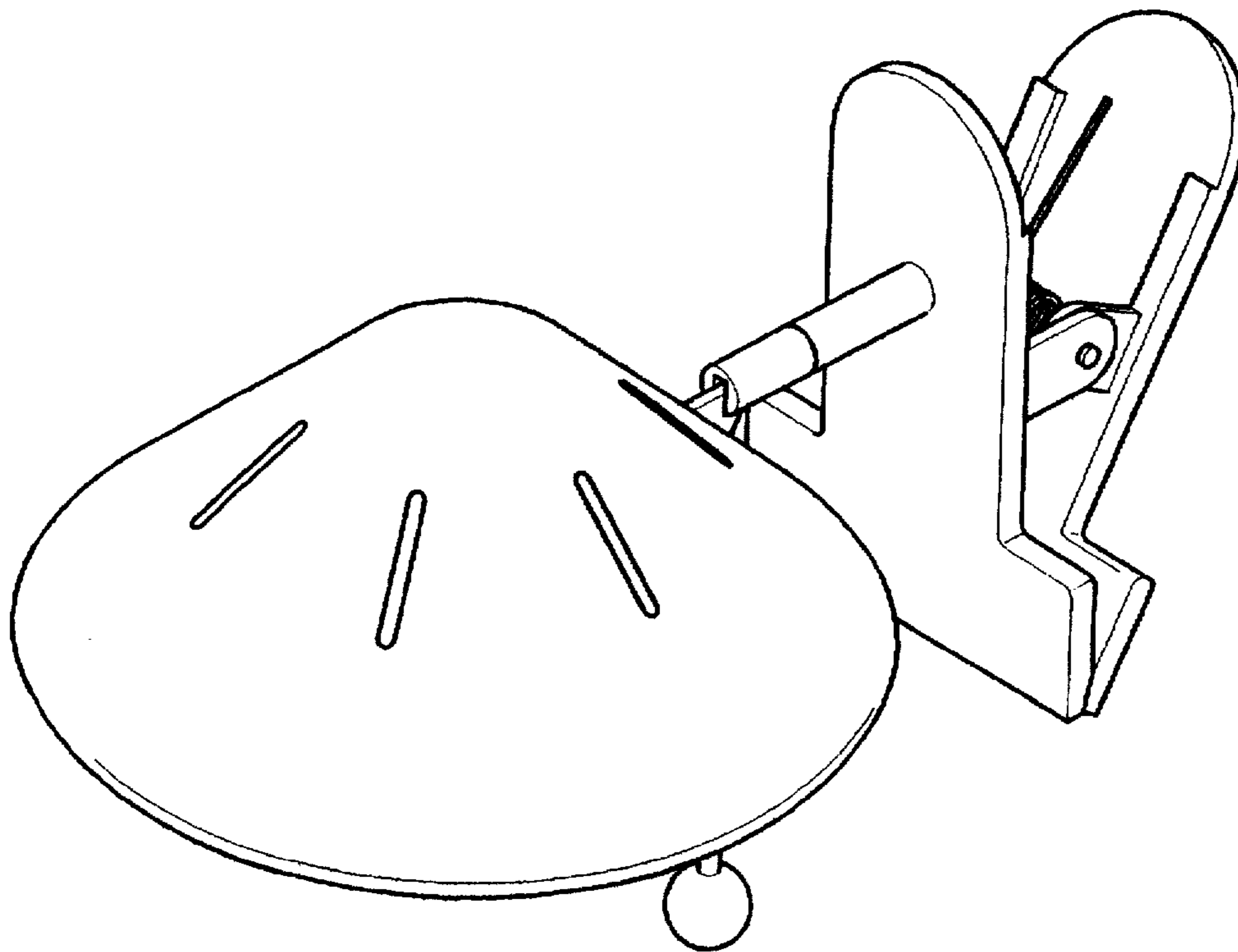
FIG. 5 is a left side view thereof;

FIG. 6 is a top view thereof;

FIG. 7 is a bottom view thereof; and,

FIG. 8 is a perspective view thereof, the shelving being shown in broken lines for illustrative purposes only and forming no part of the claimed design.

**1 Claim, 5 Drawing Sheets**



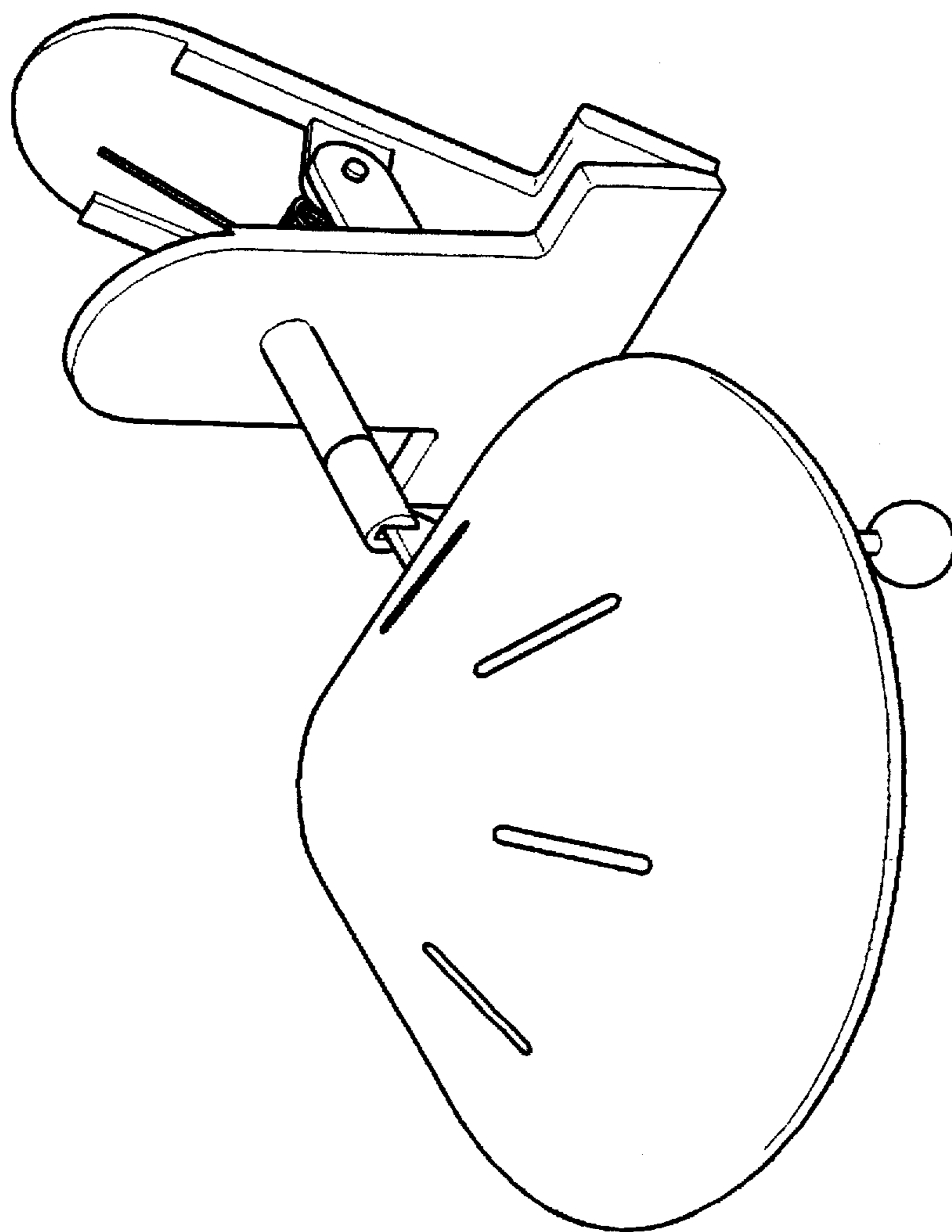


FIG. 1

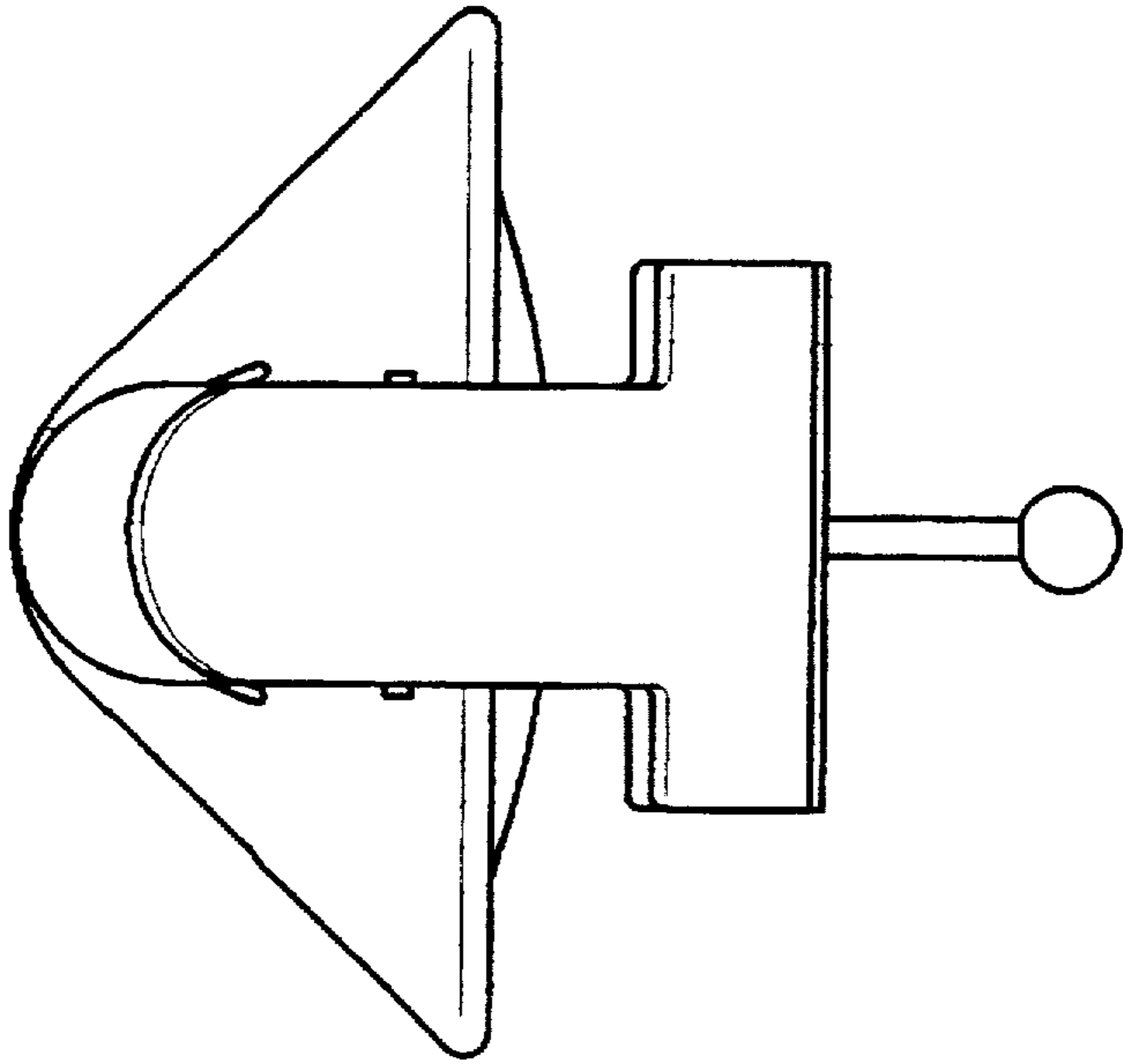


FIG. 3

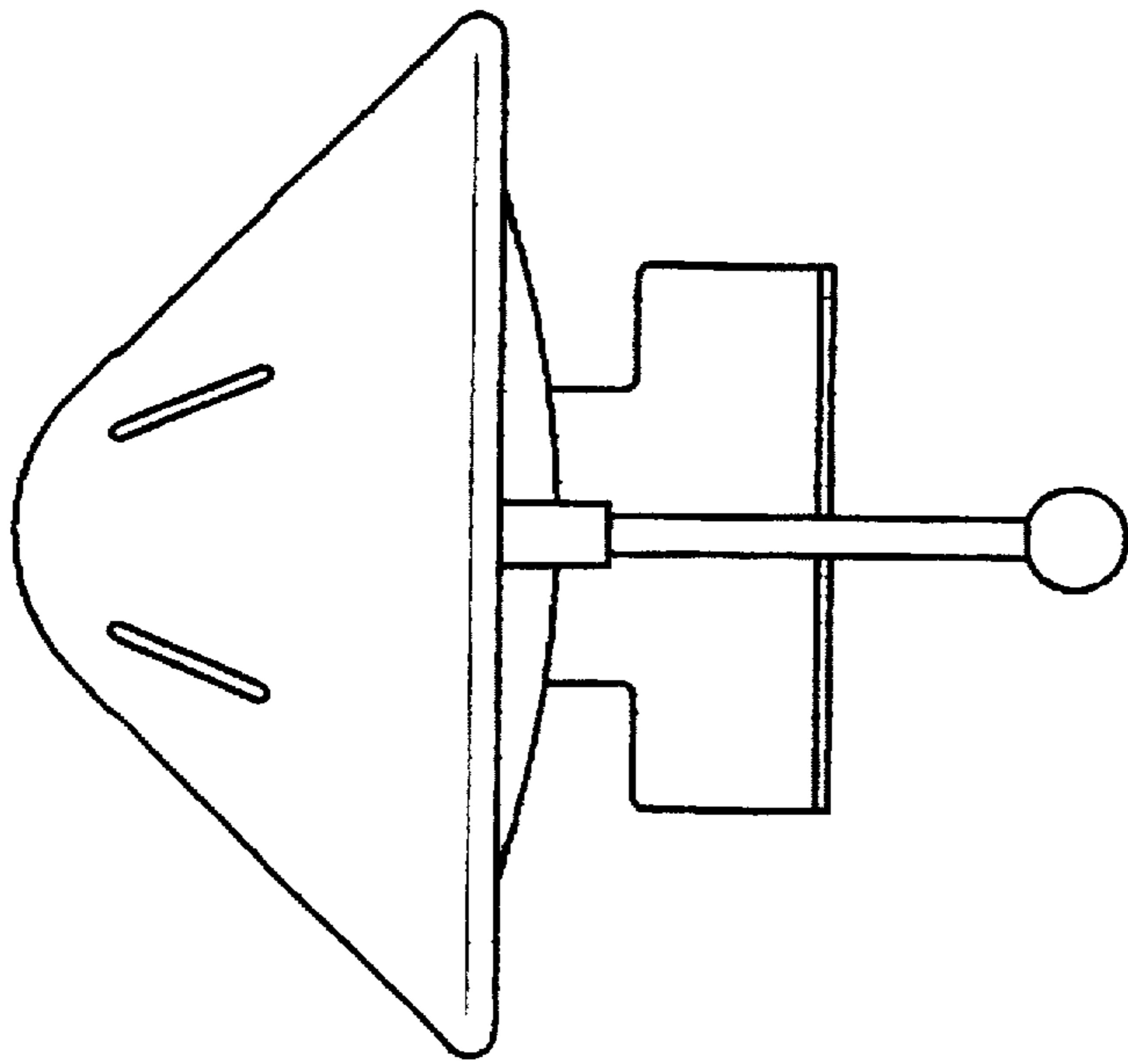


FIG. 2

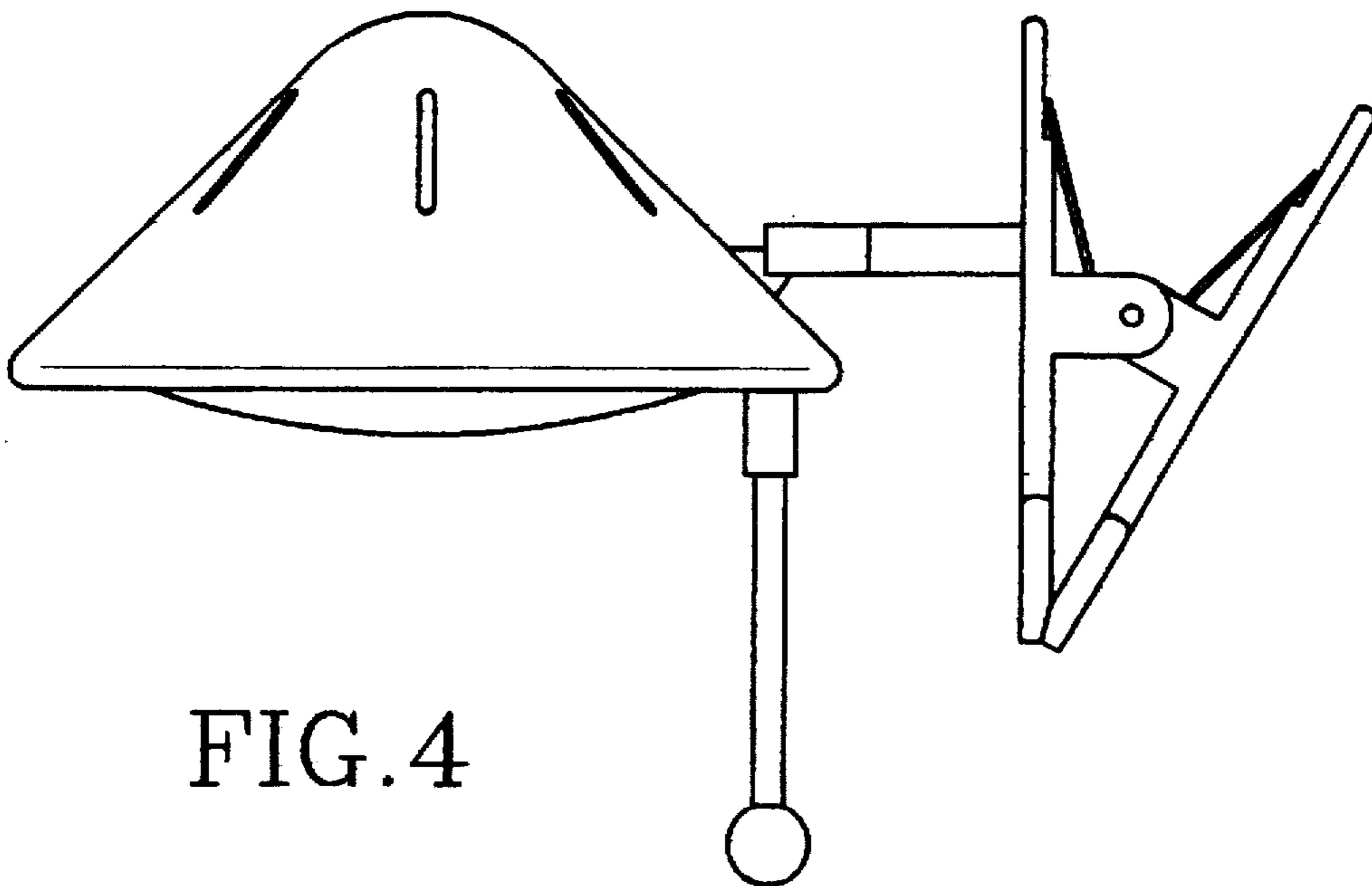


FIG. 4

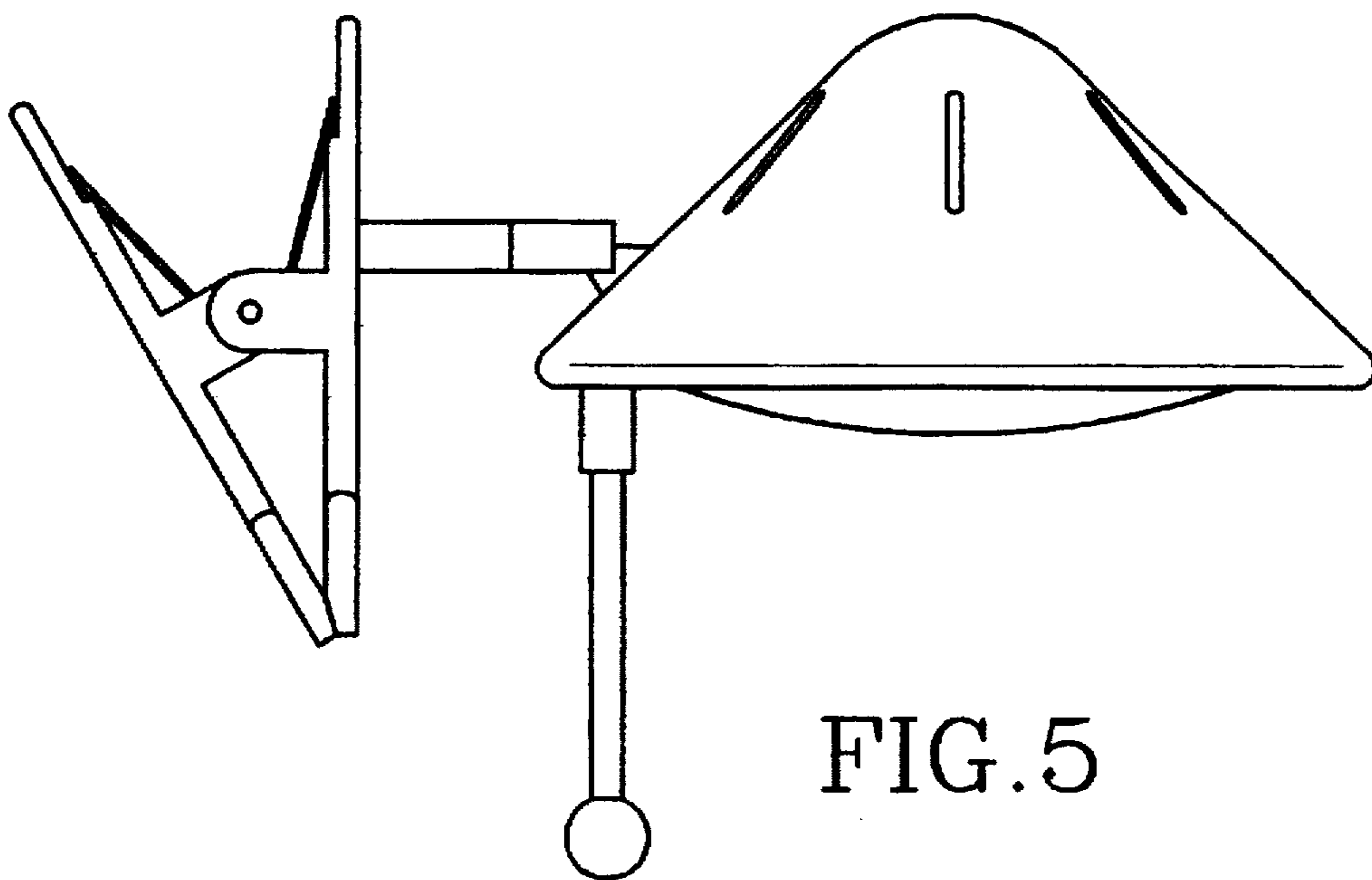


FIG. 5

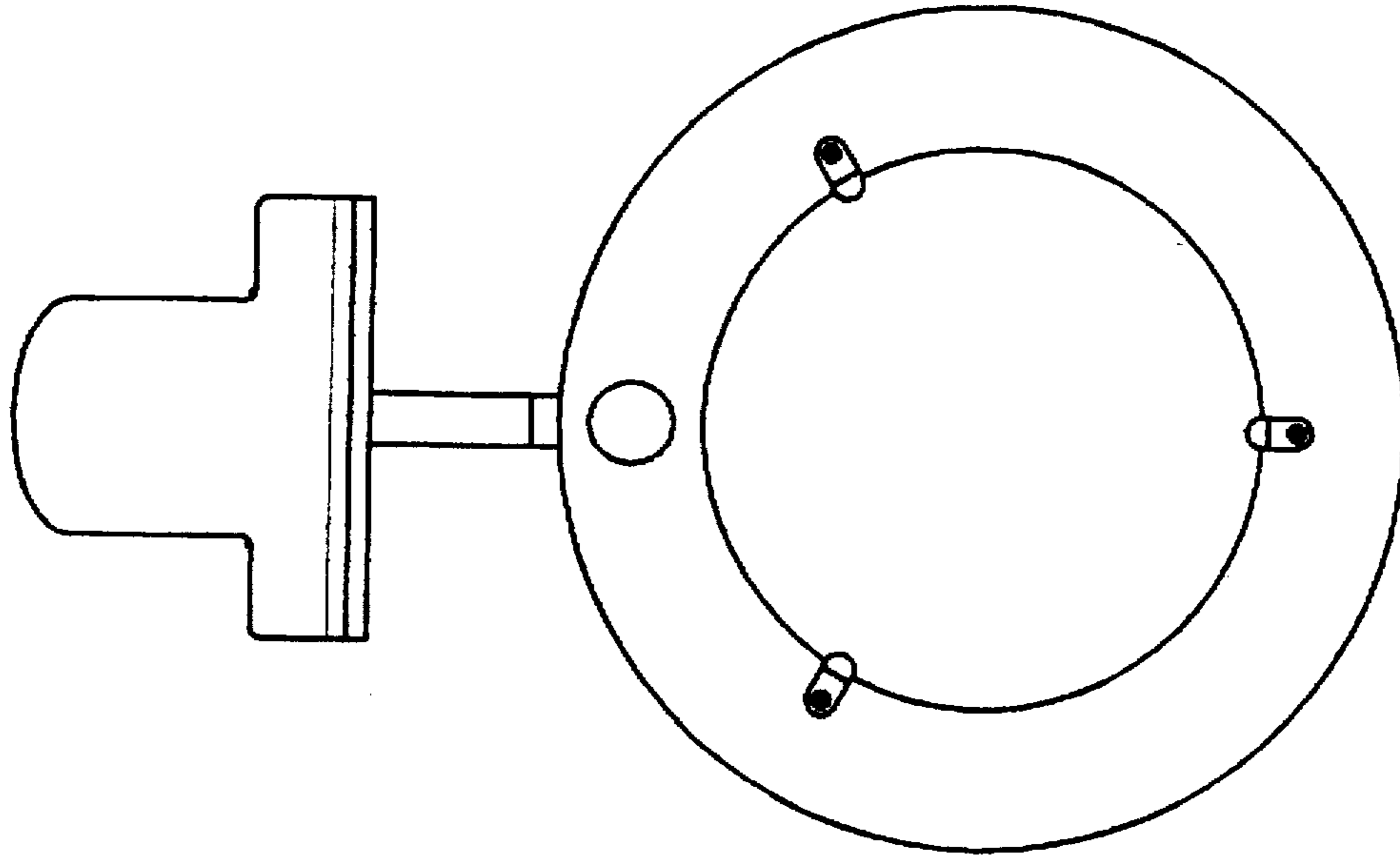


FIG. 7

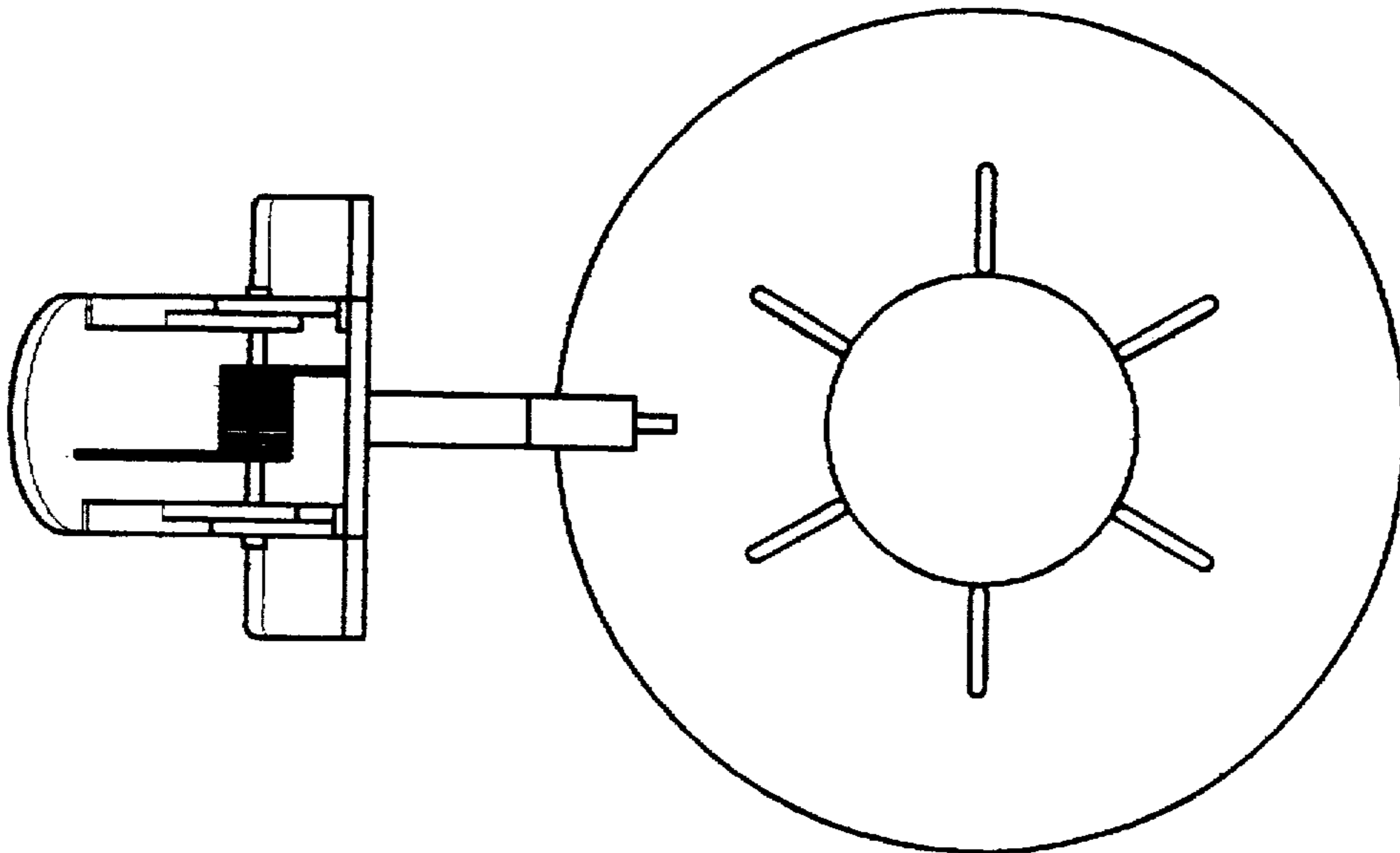


FIG. 6

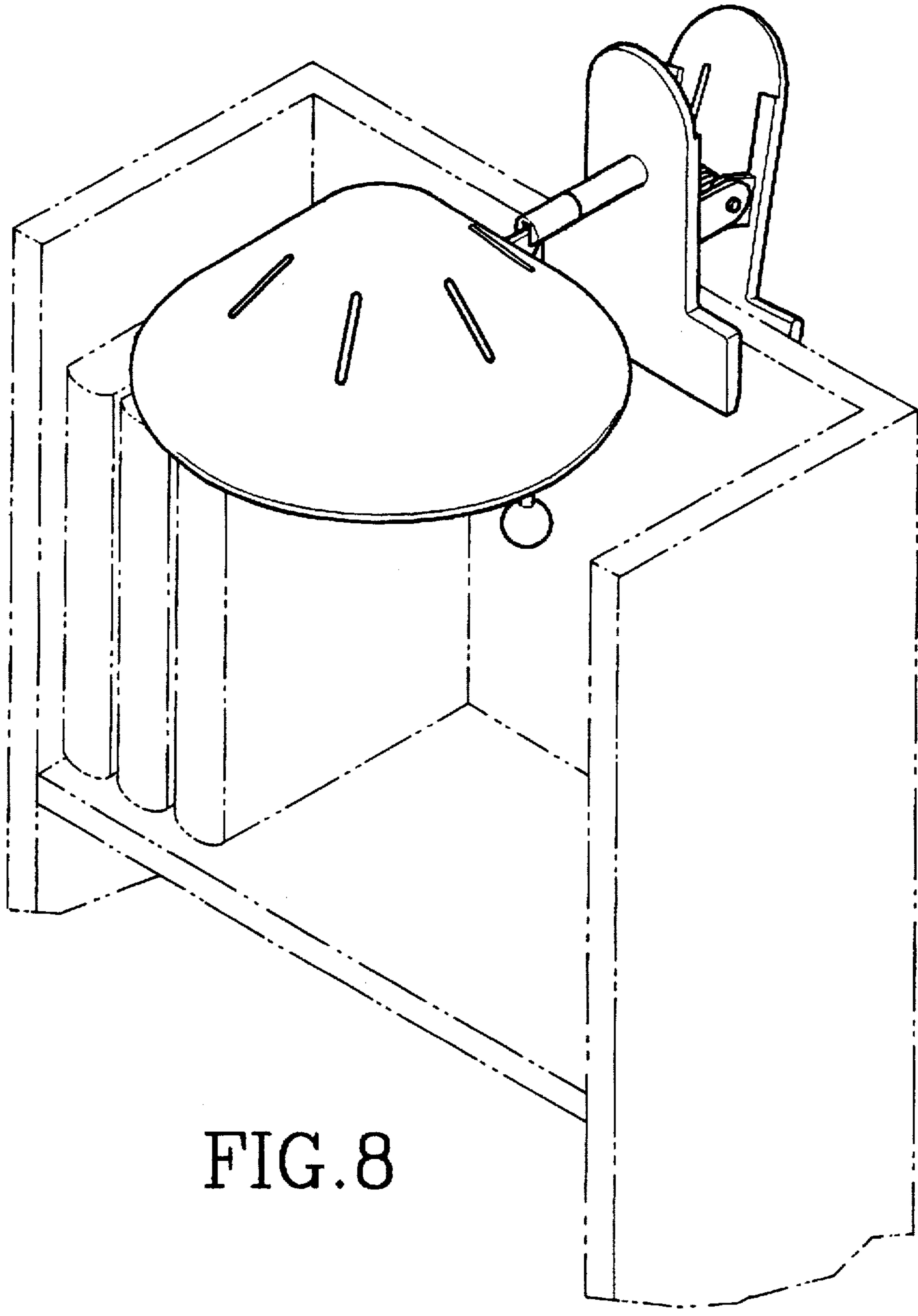


FIG. 8