



US00D391377S

# United States Patent [19]

Langlie et al.

[11] Patent Number: **Des. 391,377**

[45] Date of Patent: **\*\*Feb. 24, 1998**

[54] **FENCE POST CAP INSULATOR**

[75] Inventors: **Ronald H. Langlie; Jon A. Berg**, both of Ellendale, Minn.

[73] Assignee: **North Central Plastics, Ellendale, Minn.**

[\*\*] Term: **14 Years**

[21] Appl. No.: **63,334**

[22] Filed: **Dec. 5, 1996**

[51] LOC (6) Cl. .... **25-01**

[52] U.S. Cl. .... **D25/135**

[58] Field of Search ..... **D25/135; 52/300, 52/301; 174/163 F, 138 F, 169, 176, 182, 186, 161 F, 158 F**

[56] **References Cited**

**U.S. PATENT DOCUMENTS**

D. 239,039	3/1976	Hirst	.....	D25/135
2,791,625	5/1957	Swanson	.....	174/161 F
5,600,927	2/1997	Kennon	.....	52/301

*Primary Examiner*—Doris Clark  
*Attorney, Agent, or Firm*—Merchant, Gould, Smith, Edell, Welter & Schmidt, P.A.

[57] **CLAIM**

The ornamental design for a fence post cap insulator, as shown and described.

**DESCRIPTION**

FIG. 1 shows a perspective view of the fence post cap insulator of the present invention;  
 FIG. 2 shows a side view of the fence post cap insulator of FIG. 1, with the opposite side being identical;  
 FIG. 3 shows a front view of the fence post cap insulator of FIG. 1;  
 FIG. 4 shows a back view of the fence post cap insulator of FIG. 1;  
 FIG. 5 shows a top view of the fence post cap insulator of FIG. 1;  
 FIG. 6 shows a bottom view of the fence post cap insulator of FIG. 1.

**1 Claim, 3 Drawing Sheets**

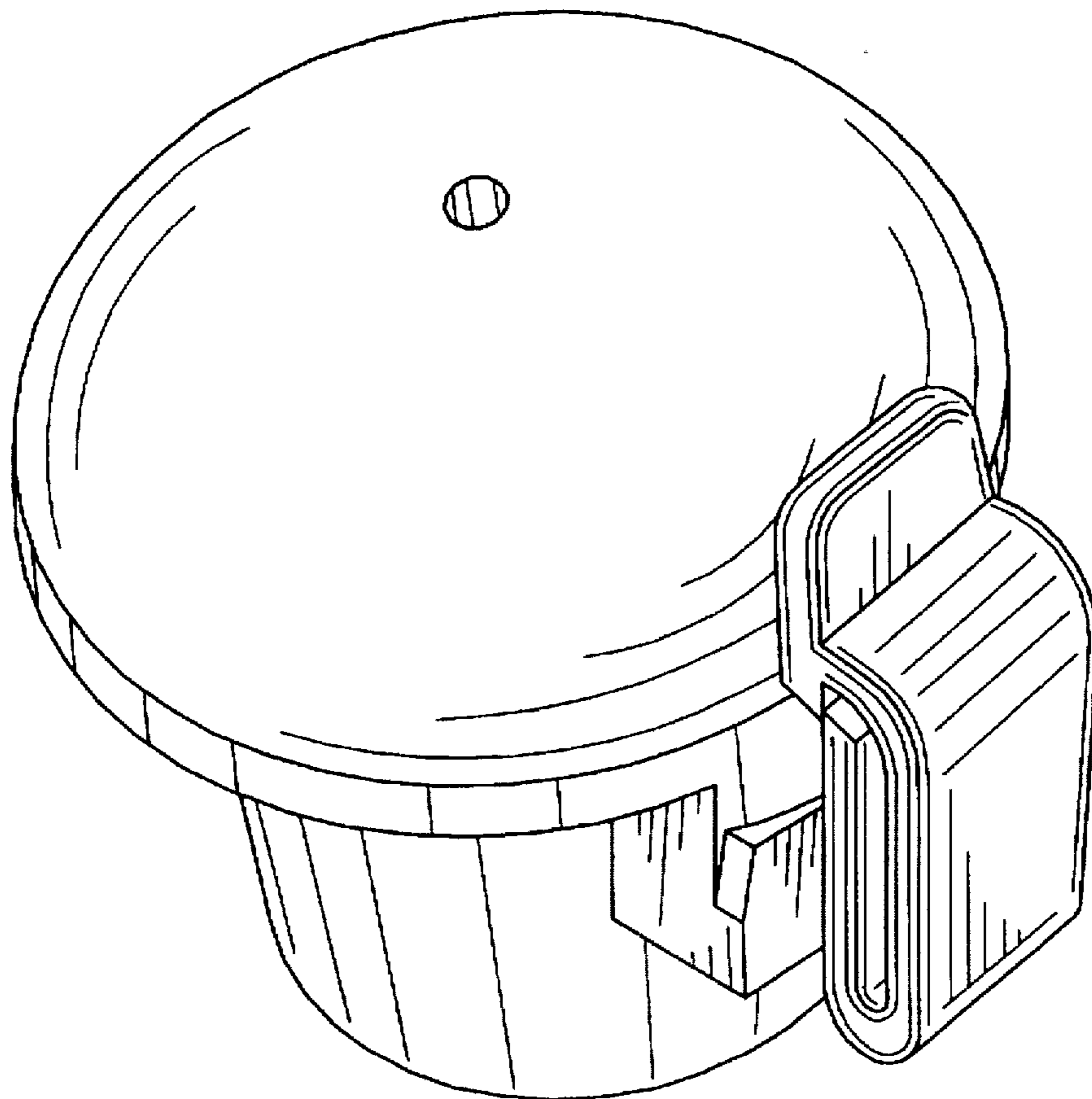


FIG. 1

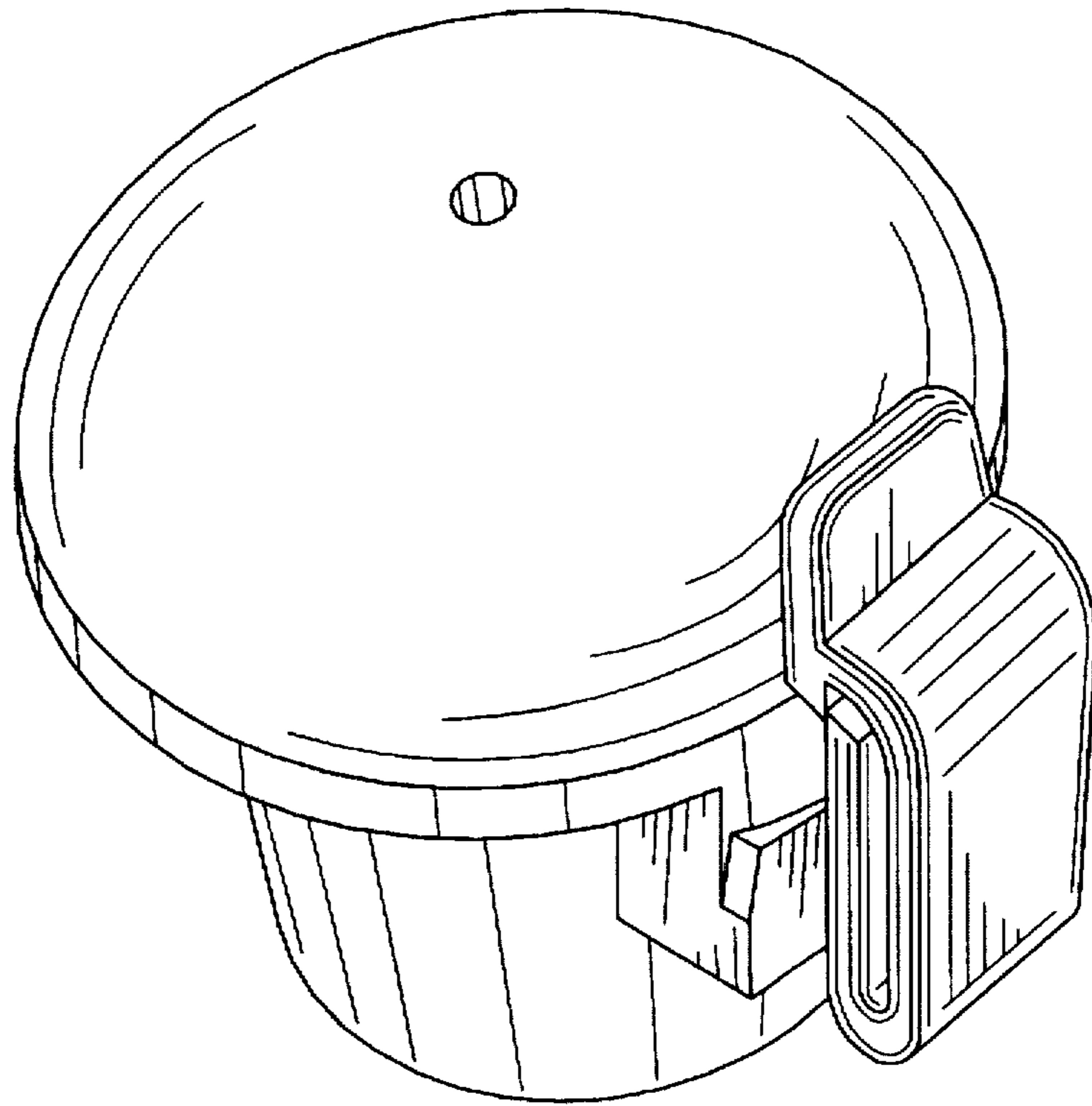


FIG. 2

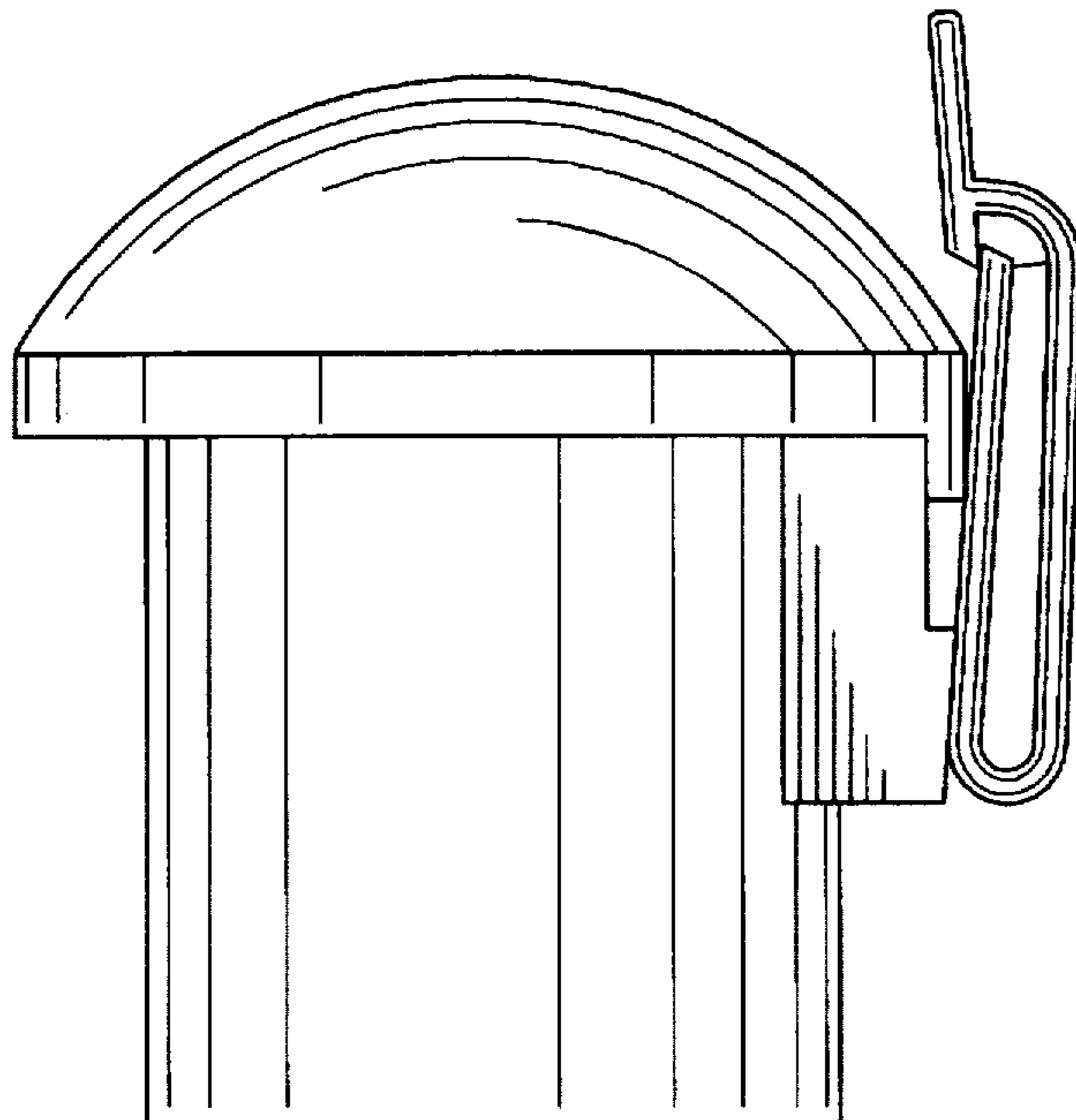


FIG. 3

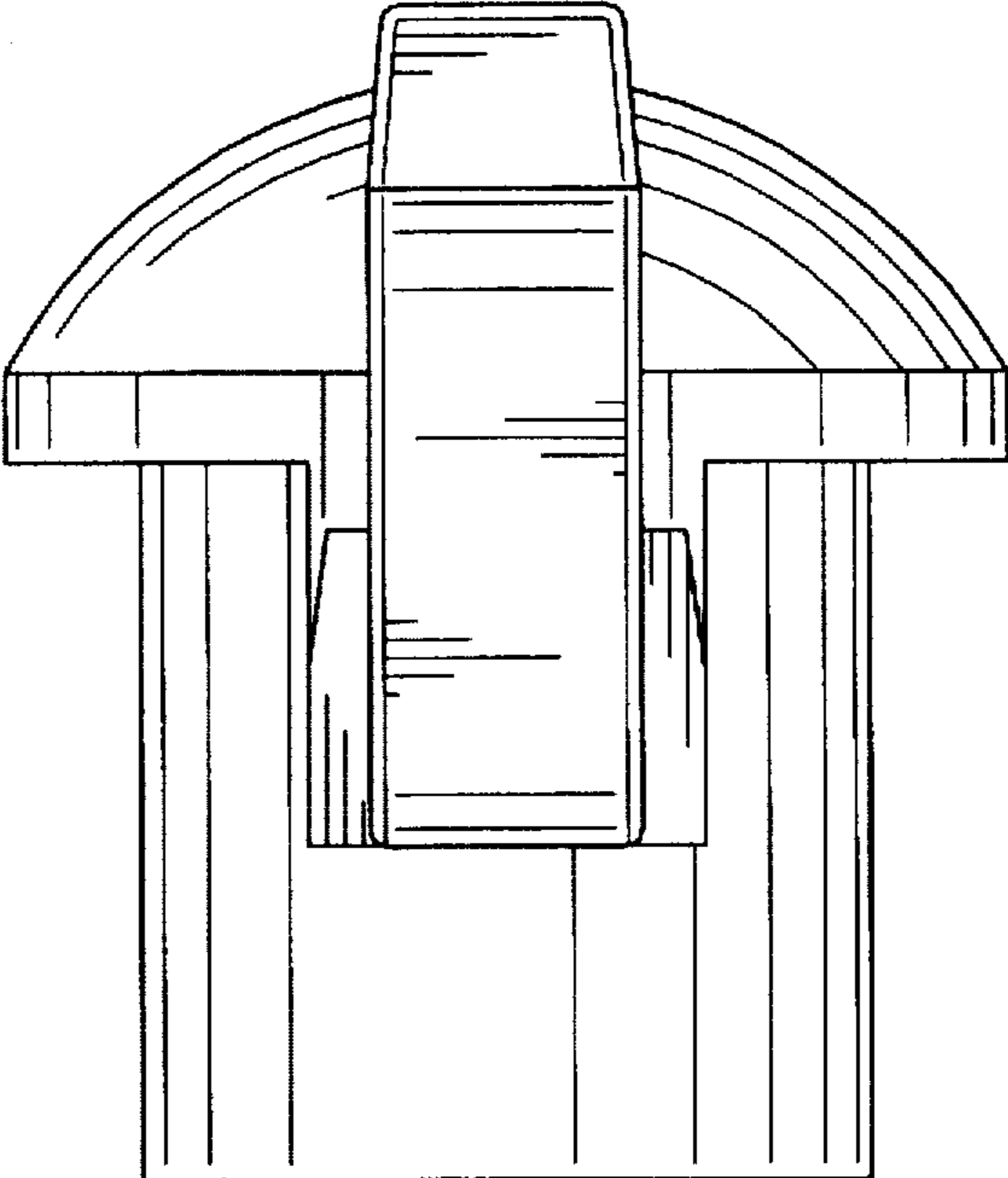


FIG. 4

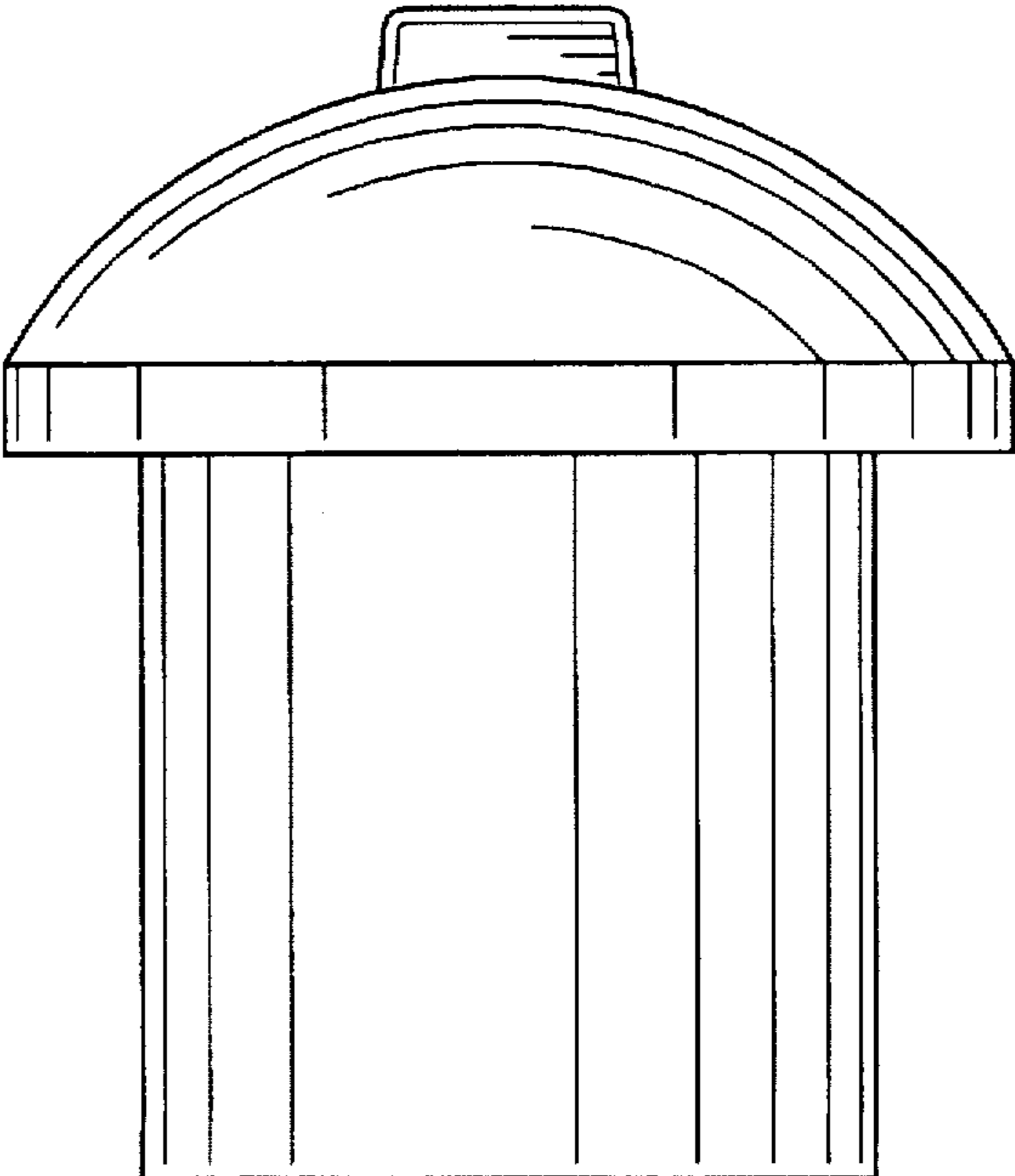


FIG. 5

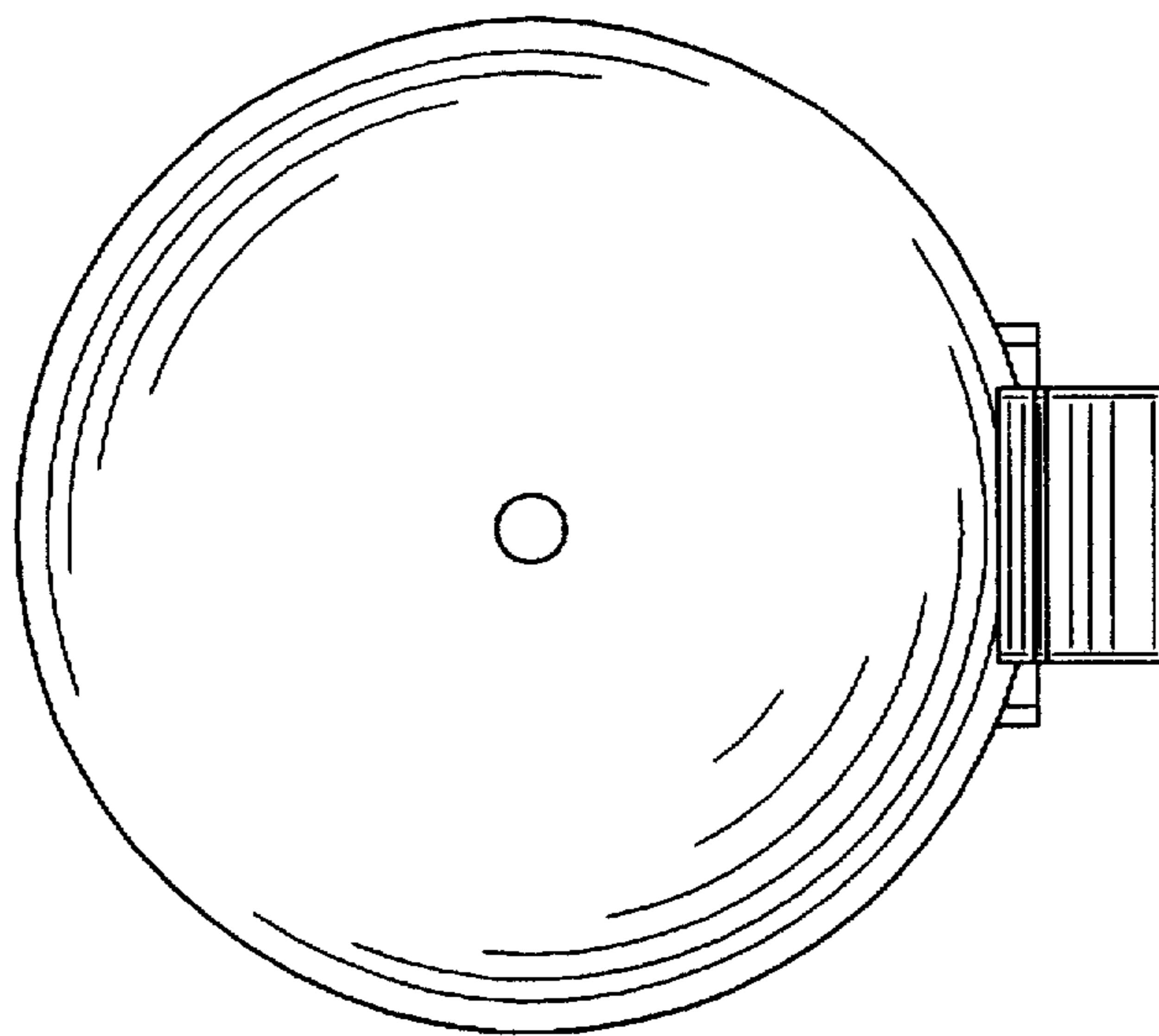


FIG. 6

