



US00D391375S

United States Patent [19]

Karsten et al.

[11] Patent Number: Des. 391,375

[45] Date of Patent: **Feb. 24, 1998

[54] PHOTOCENTER MERCHANDISING UNIT

[75] Inventors: **Richard A. Karsten**, Forest Hills, N.Y.;
Kiat-Cheong Toh, Singapore,
Singapore; **David W. Bradley**, Chapel
Hill, N.C.

[73] Assignee: **Eastman Kodak Company**, Rochester,
N.Y.

[**] Term: **14 Years**

[21] Appl. No.: **66,686**

[22] Filed: **Feb. 19, 1997**

[51] LOC (6) Cl. **25-03**

[52] U.S. Cl. **D25/16**

[58] Field of Search D25/16; 52/36.1,
52/79.1

[56] **References Cited**

U.S. PATENT DOCUMENTS

D. 353,677	12/1994	Hassett	D25/16
5,072,999	12/1991	Trotta et al.	52/36.1
5,226,266	7/1993	Cemuto	52/79.1

Primary Examiner—Doris Clark
Attorney, Agent, or Firm—Frank Pincelli

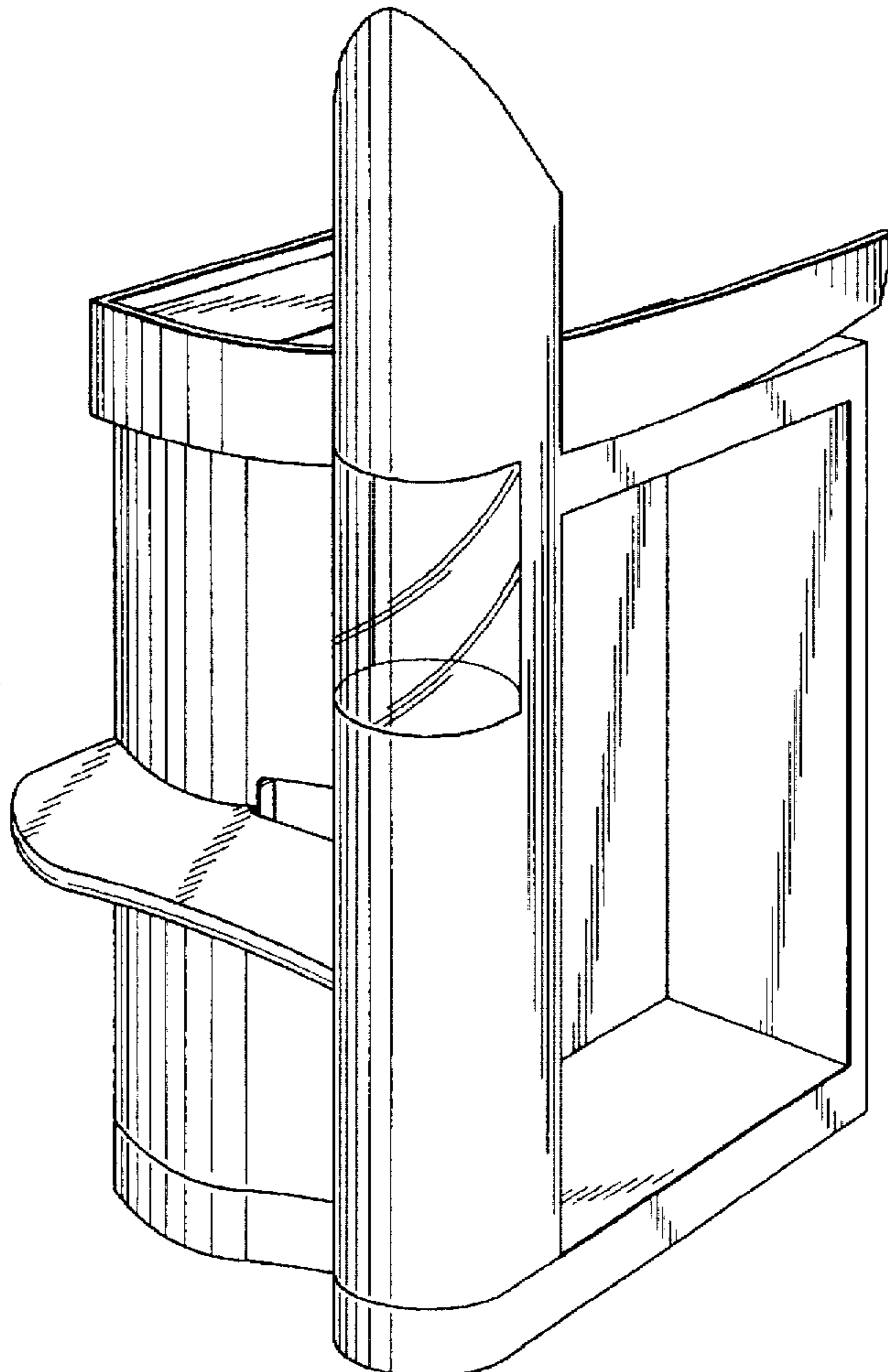
[57] **CLAIM**

The ornamental design for a photocenter merchandising unit, as shown.

DESCRIPTION

FIG. 1 is a front, top, right-side perspective view of a photocenter merchandising unit, showing our new design; FIG. 2 is a front elevational view thereof; FIG. 3 is a top plan view thereof; FIG. 4 is a left-side elevational view thereof; FIG. 5 is a right-side elevational view thereof; FIG. 6 is a front, top, right-side perspective view of a modified photocenter merchandising unit, showing our new design; FIG. 7 is a front elevational view of FIG. 6; FIG. 8 is a left-side elevational view of FIG. 6; and, FIG. 9 is a right-side elevational view of FIG. 6.

1 Claim, 9 Drawing Sheets



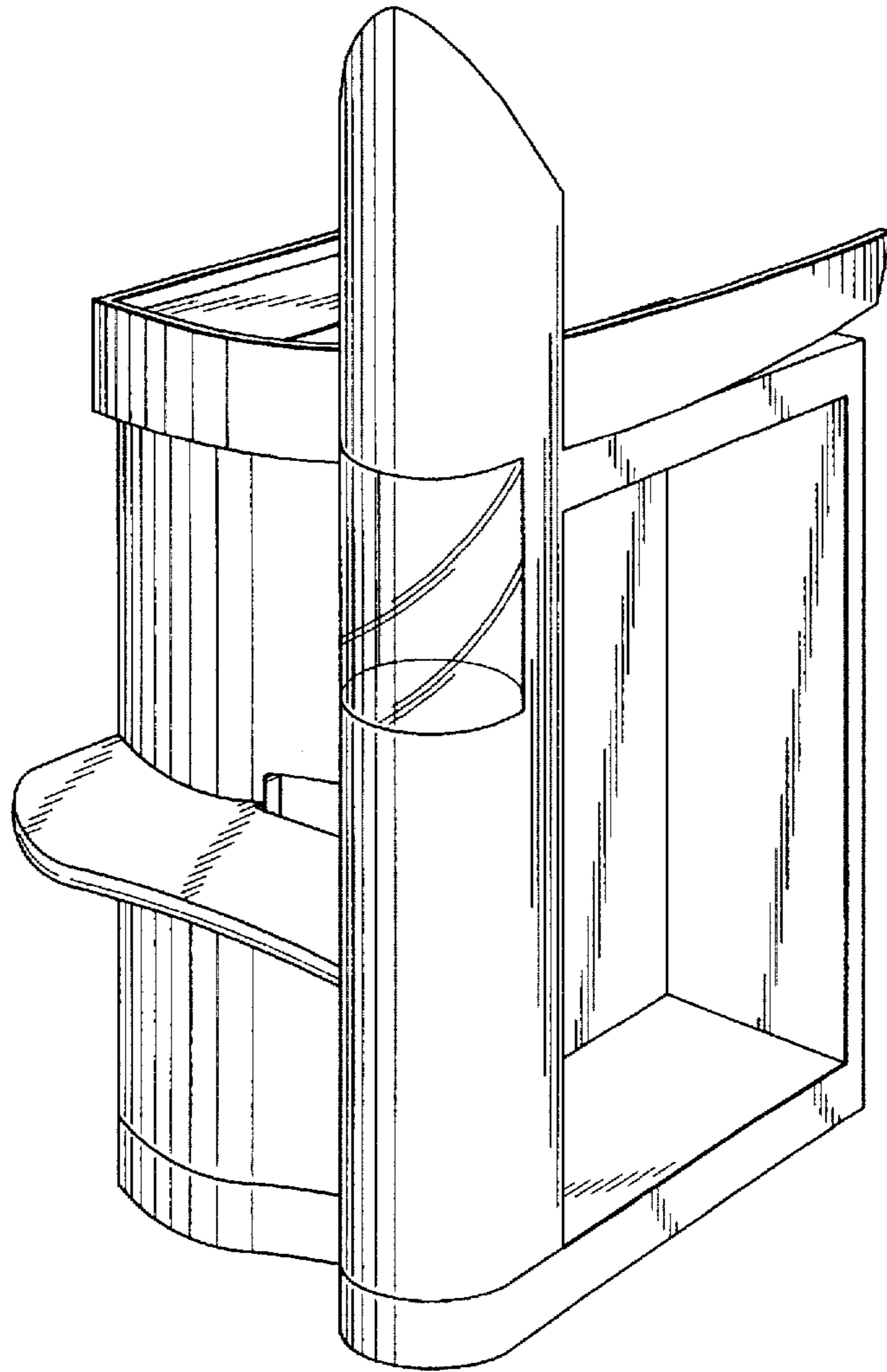


FIG. 1

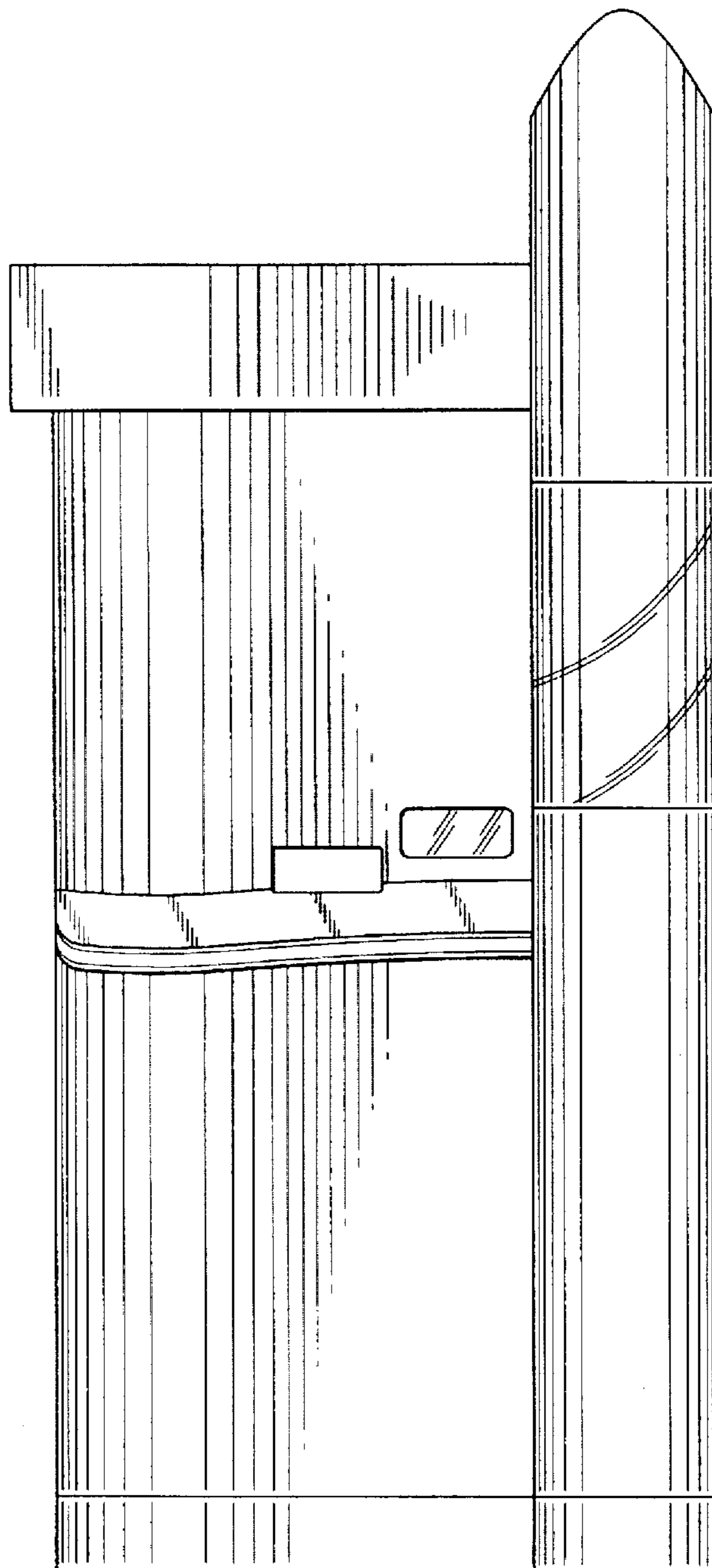


FIG. 2

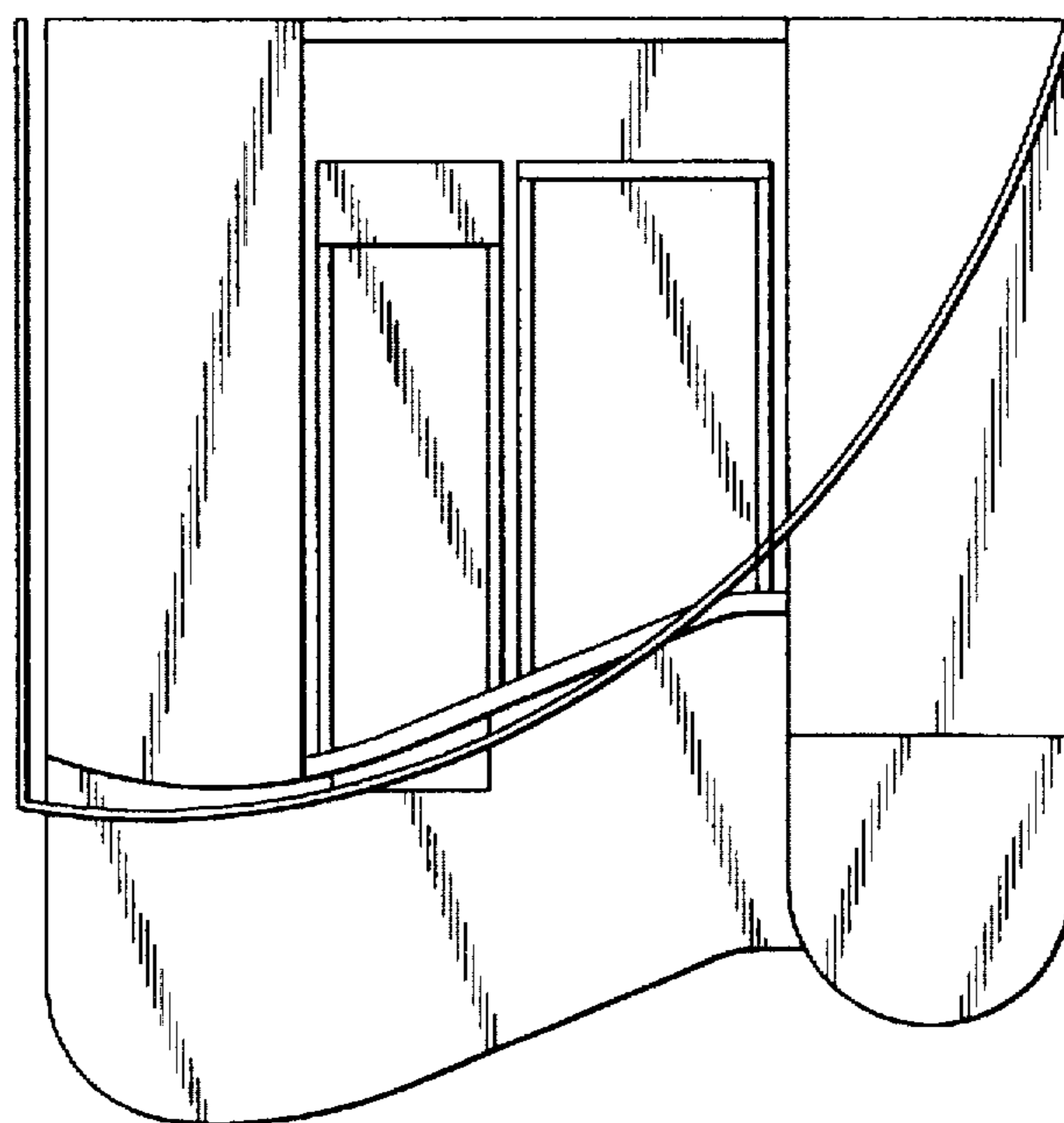


FIG. 3

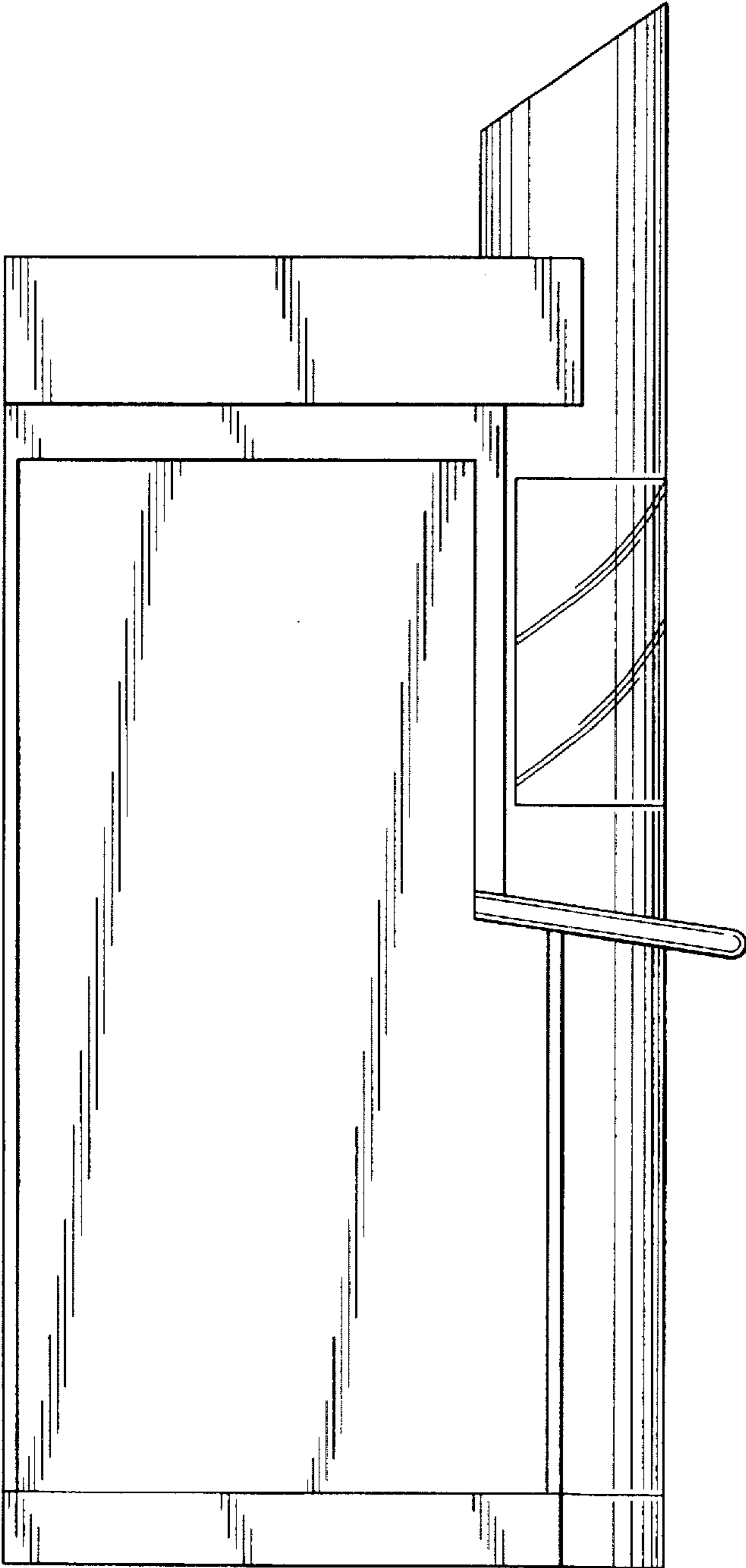


FIG. 4

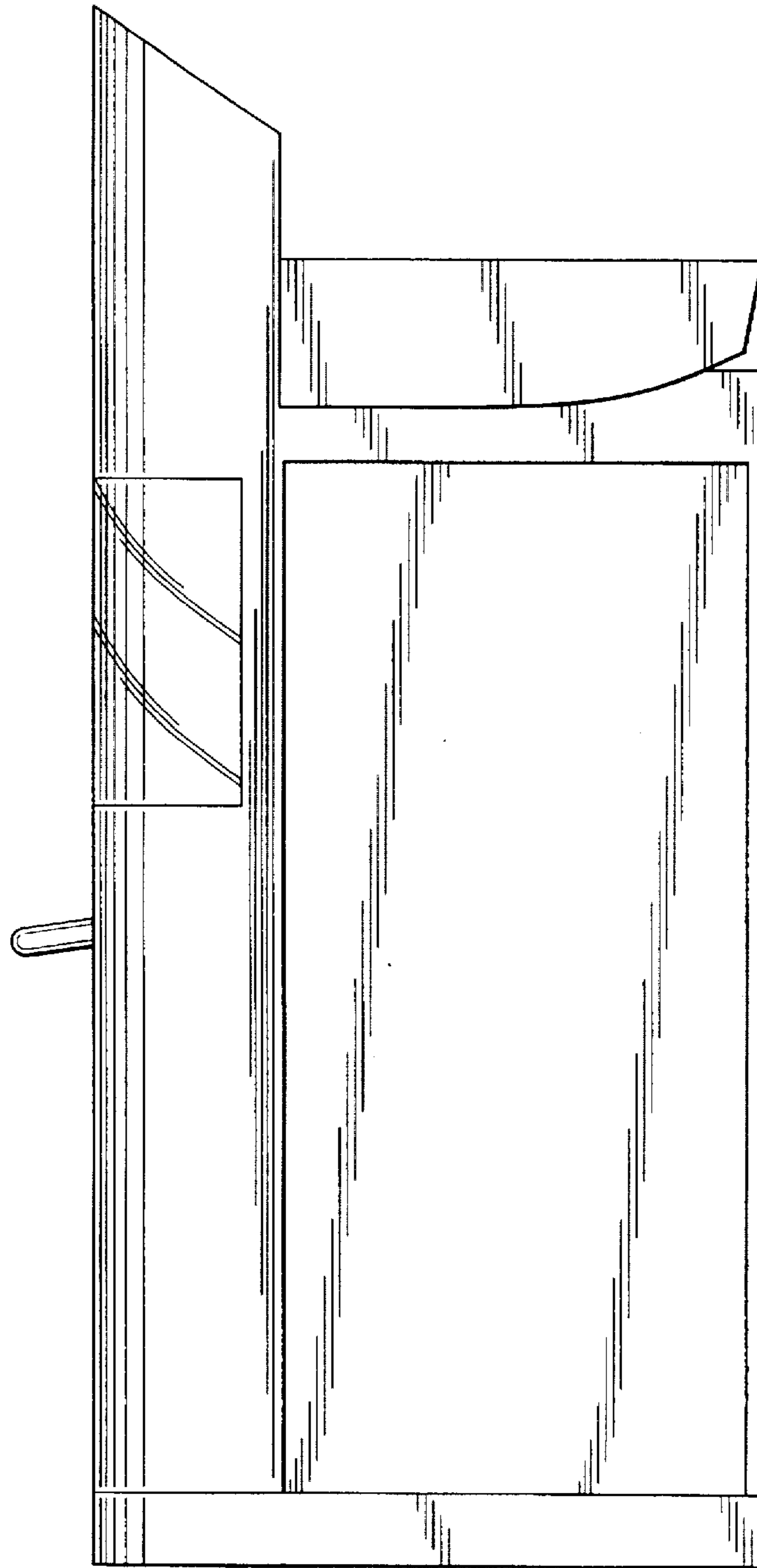


FIG. 5

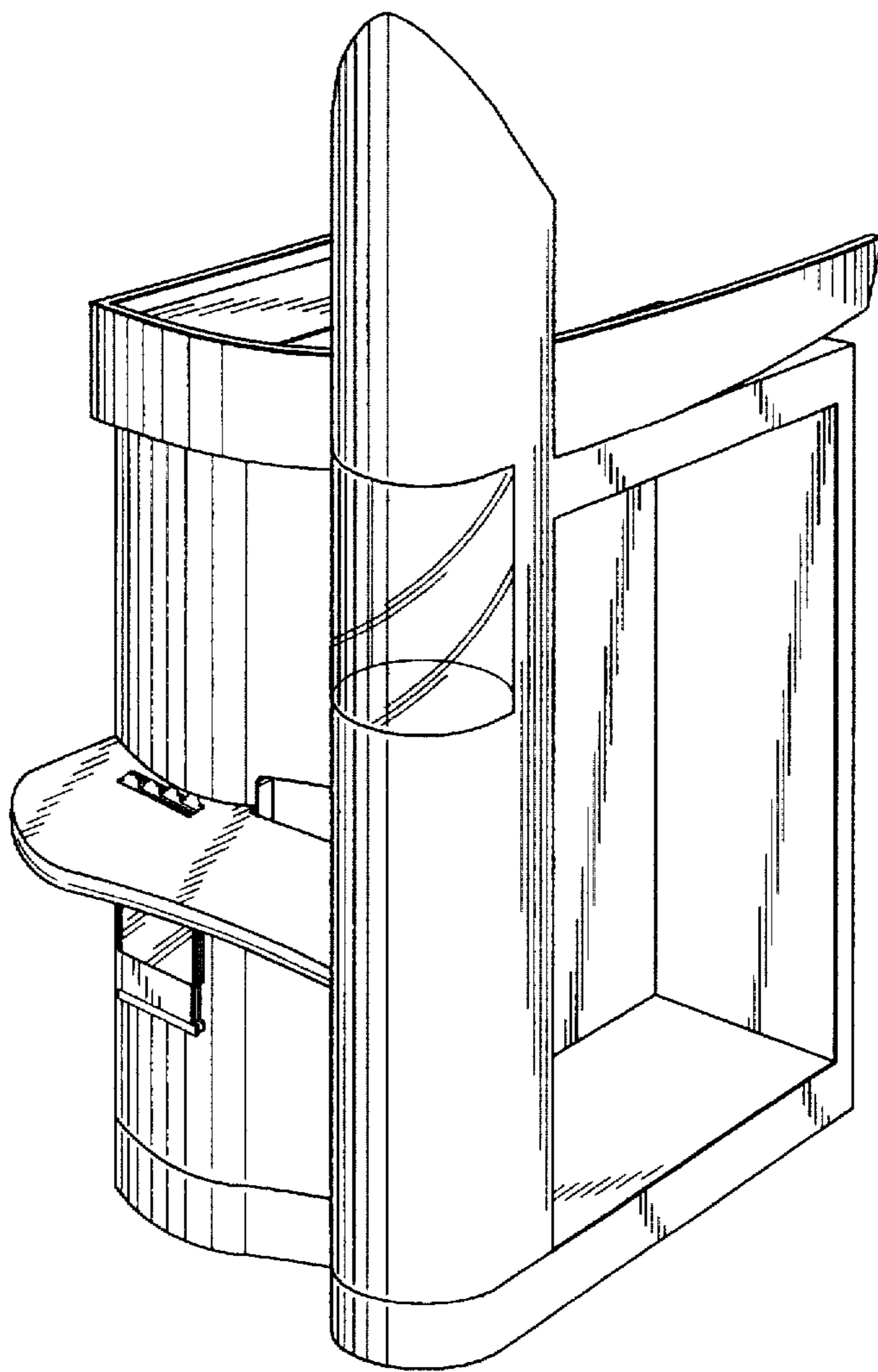


FIG. 6

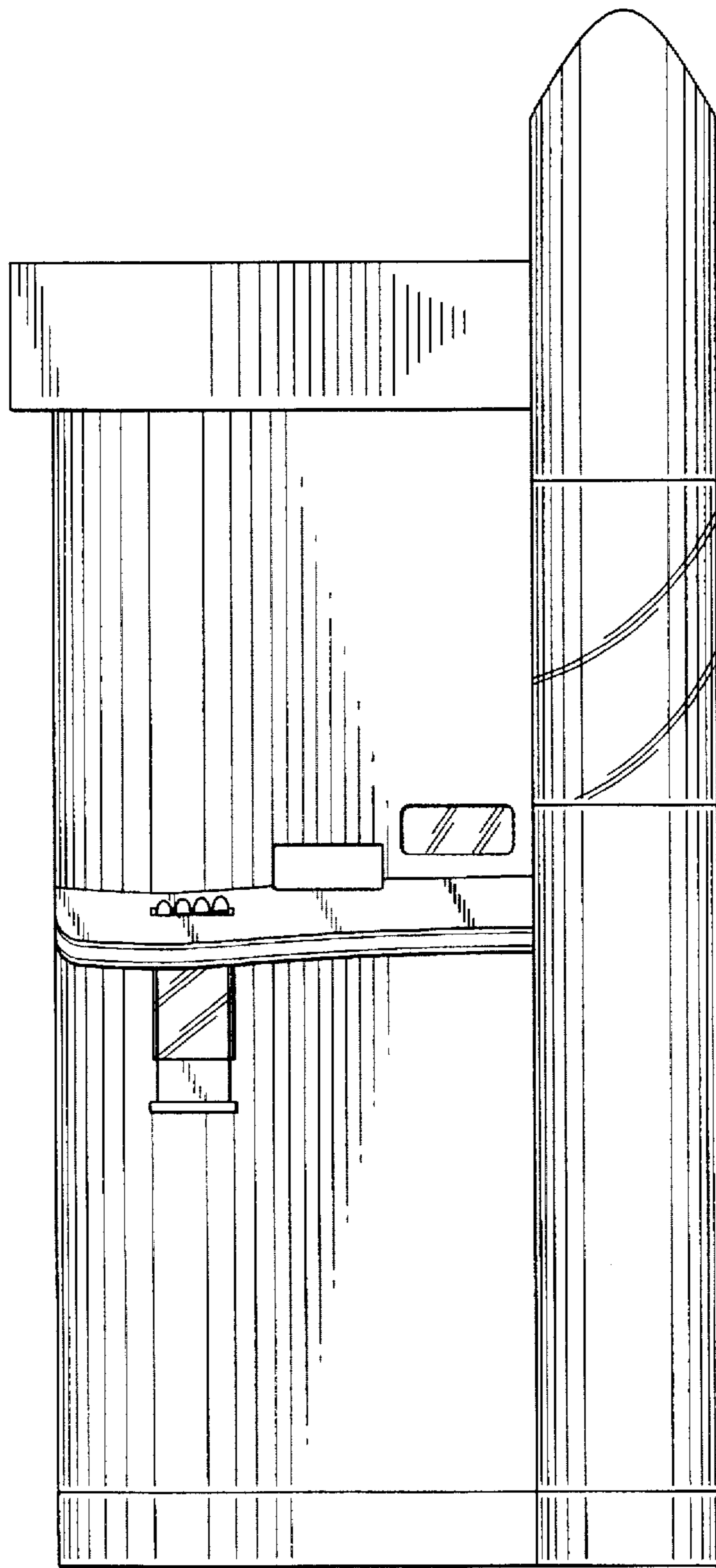


FIG. 7

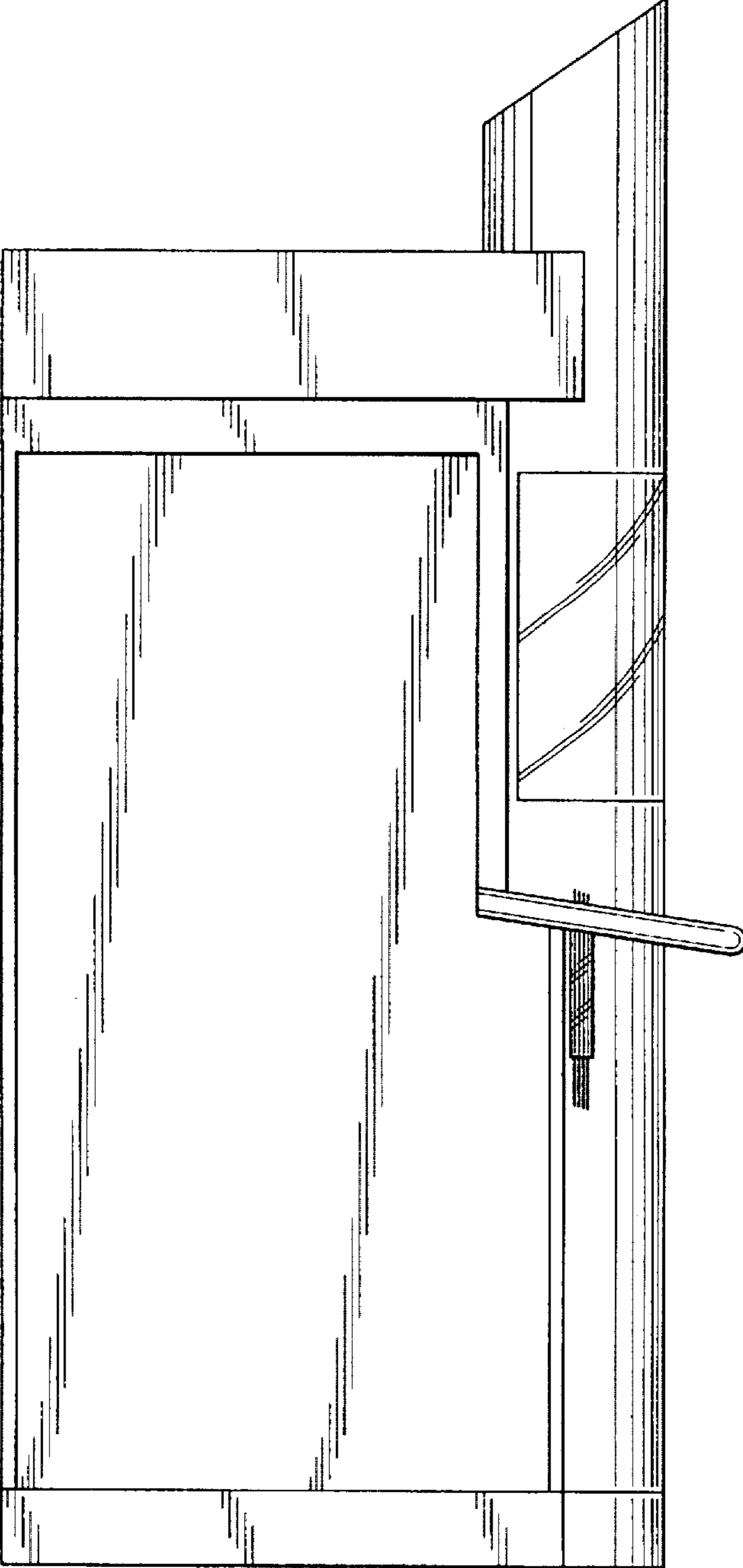


FIG. 8

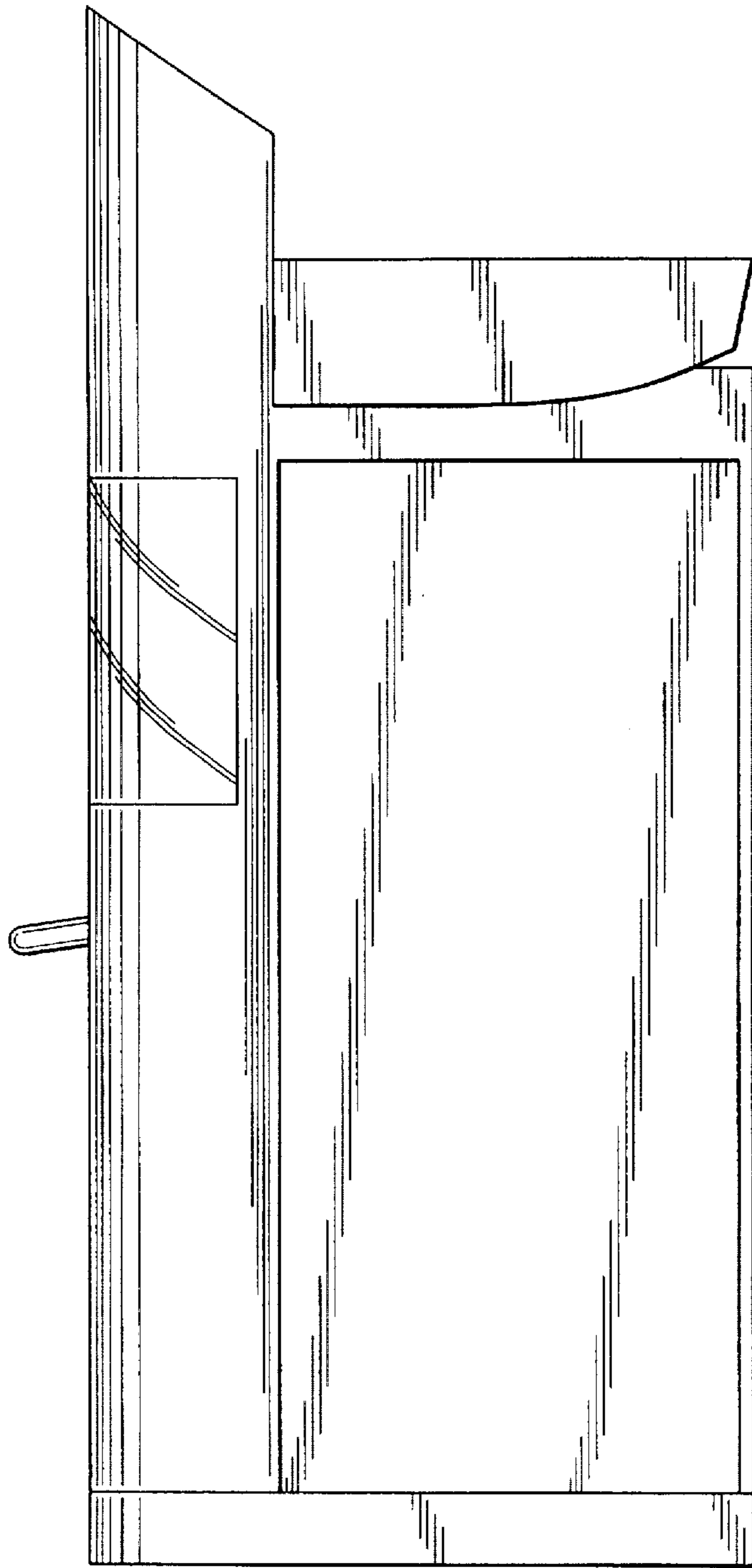


FIG. 9